



US00D619152S

(12) **United States Design Patent**  
**Evatt et al.**

(10) **Patent No.:** **US D619,152 S**  
(45) **Date of Patent:** **\*\* Jul. 6, 2010**

(54) **ADAPTER**

3,308,703 A 3/1967 Sauer  
3,440,915 A 4/1969 Weyant  
3,623,281 A 11/1971 Moffat

(75) Inventors: **Thomas Evatt**, Six Mile, SC (US);  
**Jason Brandenburg**, Anderson, SC  
(US)

(Continued)

(73) Assignee: **Techtronic Power Tools Technology Limited**, Tortola (VG)

FOREIGN PATENT DOCUMENTS

(\*\*) Term: **14 Years**

DE 10061559 A1 6/2002

(21) Appl. No.: **29/352,311**

(Continued)

(22) Filed: **Dec. 18, 2009**

*Primary Examiner*—Sandra Snapp  
*Assistant Examiner*—Patricia Palasik  
(74) *Attorney, Agent, or Firm*—Michael Best & Friedrich LLP

(51) **LOC (9) Cl.** ..... **15-09**

(52) **U.S. Cl.** ..... **D15/138**

(58) **Field of Classification Search** ..... D8/70,  
D8/71, 354, 399; D15/138, 139, 140; D23/47,  
D23/262; 411/145, 146, 313, 531, 532, 534–544,  
411/545, 546, 547

(57) **CLAIM**

See application file for complete search history.

We claim the ornamental design for an adapter, as shown and described in the figures.

(56) **References Cited**

**DESCRIPTION**

U.S. PATENT DOCUMENTS

81,661 A	9/1868	McDonald	
197,650 A	11/1877	Milligan	
223,103 A	12/1879	Berstler	
241,178 A	5/1881	Amazeen	
390,134 A	9/1888	Miller	
519,892 A	5/1894	Newton	
742,000 A	10/1903	Brooks	
1,947,662 A	2/1934	Robinson	
2,132,917 A	10/1938	Albertson	
2,550,768 A	5/1951	Burleigh	
2,649,868 A *	8/1953	Gommel	83/665
2,822,648 A	2/1958	Metzger et al.	
2,846,826 A	8/1958	Miller	
2,854,042 A	9/1958	Robinson	
2,912,021 A	11/1959	Gommel	
2,997,819 A	8/1961	Schacht	
3,041,797 A	7/1962	Moffly	

FIG. 1 is a perspective view of an adapter embodying the invention, with the adapter shown with a tool arbor for illustrative purposes.

FIG. 2 is a left side view of the adapter shown in FIG. 1.

FIG. 3 is a right side view of the adapter shown in FIG. 1.

FIG. 4 is a bottom view of the adapter shown in FIG. 1.

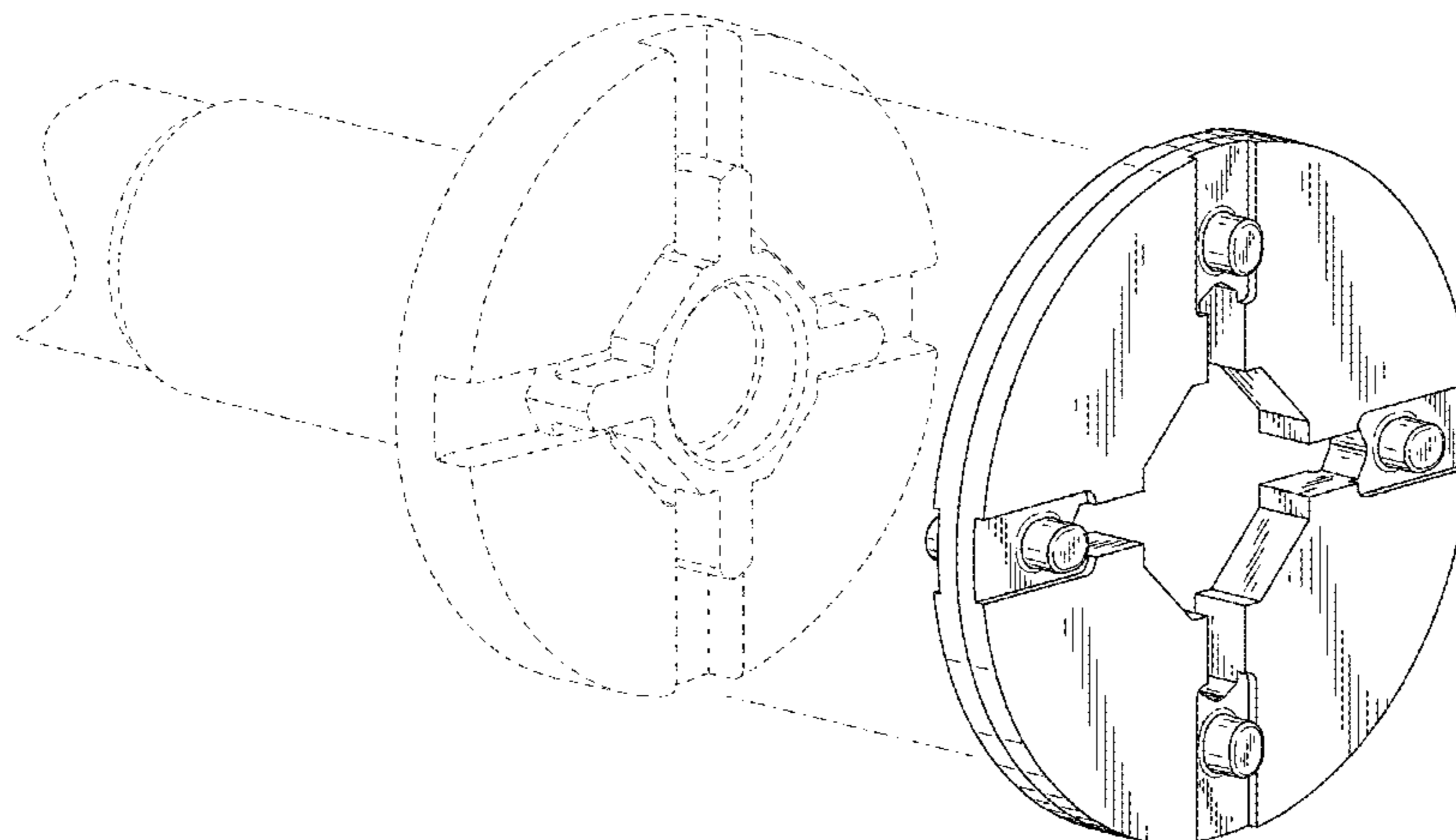
FIG. 5 is a top view of the adapter shown in FIG. 1.

FIG. 6 is a front view of the adapter shown in FIG. 1; and,

FIG. 7 is a rear view of the adapter shown in FIG. 1.

The portions of FIG. 1 shown in broken lines are included for the purpose of illustrating environment and form no part of the claimed design.

**1 Claim, 3 Drawing Sheets**



# US D619,152 S

U.S. PATENT DOCUMENTS					
			6,293,859	B1	9/2001 Fink et al.
			6,299,078	B1	10/2001 Fugere
			6,306,024	B1	10/2001 Kai et al.
			6,332,836	B1	12/2001 Tseng
			6,340,022	B1	1/2002 Schroer
			6,349,446	B1	2/2002 Krause et al.
			6,361,424	B1	3/2002 Manor et al.
			6,371,837	B1	4/2002 Luedeke
			6,379,236	B1	4/2002 Takizawa et al.
			6,401,342	B1	6/2002 Kloss et al.
			D466,597	S *	12/2002 Carr ..... D23/329
			6,503,253	B1	1/2003 Fletcher et al.
			6,520,055	B1	2/2003 Reusch et al.
			6,523,214	B1	2/2003 Kaiser
			6,533,650	B2	3/2003 Yoshida et al.
			6,569,001	B2	5/2003 Rudolf et al.
			6,629,484	B2	10/2003 Soyama et al.
			6,640,377	B2	11/2003 Krause et al.
			6,699,112	B2	3/2004 Bergner et al.
			6,723,101	B2	4/2004 Fletcher et al.
			6,749,493	B2	6/2004 Wuensch
			D493,683	S	8/2004 Hortenbury et al.
			6,780,093	B2	8/2004 Krondorfer et al.
			6,786,811	B2	9/2004 Krondorfer et al.
			6,796,888	B2	9/2004 Jasch
			6,802,127	B2	10/2004 Thomaschewski
			6,802,764	B2	10/2004 Besch
			6,814,655	B2	11/2004 Hofmann et al.
			6,814,657	B2	11/2004 Spangenberg et al.
			6,827,074	B2	12/2004 Gardner
			6,860,792	B2	3/2005 Krondorfer et al.
			6,869,346	B2	3/2005 Wendt et al.
			6,902,471	B2	6/2005 Krondorfer et al.
			6,942,558	B2	9/2005 Wuensch
			6,942,560	B2	9/2005 Hofmann et al.
			6,945,862	B2	9/2005 Jasch et al.
			7,000,606	B2	2/2006 Gardner
			7,077,734	B2	7/2006 Tiede et al.
			7,077,735	B2	7/2006 Krondorfer et al.
			7,097,548	B2	8/2006 Krondorfer et al.
			D528,407	S *	9/2006 Schwab ..... D8/399
			7,108,077	B2	9/2006 Zaiser
			7,115,027	B2	10/2006 Thomaschewski
			7,115,028	B1	10/2006 Chen
			7,137,329	B1	11/2006 Moser
			7,143,760	B2	12/2006 Gardner
			7,169,025	B2	1/2007 Schumacher
			7,201,644	B2	4/2007 Gardner
			7,207,873	B2	4/2007 Hesse et al.
			7,217,177	B2	5/2007 Frech et al.
			7,273,412	B1	9/2007 Sun et al.
			7,313,838	B2	1/2008 Long et al.
			7,402,095	B2	7/2008 Gardner
			7,438,629	B2	10/2008 Bosten et al.
			7,506,877	B1	3/2009 Henderson et al.
			7,510,464	B2	3/2009 Stierle et al.
			7,527,628	B2	5/2009 Fletcher et al.
			7,588,484	B2	9/2009 Momosaki
			2002/0016143	A1	2/2002 Bosten et al.
			2002/0022444	A1	2/2002 Littlefield
			2003/0000716	A1	1/2003 Hofmann et al.
			2003/0153254	A1	8/2003 Bosten et al.
			2004/0192180	A1	9/2004 Bosten et al.
			2004/0243136	A1	12/2004 Gupta et al.
			2005/0153640	A1	7/2005 Stein et al.
			2006/0150428	A1	7/2006 Baculy
			2006/0272468	A1	12/2006 Gupta et al.
			2007/0094877	A1	5/2007 Bohne et al.
			2007/0295156	A1	12/2007 Ziegler et al.
			2008/0003929	A1	1/2008 Degen
			2008/0017007	A1	1/2008 Weber et al.
			2008/0029134	A1	2/2008 Long et al.
			2008/0057846	A1	3/2008 Schumacher
3,667,169	A	6/1972 MacKay, Jr.			
3,908,499	A	9/1975 Reed			
3,943,934	A	3/1976 Bent			
4,015,371	A	4/1977 Grayston			
4,343,214	A	8/1982 Schadlich			
4,393,626	A	7/1983 Schroer			
4,432,264	A	2/1984 Scott			
4,436,006	A	3/1984 Nakamura et al.			
4,436,009	A	3/1984 Ask			
4,461,195	A	7/1984 Barnick			
D276,310	S *	11/1984 Frieberg ..... D8/399			
4,497,141	A	2/1985 Jarby			
4,637,170	A	1/1987 Block			
4,657,428	A	4/1987 Wiley			
4,683,683	A	8/1987 Block			
4,700,478	A	10/1987 Mezger et al.			
4,706,386	A	11/1987 Wiley			
4,730,952	A *	3/1988 Wiley ..... 403/316			
4,787,147	A	11/1988 Wiley			
4,852,261	A	8/1989 Wittek			
4,905,420	A	3/1990 Flachenecker et al.			
4,989,320	A	2/1991 Borkott et al.			
D315,667	S *	3/1991 Johnson ..... D8/354			
5,038,478	A	8/1991 Mezger et al.			
D327,111	S *	6/1992 Hemming ..... D8/399			
5,263,283	A	11/1993 Rudolf et al.			
5,265,340	A	11/1993 Nitz et al.			
5,292,352	A	3/1994 Rudolf et al.			
5,303,688	A	4/1994 Chiuminatta et al.			
5,309,805	A	5/1994 Mezger et al.			
5,319,886	A	6/1994 Steere, Jr.			
5,366,312	A	11/1994 Raines			
5,373,834	A	12/1994 Chiuminatta et al.			
5,382,249	A	1/1995 Fletcher			
5,468,247	A	11/1995 Matthai et al.			
5,477,845	A	12/1995 Zuzelo			
5,482,499	A	1/1996 Satoh			
5,491,896	A	2/1996 Stolzer et al.			
5,496,316	A	3/1996 Goris			
5,554,066	A	9/1996 Bosten et al.			
5,555,788	A	9/1996 Gakhar et al.			
5,597,347	A	1/1997 Bosten et al.			
5,601,483	A	2/1997 Rudolf et al.			
5,626,510	A	5/1997 Bergner et al.			
5,637,034	A	6/1997 Everts et al.			
5,681,213	A	10/1997 Hashii			
5,694,693	A	12/1997 Hutchins et al.			
5,702,415	A	12/1997 Matthai et al.			
5,709,595	A	1/1998 Bergner et al.			
5,729,904	A	3/1998 Trott			
5,743,791	A	4/1998 Bosten et al.			
5,749,770	A	5/1998 Uzumcu et al.			
5,759,094	A	6/1998 Bosten et al.			
5,842,278	A	12/1998 Gmeilbauer			
5,846,244	A	12/1998 Cripe			
5,901,629	A	5/1999 Stroud			
5,911,620	A	6/1999 Spangenberg et al.			
5,967,886	A	10/1999 Wuensch et al.			
6,004,194	A	12/1999 Hild et al.			
6,022,353	A	2/2000 Fletcher et al.			
6,042,460	A	3/2000 Bosten et al.			
D424,076	S *	5/2000 Dibbern et al. .... D15/140			
6,099,311	A	8/2000 Wagner et al.			
6,099,397	A	8/2000 Wurst			
6,110,028	A	8/2000 Chung			
6,129,618	A	10/2000 Frech			
6,142,858	A	11/2000 Luedeke			
6,155,916	A	12/2000 Rudolf et al.			
6,159,084	A	12/2000 Tiede			
6,257,969	B1	7/2001 Bosten et al.			
6,277,012	B1	8/2001 Halliley			

# US D619,152 S

Page 3

---

2008/0160886 A1 7/2008 Palushaj  
2008/0190259 A1 8/2008 Bohne  
2008/0210212 A1 9/2008 Baratta  
2009/0013540 A1 1/2009 Bohne  
2009/0083916 A1 4/2009 Lampka et al.  
2009/0209186 A1 8/2009 Krauss et al.  
2009/0293696 A1 12/2009 Rauscher et al.  
2009/0318065 A1 12/2009 Zaiser et al.  
2010/0052269 A1 3/2010 Zaiser et al.  
2010/0056029 A1 3/2010 Grunikiewicz

## FOREIGN PATENT DOCUMENTS

DE 20309329 U1 8/2003  
DE 102007039367 A1 3/2008  
DE 102008027671 A1 12/2009  
EP 1213107 A1 6/2002  
EP 1302286 A1 4/2003  
EP 2017036 A1 1/2009  
EP 2143531 A1 1/2010  
WO 2008128813 A1 10/2008

\* cited by examiner



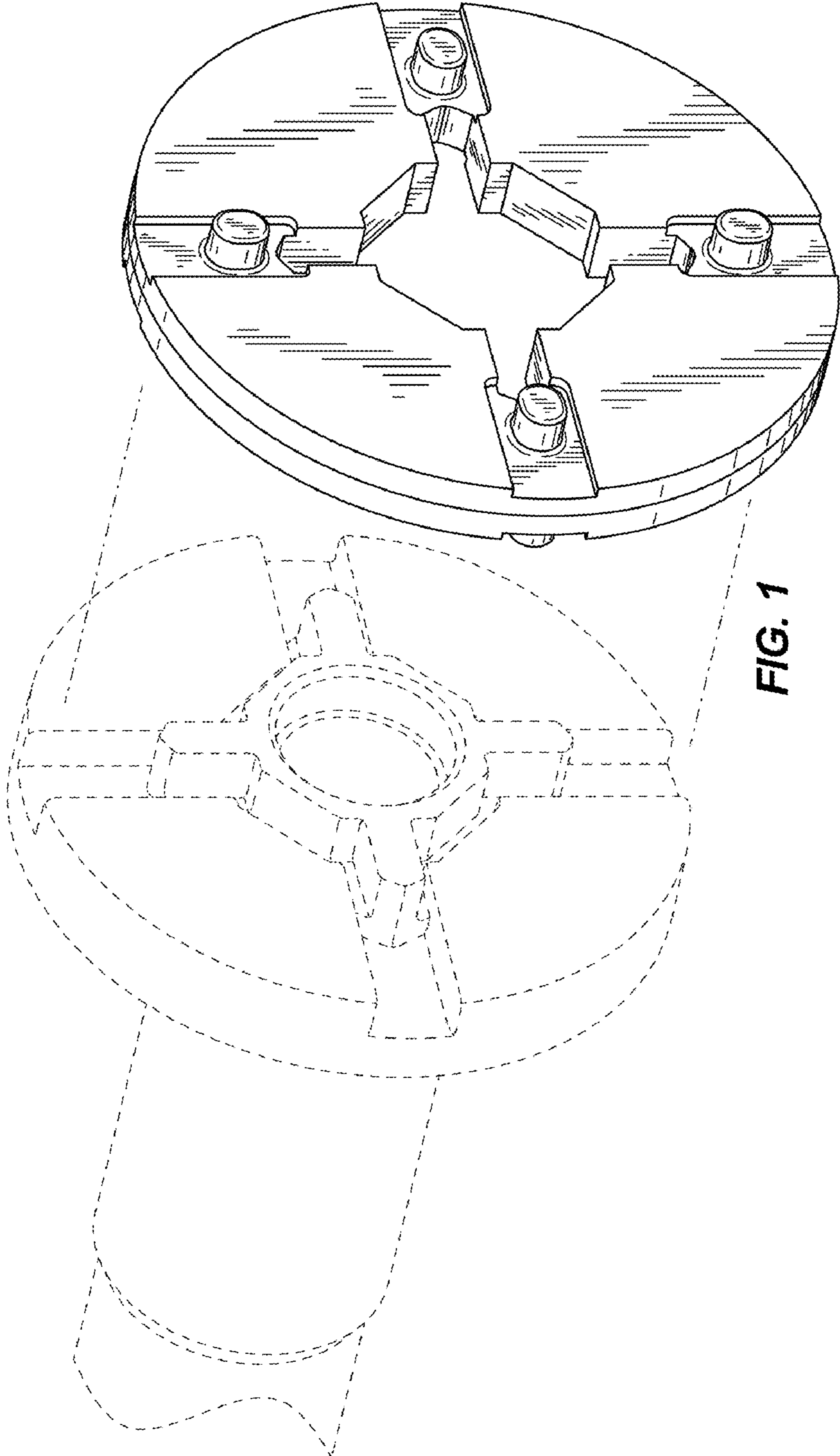
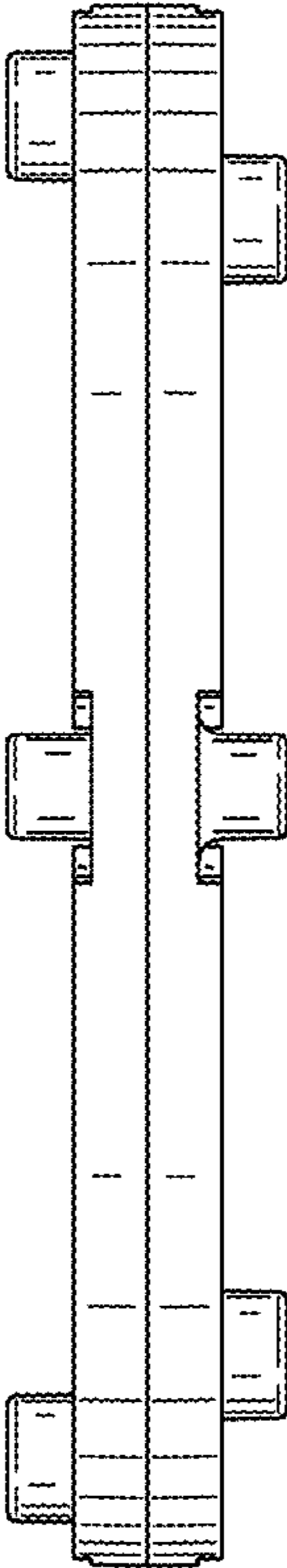
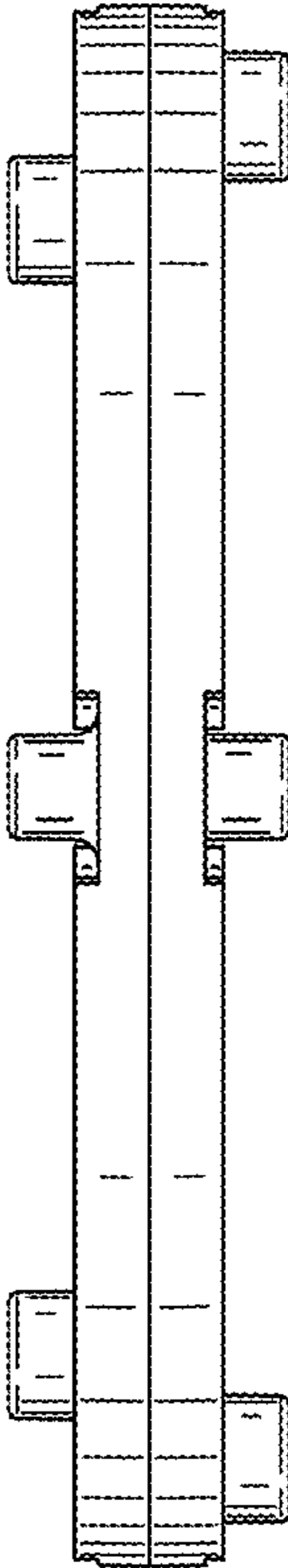


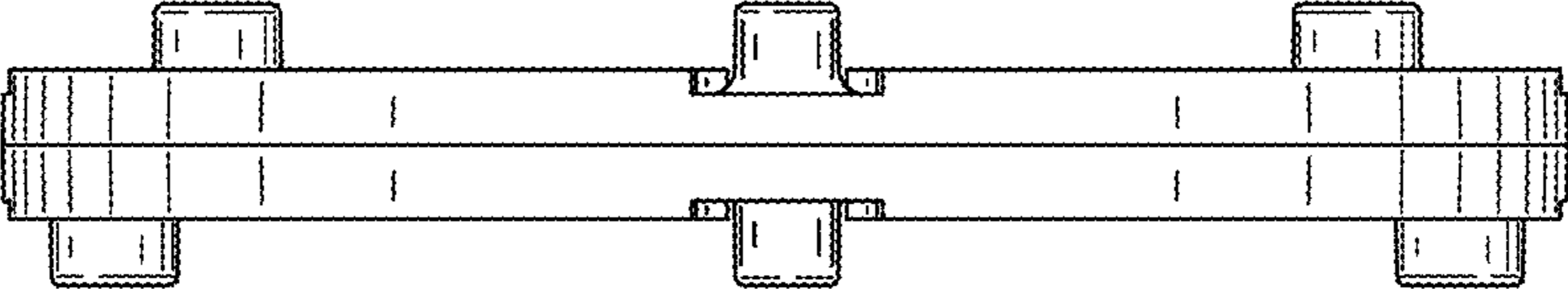
FIG. 1



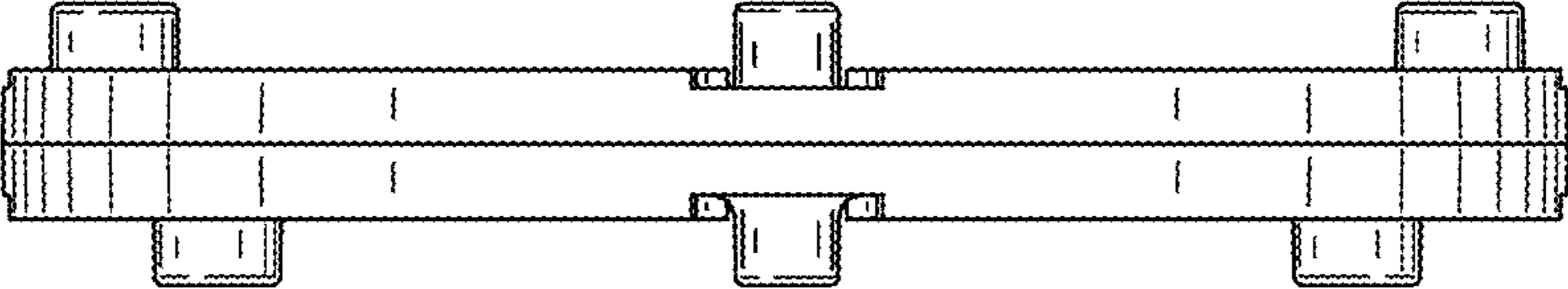
**FIG. 2**



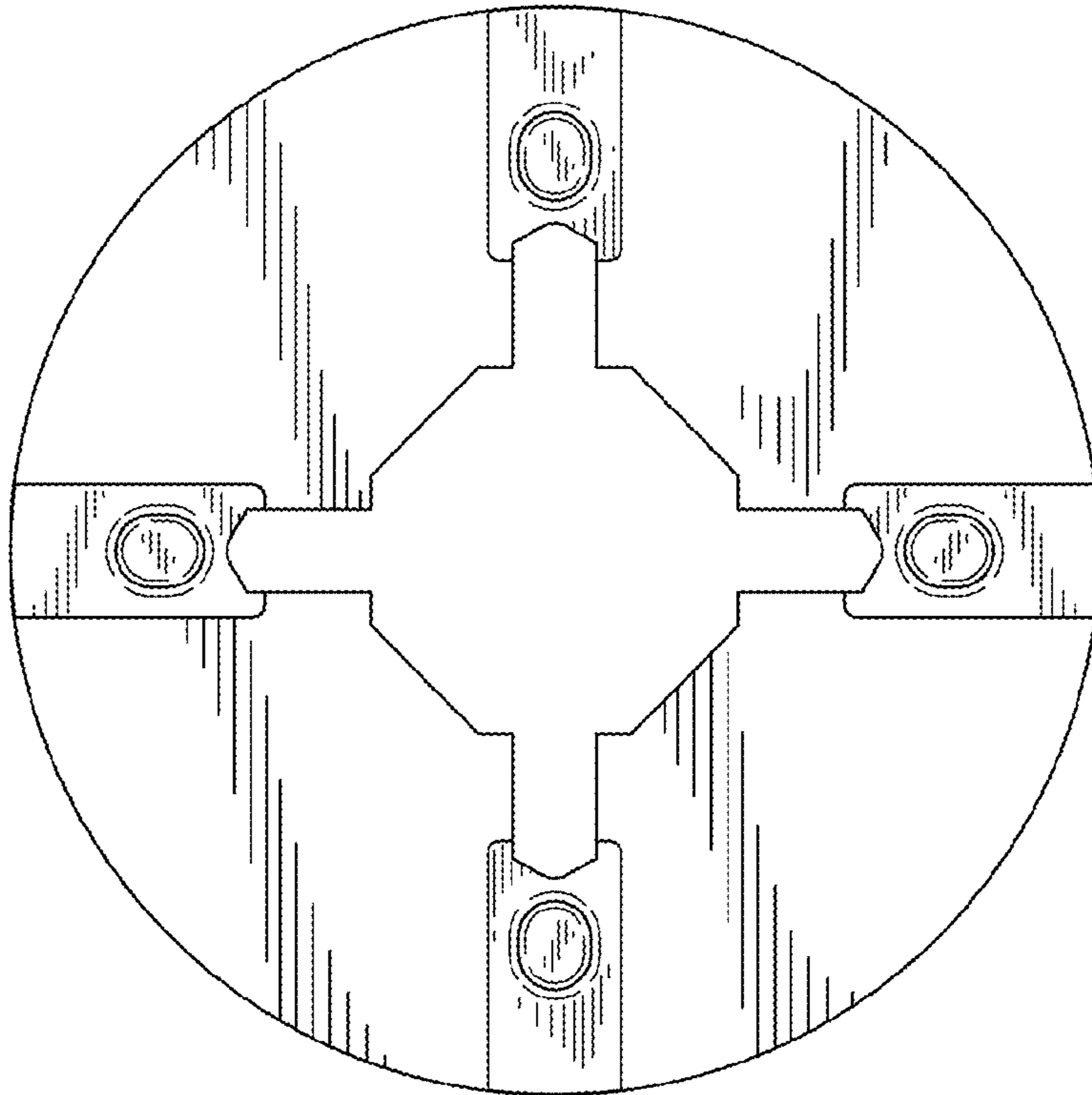
**FIG. 3**



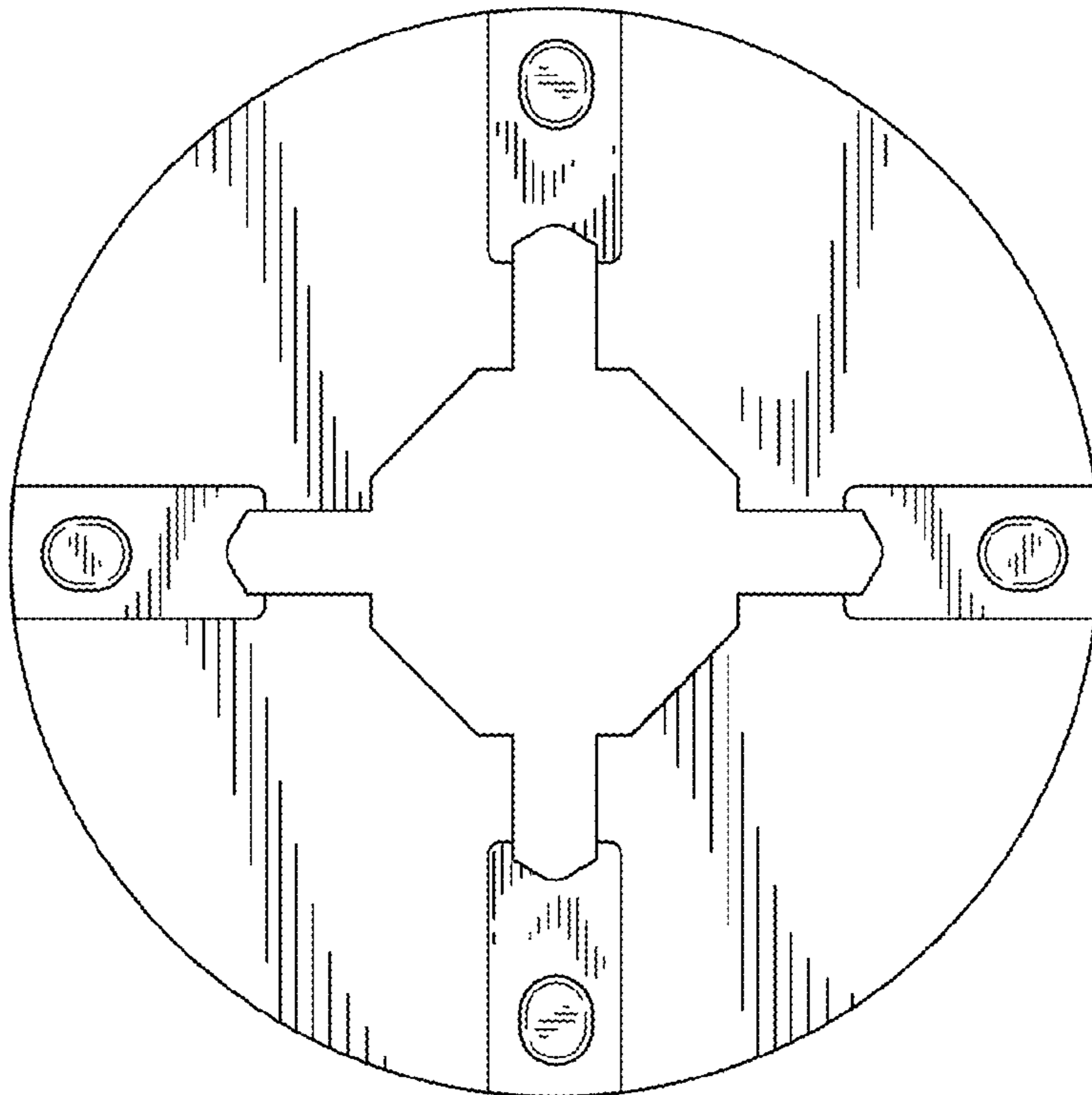
**FIG. 4**



**FIG. 5**



**FIG. 6**



**FIG. 7**