



US00D619150S

(12) **United States Design Patent**
Crorey

(10) **Patent No.:** **US D619,150 S**

(45) **Date of Patent:** **** Jul. 6, 2010**

(54) **FRIENDSHIP BRACELET MAKER**

D238,812 S * 2/1976 Fioretti D15/78
D257,257 S * 10/1980 McArthur D15/66
6,719,013 B1 4/2004 D'Estais
7,147,008 B2 12/2006 Saylor
D563,997 S * 3/2008 Gustin D15/78

(76) Inventor: **David J. Crorey**, 44265 Riverview
Ridge Dr., Clinton Township, MI (US)
48038

(**) Term: **14 Years**

* cited by examiner

(21) Appl. No.: **29/331,467**

Primary Examiner—Shanda C Hill

(22) Filed: **Jan. 27, 2009**

(74) *Attorney, Agent, or Firm*—Young Basile

Related U.S. Application Data

(63) Continuation-in-part of application No. 29/331,467,
filed on Jan. 27, 2009.

(57) **CLAIM**

The ornamental design for a friendship bracelet maker, as
shown and described.

(51) **LOC (9) Cl.** **15-06**

(52) **U.S. Cl.** **D15/78**

(58) **Field of Classification Search** D15/66,
D15/72, 78; D6/324, 327; D3/21, 25; 28/151,
28/152; 29/241, 433; 66/4; 139/29
See application file for complete search history.

DESCRIPTION

This application is a continuation-in-part of U.S. Design
application Ser. No. 29/331,467 filed Jan. 27, 2009, pending
which is hereby incorporated by reference in its entirety.

FIG. 1 is a perspective view of a friendship bracelet maker
showing my new design;

FIG. 2 is a left-side view thereof;

FIG. 3 is a rear view thereof;

FIG. 4 is a front view thereof;

FIG. 5 is a right-side view thereof;

FIG. 6 is a top plan view thereof; and,

FIG. 7 is a bottom plan view thereof.

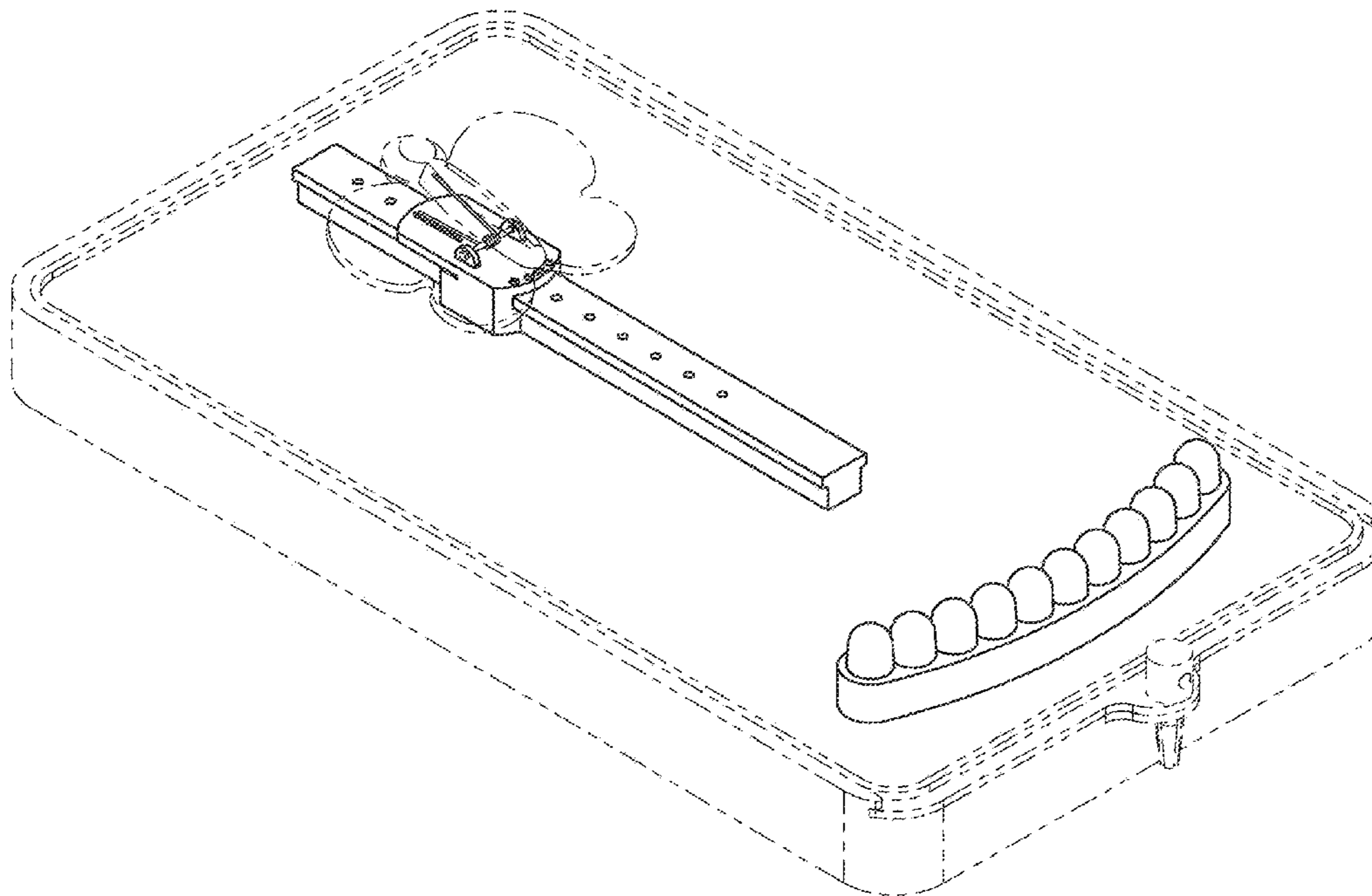
The broken lines shown in the drawing disclosure are for
illustrative purposes only and form no part of the claimed
design. The bottom is fiat and devoid of surface ornamenta-
tion.

(56) **References Cited**

U.S. PATENT DOCUMENTS

758,376 A 4/1904 Mees
2,043,082 A 6/1936 Wallach
2,072,668 A * 3/1937 Eltgroth 66/4
D134,208 S * 10/1942 McCrary D3/21
D142,530 S * 10/1945 Rosenblatt D3/25
2,601,222 A 6/1952 Wehrli
D204,442 S * 4/1966 Brawley, Jr. D15/66
3,545,069 A 12/1970 Krieger
3,650,010 A 3/1972 Powell, Jr.
3,708,862 A 1/1973 Powell, Jr.
3,800,372 A * 4/1974 Daoust 28/152

1 Claim, 7 Drawing Sheets



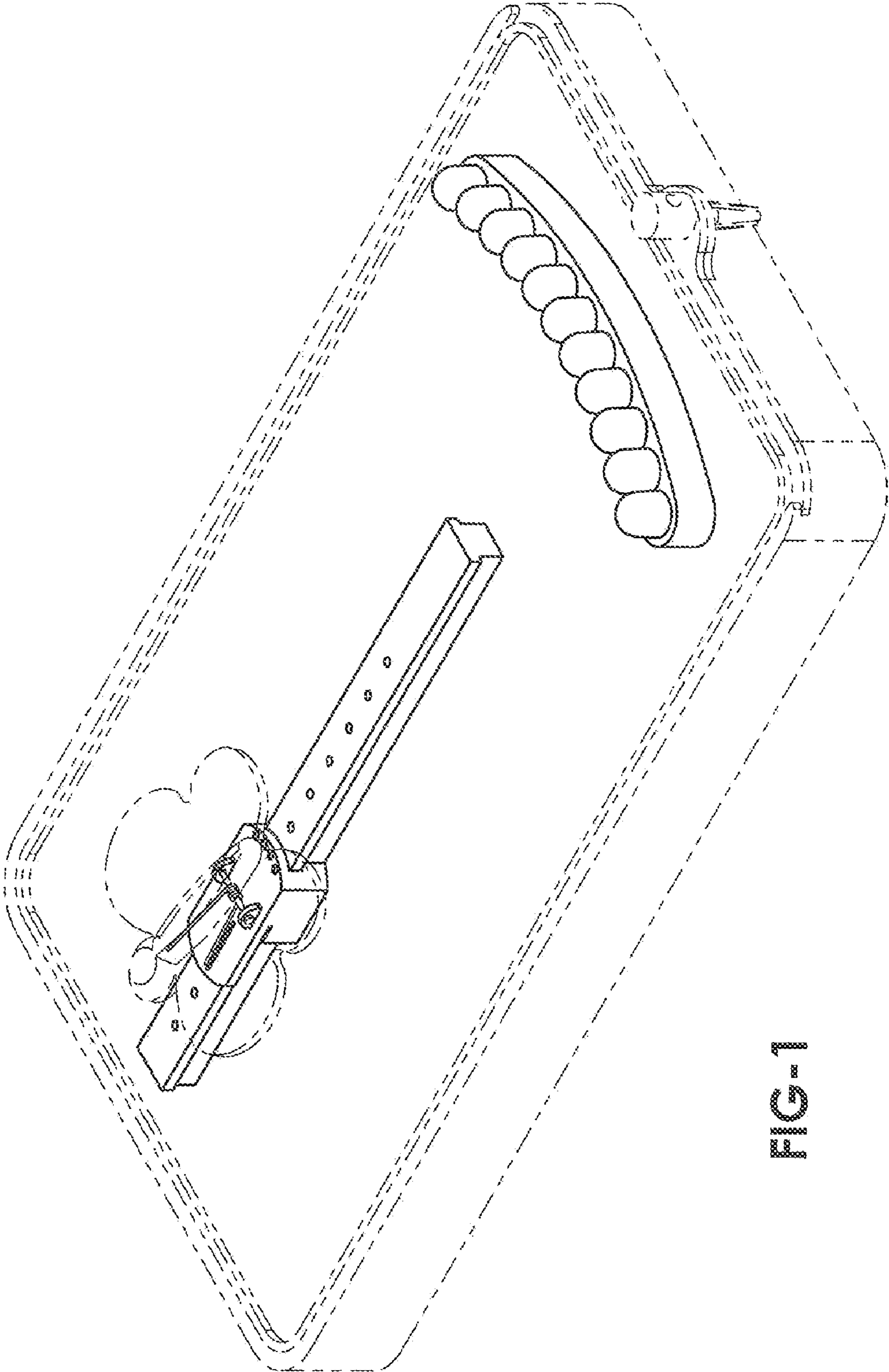


FIG-1

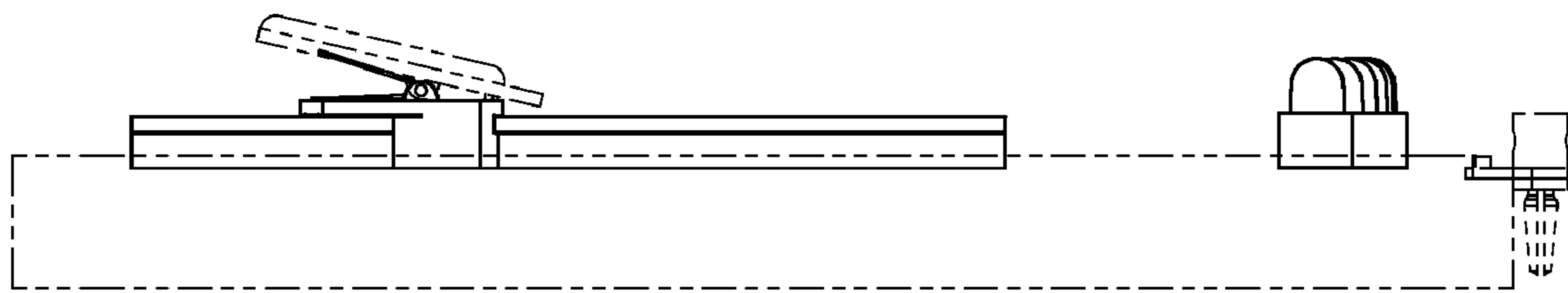


FIG-2

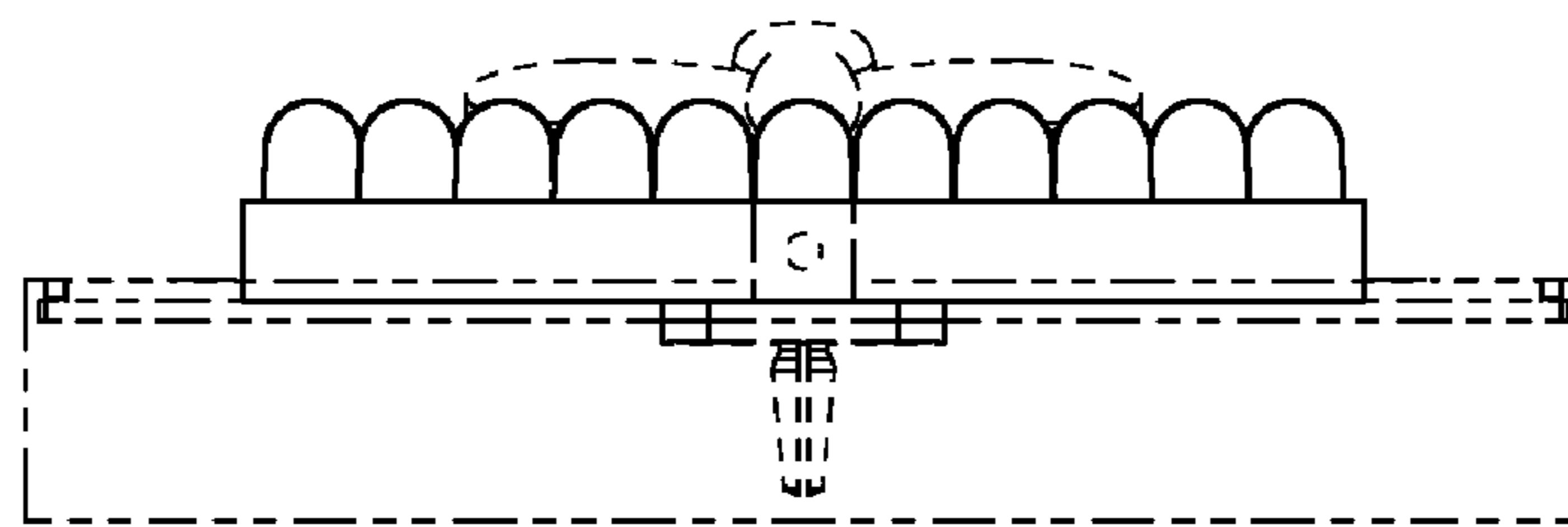


FIG-3

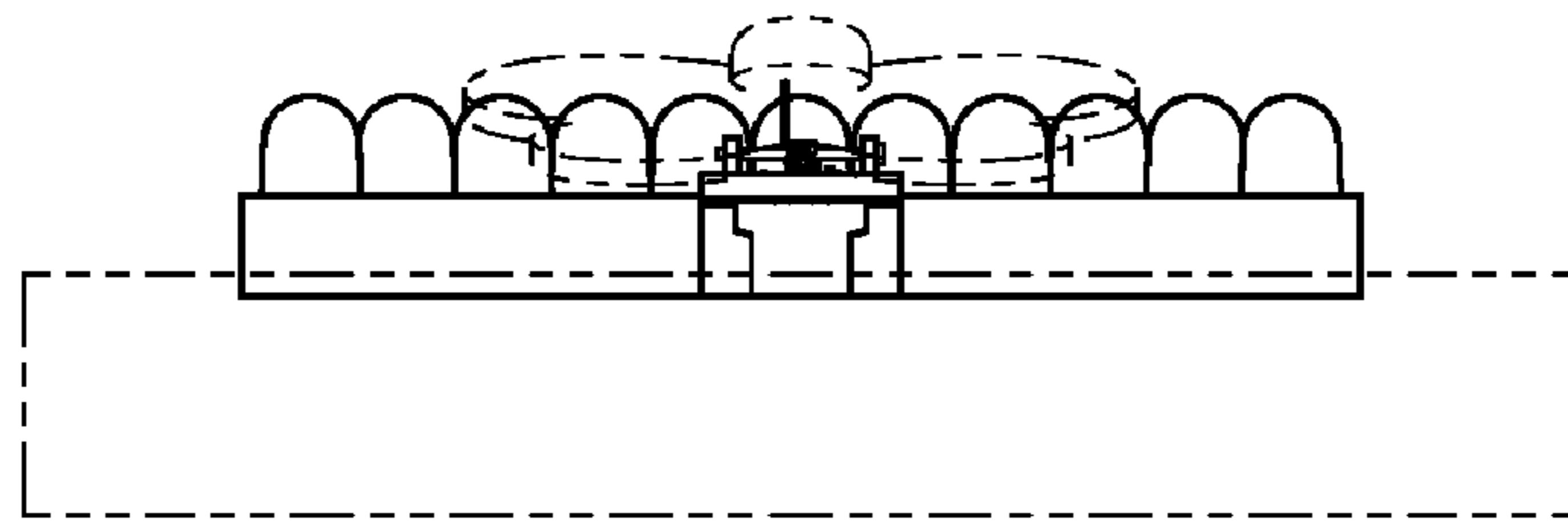


FIG-4

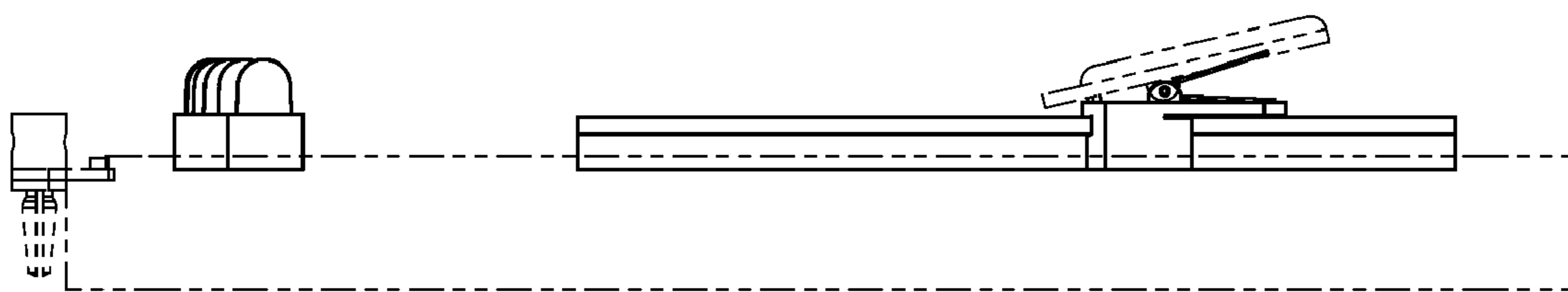


FIG-5

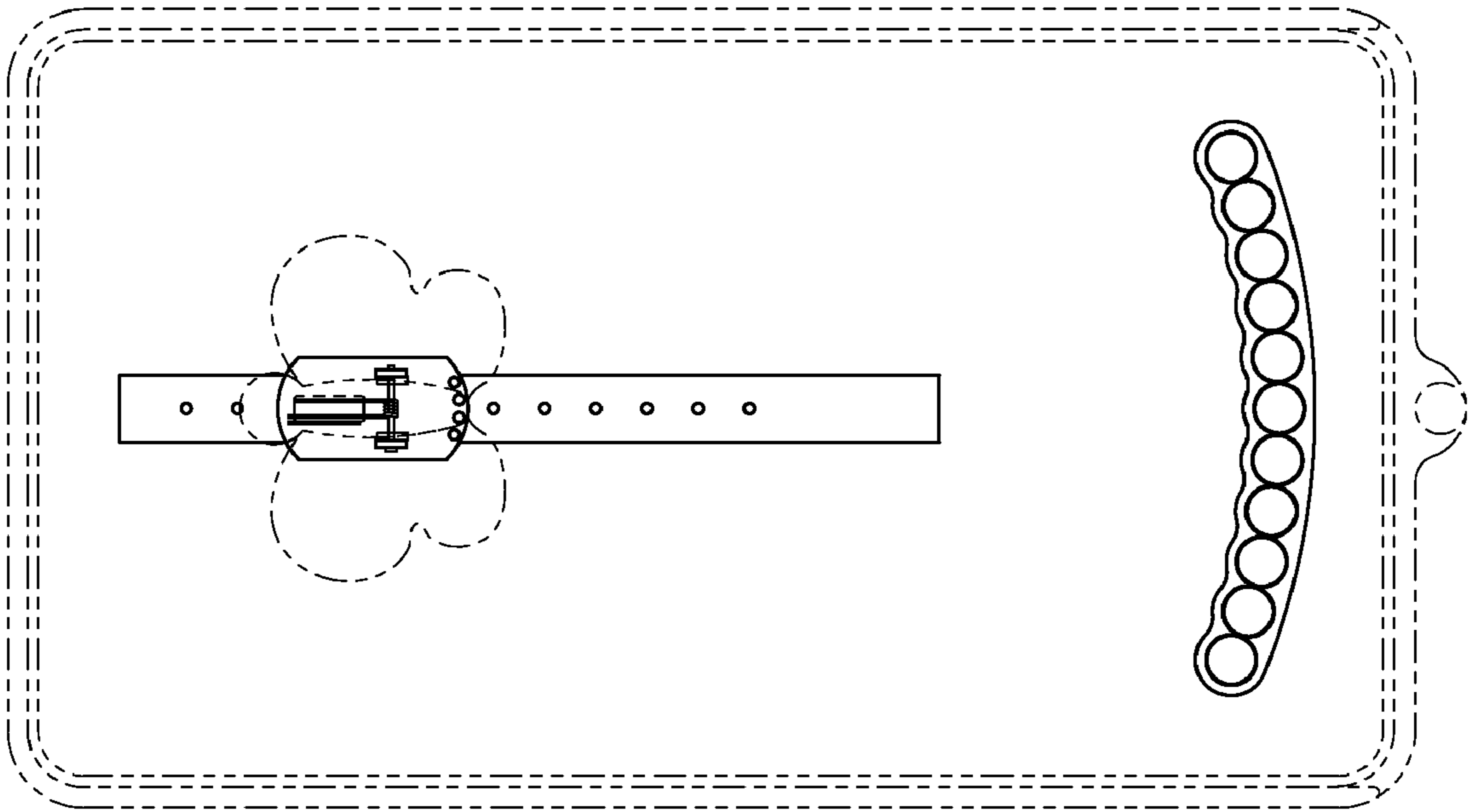


FIG-6

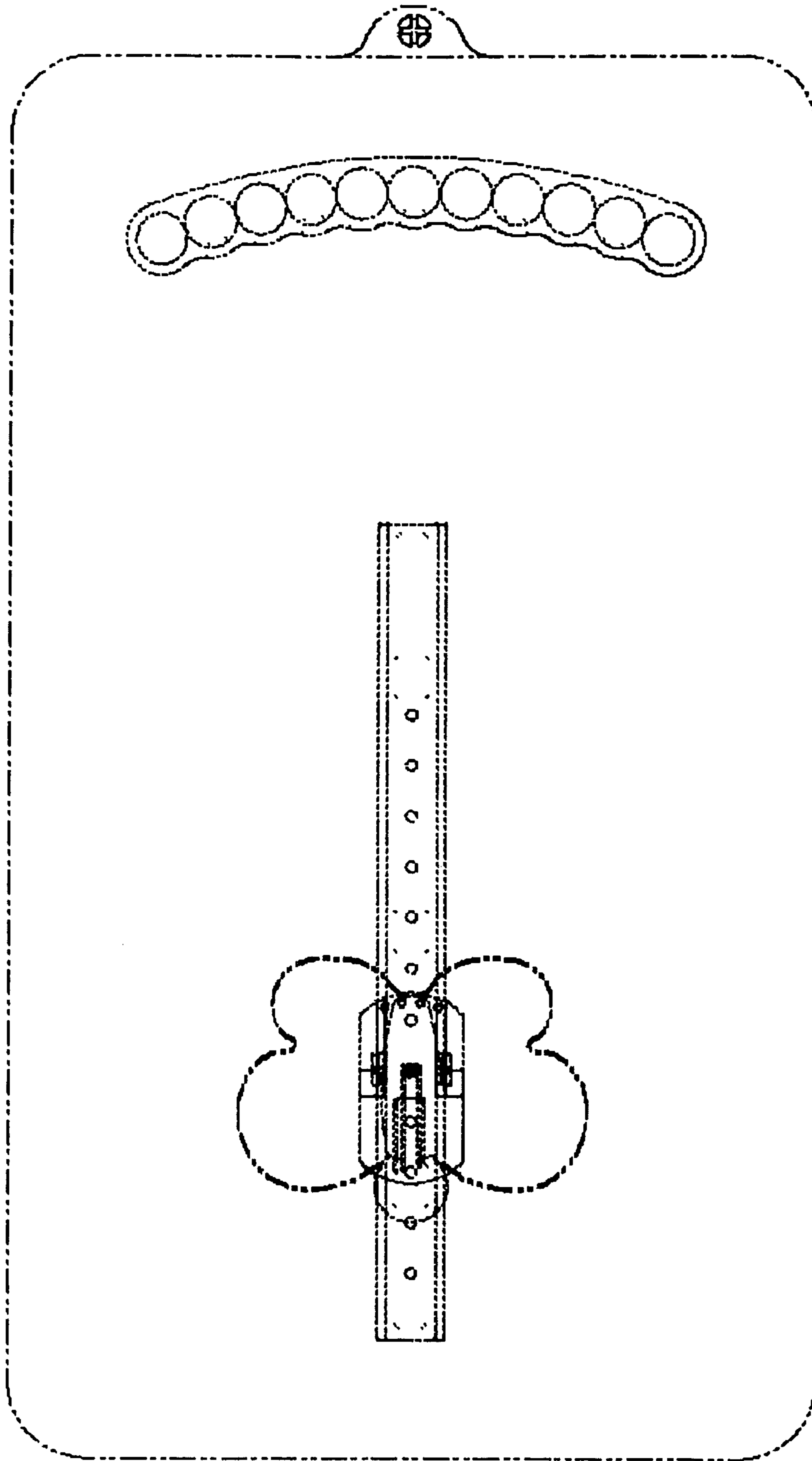


FIG-7