



US00D619146S

(12) **United States Design Patent**
Flik et al.

(10) **Patent No.:** **US D619,146 S**
(45) **Date of Patent:** **** Jul. 6, 2010**

(54) **TRANSITIONAL ICON FOR A PORTION OF A DISPLAY SCREEN**

(75) Inventors: **Dominic Flik**, Ottobrunn (DE); **Peter Respondek**, Stelermark (AT)

(73) Assignee: **Deutsche Telekom AG** (DE)

(**) Term: **14 Years**

(21) Appl. No.: **29/332,031**

(22) Filed: **Feb. 6, 2009**

(51) **LOC (9) Cl.** **32-00**

(52) **U.S. Cl.** **D14/493**

(58) **Field of Classification Search** D14/485-495;
D18/26, 31-33; D20/11-12, 23-25, 29-32,
D20/36-38; 715/700-867, 973-977
See application file for complete search history.

(56) **References Cited**

U.S. PATENT DOCUMENTS

133,678	A *	12/1872	Stephenson et al.	D18/26
D27,057	S *	5/1897	West	D20/31
D33,058	S *	8/1900	Witsch	D20/26
D130,803	S *	12/1941	Lash	D20/36
D391,949	S *	3/1998	Munson	D14/493
D414,813	S *	10/1999	Browning	D20/23
D434,421	S *	11/2000	Hanley et al.	D14/493
D439,256	S *	3/2001	Schmidt et al.	D14/493
D440,228	S *	4/2001	Schmidt et al.	D14/493
D471,225	S *	3/2003	Gray	D18/27
7,190,473	B1 *	3/2007	Cook et al.	715/700
7,203,909	B1 *	4/2007	Horvitz et al.	715/765
7,216,305	B1 *	5/2007	Jaeger	715/849
7,227,557	B2 *	6/2007	Nakajima	715/788

(Continued)

OTHER PUBLICATIONS

Iconfactory : Freeware : Float Sneak Peek, [online] published on Nov. 7, 2006 [retrieved on Apr. 4, 2007]. Retrieved from the Internet <URL: <http://iconfactory.com/freeware/preview/flsp>>.*

Primary Examiner—Robin V Webster
Assistant Examiner—Karen E Kearney
(74) *Attorney, Agent, or Firm*—Hogan Lovells US LLP

(57) **CLAIM**

The ornamental design for a transitional icon for a portion of a display screen, as shown and described.

DESCRIPTION

FIG. 1 is a front view of a transitional icon for a portion of a display screen showing the new design in a first state;

FIG. 2 is a front view thereof in a second state;

FIG. 3 is a front view thereof in a third state;

FIG. 4 is a front view thereof in a fourth state;

FIG. 5 is a front view thereof in a fifth state;

FIG. 6 is a front view thereof in a sixth state;

FIG. 7 is a front view thereof in a seventh state;

FIG. 8 is a front view thereof in an eighth state;

FIG. 9 is a front view thereof in a ninth state;

FIG. 10 is a front view thereof in a tenth state;

FIG. 11 is a front view thereof in an eleventh state;

FIG. 12 is a front view thereof in a twelfth state;

FIG. 13 is a front view thereof in a thirteenth state;

FIG. 14 is a front view thereof in a fourteenth state; and,

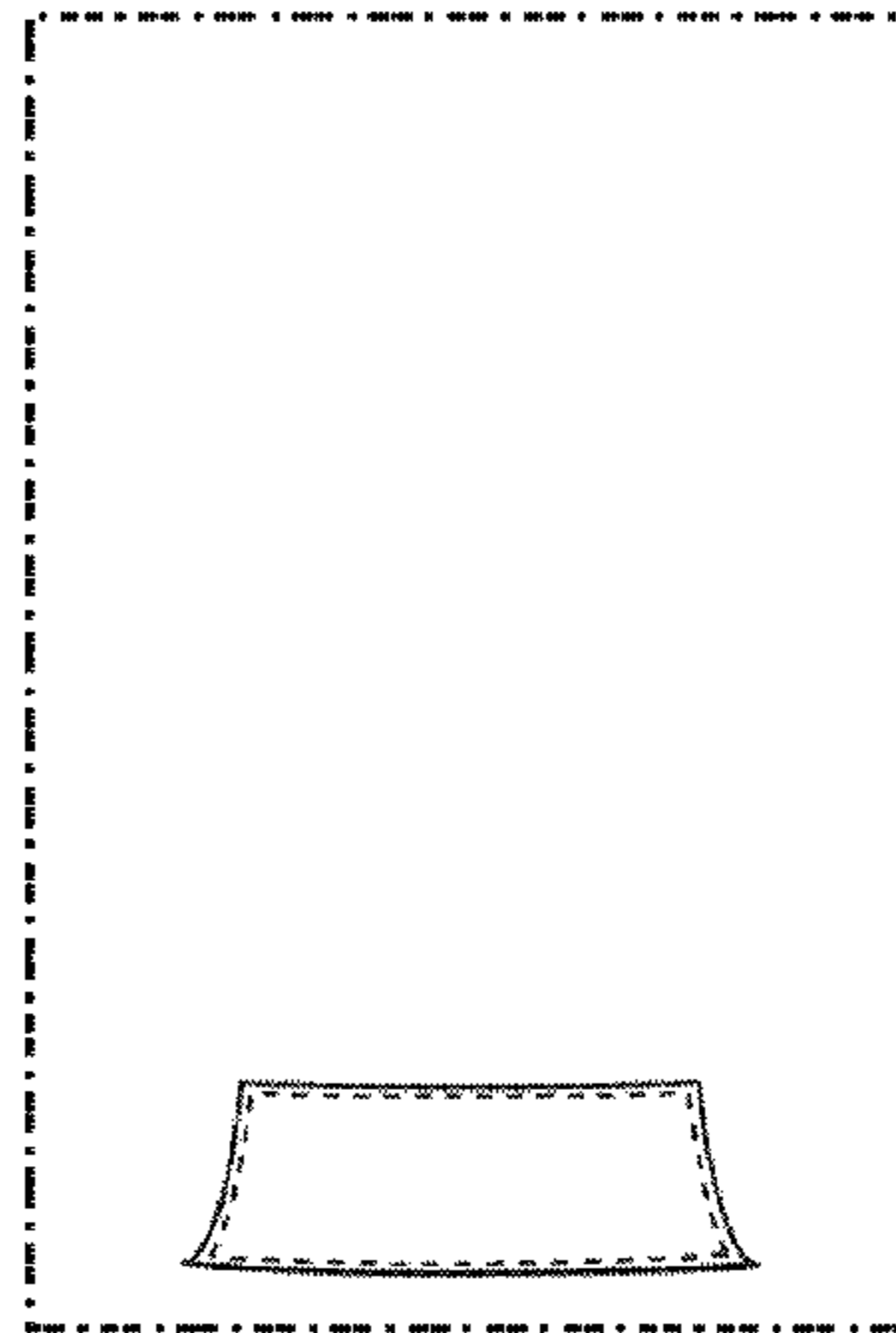
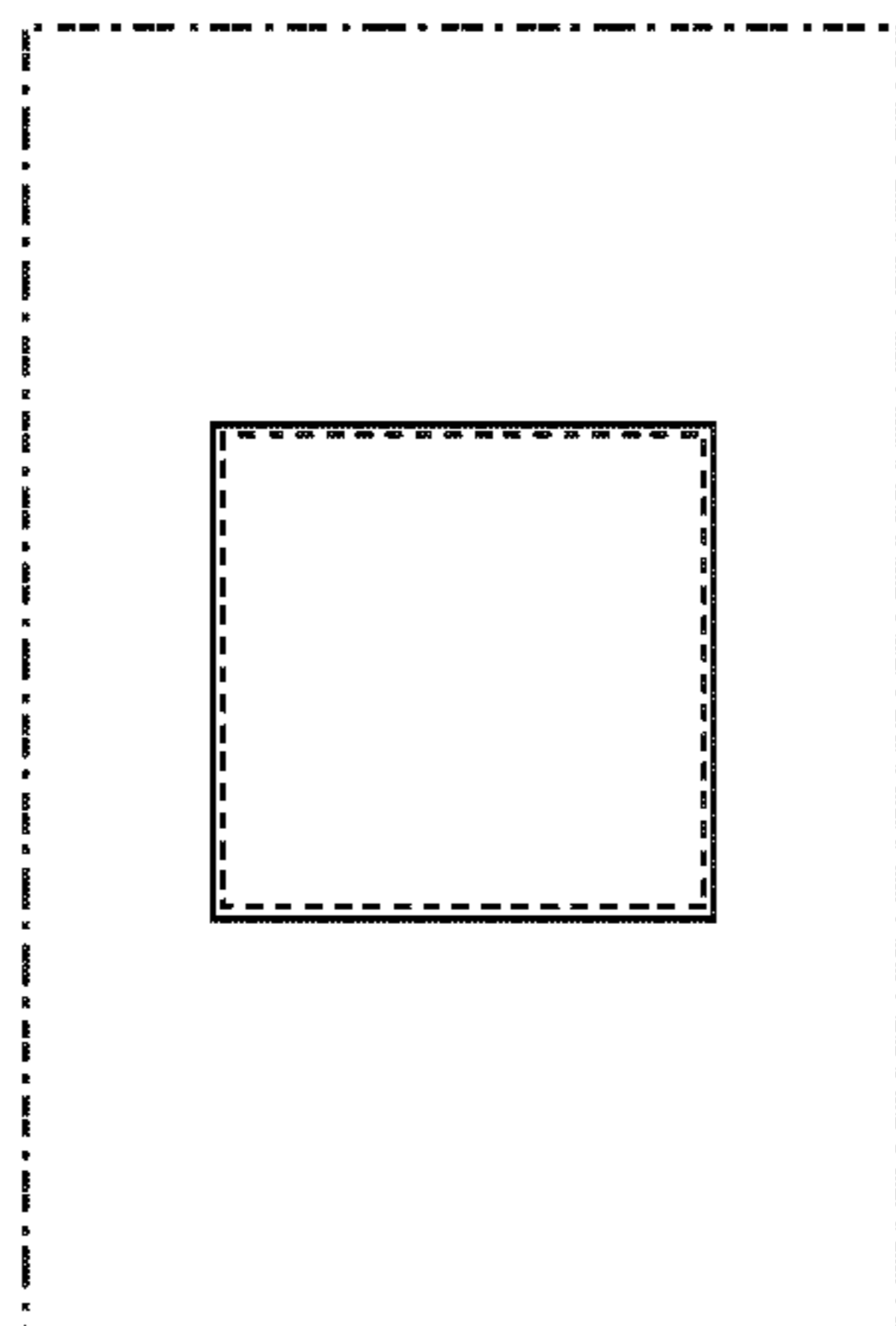
FIG. 15 is a front view thereof in a fifteenth state.

The appearance of the transitional icon sequentially transitions between the images shown in FIGS. 1-15. The process or period in which one image transitions to another image forms no part of the claimed design.

The broken line showing an area within the transitional icon in FIGS. 1-15 and the broken line showing the portion of a display screen in

FIGS. 1-15 are for the purpose of illustrating environmental structure and form no part of the claimed design.

1 Claim, 15 Drawing Sheets



US D619,146 S

Page 2

U.S. PATENT DOCUMENTS

D594,022 S *	6/2009	King	D14/488	7,607,097 B2 *	10/2009	Janakiraman et al.	715/753
7,565,640 B2 *	7/2009	Shukla et al.	715/234	7,620,899 B2 *	11/2009	Abdo et al.	715/740
D598,464 S *	8/2009	Hirsch et al.	D14/485	D605,200 S *	12/2009	Sakai	D14/486
D598,466 S *	8/2009	Hirsch et al.	D14/485	2005/0154614 A1 *	7/2005	Swanson et al.	705/3
D598,928 S *	8/2009	Hirsch et al.	D14/485	2009/0281926 A1 *	11/2009	Lin-Hendel	715/845
D599,370 S *	9/2009	Murchie et al.	D14/485	2009/0293021 A1 *	11/2009	Nagai et al.	715/862
D599,811 S *	9/2009	Watanabe et al.	D14/486	2009/0300529 A1 *	12/2009	Endoh et al.	715/764

* cited by examiner

FIG. 1

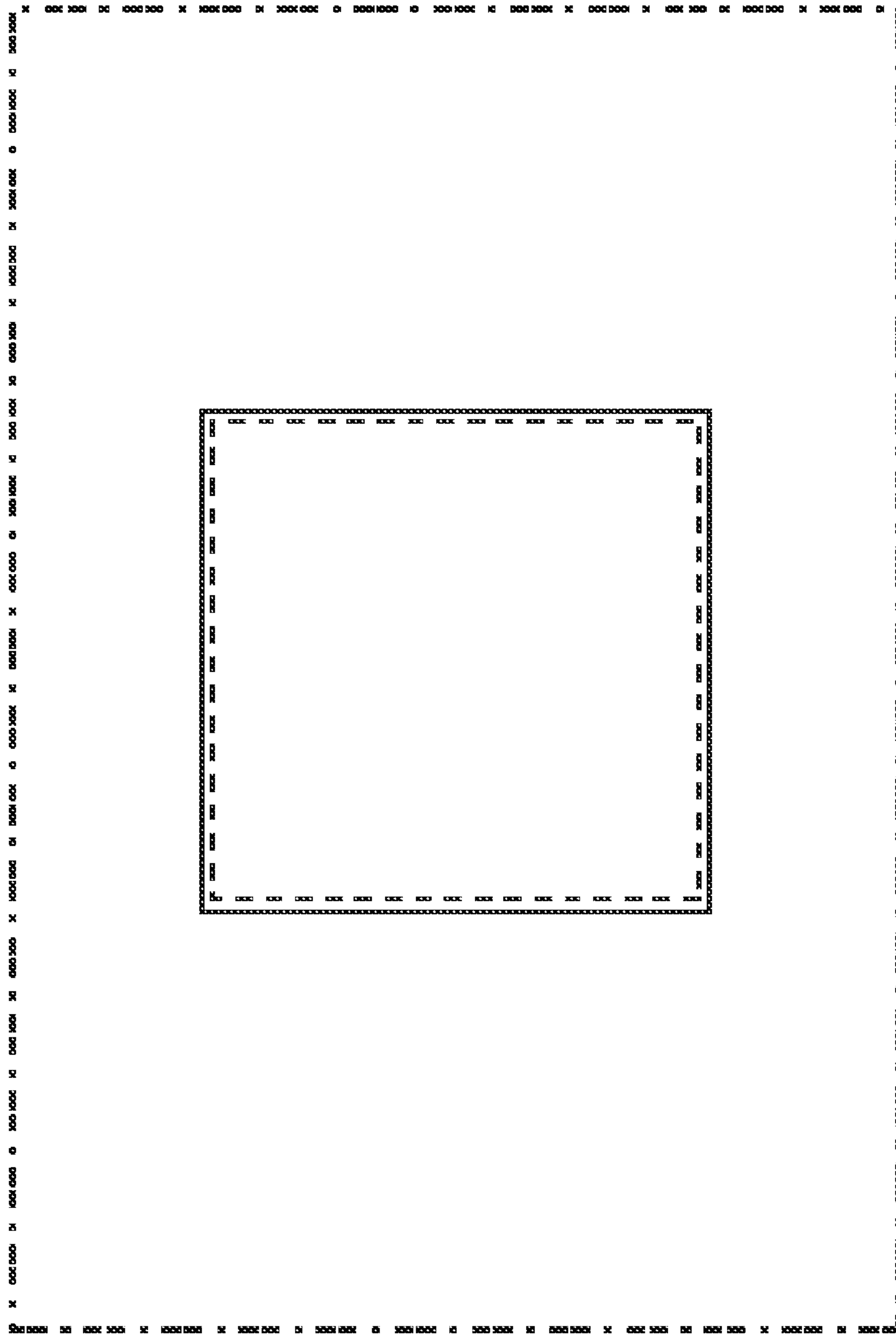


FIG. 2

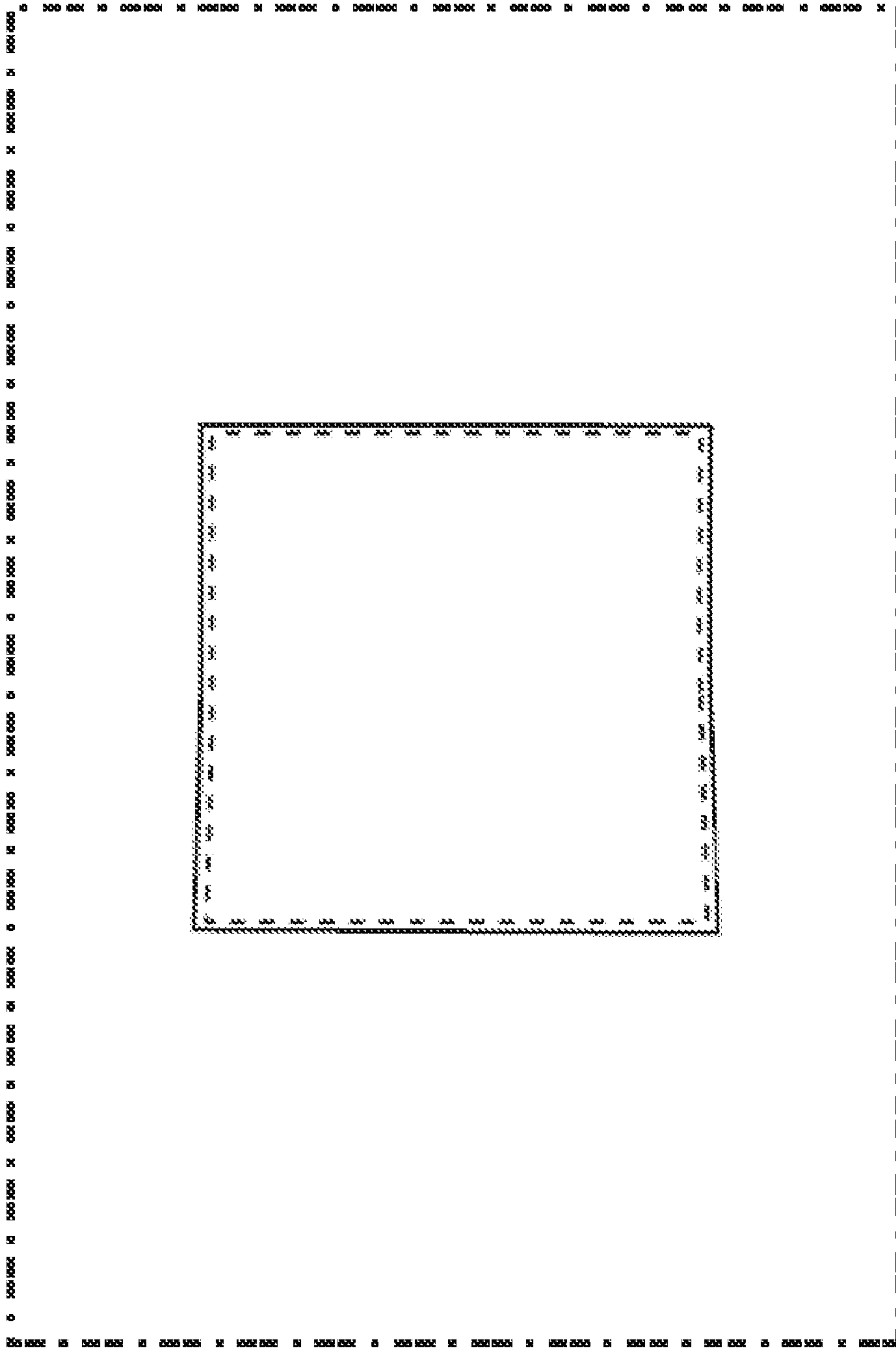


FIG. 3

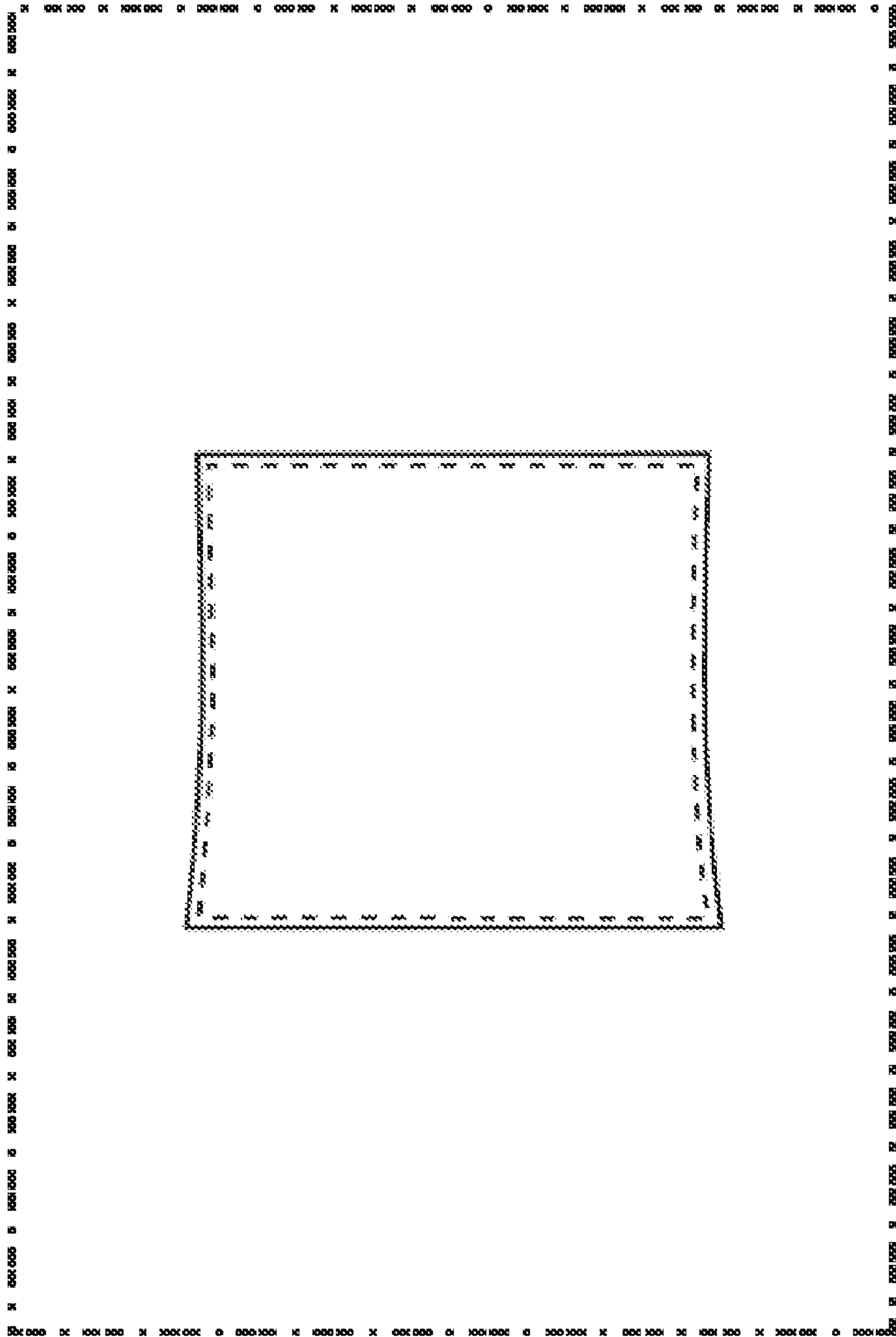


FIG. 4

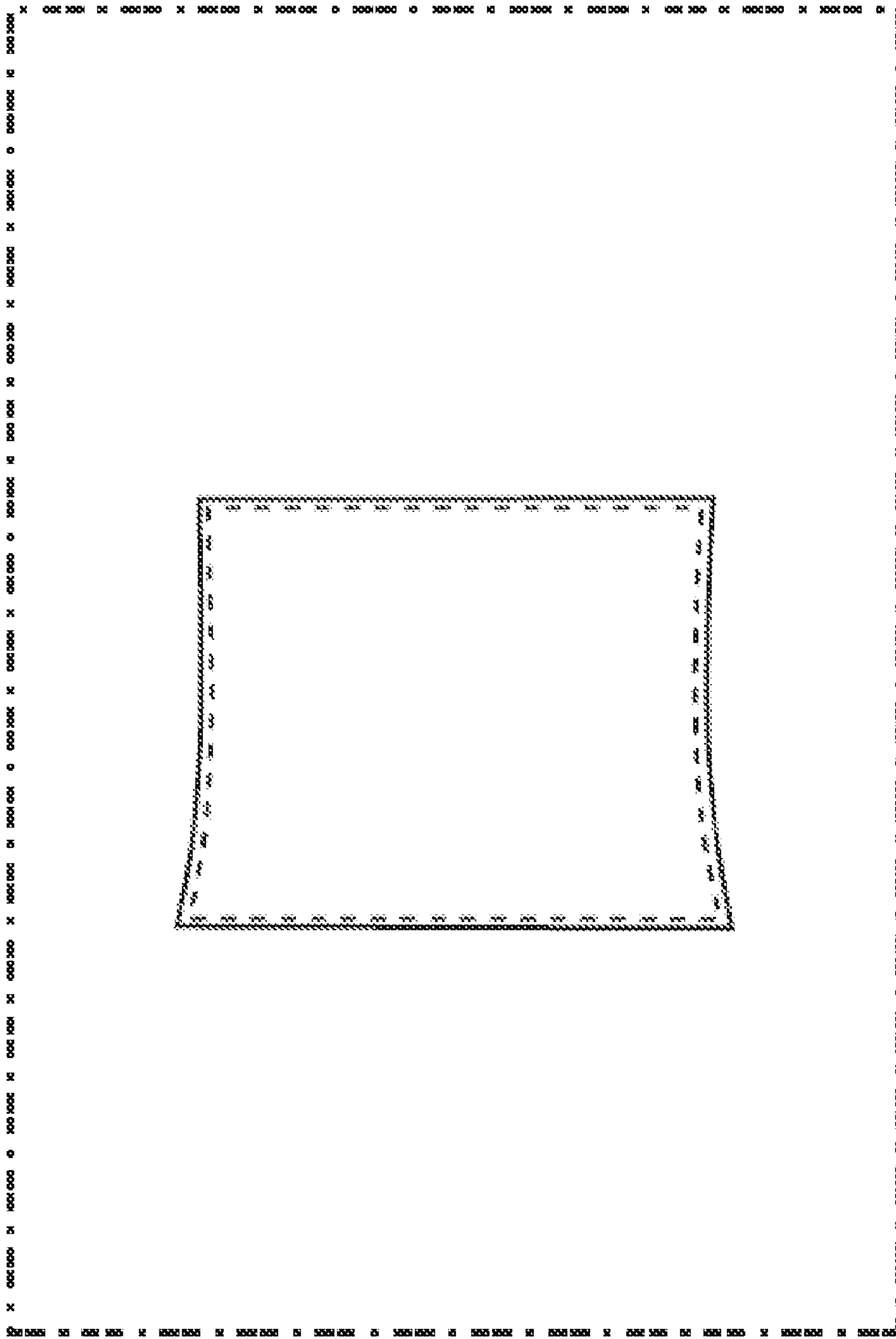


FIG. 5

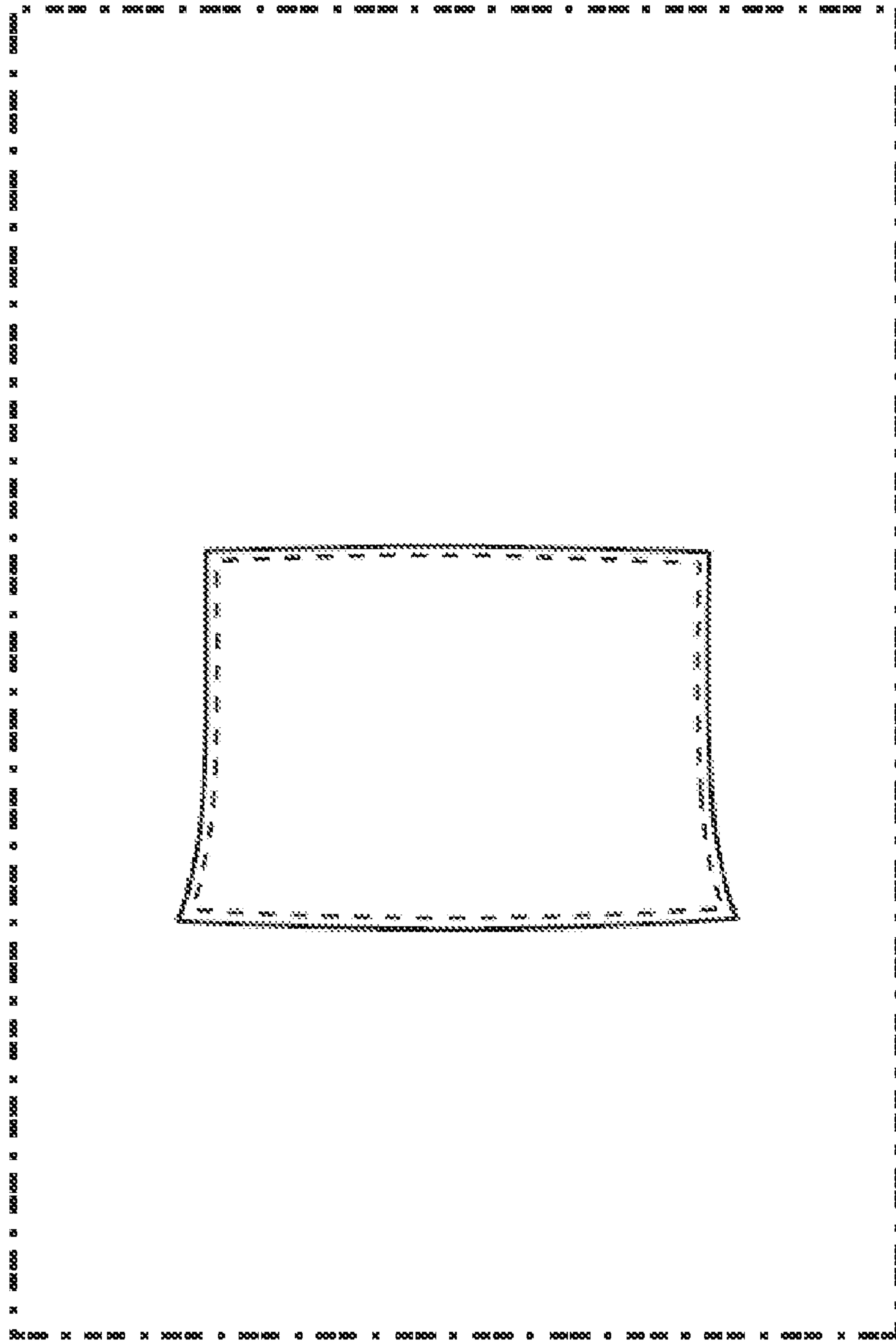


FIG. 6

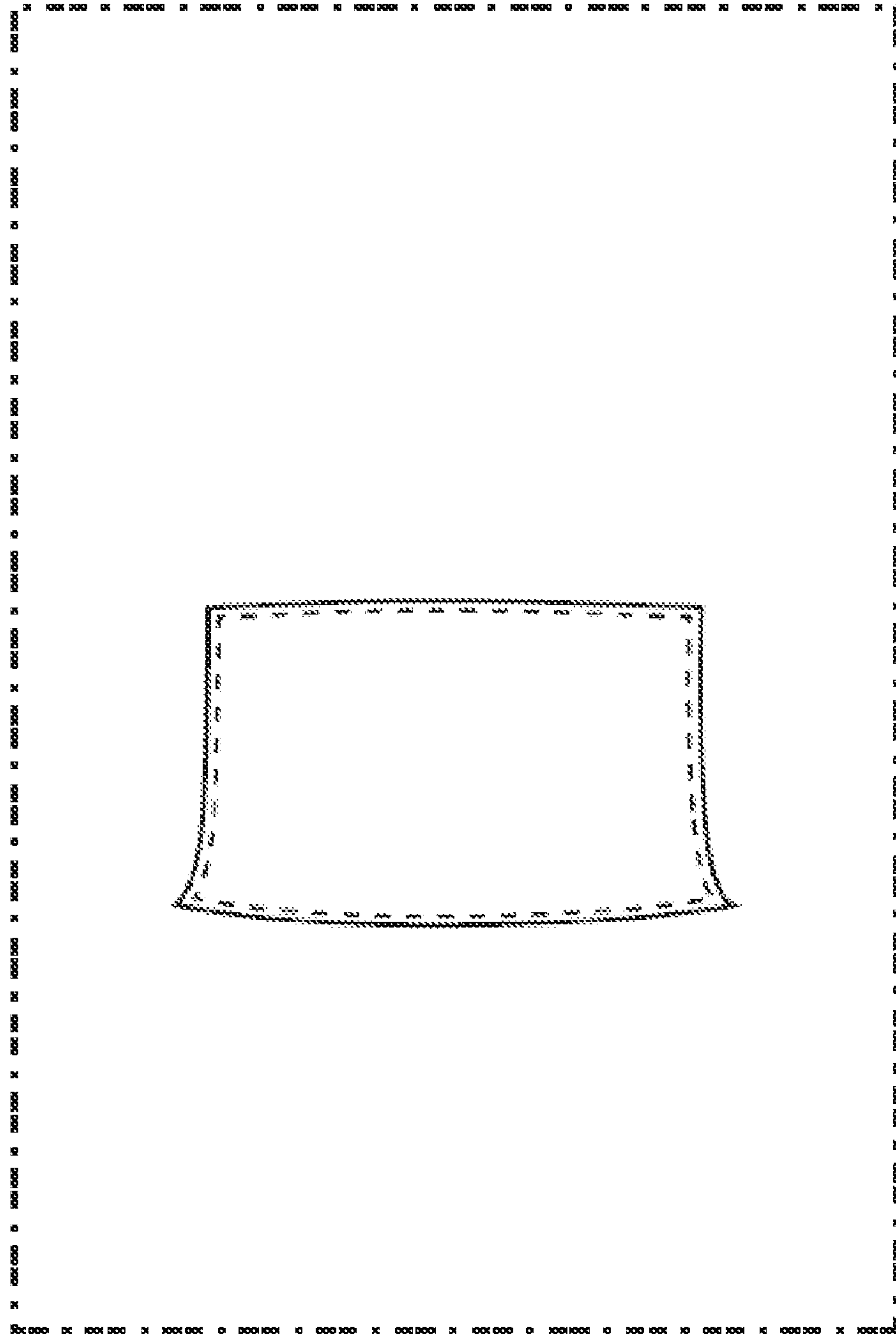


FIG. 7

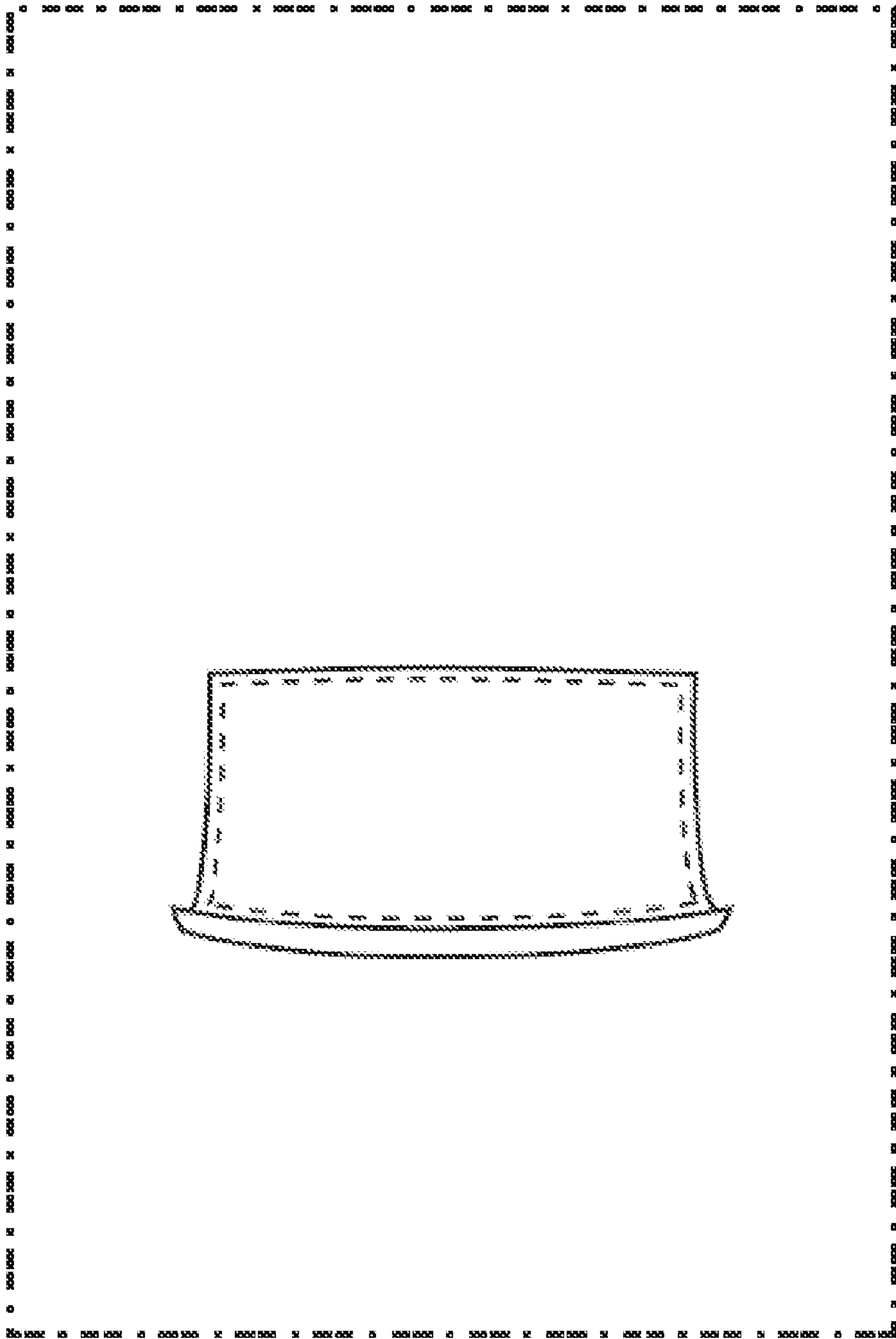


FIG. 8

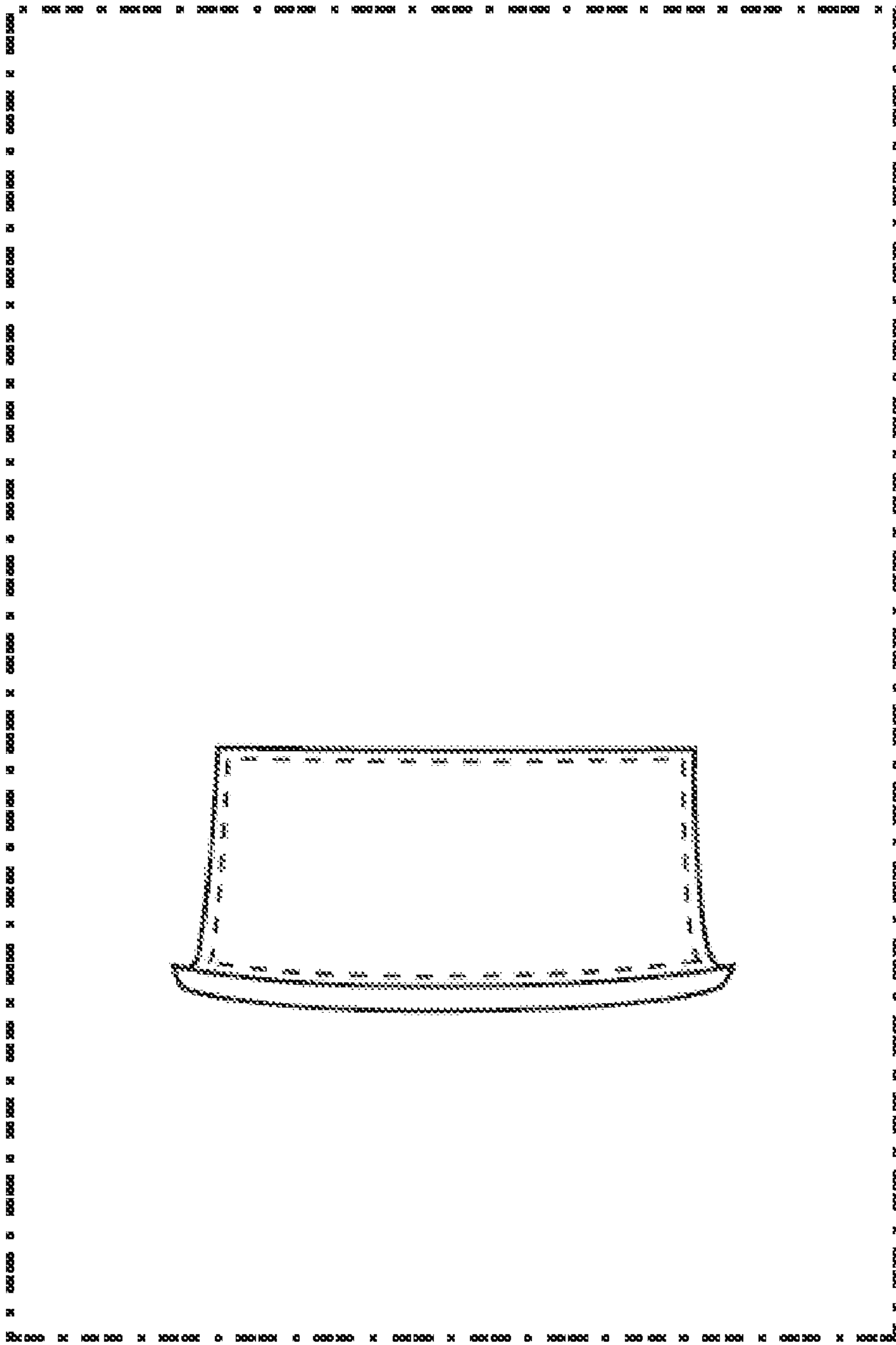


FIG. 9

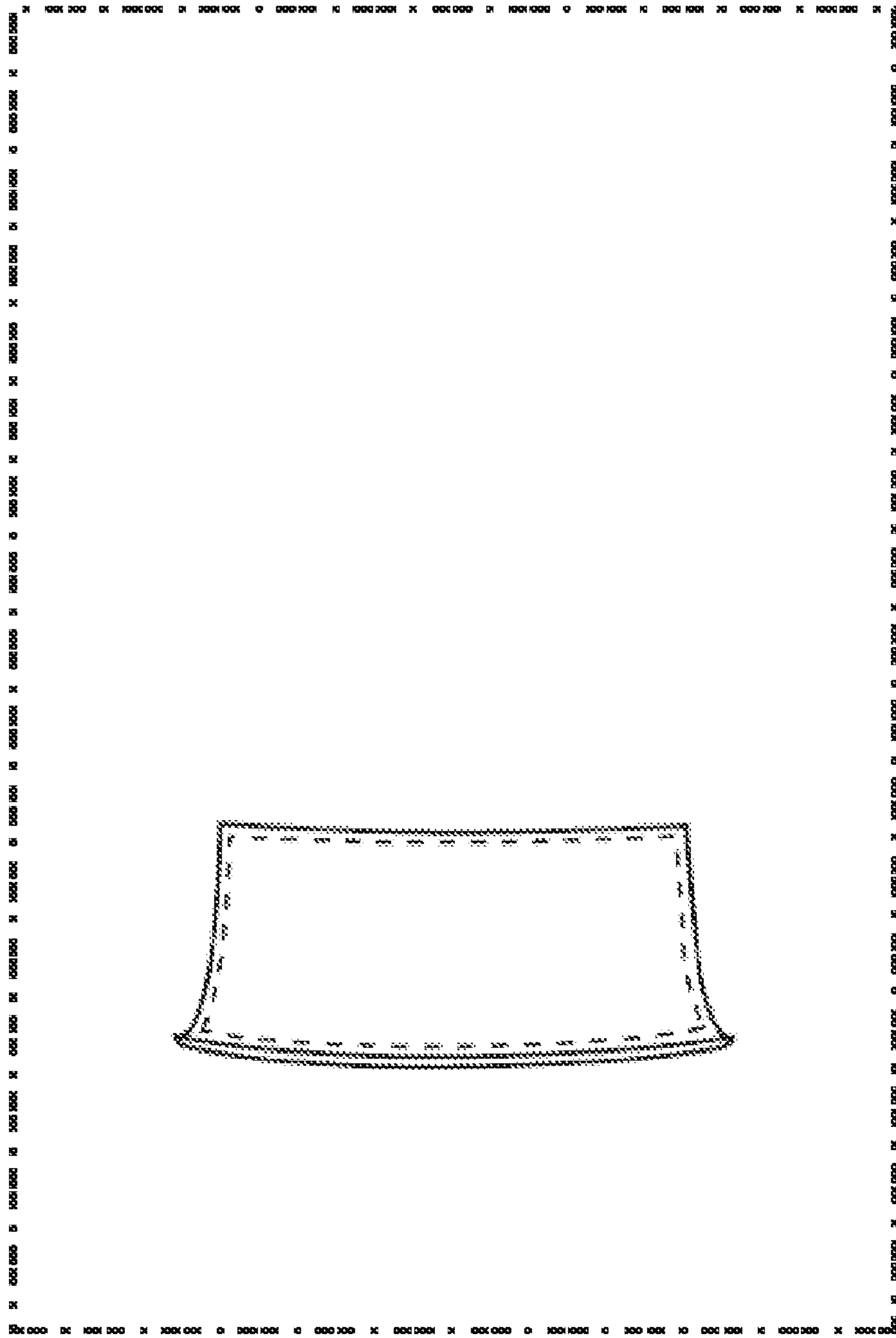


FIG. 10

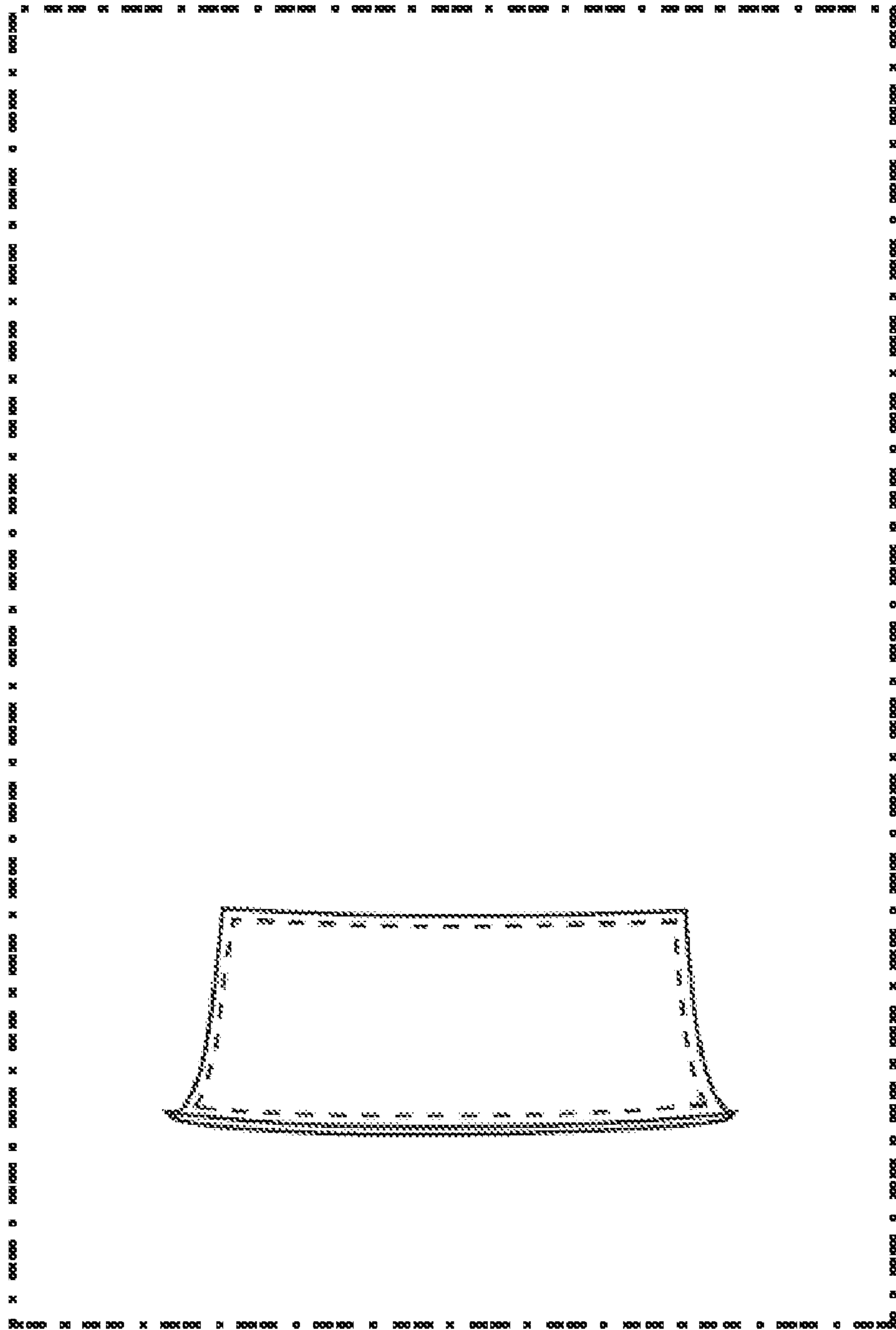


FIG. 11

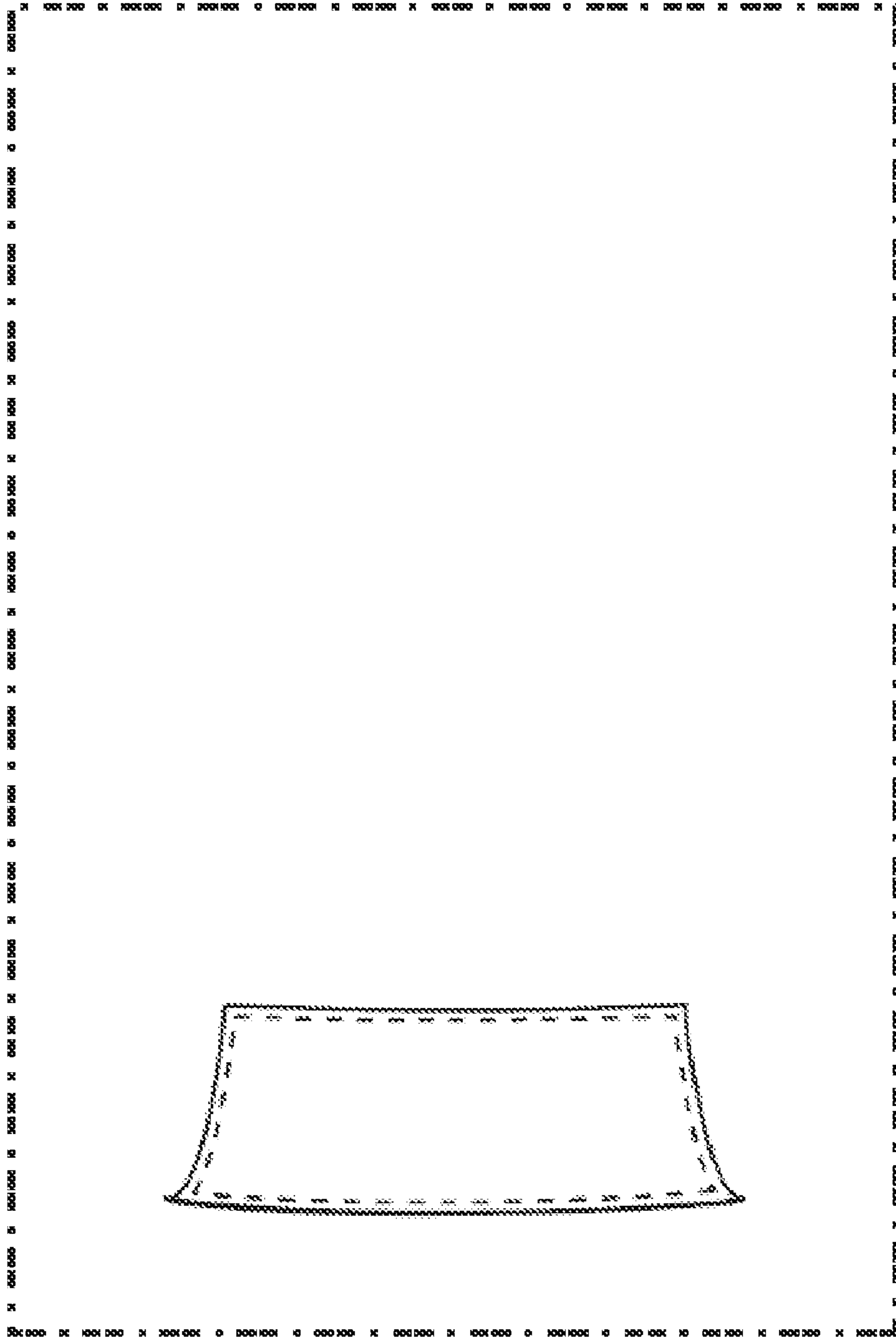


FIG. 12

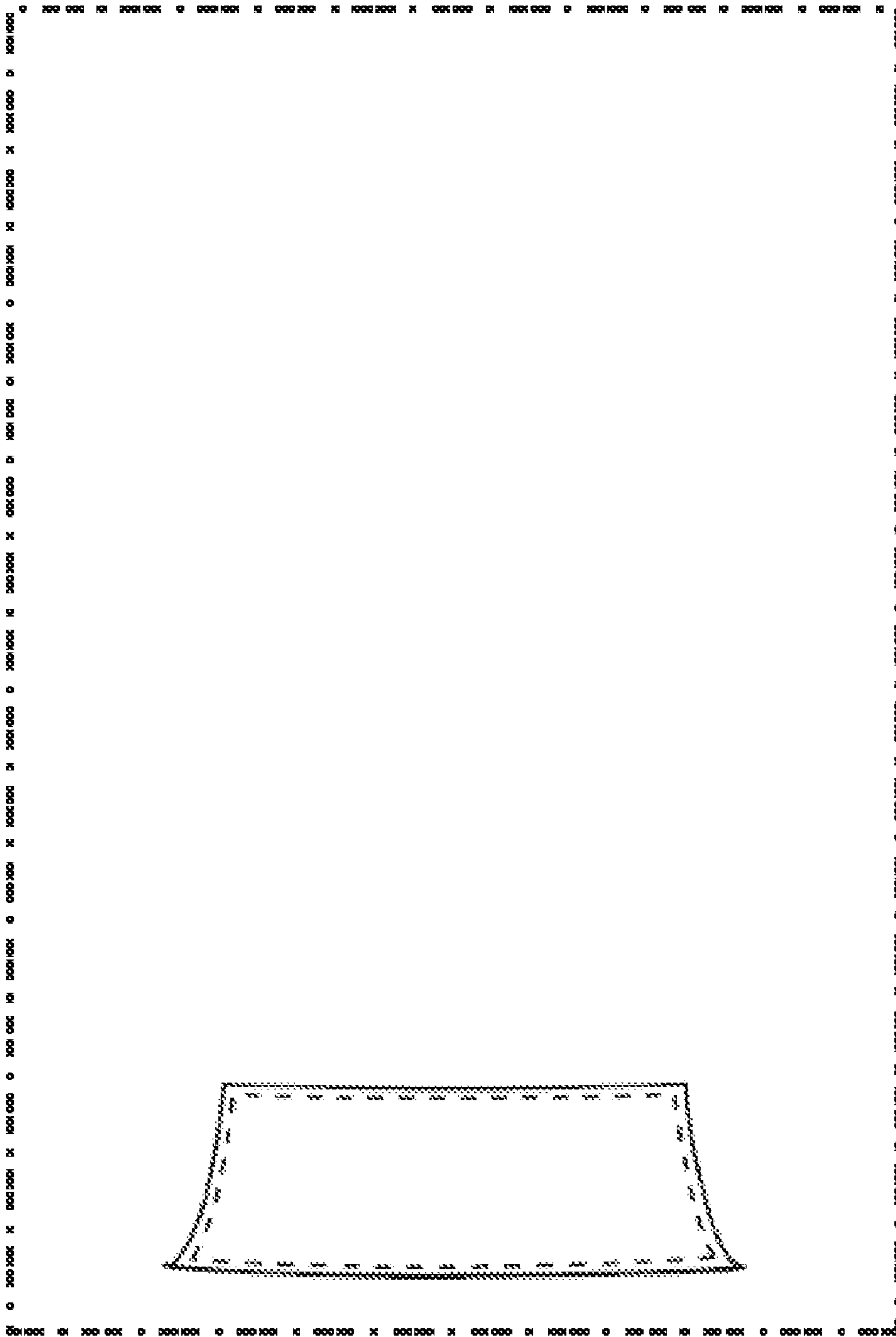


FIG. 13

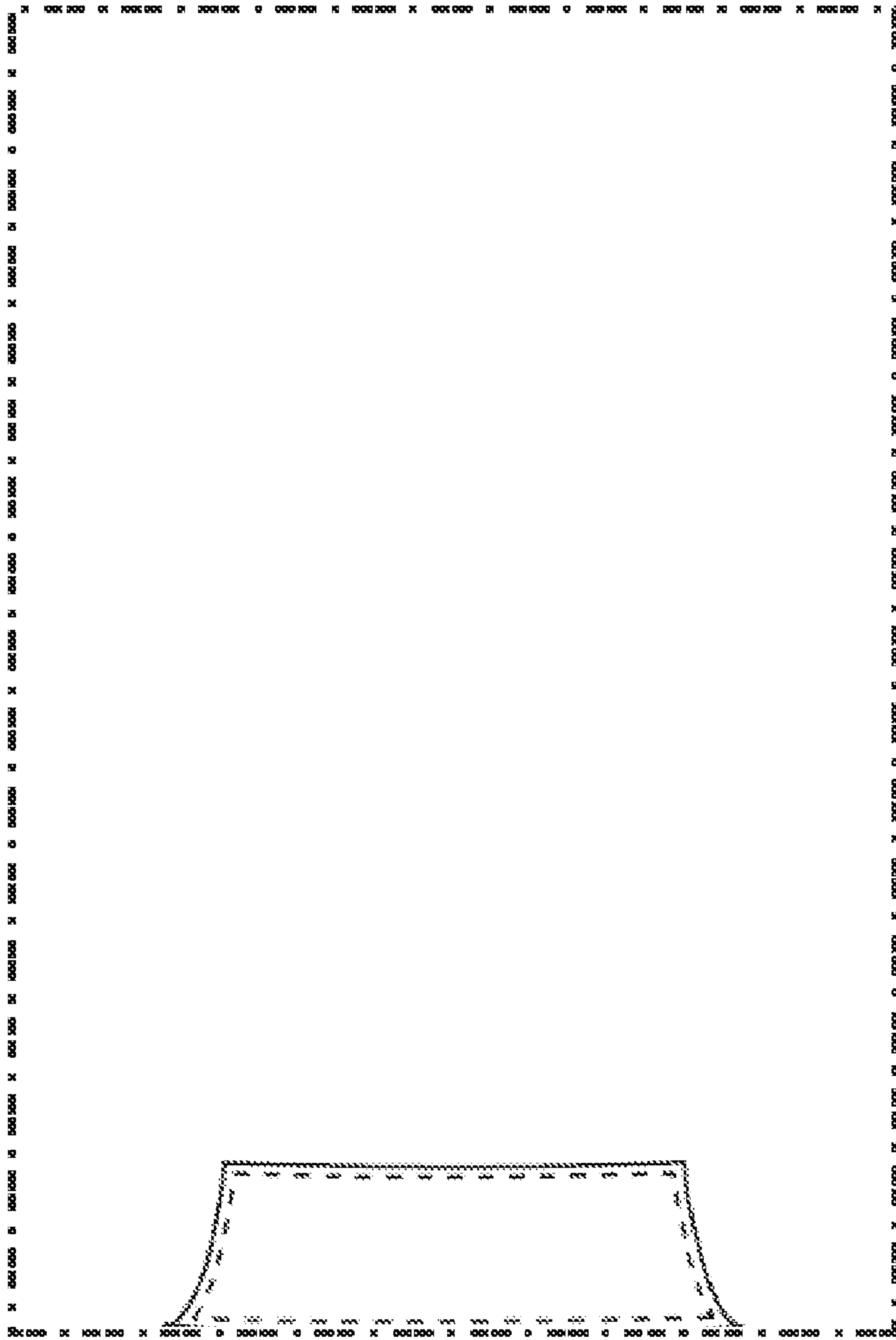


FIG. 14

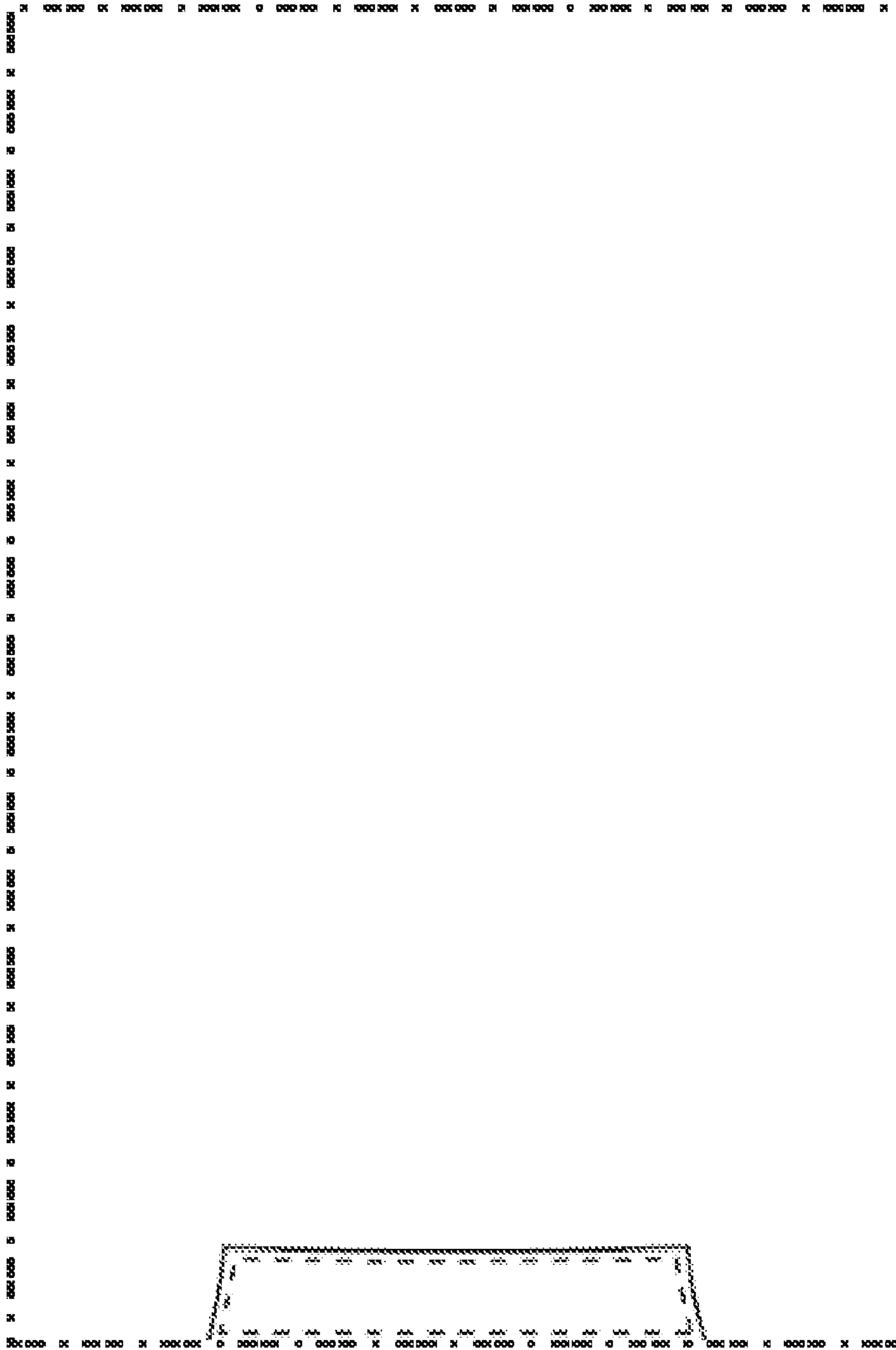


FIG. 15



UNITED STATES PATENT AND TRADEMARK OFFICE
CERTIFICATE OF CORRECTION

PATENT NO. : D619,146 S
APPLICATION NO. : 29/332031
DATED : July 6, 2010
INVENTOR(S) : Dominic Flik and Peter Respondek

Page 1 of 1

It is certified that error appears in the above-identified patent and that said Letters Patent is hereby corrected as shown below:

Please insert on Title Page below Item (22)

-- (30) Foreign Application Priority Data
Aug. 8, 2008 (EP)000984885 --

Signed and Sealed this
Tenth Day of May, 2011



David J. Kappos
Director of the United States Patent and Trademark Office