



US00D619140S

(12) **United States Design Patent**
Sin et al.

(10) **Patent No.:** **US D619,140 S**
(45) **Date of Patent:** **** Jul. 6, 2010**

(54) **HARD DISK DRIVE**

(75) Inventors: **Ri-Na Sin**, Seoul (KR); **Tae-Ho Kim**,
Kyunggi-do (KR); **Hyung-Ho**
Hwangbo, Seoul (KR); **Jae-Hwa Moon**,
Seoul (KR); **Ji-Hyun Moon**, Kyunggi-do
(KR)

(73) Assignee: **Samsung Electronics Co., Ltd.**,
Kyunggi-do (KR)

(**) Term: **14 Years**

(21) Appl. No.: **29/315,363**

(22) Filed: **Jun. 18, 2009**

(30) **Foreign Application Priority Data**

Apr. 23, 2009 (KR) 30-2009-0017566

(51) **LOC (9) Cl.** **14-99**

(52) **U.S. Cl.** **D14/480.6**

(58) **Field of Classification Search** D14/137,
D14/167, 168, 218, 230, 231, 233, 235, 237,
D14/240-242, 299, 432, 435, 436, 155, 496,
D14/300, 301, 313, 314, 214, 348-363, 365-370,
D14/435.1, 480.1-480.7, 484.1; D18/56;
D13/149, 162, 184, 199; D3/201, 273; D10/65,
D10/75, 78; 312/223.1, 223.2; 369/34.01,
369/36.01, 272.1; 360/132, 133, 135; 361/679.31-679.45
See application file for complete search history.

(56) **References Cited**

U.S. PATENT DOCUMENTS

D318,673 S *	7/1991	Terk	D14/230
D351,147 S *	10/1994	Hill	D14/351
D459,349 S *	6/2002	Wei et al.	D14/349
D462,073 S	8/2002	Yoon		
D471,882 S *	3/2003	Lan	D14/125
6,676,420 B1 *	1/2004	Liu et al.	439/131
D487,458 S *	3/2004	Gentil et al.	D14/480.5
D508,899 S *	8/2005	Suzuki	D14/125
D511,344 S *	11/2005	Takei	D14/363
D513,617 S *	1/2006	Tierney	D14/496

D514,103 S *	1/2006	Huang et al.	D14/363
7,009,847 B1 *	3/2006	Wu et al.	361/737
7,025,275 B2 *	4/2006	Huang et al.	235/486
D522,520 S *	6/2006	Hsu	D14/436
D533,148 S *	12/2006	Hong	D14/125
D543,981 S *	6/2007	Diebel	D14/480.6
D559,249 S *	1/2008	Takei	D14/356
D574,833 S *	8/2008	Hussaini et al.	D14/432
D577,020 S *	9/2008	Park	D14/363
D587,265 S *	2/2009	Maiers et al.	D14/356

(Continued)

OTHER PUBLICATIONS

A-Data Technology, [online], [retrieved on Jul. 3, 2007]. Retrieved from the Internet <URL: http://www.adata.com.tw/adata_en/product_show.php?ProductNo=AHD1ZZZGH>.*

(Continued)

Primary Examiner—Cathron C Brooks
Assistant Examiner—Karen E Kearney
(74) *Attorney, Agent, or Firm*—Flynn, Thiel, Boutell & Tanis, P.C.

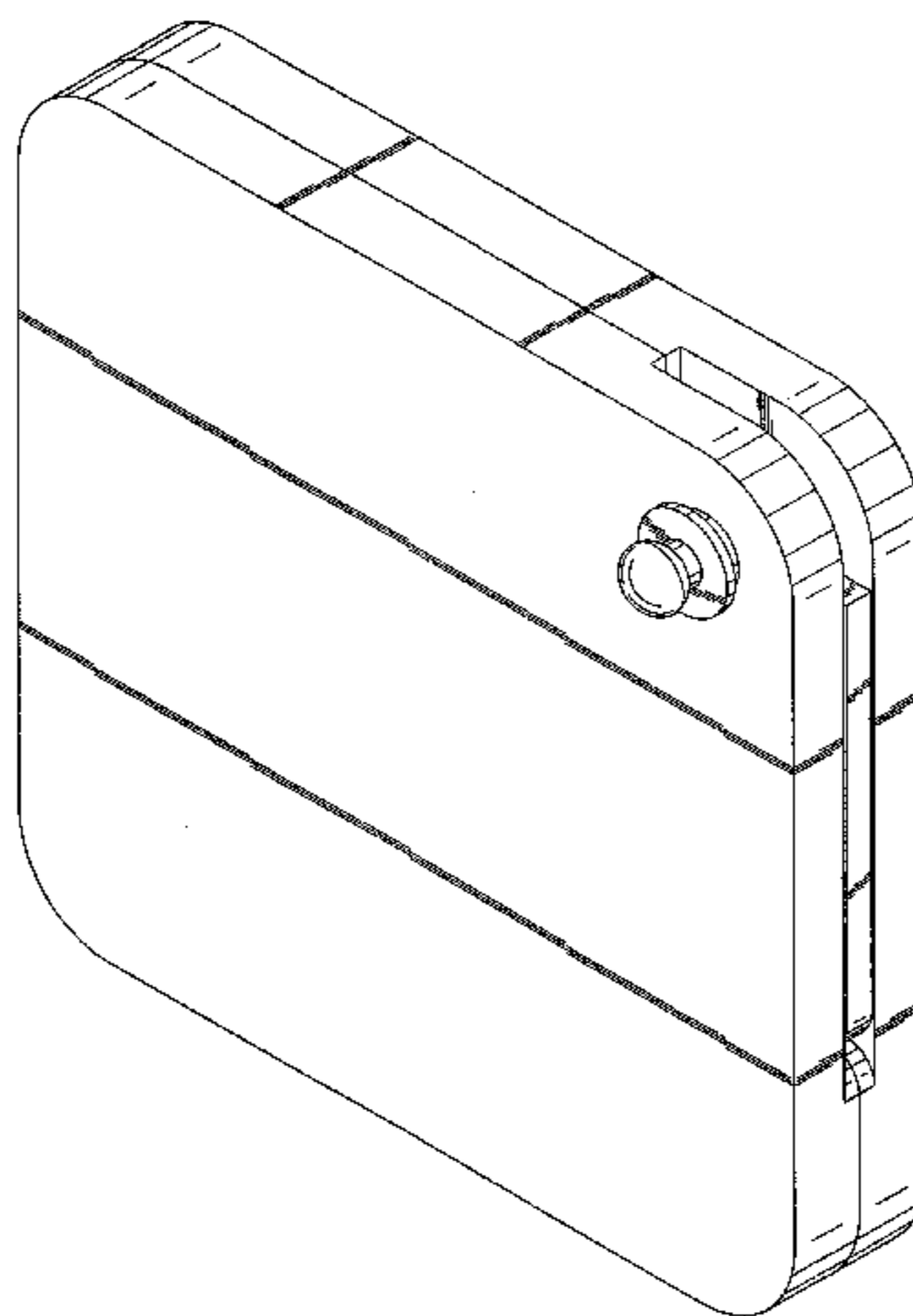
(57) **CLAIM**

The ornamental design for a hard disk drive, as shown and described.

DESCRIPTION

FIG. 1 is a top front perspective view of a hard disk drive showing our new design;
FIG. 2 is a front elevational view thereof;
FIG. 3 is a rear elevational view thereof;
FIG. 4 is a left side elevational view thereof;
FIG. 5 is a right side elevational view thereof;
FIG. 6 is a top plan view thereof; and,
FIG. 7 is a bottom plan view thereof.

1 Claim, 5 Drawing Sheets



U.S. PATENT DOCUMENTS

D596,626 S * 7/2009 Andre et al. D14/240
D600,693 S * 9/2009 Maiers et al. D14/356
2003/0045176 A1* 3/2003 Liu 439/687
2005/0161513 A1* 7/2005 Huang et al. 235/492
2006/0199435 A1* 9/2006 Foo et al. 439/638

OTHER PUBLICATIONS

Newtips: Cherry Picks—hard drives by Hitachi, [online], [retrieved on Jul. 6, 2007]. Retrieved from the Internet <URL: http://www.apricorn.com/full_images/aegis-mini-USB.jpg>.*
inWarehouse 08-664 46 00, [online], [retrieved on Jan. 30, 2007]. Retrieved from the Internet <URL: <http://www.inwarehouse.se/Product.aspx?prd=868402>>.*

Memorex Mega TravelDrive™ Product Detail Page, [online], [retrieved on Jan. 30, 2007]. Retrieved from the Internet <URL: http://www.memorex.com/html/products_detail.php?section=3&CID=12&SID=16&PID=1102&FID=151&opento=12>.*
Sony Global—Micro Vault, Web Archive [online]Sep. 7, 2004 [retrieved on Jul. 5, 2007]. Retrieved from the Internet <URL: <http://web.archive.org/web/20040907192046/http://www.sony.net/Products/Media/Microvault/usd-g.html>>.*
WD Passport Pocket 6 GB USB 2.0 Hard Drives (WDXMM60WP), [online], [retrieved on Nov. 14, 2006]. Retrieved from the Internet <URL: <http://www.wdc.com/en/products/products.asp?driveid=226&language=en>>.*
U.S. Appl. No. 29/315,364, Applicant: Ri-Na Sin, et al., filed Jun. 18, 2009 entitled Hard Disk Drive.

* cited by examiner

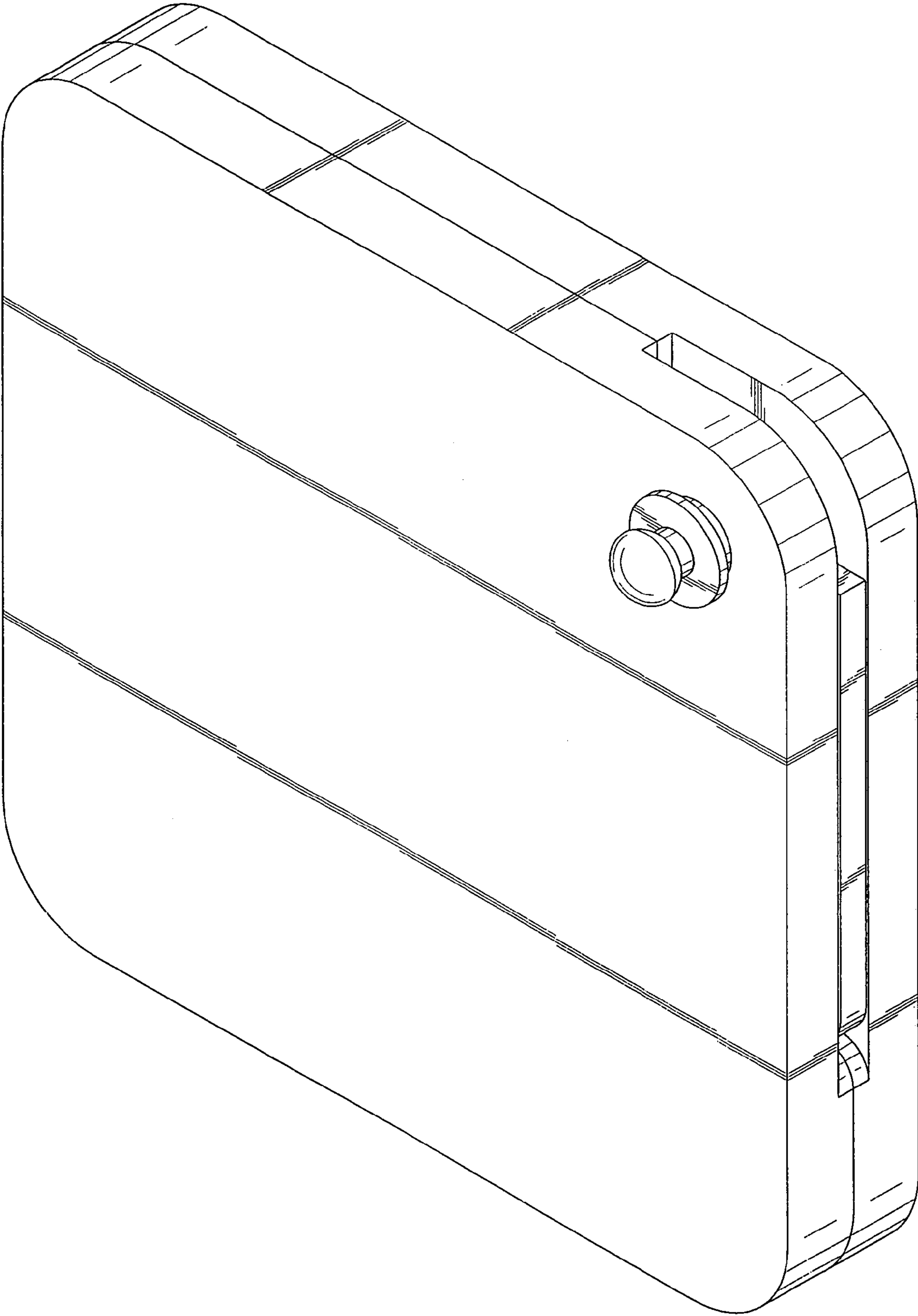


FIG. 1

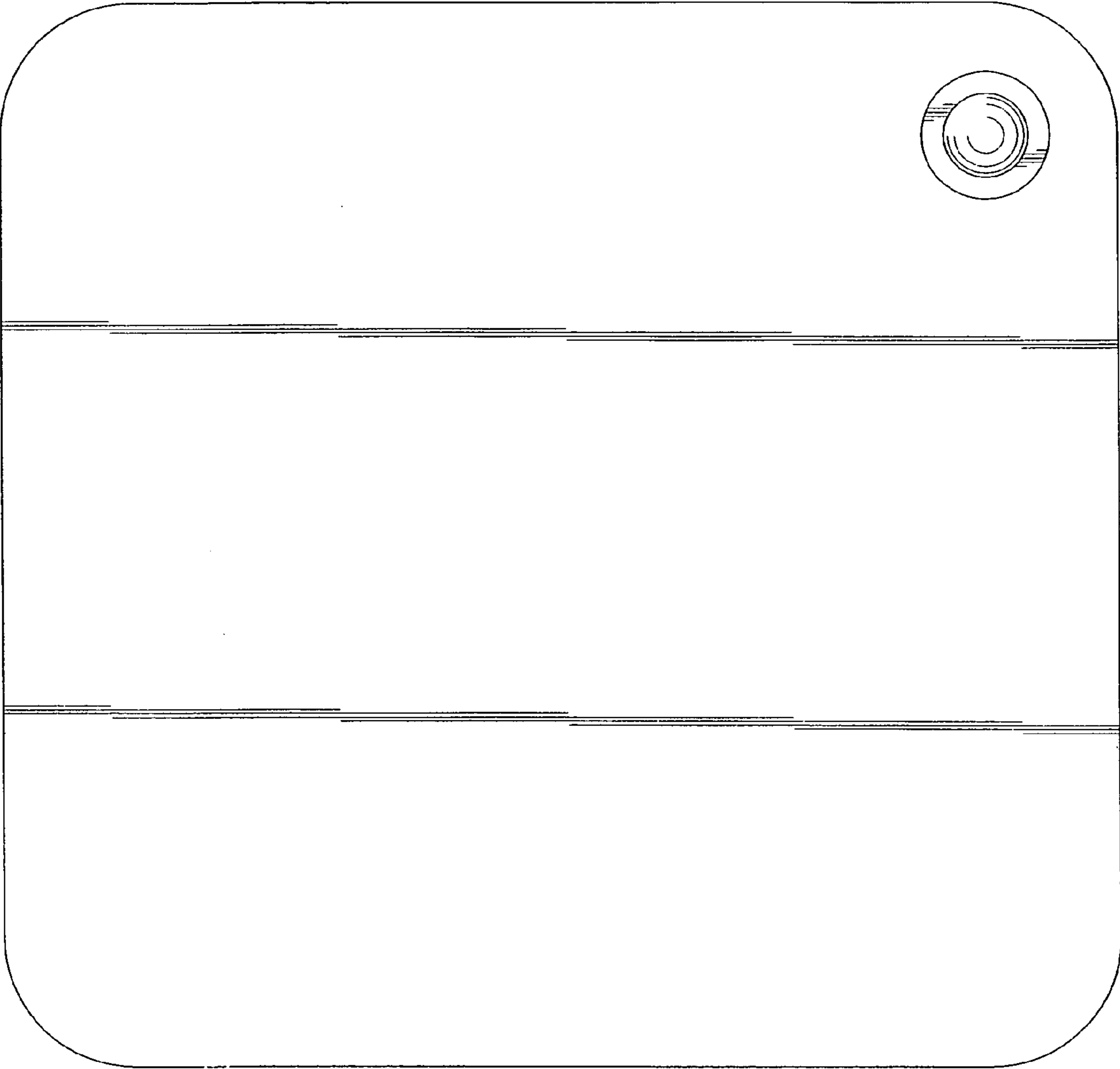


FIG. 2

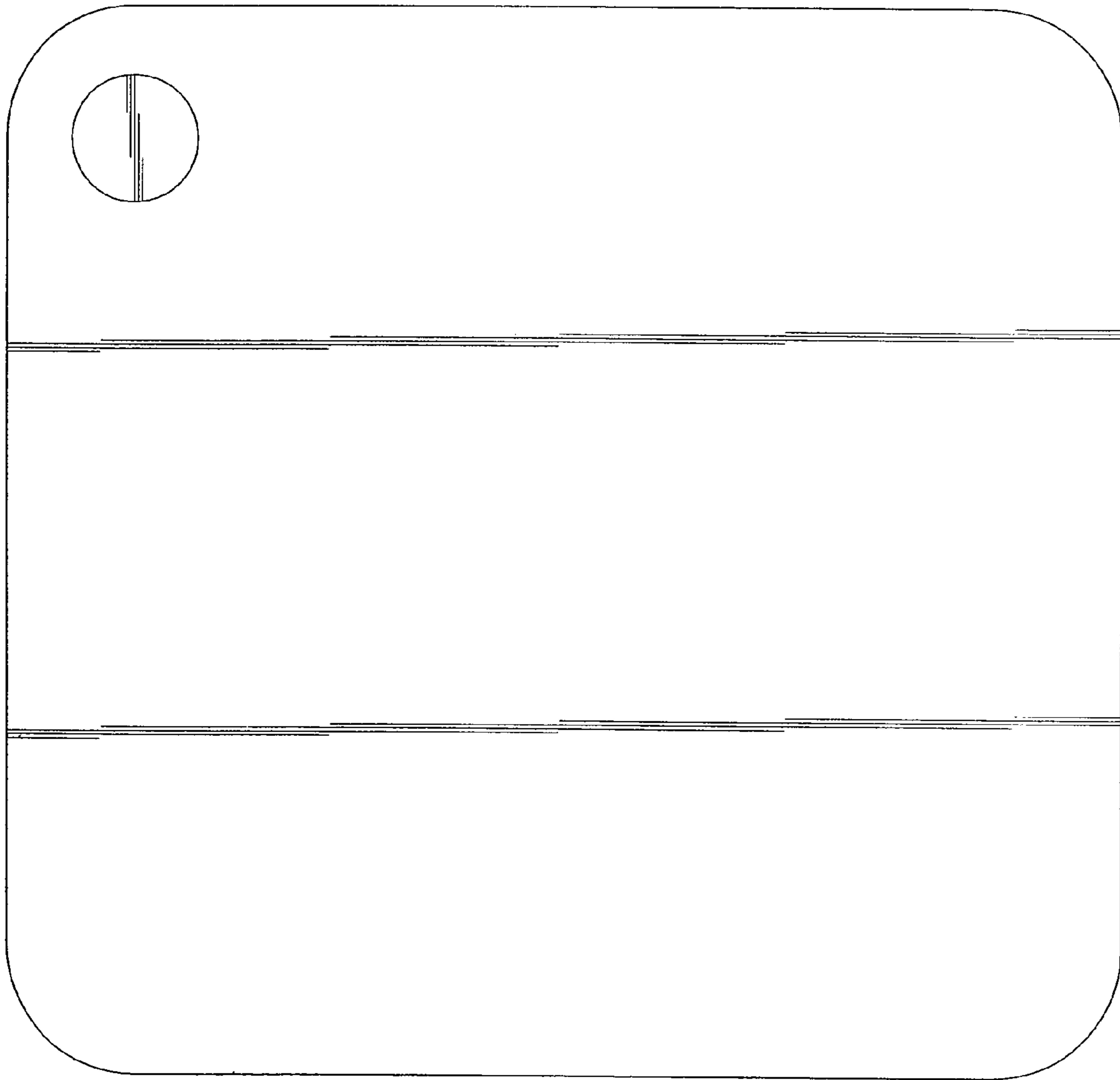


FIG. 3

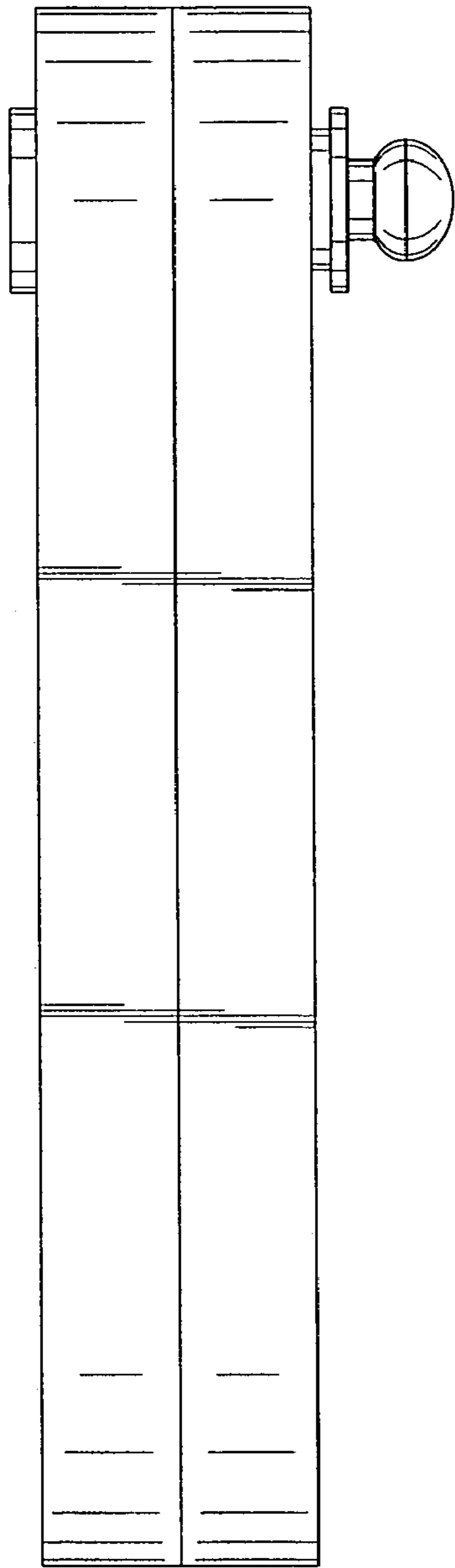


FIG. 4

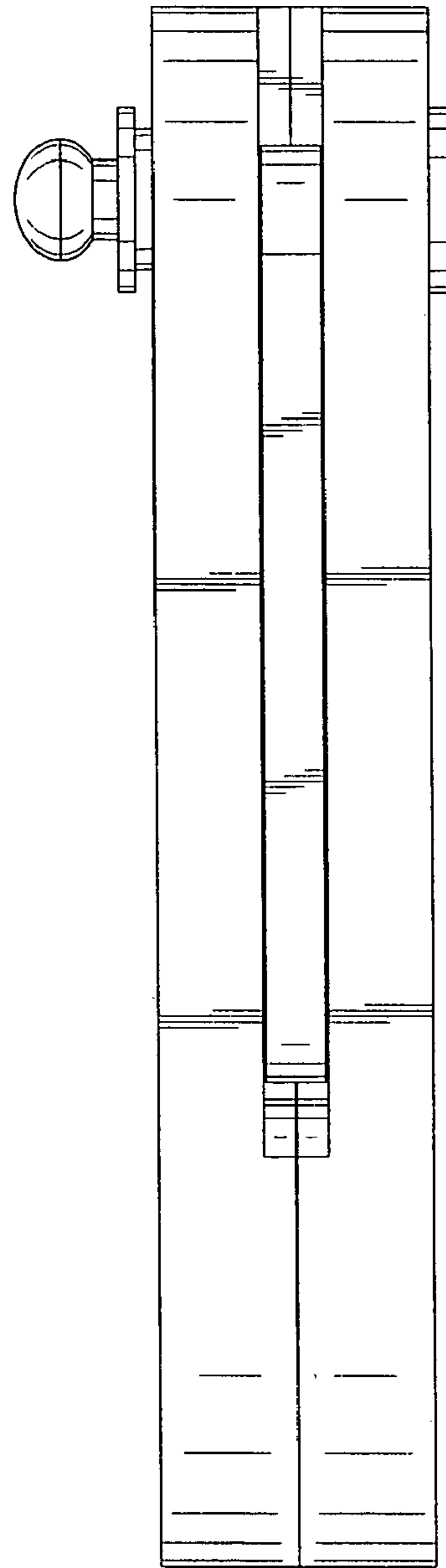


FIG. 5

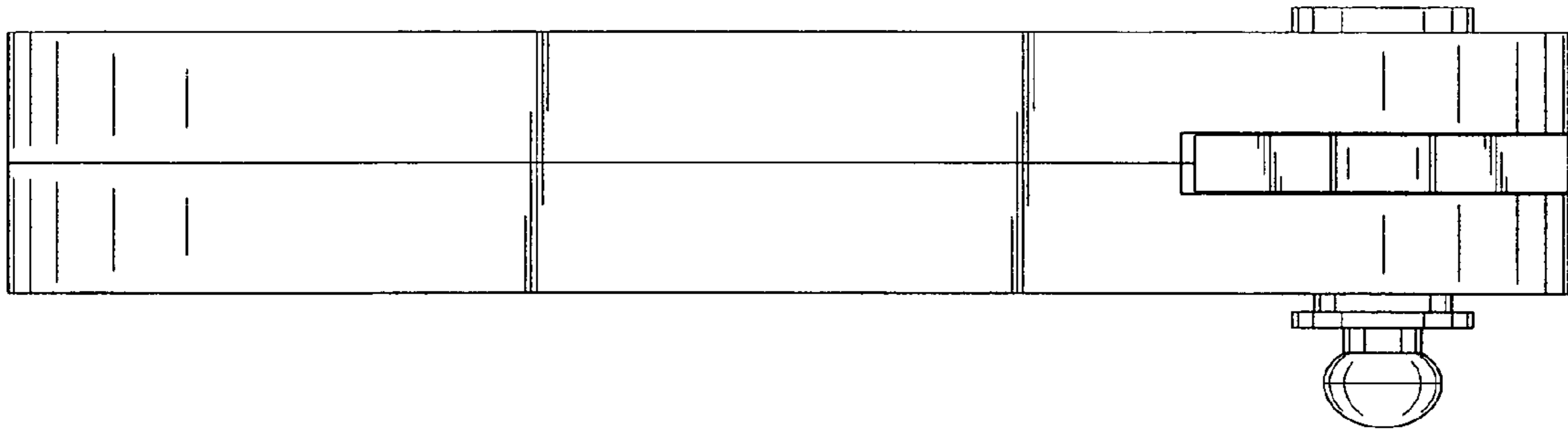


FIG. 6

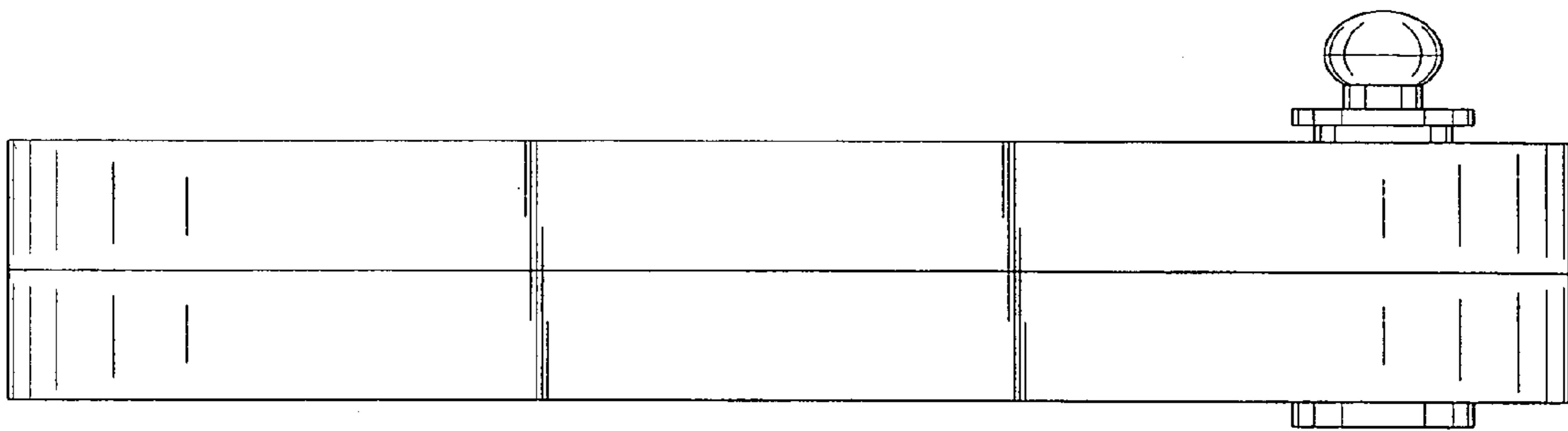


FIG. 7