



US00D619135S

(12) **United States Design Patent**  
**Lin**

(10) **Patent No.:** **US D619,135 S**  
(45) **Date of Patent:** **\*\* Jul. 6, 2010**

(54) **LIQUID CRYSTAL DISPLAY**

(75) Inventor: **Chin-Jen Lin**, Zhonghe (TW)

(73) Assignee: **Top Victory Investments Ltd.**, Harbour (HK)

(\*\*) Term: **14 Years**

(21) Appl. No.: **29/344,599**

(22) Filed: **Oct. 1, 2009**

(51) **LOC (9) Cl.** ..... **14-02**

(52) **U.S. Cl.** ..... **D14/374**

(58) **Field of Classification Search** ..... D14/371–375,  
D14/336, 337, 341, 320, 331, 125–129; 341/12,  
341/22; 345/104, 156, 168, 173, 901–905;  
348/180, 184, 325, 837; 349/1, 2, 11, 62;  
361/679.08, 679.21, 679.23, 679.27

See application file for complete search history.

(56) **References Cited**

**U.S. PATENT DOCUMENTS**

D407,077	S *	3/1999	Shibata	.....	D14/374
D472,897	S *	4/2003	Park	.....	D14/375
D473,869	S *	4/2003	Tai	.....	D14/375
D496,934	S *	10/2004	Borsboom	.....	D14/371
7,014,154	B2 *	3/2006	Jeong et al.	.....	248/157
D523,855	S *	6/2006	Zhang et al.	.....	D14/375
7,072,175	B2 *	7/2006	Ho	.....	361/679.21

7,336,479	B2 *	2/2008	Liu et al.	.....	361/679.27
D593,092	S *	5/2009	Huang	.....	D14/374
2005/0041379	A1 *	2/2005	Jang	.....	361/681

\* cited by examiner

*Primary Examiner*—Freda S Nunn

(74) *Attorney, Agent, or Firm*—Alan Kamrath; Kamrath & Associates PA

(57) **CLAIM**

The ornamental design for liquid crystal display, as shown and described.

**DESCRIPTION**

FIG. 1 is a perspective view of a liquid crystal display showing my new design;

FIG. 2 is a front side elevational view thereof;

FIG. 3 is a rear side elevational view thereof;

FIG. 4 is a left elevational view thereof;

FIG. 5 is a right elevational view thereof;

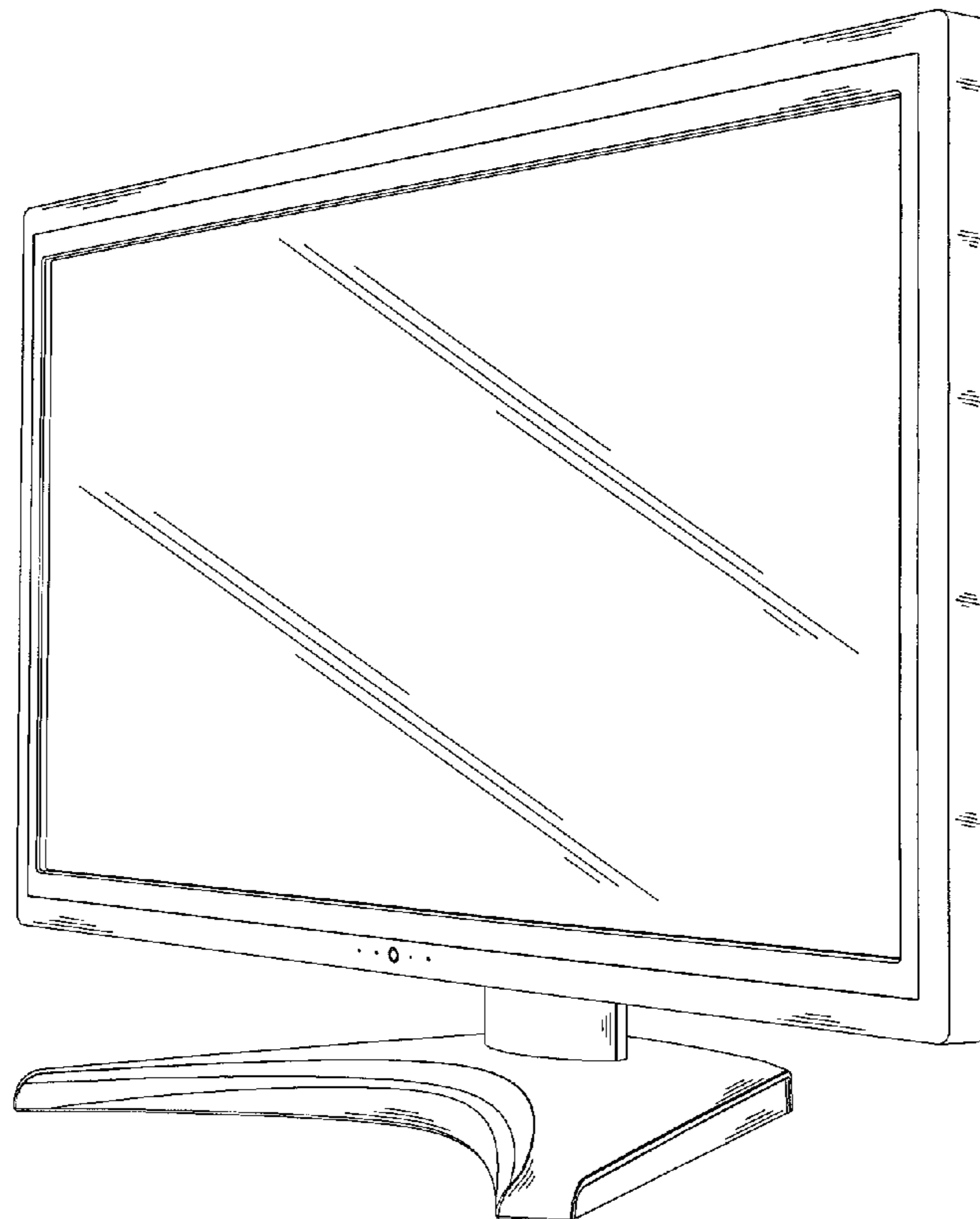
FIG. 6 is a top plan view thereof;

FIG. 7 is a bottom plan view thereof;

FIG. 8 is a second perspective view of a liquid crystal display showing my new design; and,

FIG. 9 is a cross-sectional view thereof taken along lines 9—9 in FIG. 2.

**1 Claim, 9 Drawing Sheets**



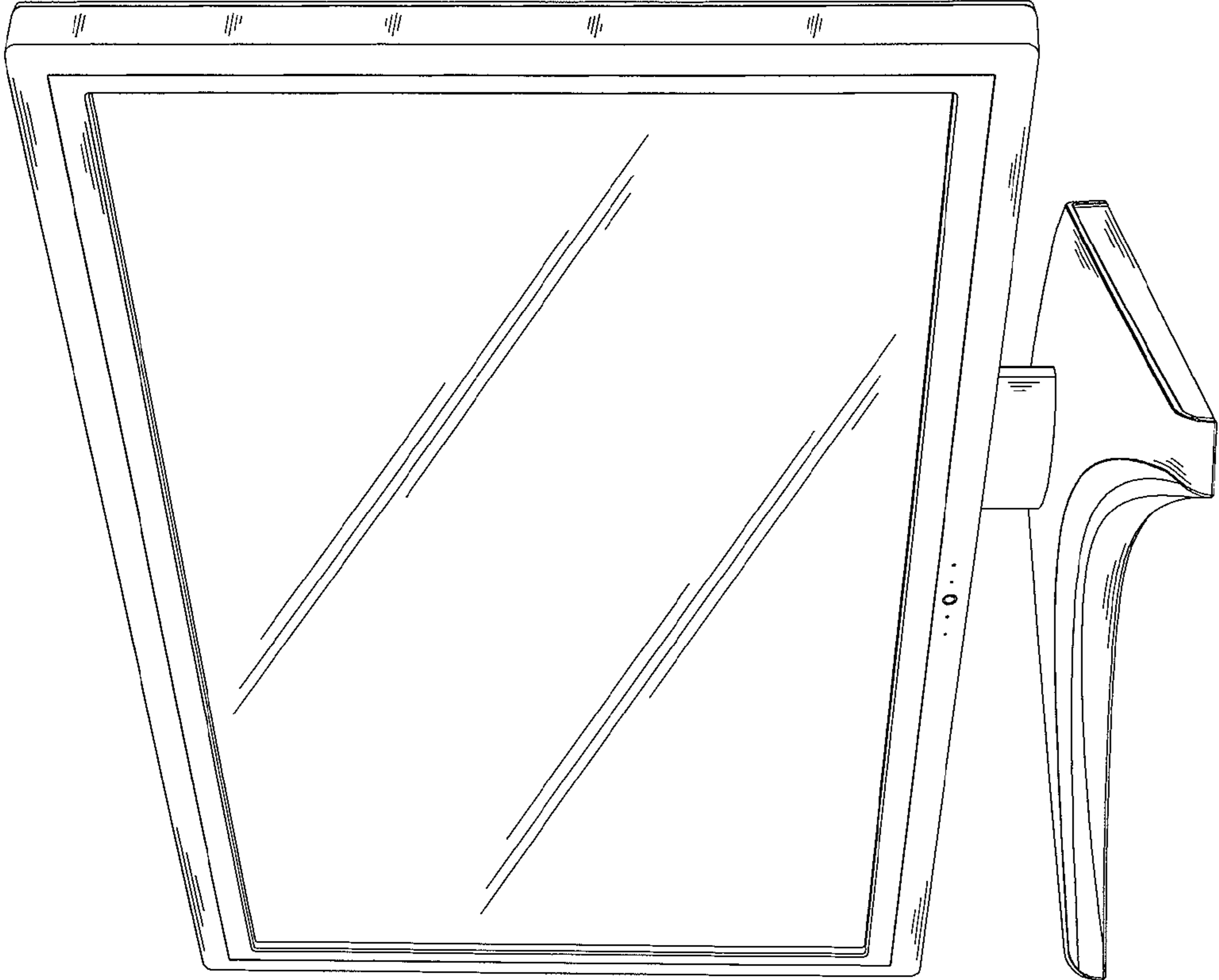


Fig. 1

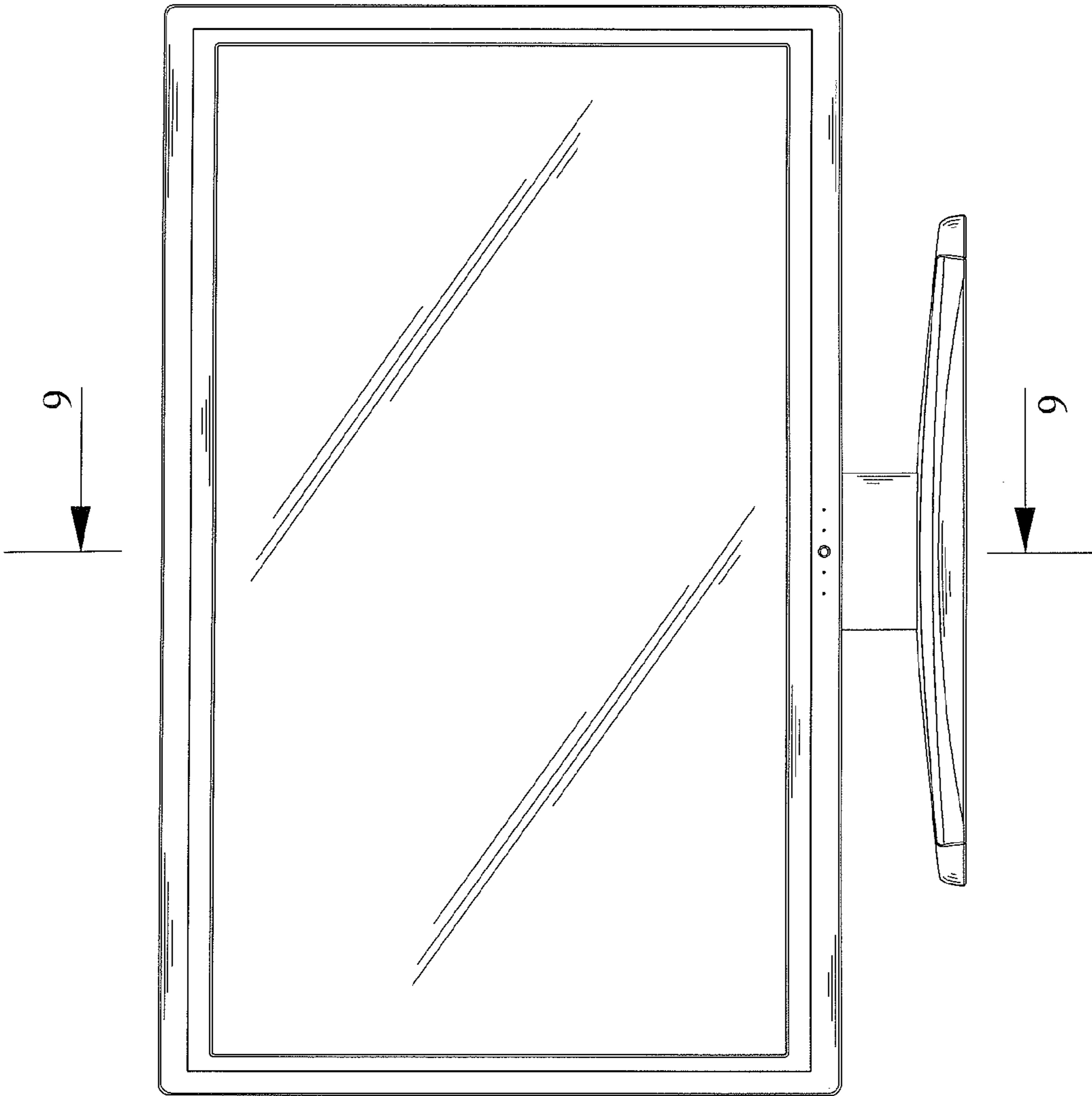


Fig. 2

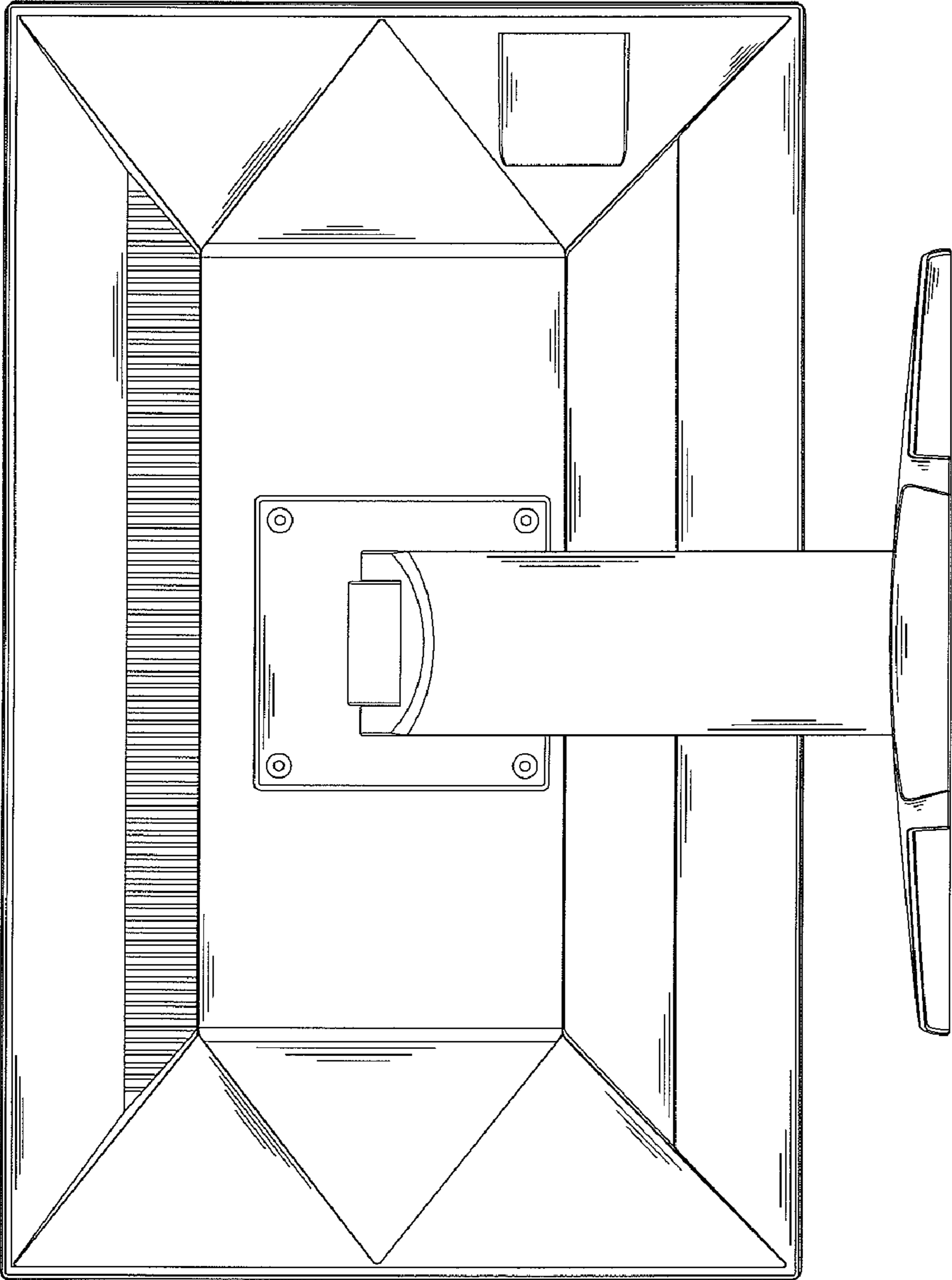


Fig. 3

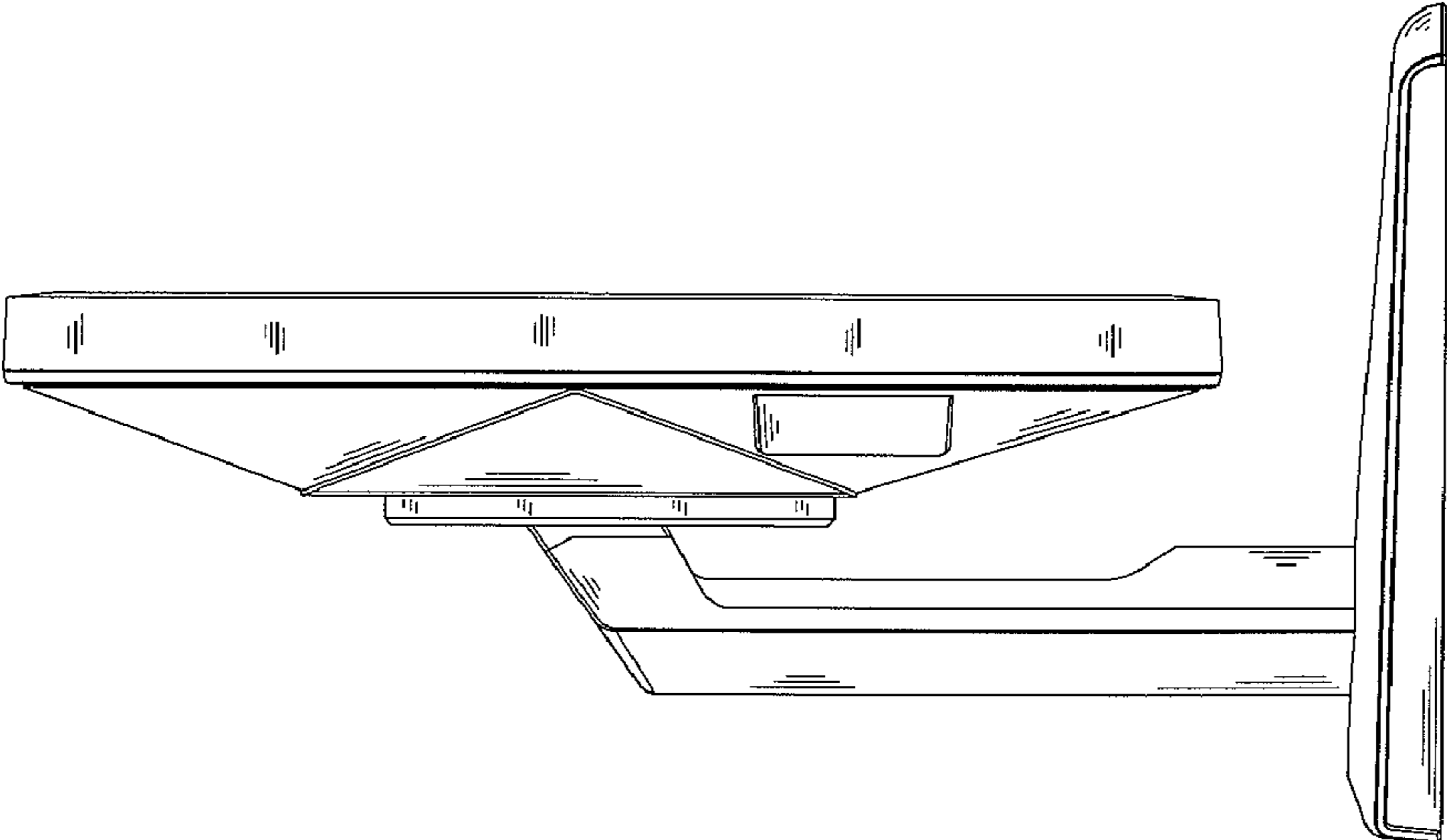


Fig. 4

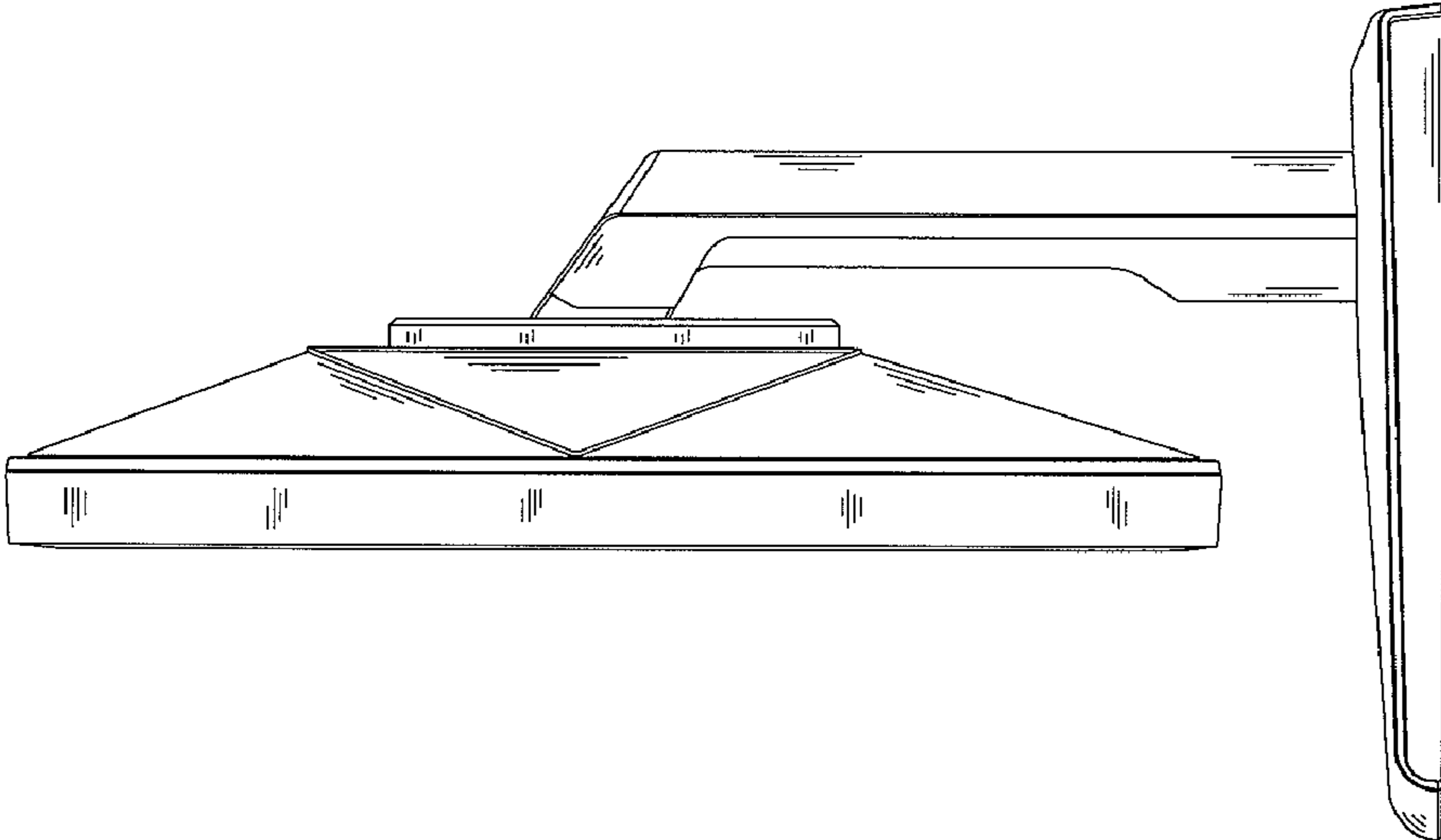


Fig. 5

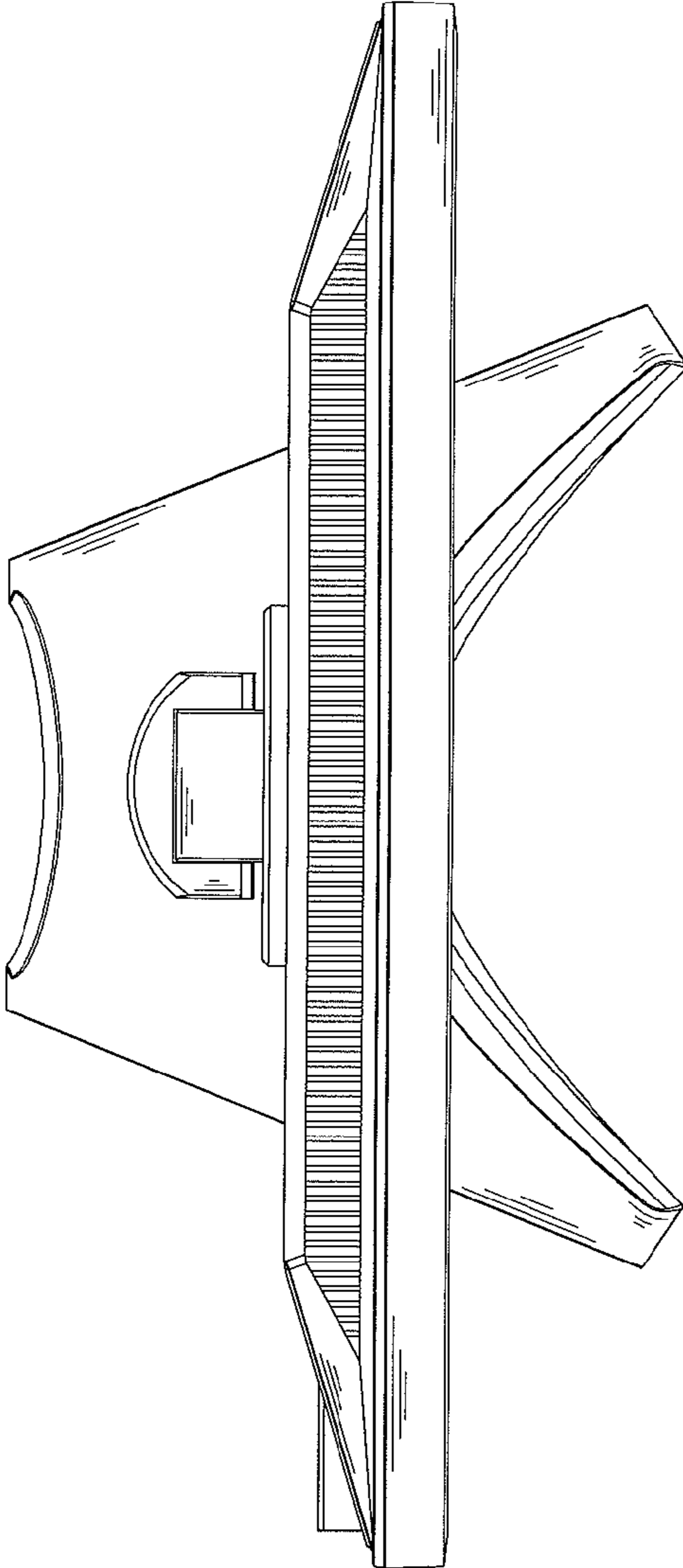


Fig. 6

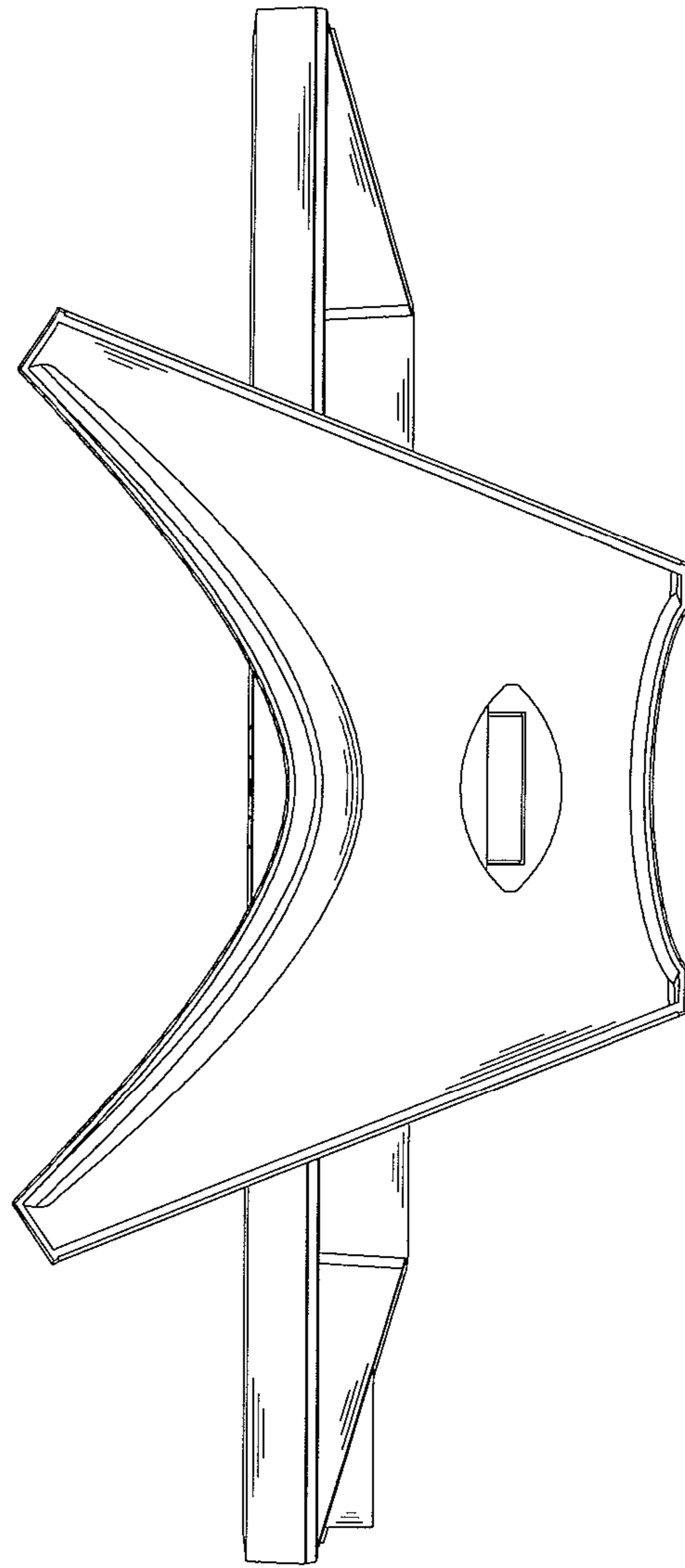


Fig. 7



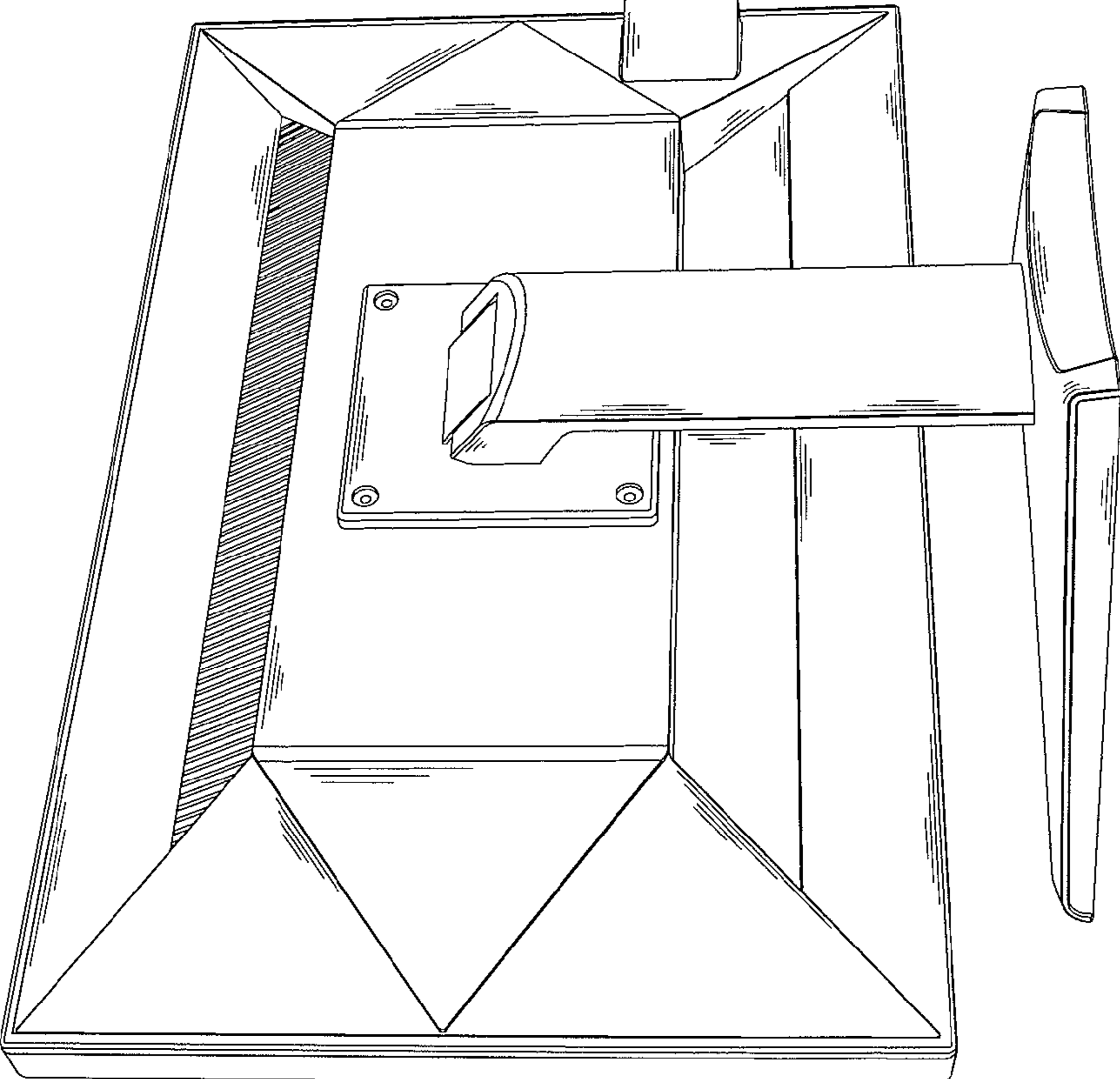


Fig. 8

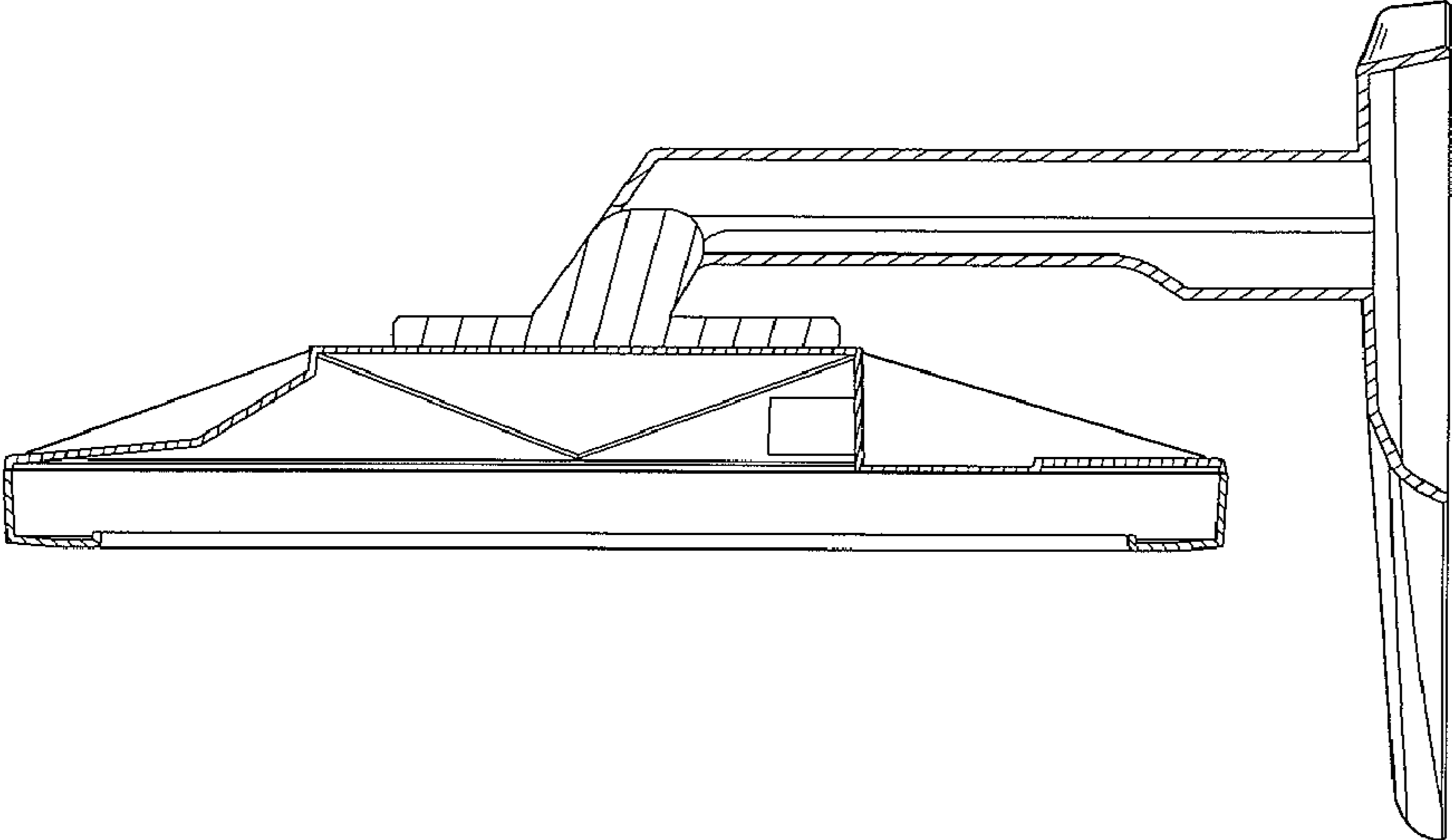


Fig. 9