



US00D619134S

(12) **United States Design Patent**
Tsai et al.

(10) **Patent No.:** **US D619,134 S**
(45) **Date of Patent:** **** Jul. 6, 2010**

(54) **LIQUID CRYSTAL DISPLAY**

(75) Inventors: **Yao-Hsing Tsai**, Zhonghe (TW);
Chin-Jen Lin, Zhonghe (TW)

(73) Assignee: **Top Victory Investments Ltd.**, Harbour
(HK)

(**) Term: **14 Years**

(21) Appl. No.: **29/344,610**

(22) Filed: **Oct. 1, 2009**

(51) **LOC (9) Cl.** **14-02**

(52) **U.S. Cl.** **D14/371; D14/374**

(58) **Field of Classification Search** D14/371-375,
D14/336, 337, 341, 320, 331, 125-129; 341/12,
341/22; 345/104, 156, 168, 173, 901-905;
348/180, 184, 325, 837; 349/1, 2, 11, 62;
361/679.08, 679.21, 679.23, 679.27

See application file for complete search history.

(56) **References Cited**

U.S. PATENT DOCUMENTS

D424,538 S *	5/2000	Hayashi et al.	D14/374
D458,238 S *	6/2002	Niitsu	D14/126
D469,090 S *	1/2003	Tsuji	D14/374
D495,706 S *	9/2004	Lin et al.	D14/374
D496,361 S *	9/2004	Hotta	D14/374
6,807,051 B2 *	10/2004	Takahashi	361/679.23
6,837,469 B2 *	1/2005	Wu et al.	248/278.1
D502,179 S *	2/2005	Cha et al.	D14/375
D519,117 S *	4/2006	Lewis	D14/374
D543,164 S *	5/2007	Yang et al.	D14/126

D600,695 S *	9/2009	Niitsu et al.	D14/371
2003/0058372 A1 *	3/2003	Williams et al.	348/836
2004/0113031 A1 *	6/2004	Sung	248/146

* cited by examiner

Primary Examiner—Freda S Nunn

(74) *Attorney, Agent, or Firm*—Alan Kamrath; Kamrath & Associates PA

(57) **CLAIM**

The ornamental design for liquid crystal display, as shown and described.

DESCRIPTION

FIG. 1 is a perspective view of a liquid crystal display showing my new design;

FIG. 2 is a front side elevational view thereof;

FIG. 3 is a rear side elevational view thereof;

FIG. 4 is a left elevational view thereof;

FIG. 5 is a right elevational view thereof;

FIG. 6 is a top plan view thereof;

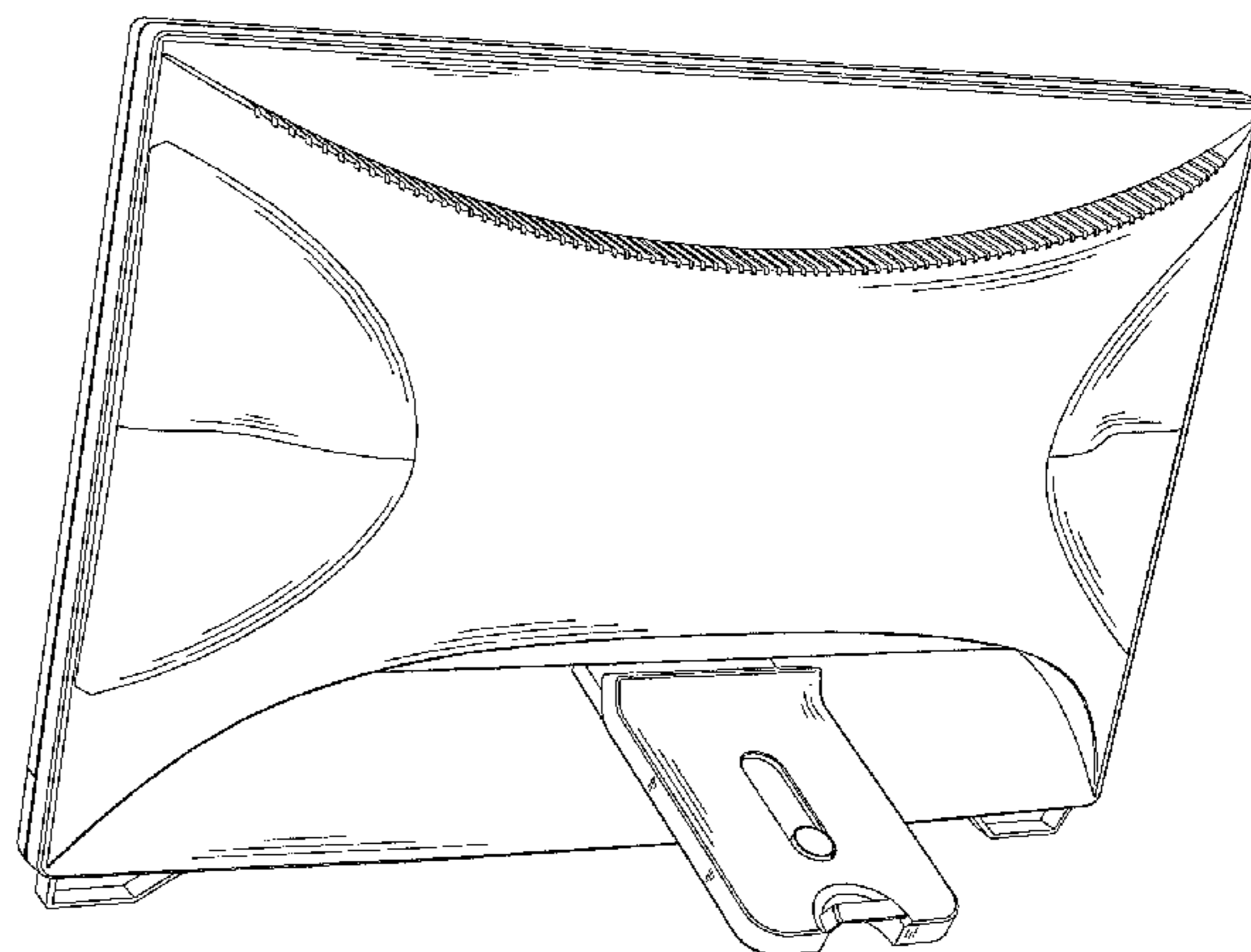
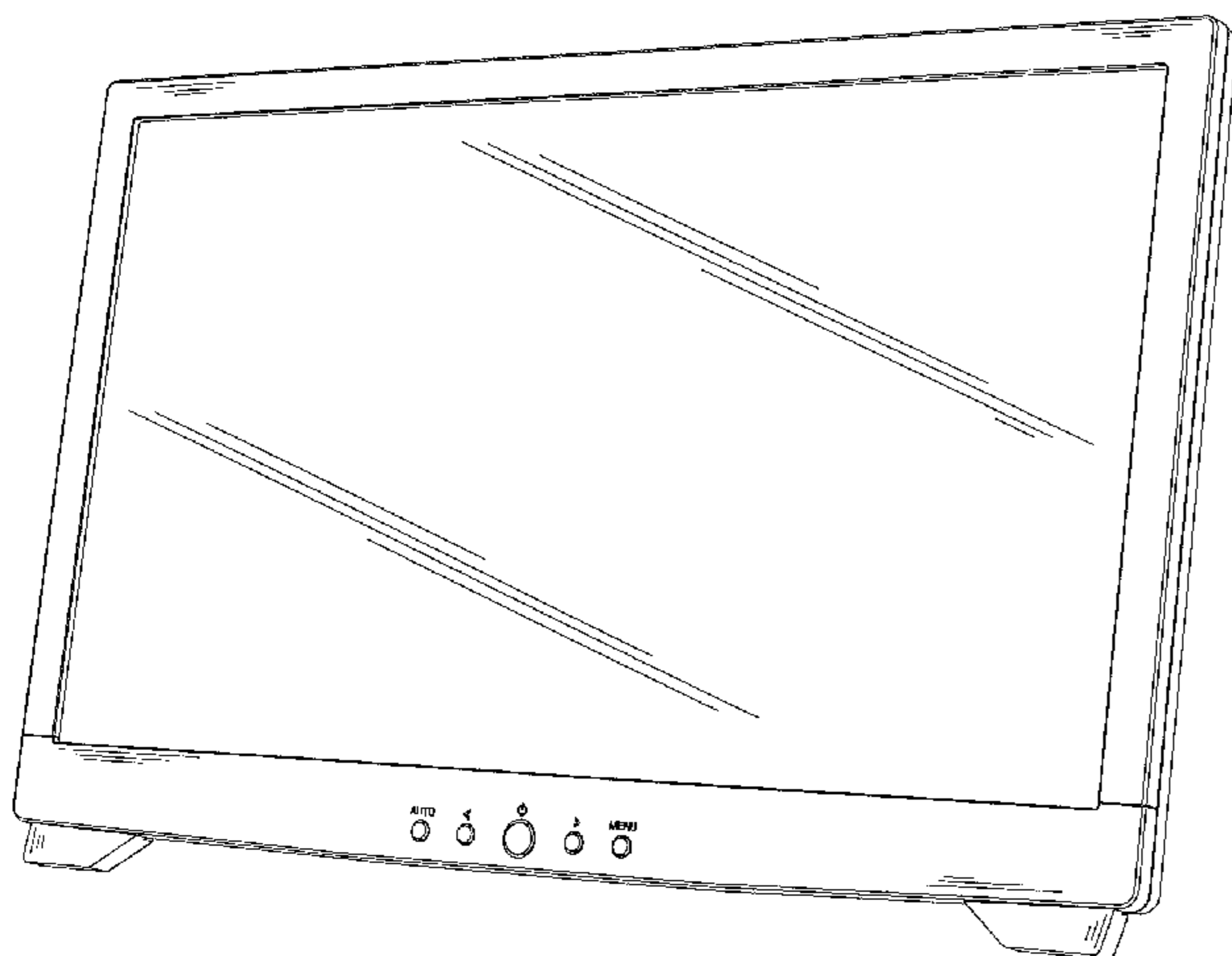
FIG. 7 is a bottom plan view thereof;

FIG. 8 is a second perspective view of a liquid crystal display showing my new design;

FIG. 9 is a third perspective view of a liquid crystal display showing my new design; and,

FIG. 10 is a cross-sectional view thereof taken along lines 10—10 in FIG. 2.

1 Claim, 10 Drawing Sheets



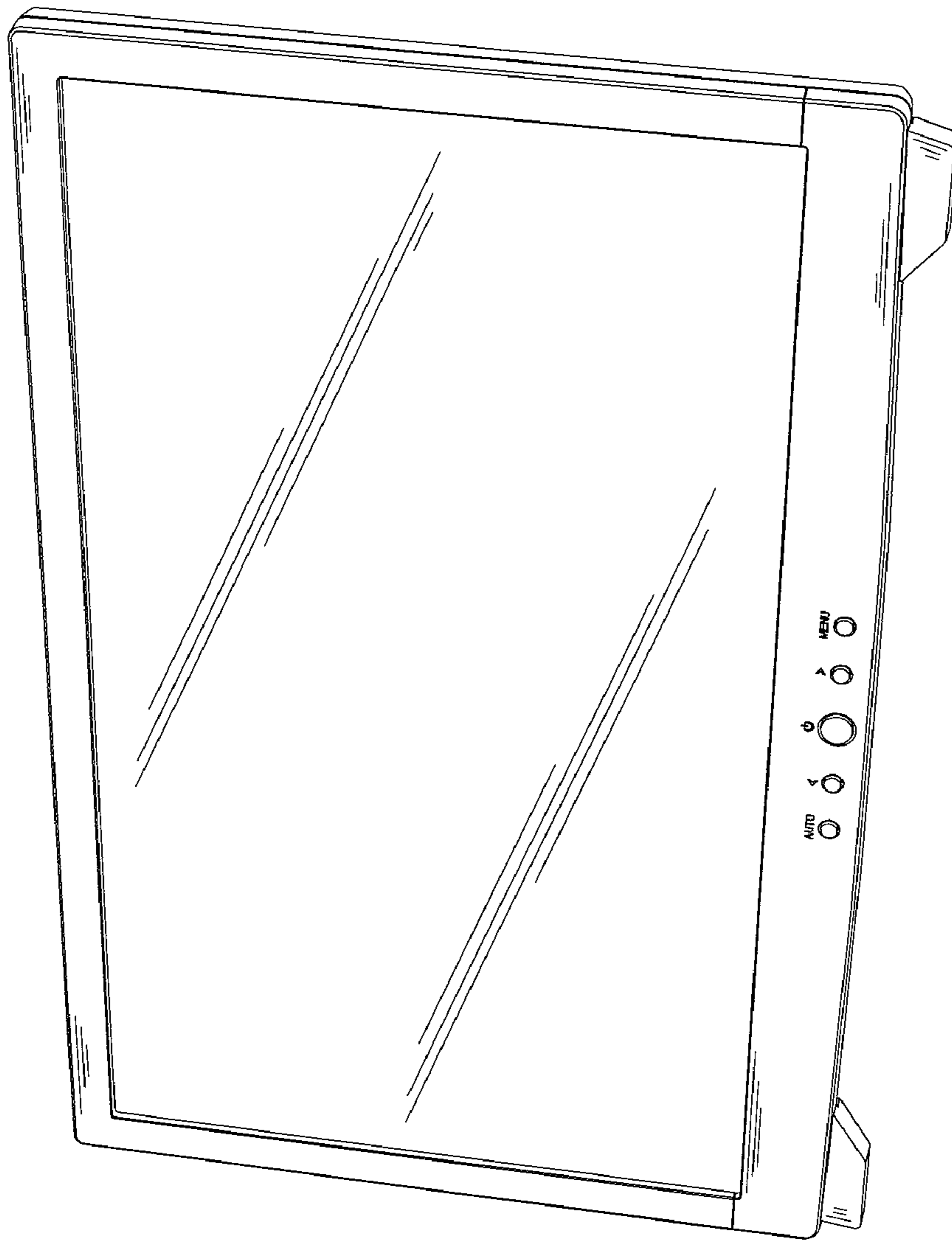


Fig. 1

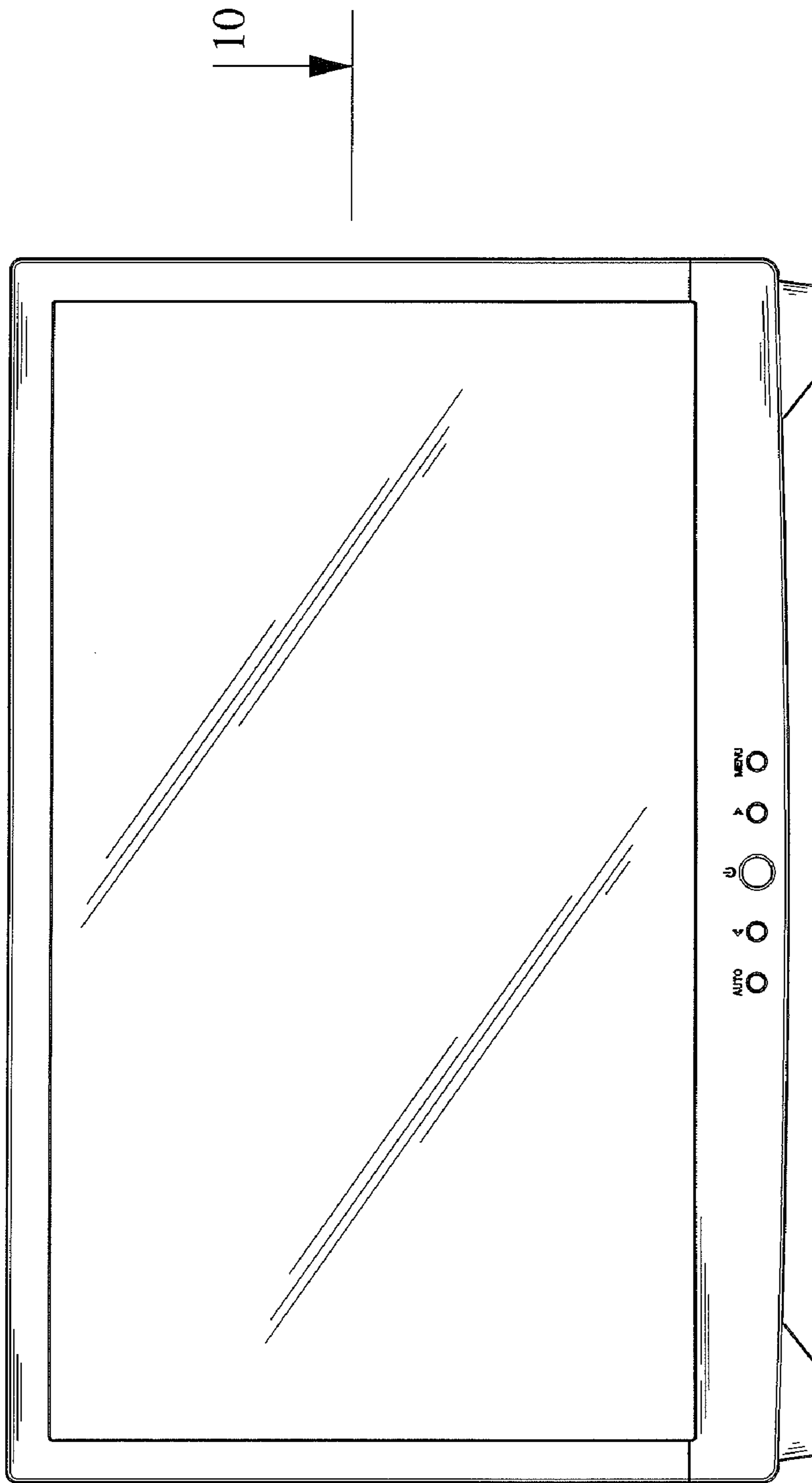


Fig. 2

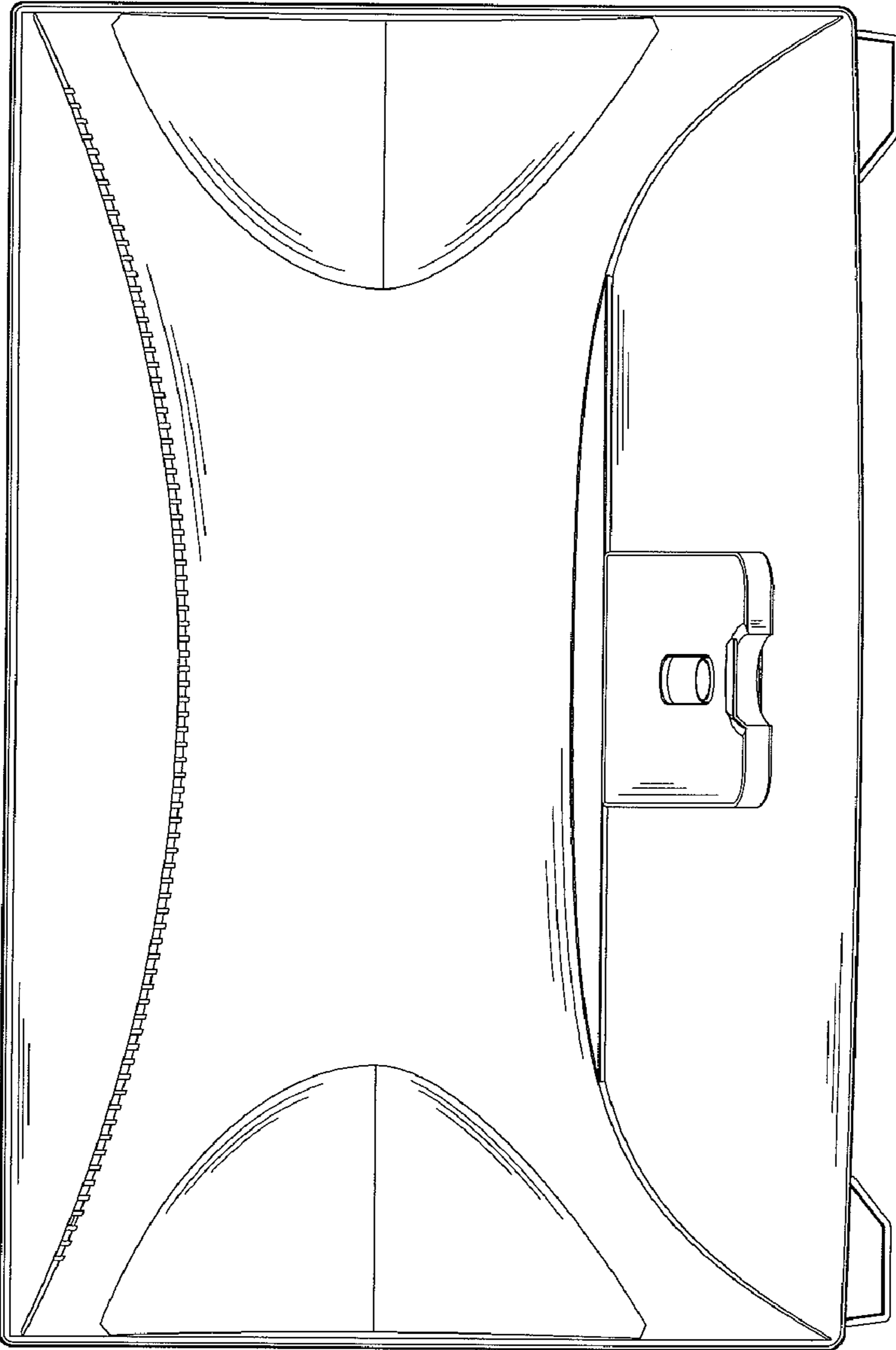


Fig. 3

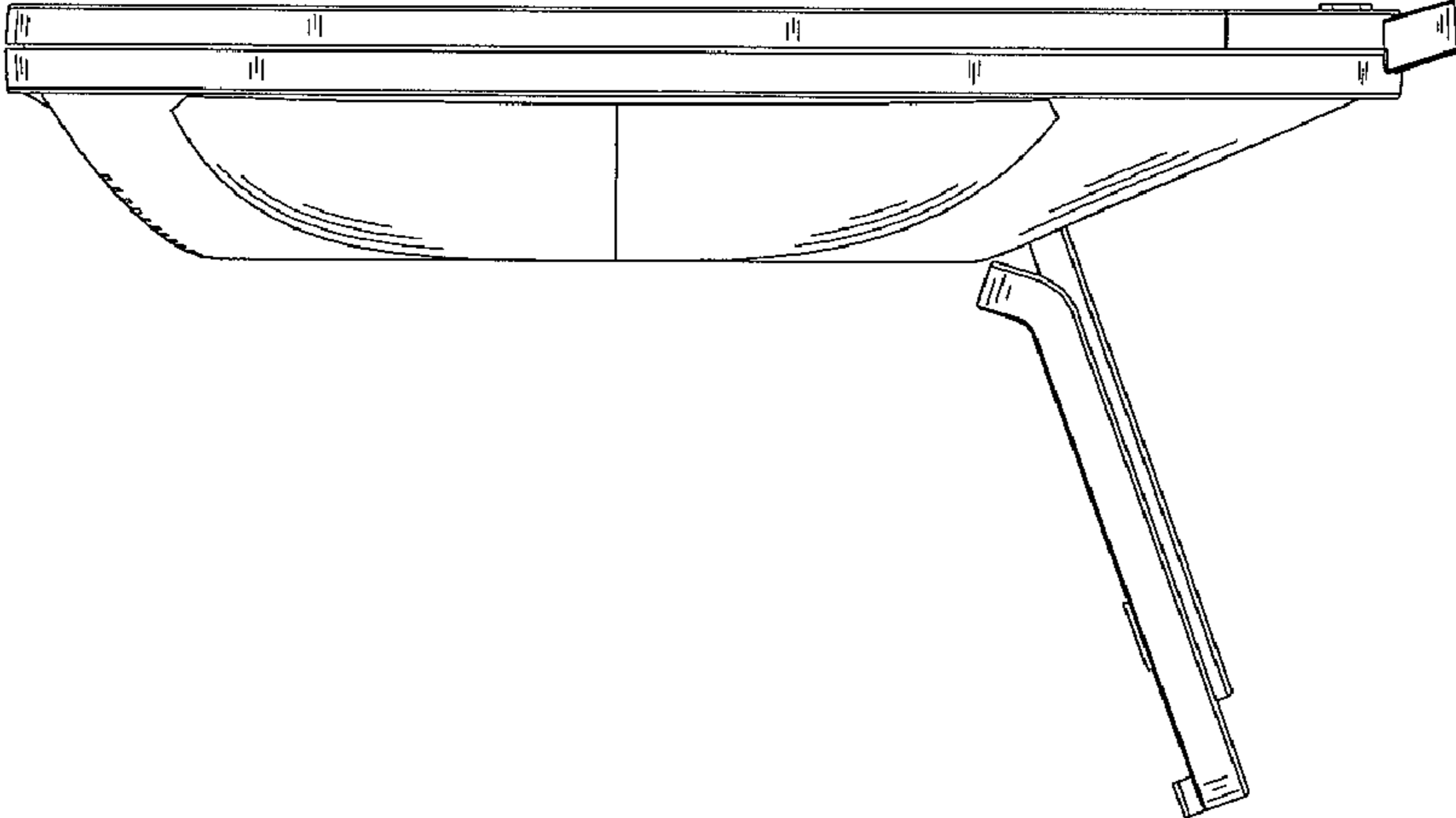


Fig. 4

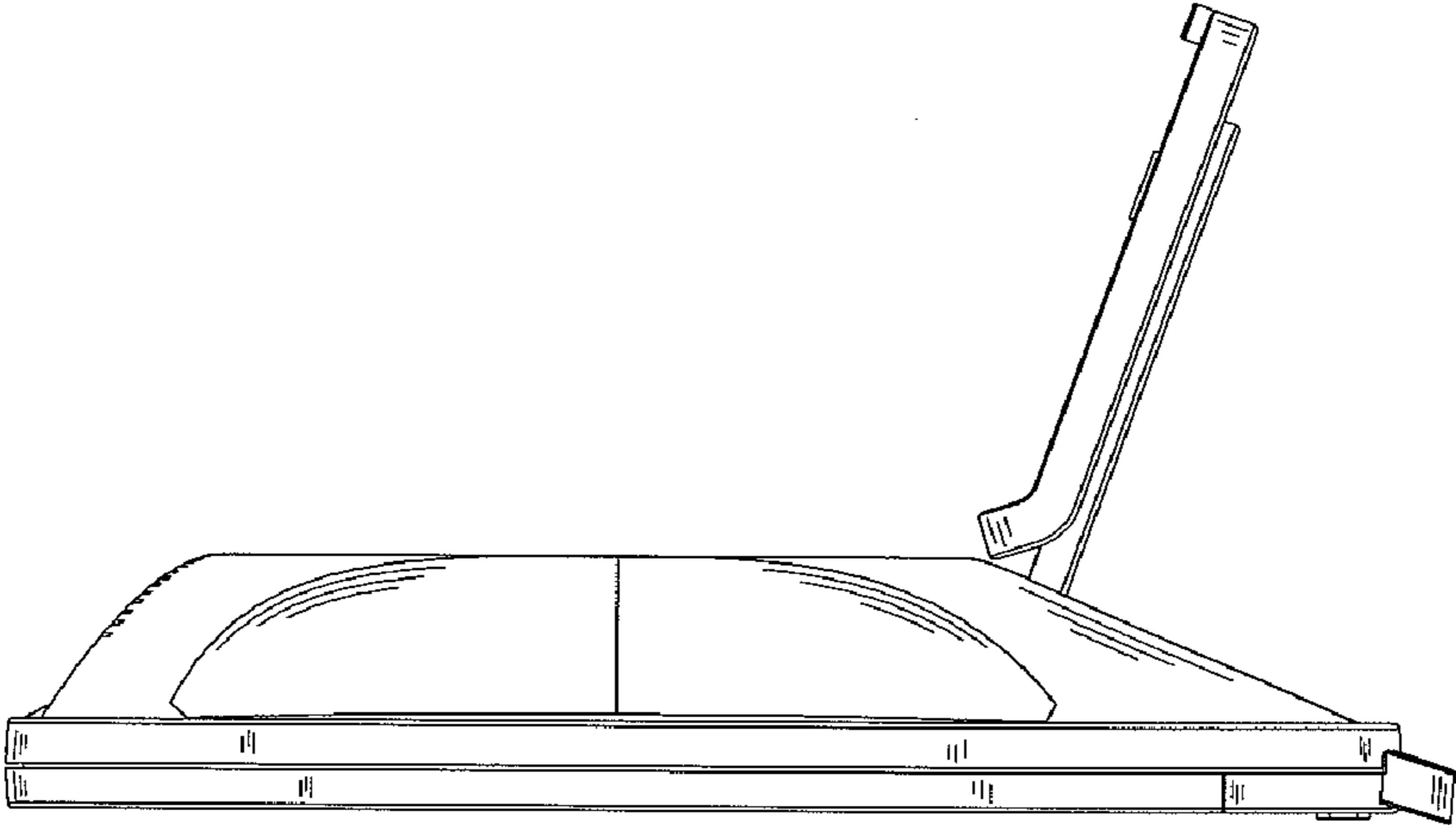


Fig. 5

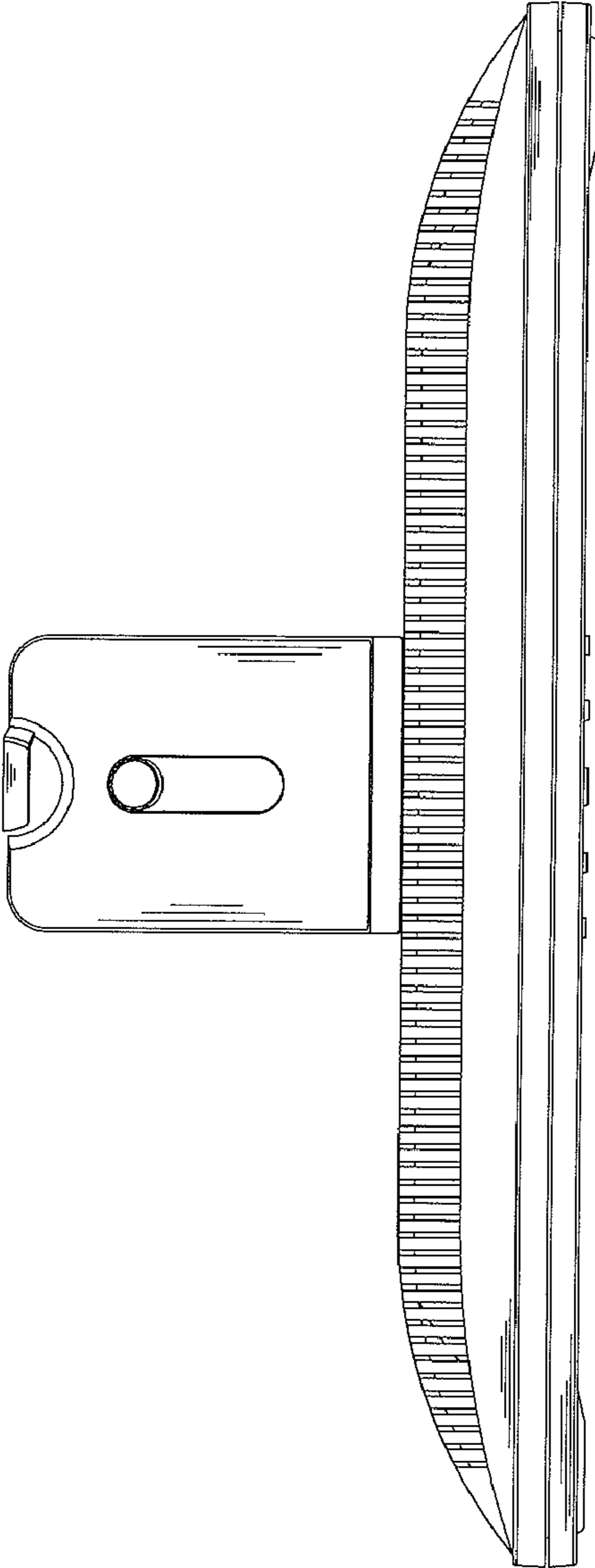


Fig. 6

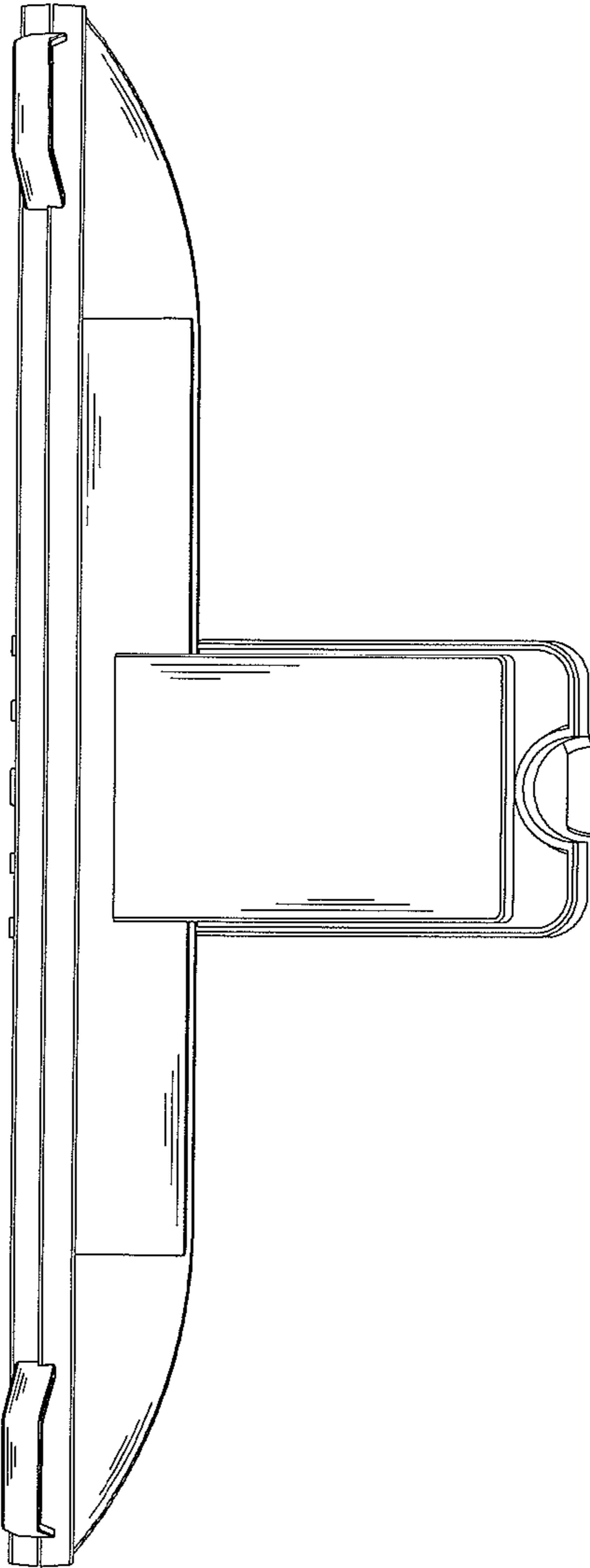


Fig. 7

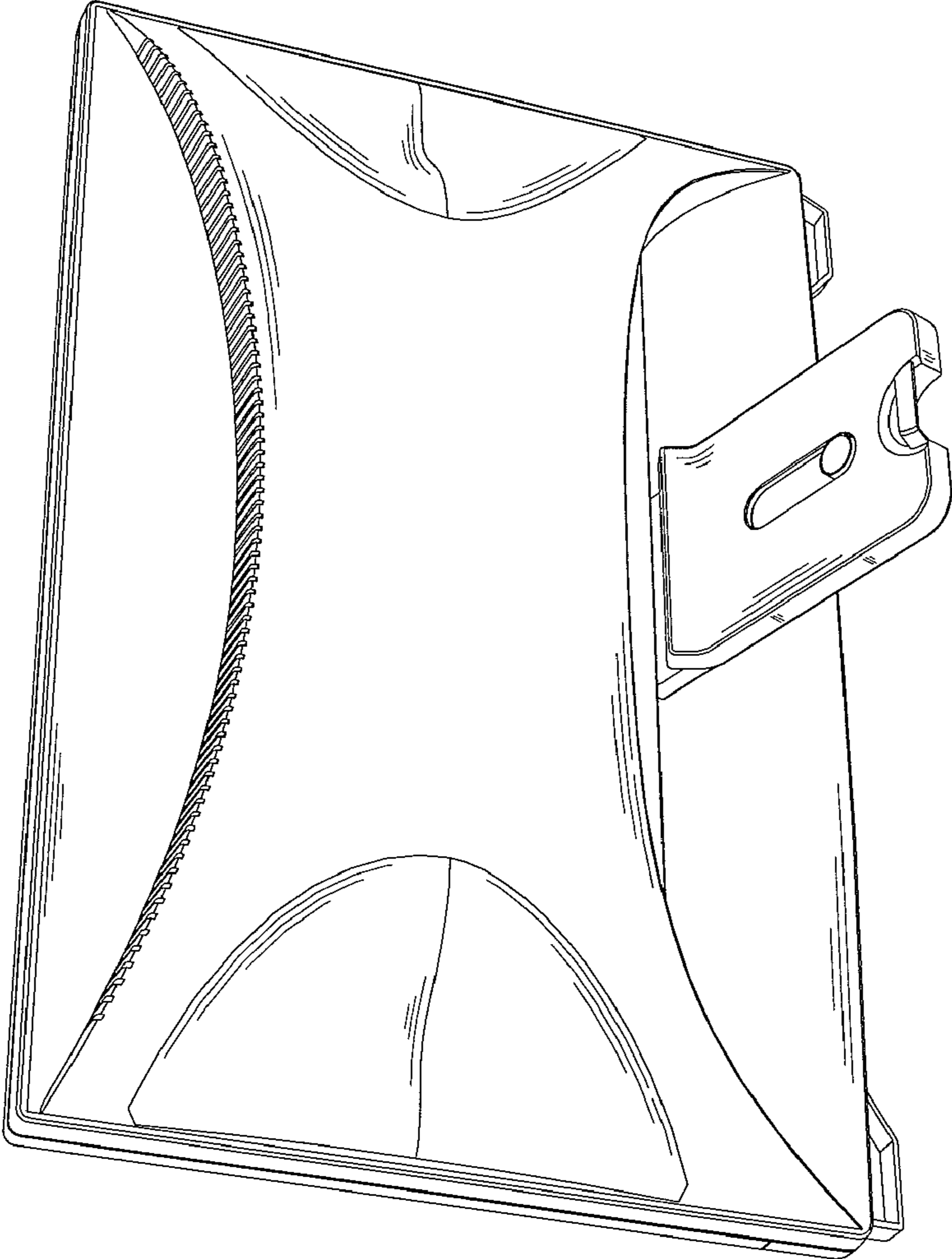


Fig. 8

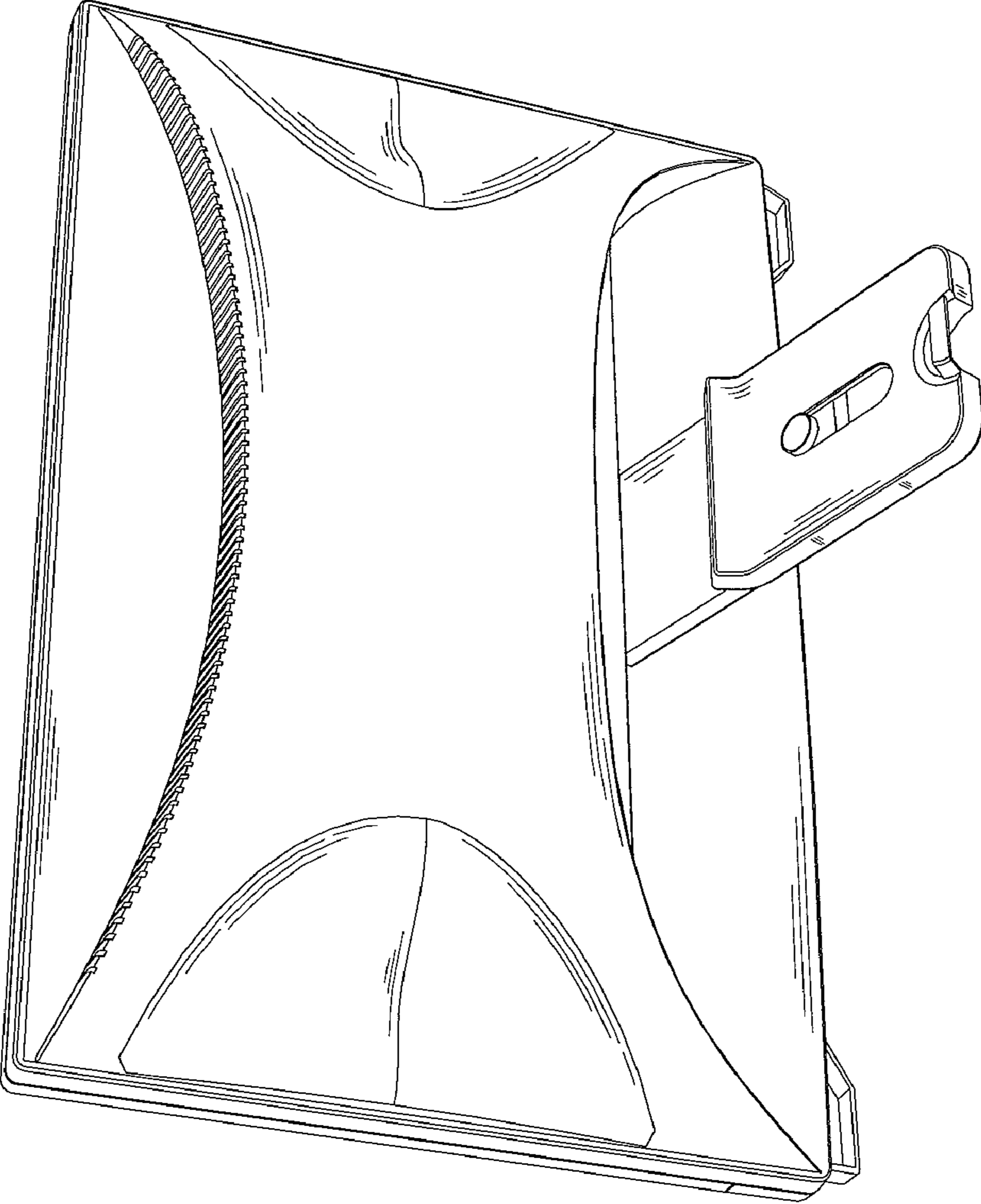


Fig. 9

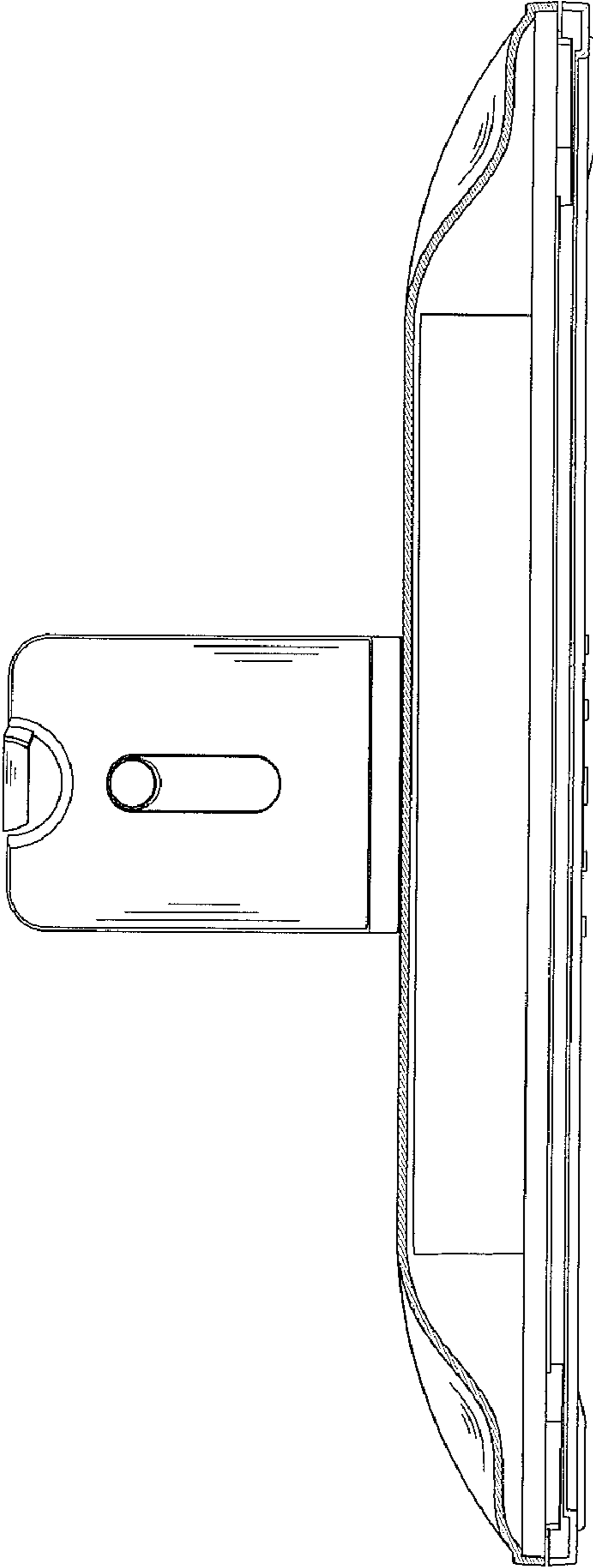


Fig. 10