



US00D619133S

(12) **United States Design Patent**
Bucsa

(10) **Patent No.:** **US D619,133 S**

(45) **Date of Patent:** **** Jul. 6, 2010**

(54) **INTERACTIVE COMPUTERIZED SYSTEM**

D496,035 S * 9/2004 Chen et al. D14/337
D539,797 S * 4/2007 Chiang et al. D14/337

(75) Inventor: **Doru Ioan Bucsa**, Oakville (CA)

* cited by examiner

(73) Assignee: **Metronic Technologies Corporation**,
Oakville, ON (CA)

Primary Examiner—Freda S Nunn

(**) Term: **14 Years**

(57) **CLAIM**

(21) Appl. No.: **29/318,532**

The ornamental design for an interactive computerized system, as shown and described.

(22) Filed: **May 21, 2008**

DESCRIPTION

(51) **LOC (9) Cl.** **14-02**

(52) **U.S. Cl.** **D14/314**

(58) **Field of Classification Search** D14/336,
D14/337, 371–375, 388, 211, 125–129; 345/104,
345/156, 168, 173, 901–905; 348/180, 184,
348/325, 739; 341/12; 248/917–924; 349/1,
349/2, 11, 62

See application file for complete search history.

FIG. 1 is a front, top and side perspective view of the interactive computerized system according to my new design;

FIG. 2 is a front, top and side perspective view into an alternate position of the system shown in FIG. 1;

FIG. 3 is a rear, top and side perspective view of the system shown in FIG. 1;

FIG. 4 is a rear elevation view of the system shown in FIG. 1;

FIG. 5 is a front elevation view of the system shown in FIG. 1; and,

FIG. 6 is a right side elevation view of the system shown in FIG. 1, the left side elevation view being a mirror image.

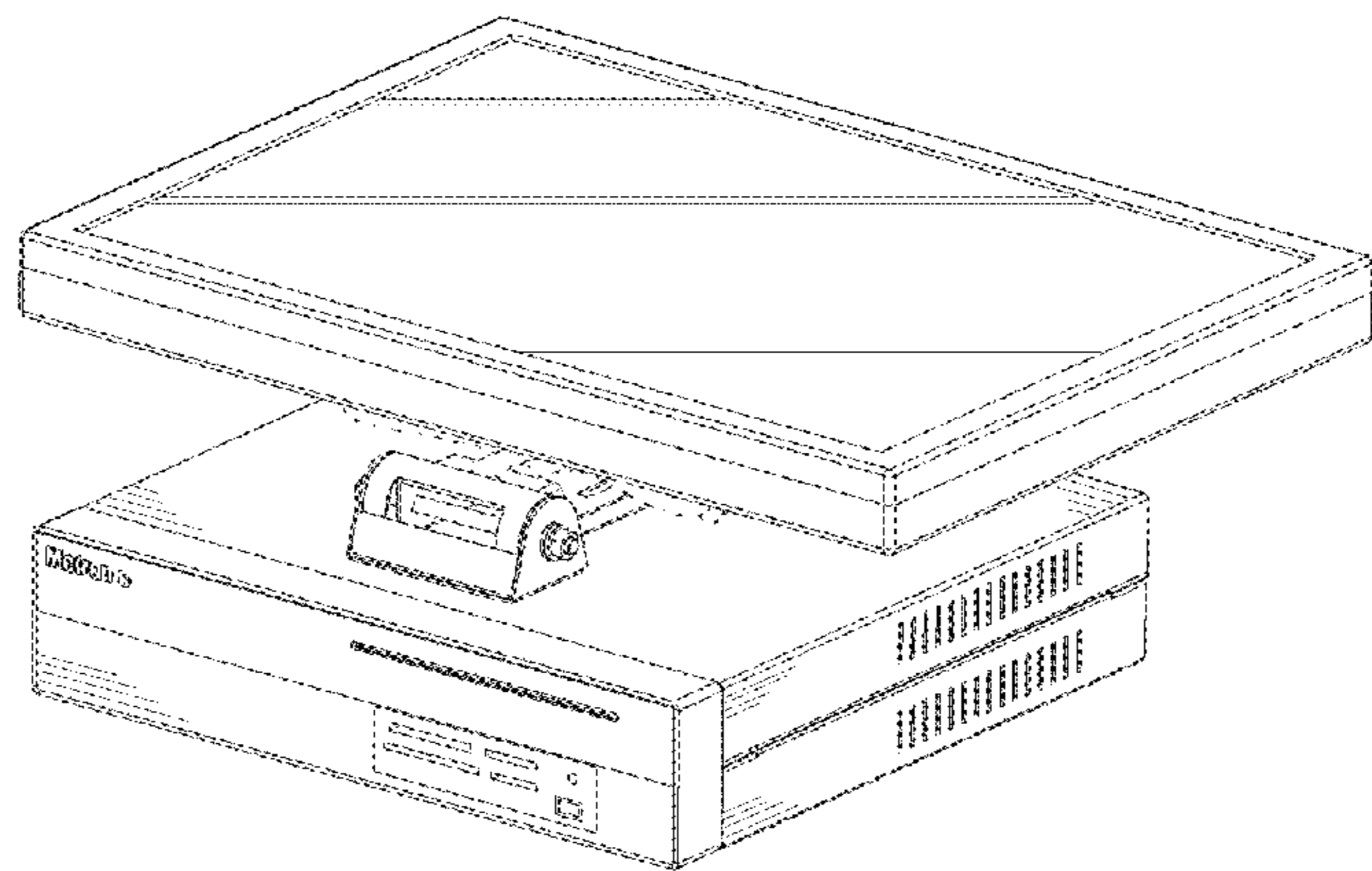
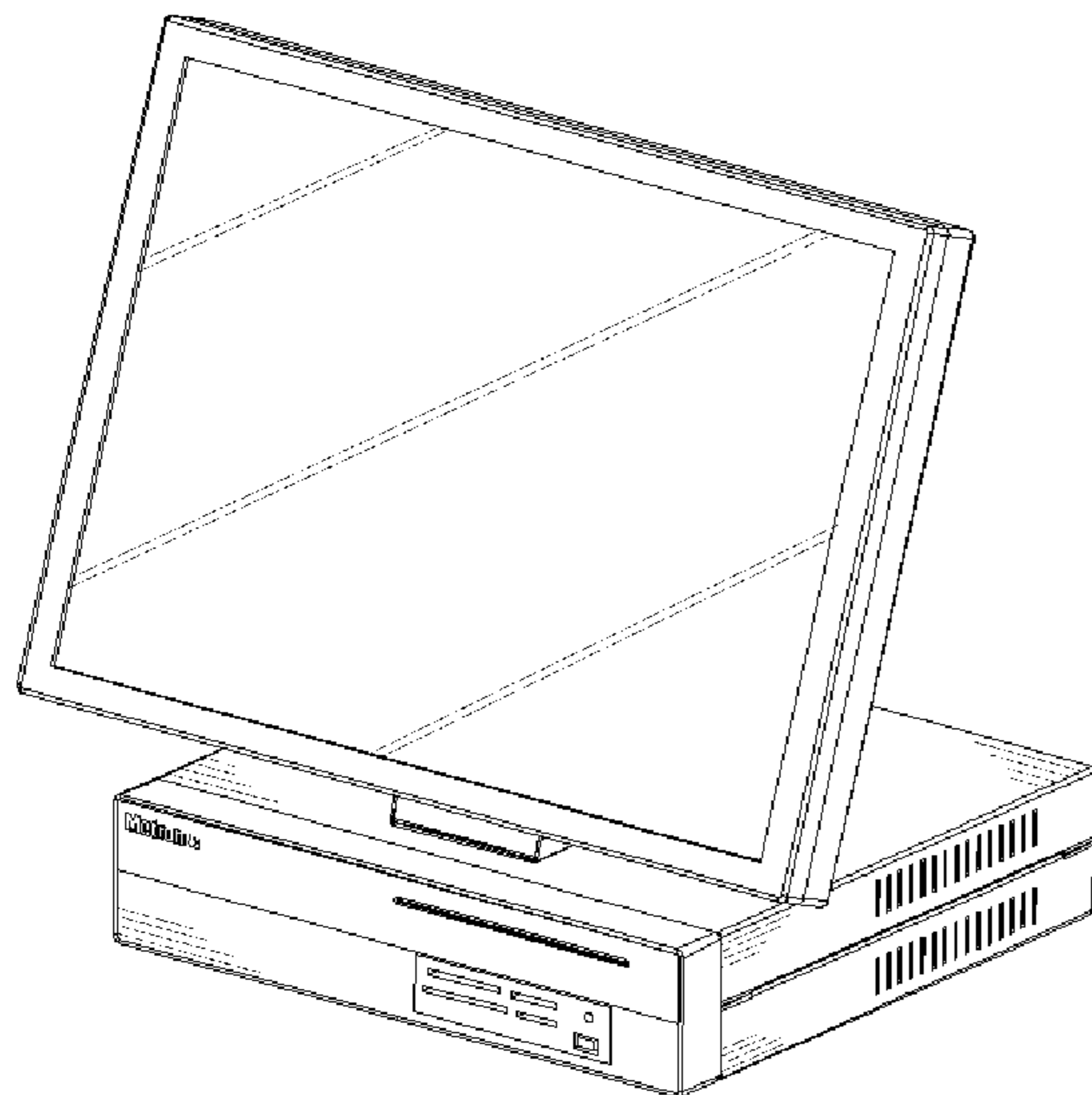
The portions of the interactive computerized system shown in broken lines form no part of the claimed design.

(56) **References Cited**

U.S. PATENT DOCUMENTS

D287,013 S * 12/1986 Satherley D14/337
D288,567 S * 3/1987 Moggridge D14/337
D354,949 S * 1/1995 Yao D14/337
D432,533 S * 10/2000 Jin D14/336
D451,917 S * 12/2001 Rahemtulla et al. D14/337
D494,176 S * 8/2004 Porter et al. D14/388

1 Claim, 3 Drawing Sheets



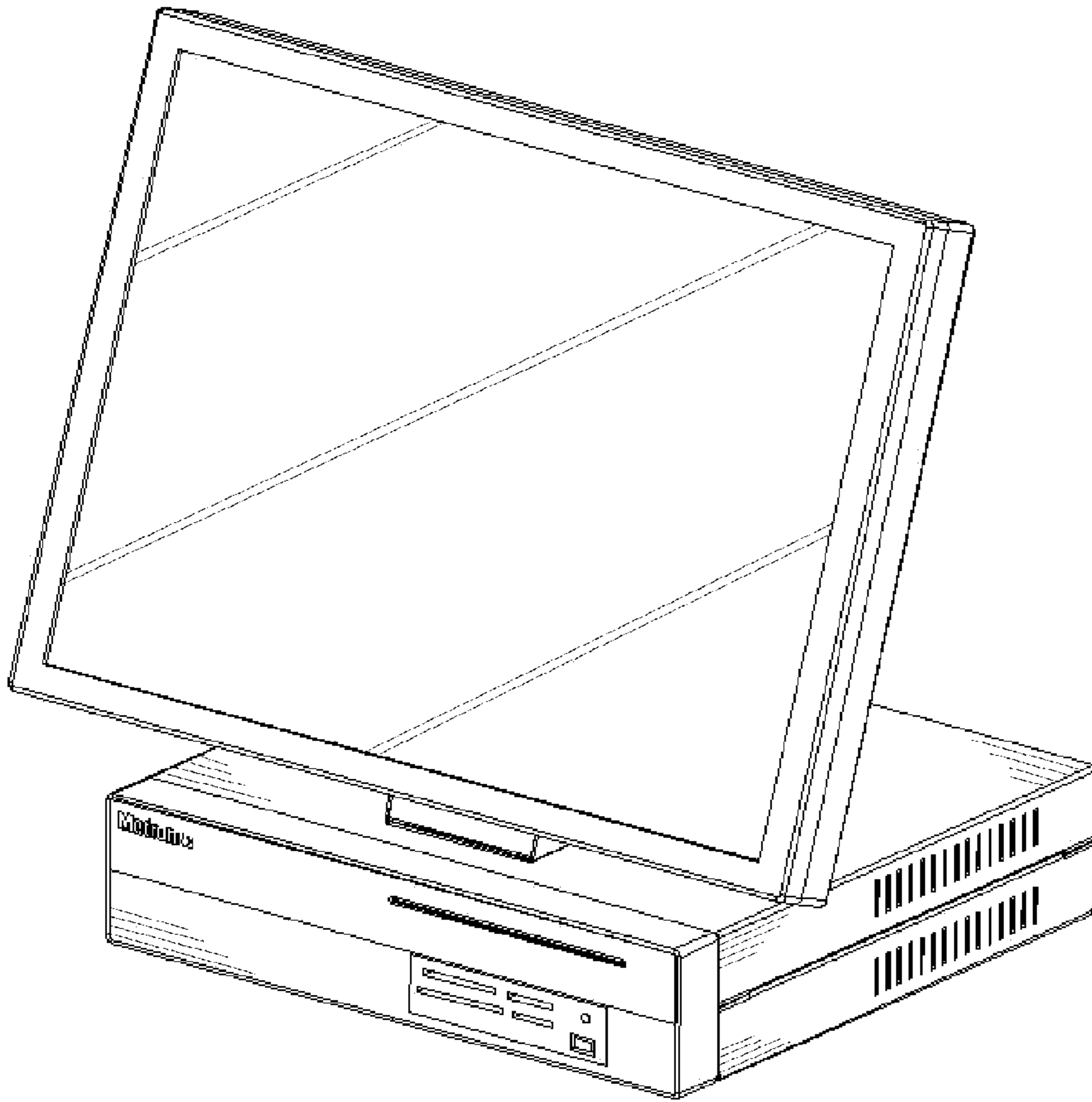


FIG. 1

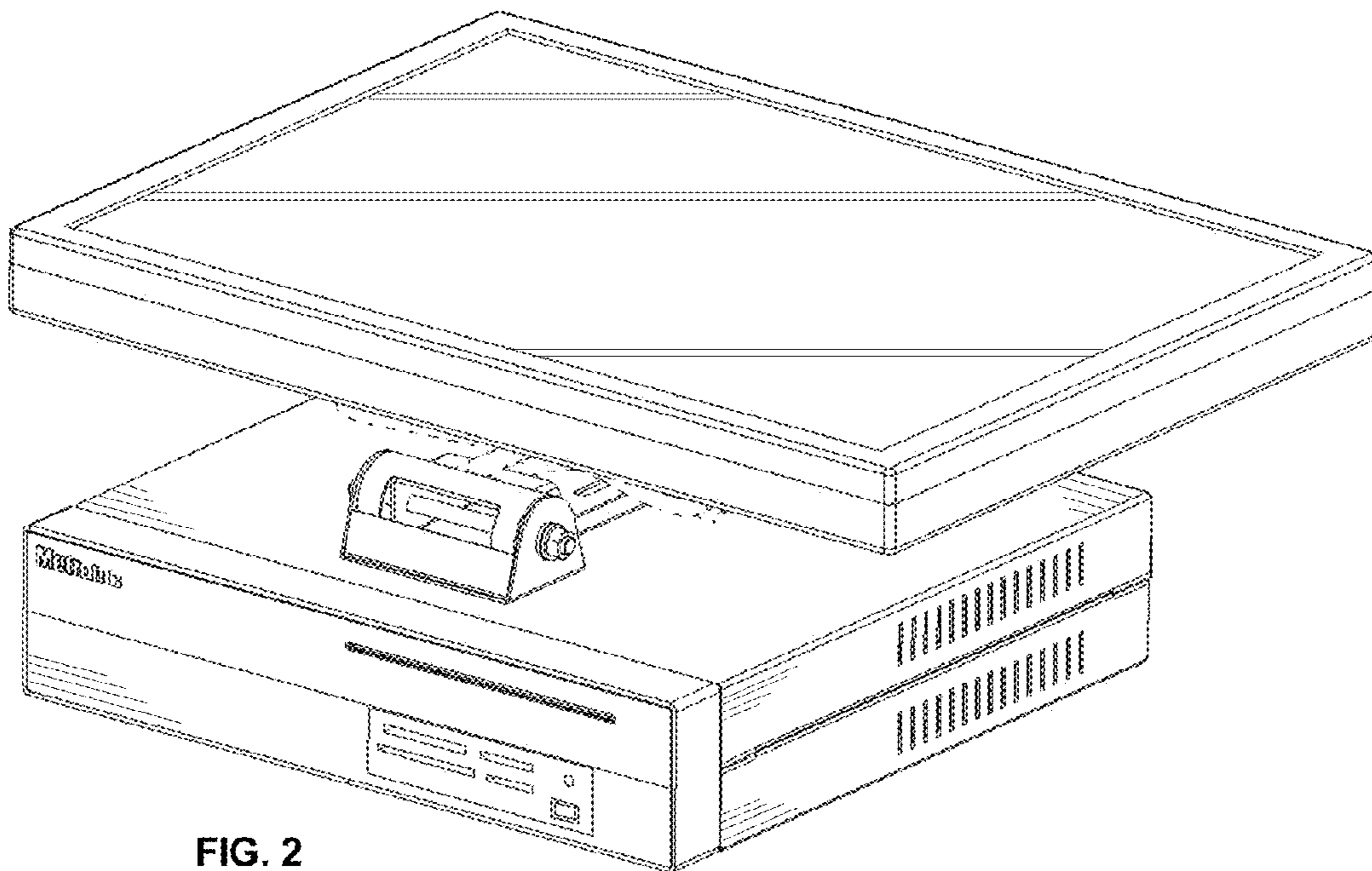


FIG. 2

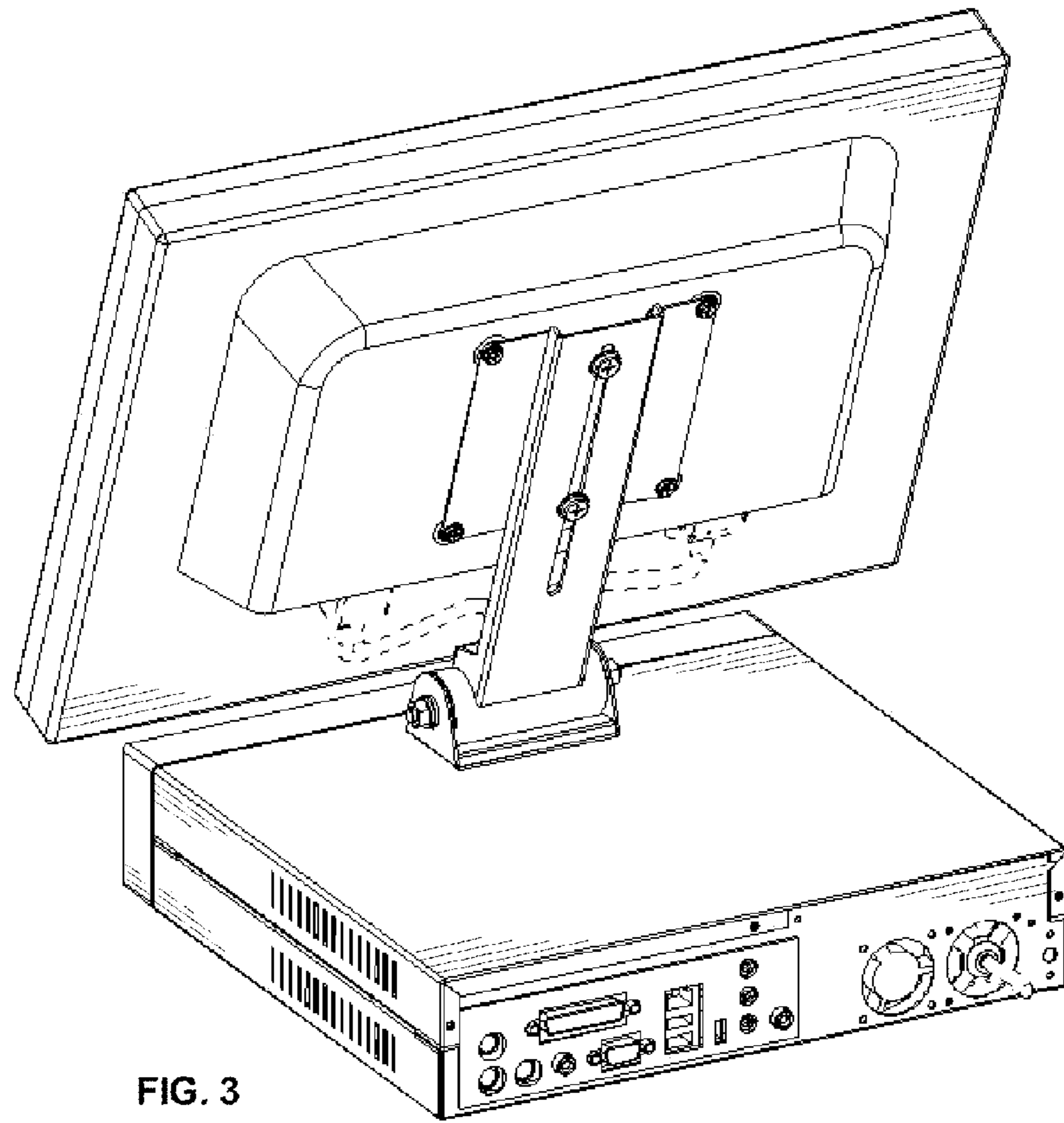


FIG. 3

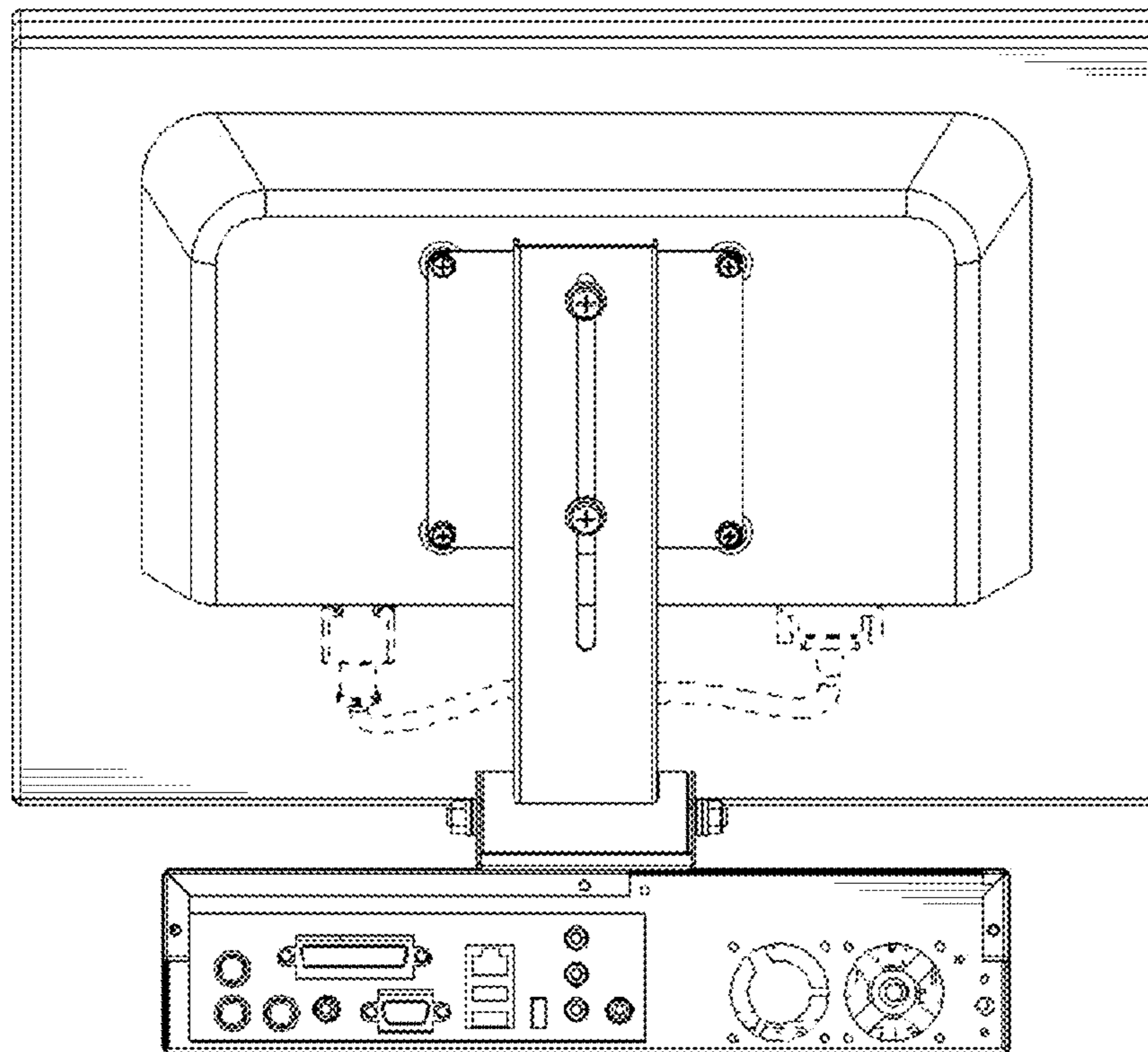


FIG. 4

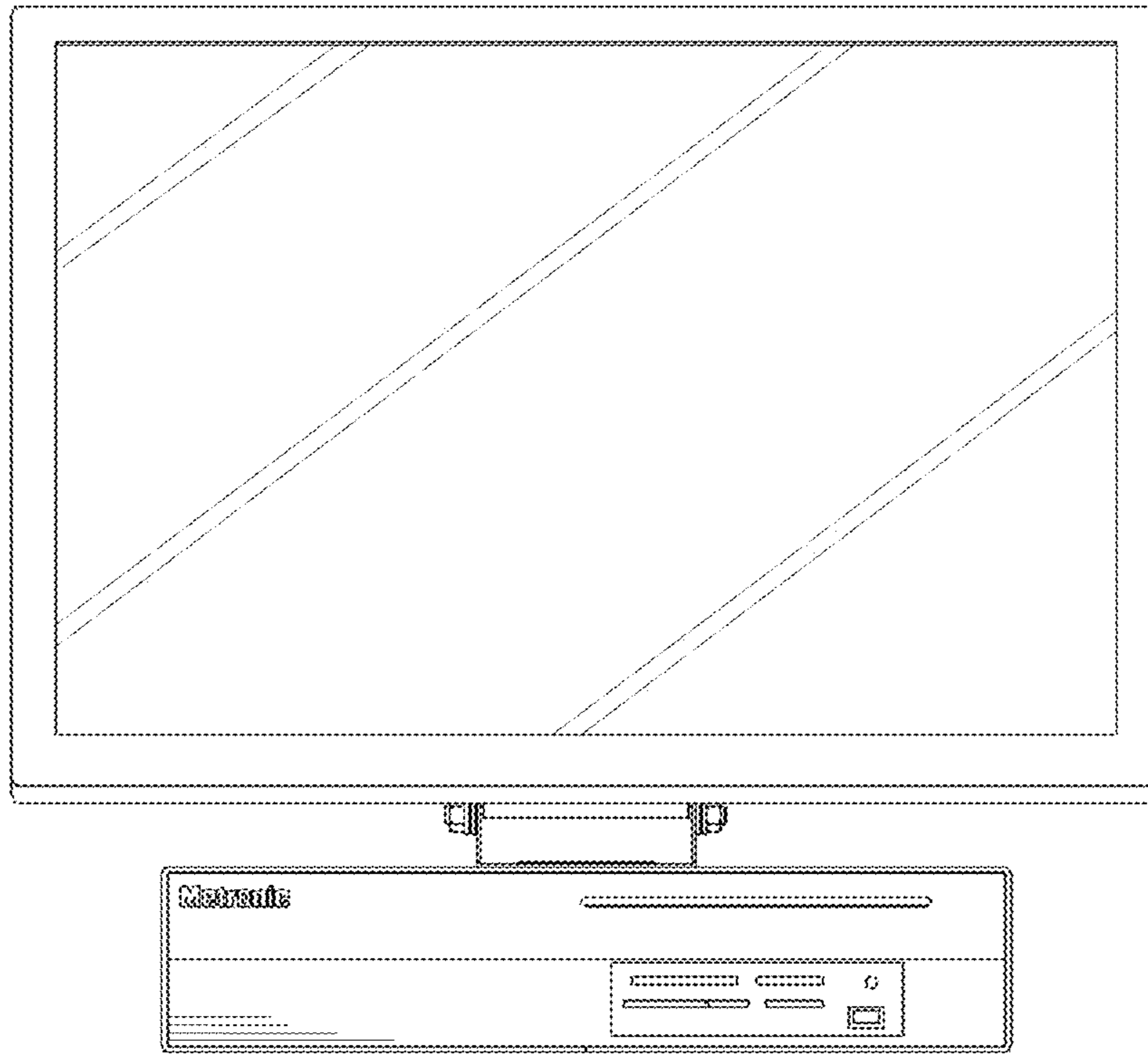


FIG. 5

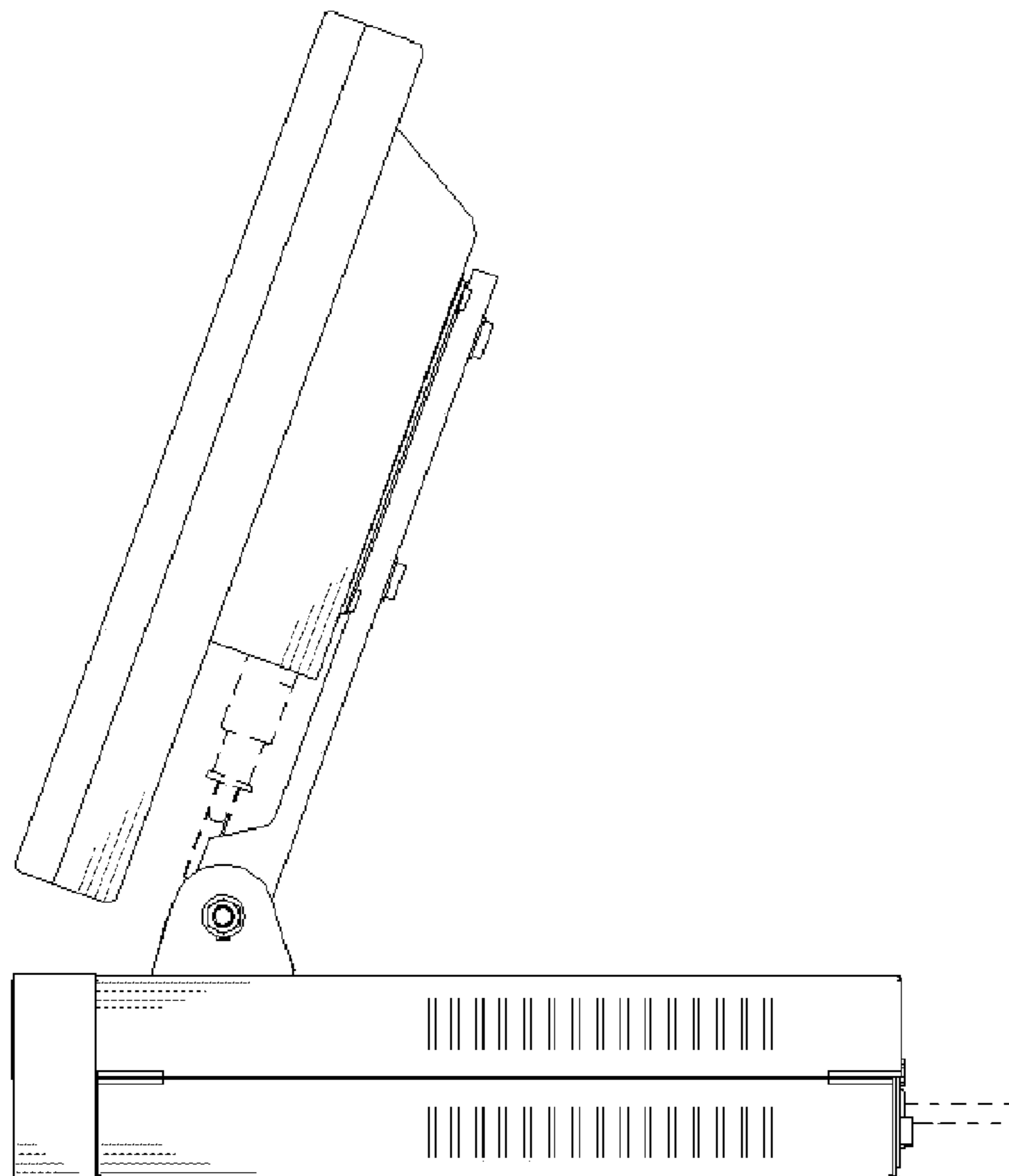


FIG. 6