



US00D619123S

(12) **United States Design Patent**  
**Lau**

(10) **Patent No.:** **US D619,123 S**

(45) **Date of Patent:** **\*\* Jul. 6, 2010**

(54) **FUTURISTIC ROBOT SPEAKER HOLDER**

(76) Inventor: **Ka Wai Lau**, 2350 84<sup>th</sup> St., Brooklyn,  
NY (US) 11214

(\*\*) Term: **14 Years**

(21) Appl. No.: **29/315,872**

(22) Filed: **Aug. 1, 2009**

(51) **LOC (9) Cl.** ..... **14-01**

(52) **U.S. Cl.** ..... **D14/224**

(58) **Field of Classification Search** ..... D6/418,  
D6/511; D14/170, 224, 251, 452, 217, 299,  
D14/204, 214; 248/122.1, 181.1, 278.1,  
248/281.11, 284.1, 610; 379/411, 454-455,  
379/457

See application file for complete search history.

(56) **References Cited**

**U.S. PATENT DOCUMENTS**

4,765,580 A \* 8/1988 Wright ..... 248/181.1  
D311,829 S \* 11/1990 Vossoughi ..... D6/418

D321,351 S \* 11/1991 Kirchner ..... D14/251  
D331,921 S \* 12/1992 Gutke et al. .... D14/452  
D347,841 S \* 6/1994 Rossman et al. .... D14/452  
5,368,270 A \* 11/1994 Wiwczar ..... 248/610  
D363,492 S \* 10/1995 Brusing ..... D14/251  
D488,163 S \* 4/2004 Hunt ..... D14/452

\* cited by examiner

*Primary Examiner*—Nanda Bondade

(74) *Attorney, Agent, or Firm*—Richard L. Strauss, Esq.

(57) **CLAIM**

The ornamental design for a futuristic robot speaker holder, as shown and described.

**DESCRIPTION**

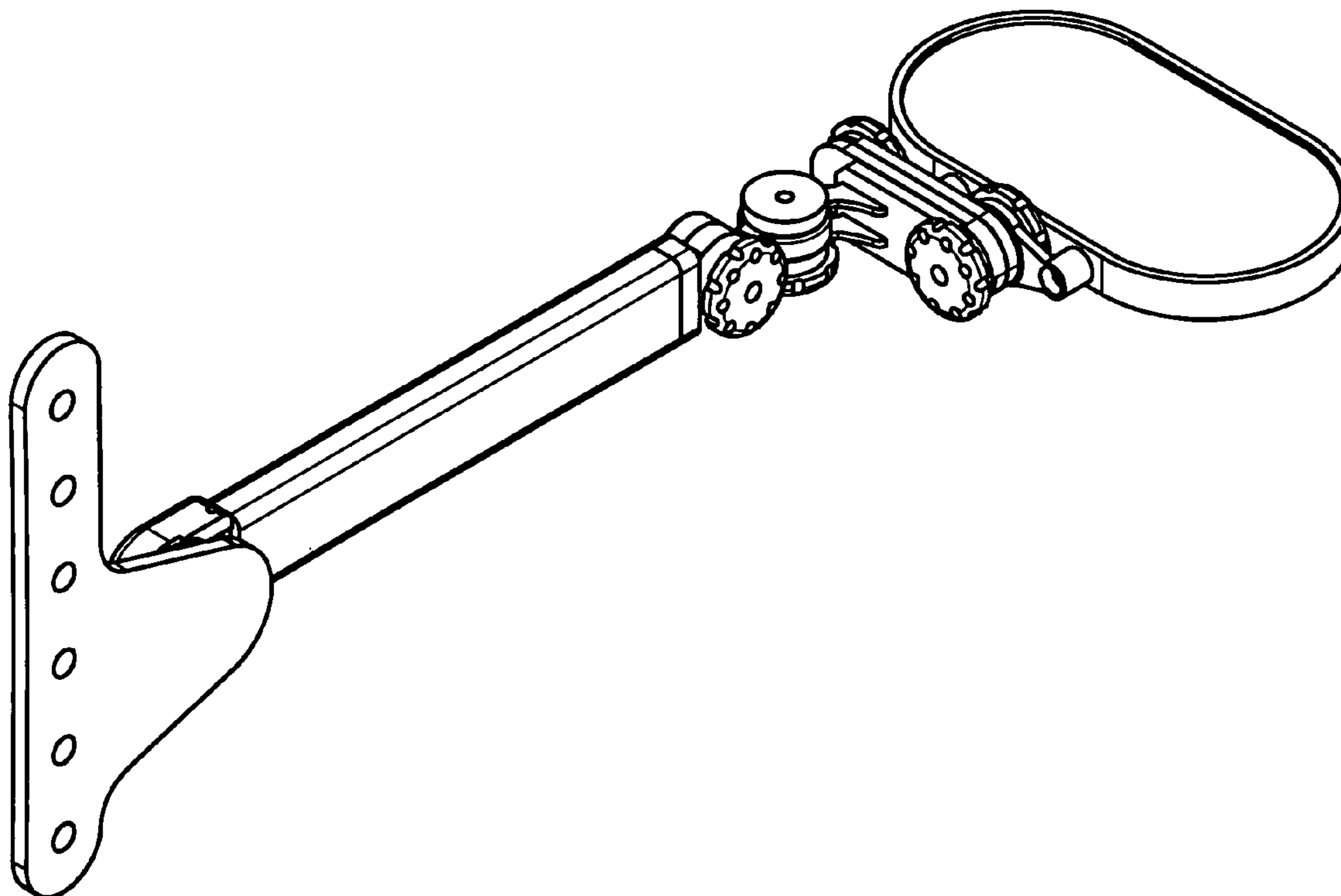
FIG. 1 is a front left isometric view of a futuristic robot speaker holder showing my new design;

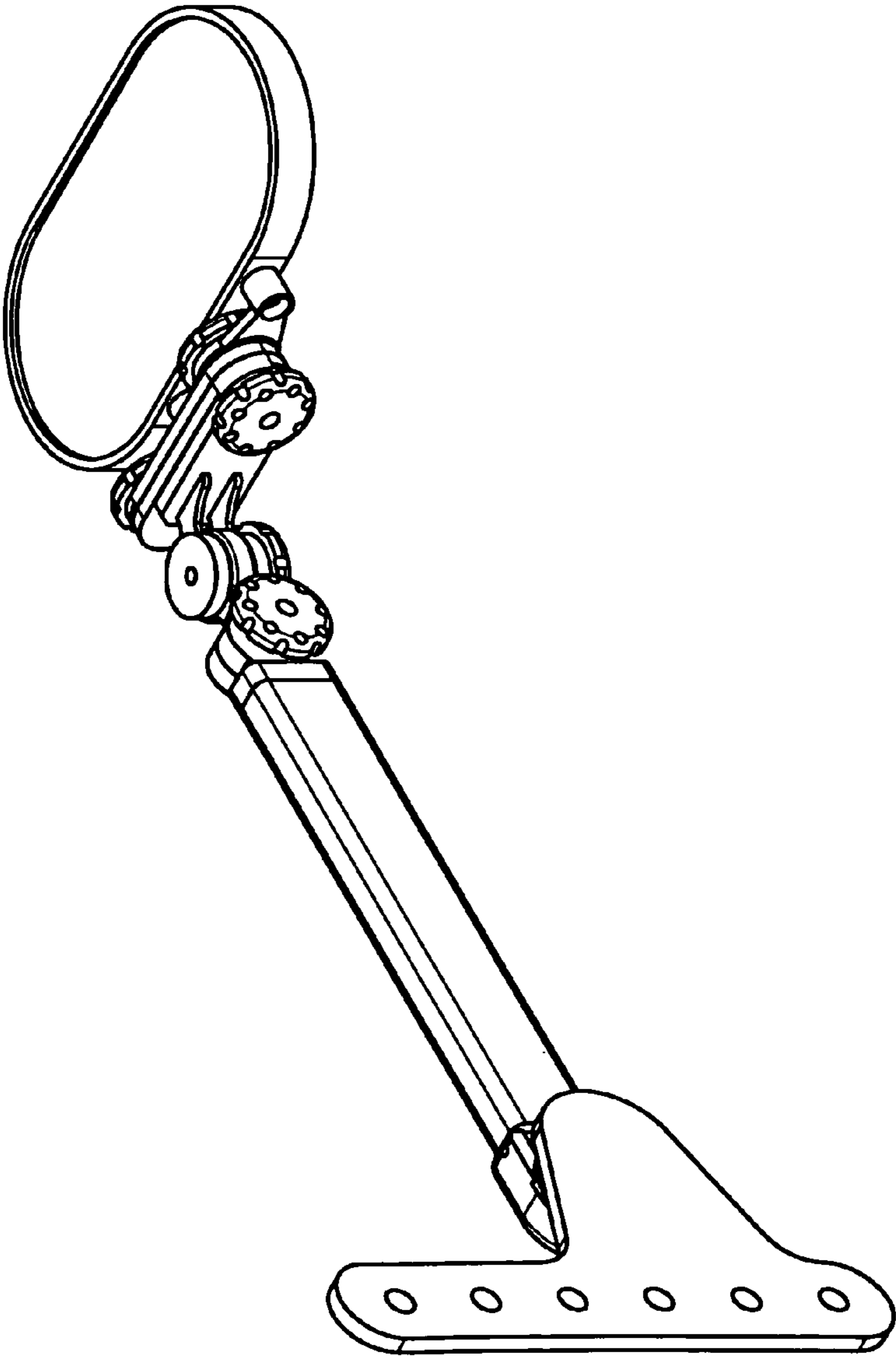
FIG. 2 is a rear right isometric view thereof;

FIG. 3 is a top view thereof; and,

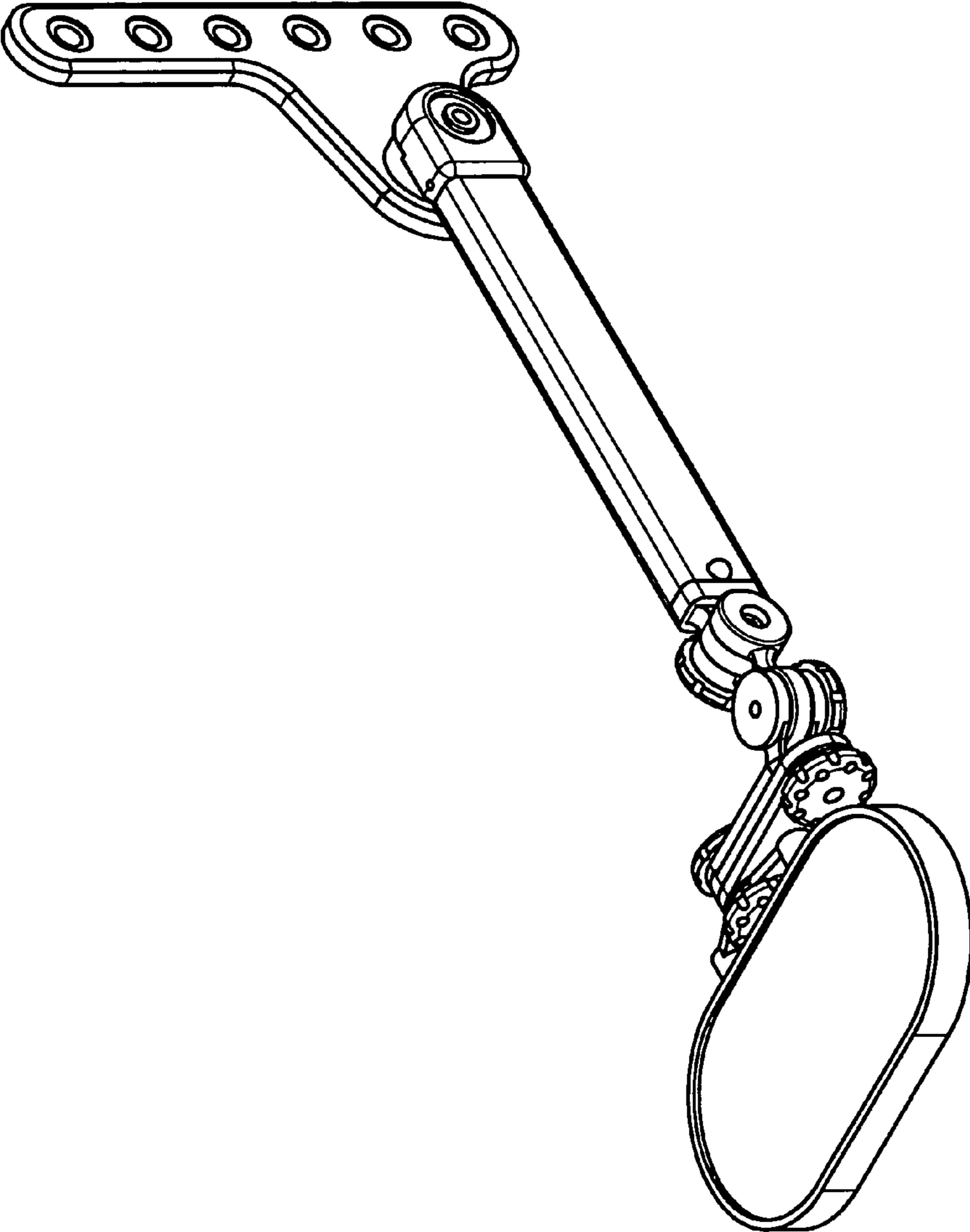
FIG. 4 is a bottom view thereof.

**1 Claim, 4 Drawing Sheets**

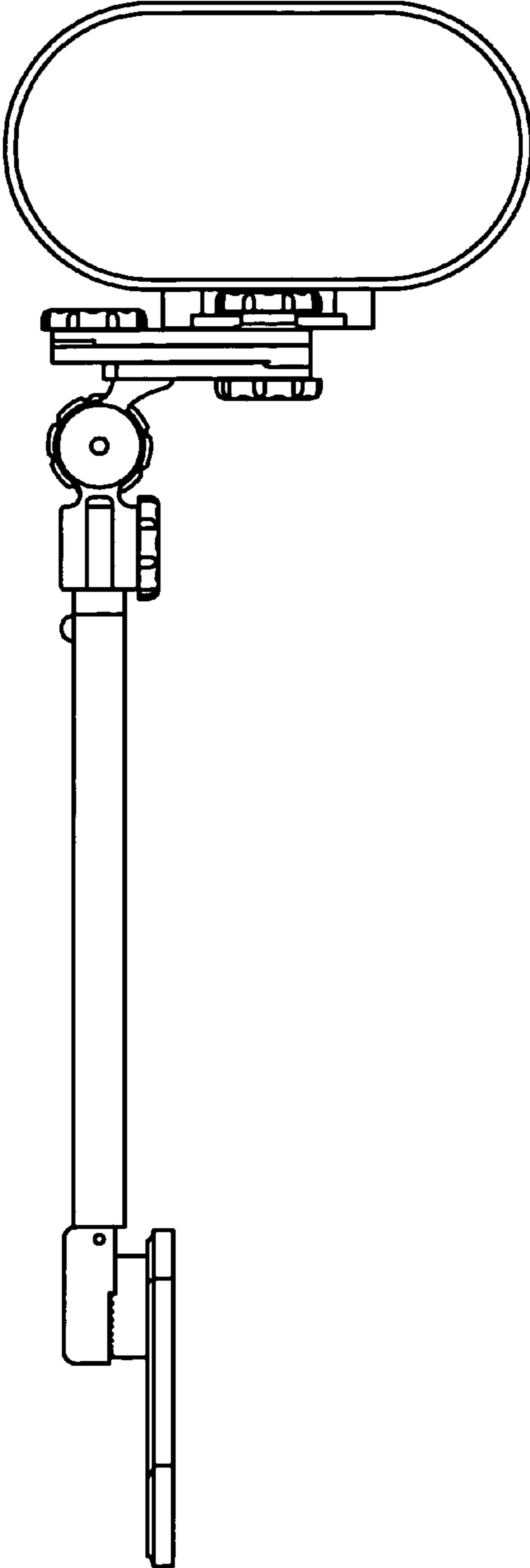




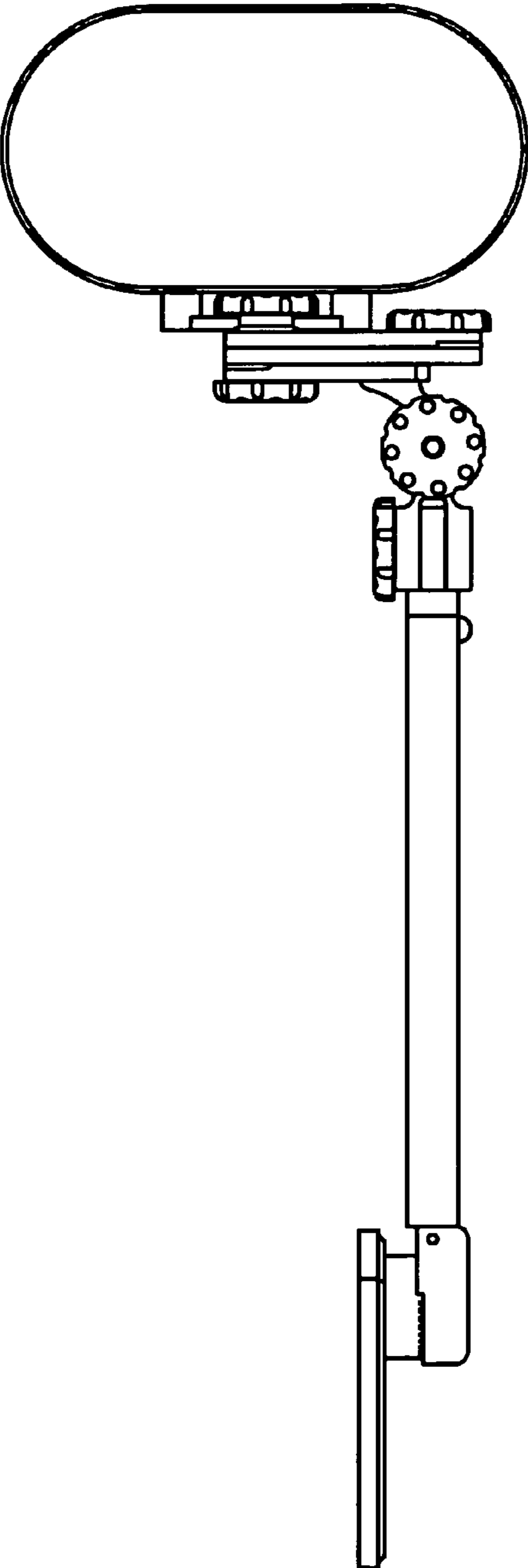
**Fig. 1**



**Fig. 2**



**Fig. 3**



**Fig. 4**