



US00D619122S

(12) **United States Design Patent**
Nomura

(10) **Patent No.:** **US D619,122 S**
(45) **Date of Patent:** **** Jul. 6, 2010**

(54) **EARPHONE**

(75) Inventor: **Yuto Nomura**, Tokyo (JP)

(73) Assignee: **Victor Company of Japan, Limited**,
Yokohama-shi, Kanagawa (JP)

(**) Term: **14 Years**

(21) Appl. No.: **29/347,148**

(22) Filed: **Oct. 2, 2009**

(30) **Foreign Application Priority Data**

Apr. 13, 2009 (JP) D2009-008424

(51) **LOC (9) Cl.** **14-01**

(52) **U.S. Cl.** **D14/223**

(58) **Field of Classification Search** D14/205,
D14/206, 223, 192; D24/174; 181/129,
181/130, 131; 379/433, 430; 381/380, 381,
381/322; 128/864, 866, 867; 2/209; D29/112
See application file for complete search history.

(56) **References Cited**

U.S. PATENT DOCUMENTS

| | | | | |
|----------------|--------|------------------|-------|---------|
| D485,548 S * | 1/2004 | Obata | | D14/223 |
| D487,077 S * | 2/2004 | Obata | | D14/223 |
| 6,738,487 B1 * | 5/2004 | Nageno et al. | | 381/322 |
| D519,107 S * | 4/2006 | Yang | | D14/223 |
| D539,268 S * | 3/2007 | Suzuki | | D14/206 |
| D564,495 S * | 3/2008 | Sasaki | | D14/205 |
| D567,217 S * | 4/2008 | Kamo et al. | | D14/205 |
| D572,703 S * | 7/2008 | Ledbetter et al. | | D14/205 |
| D573,978 S * | 7/2008 | Ledbetter et al. | | D14/205 |

| | | | | |
|--------------|---------|--------------------|-------|---------|
| D578,507 S * | 10/2008 | Ando | | D14/205 |
| D579,005 S * | 10/2008 | Wilhelmsen | | D14/223 |
| D586,332 S * | 2/2009 | Ewert et al. | | D14/223 |
| D587,681 S * | 3/2009 | Yanai | | D14/205 |
| D589,493 S * | 3/2009 | Densho | | D14/206 |
| D591,721 S * | 5/2009 | Densho | | D14/205 |
| D591,722 S * | 5/2009 | Densho | | D14/205 |
| D596,616 S * | 7/2009 | Andre et al. | | D14/205 |
| D598,894 S * | 8/2009 | Masuda et al. | | D14/205 |
| D599,330 S * | 9/2009 | Andre et al. | | D14/223 |
| D602,905 S * | 10/2009 | Morisawa | | D14/205 |
| D605,182 S * | 12/2009 | Fagnot | | D14/223 |
| D606,971 S * | 12/2009 | Christopher et al. | | D14/205 |

* cited by examiner

Primary Examiner—Paula Greene

(74) *Attorney, Agent, or Firm*—The Nath Law Group; Jerald L. Meyer; Derek Richmond

(57) **CLAIM**

The ornamental design for an earphone, as shown and described.

DESCRIPTION

FIG. 1 is a perspective view of an earphone;

FIG. 2 is a front view thereof;

FIG. 3 is a rear view thereof;

FIG. 4 is a top plan view thereof;

FIG. 5 is a bottom plan view thereof;

FIG. 6 is a right side view thereof; and,

FIG. 7 is a left side view thereof.

1 Claim, 5 Drawing Sheets

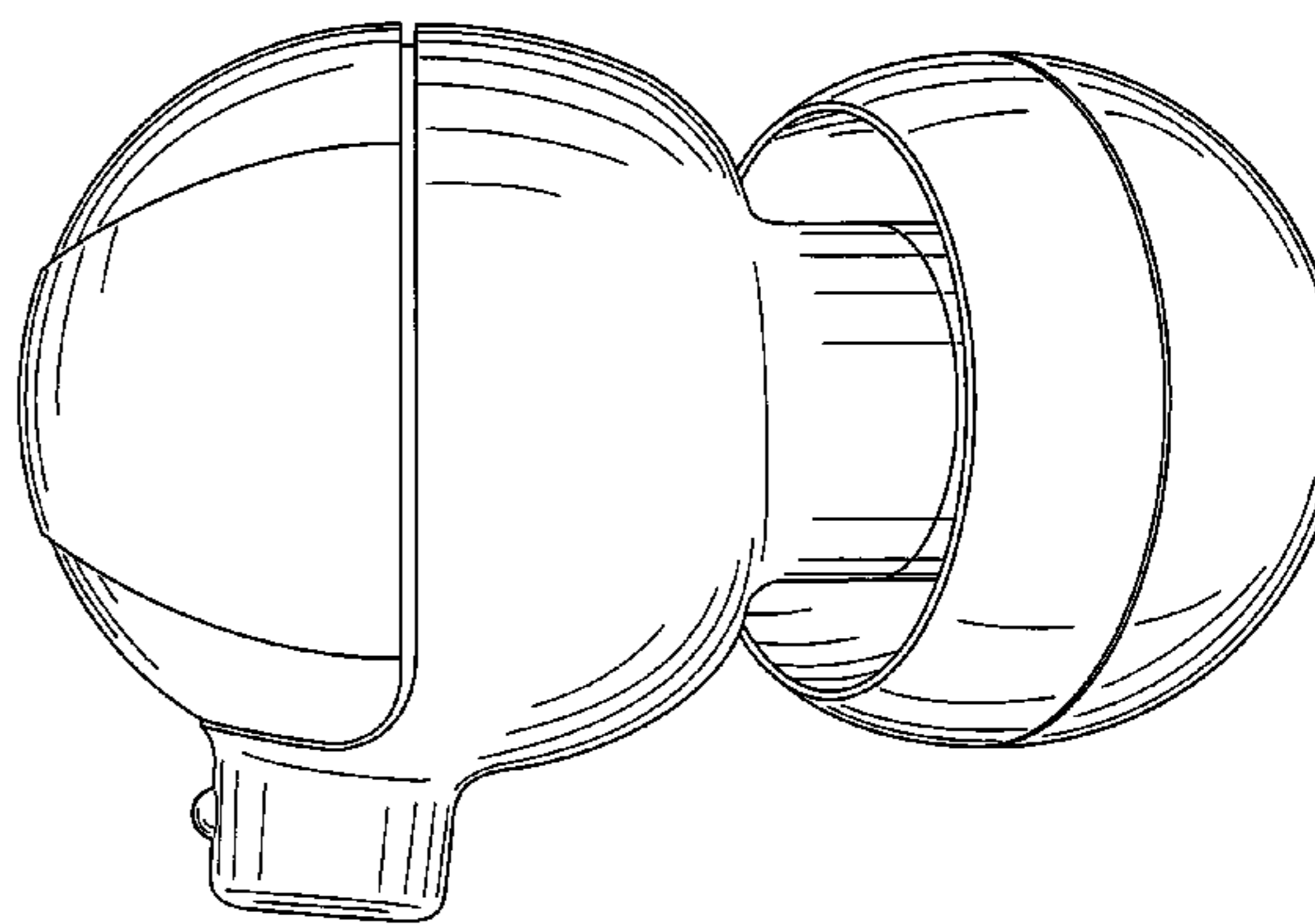
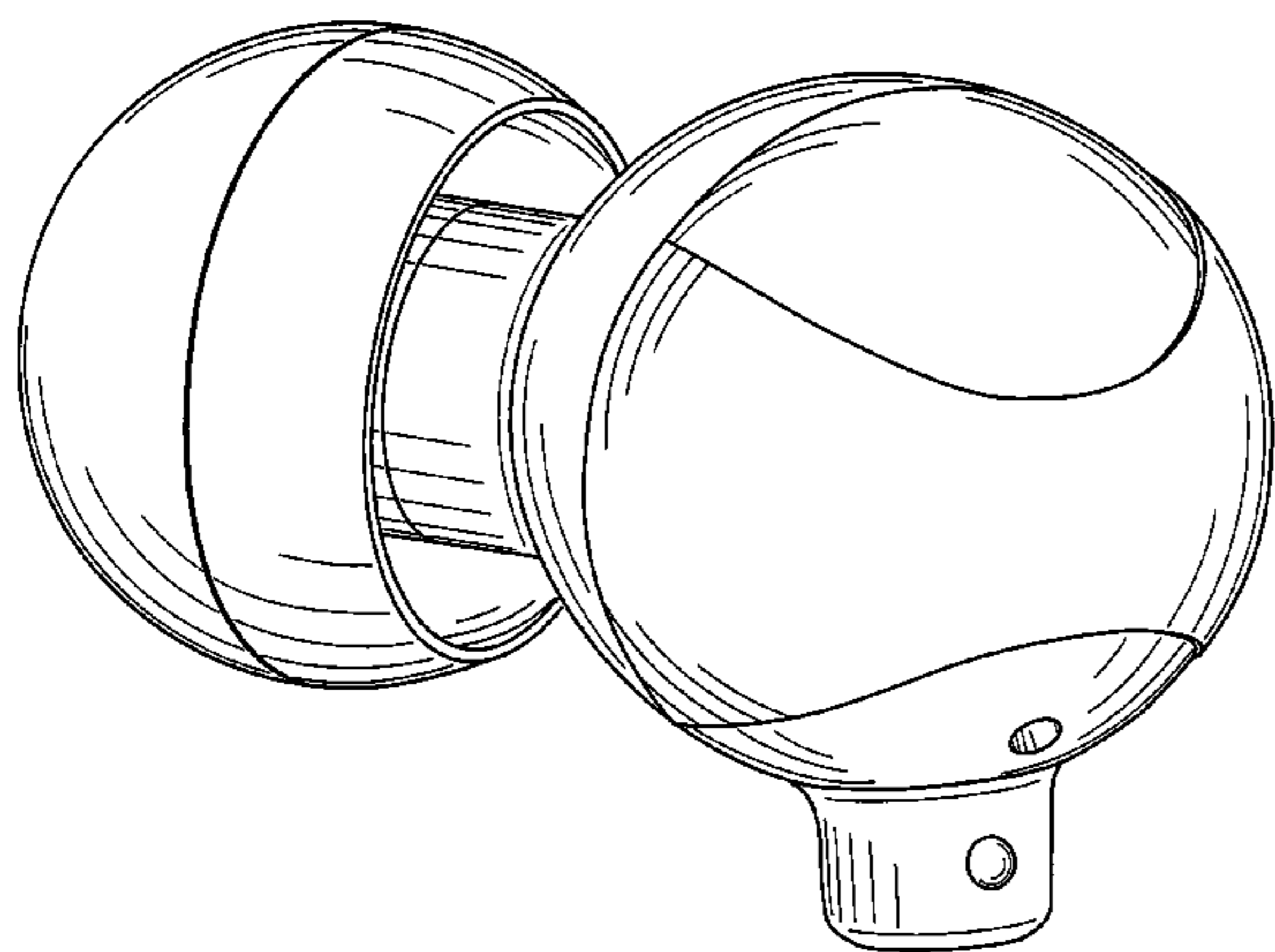


Fig. 1

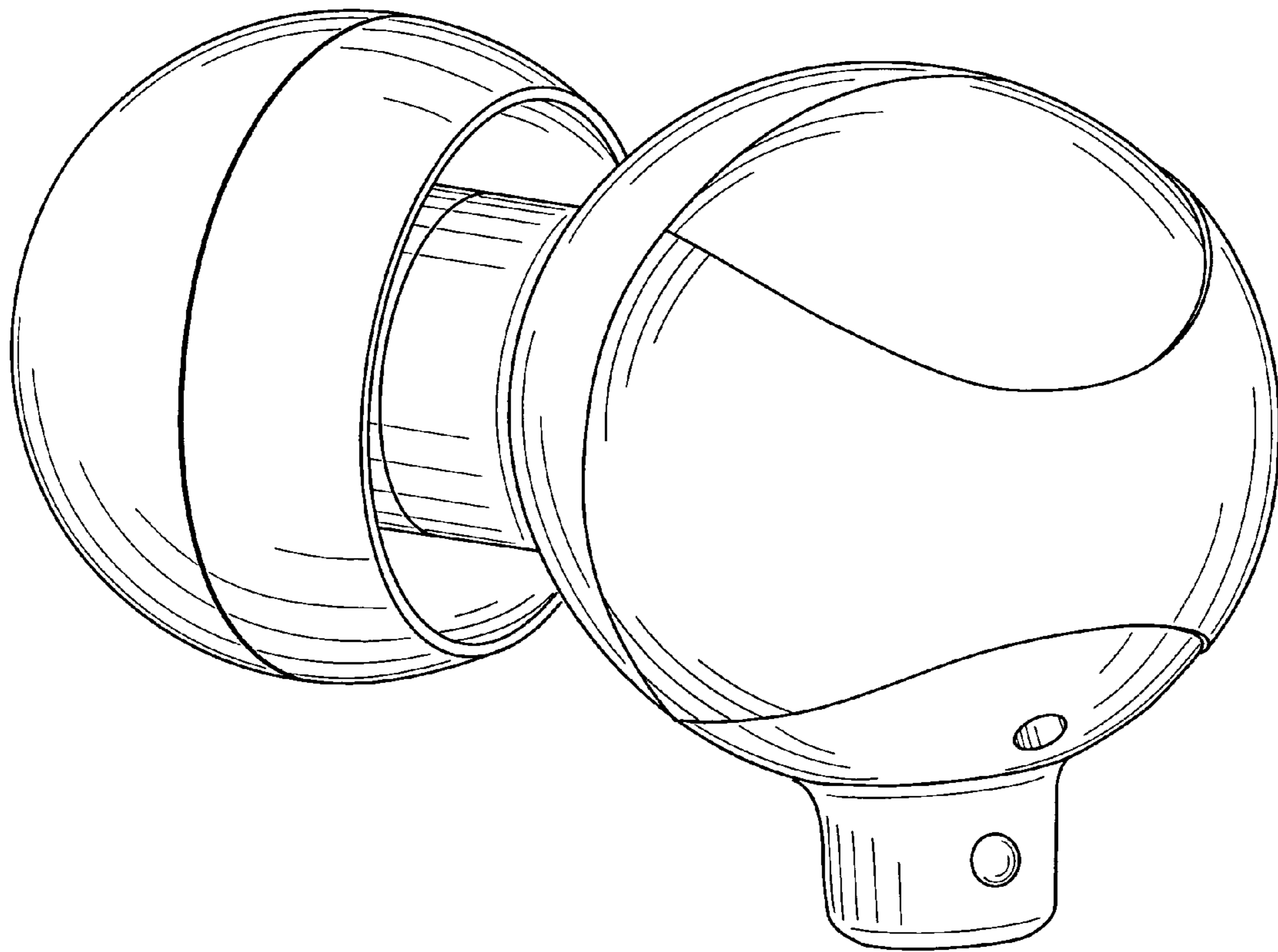


Fig.2

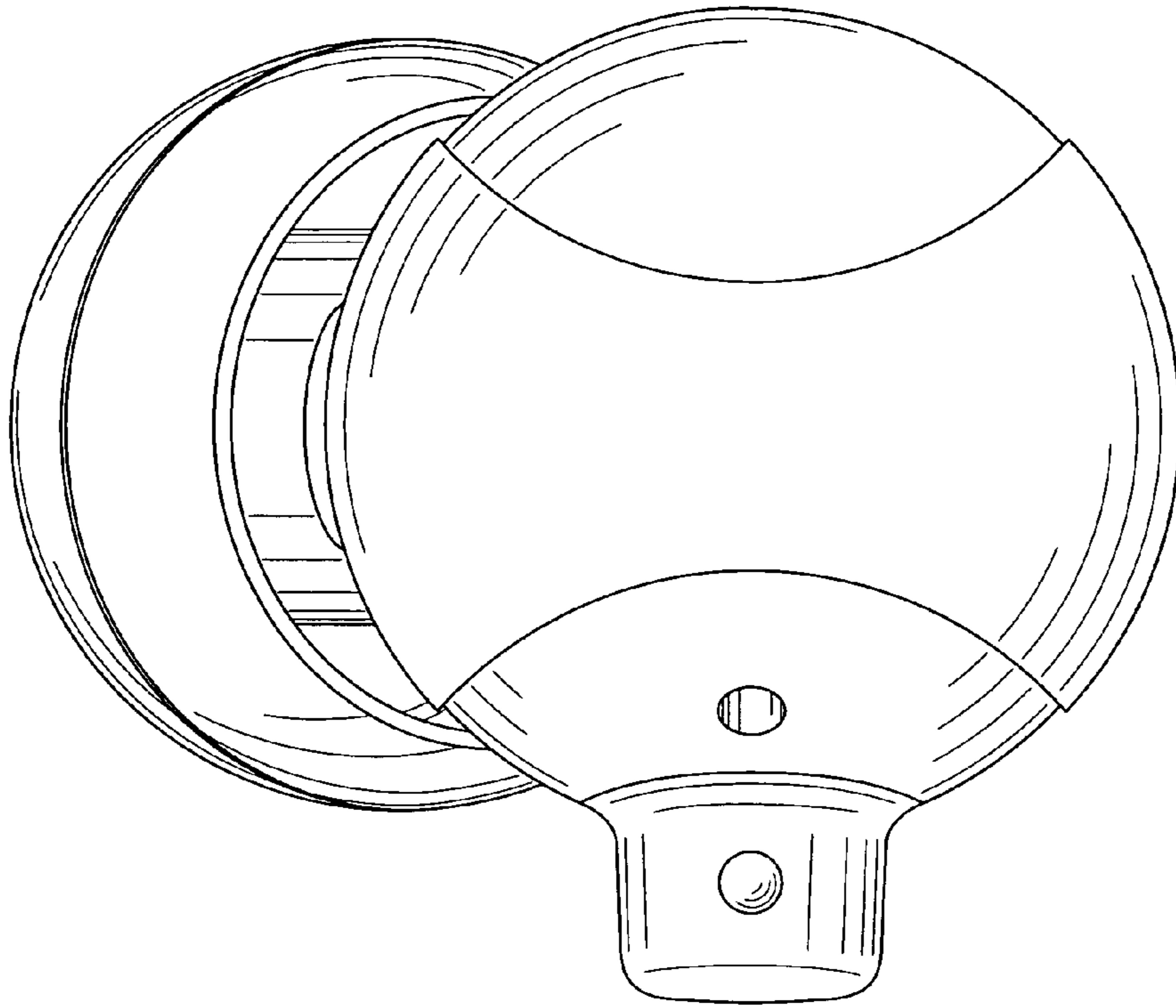


Fig.3

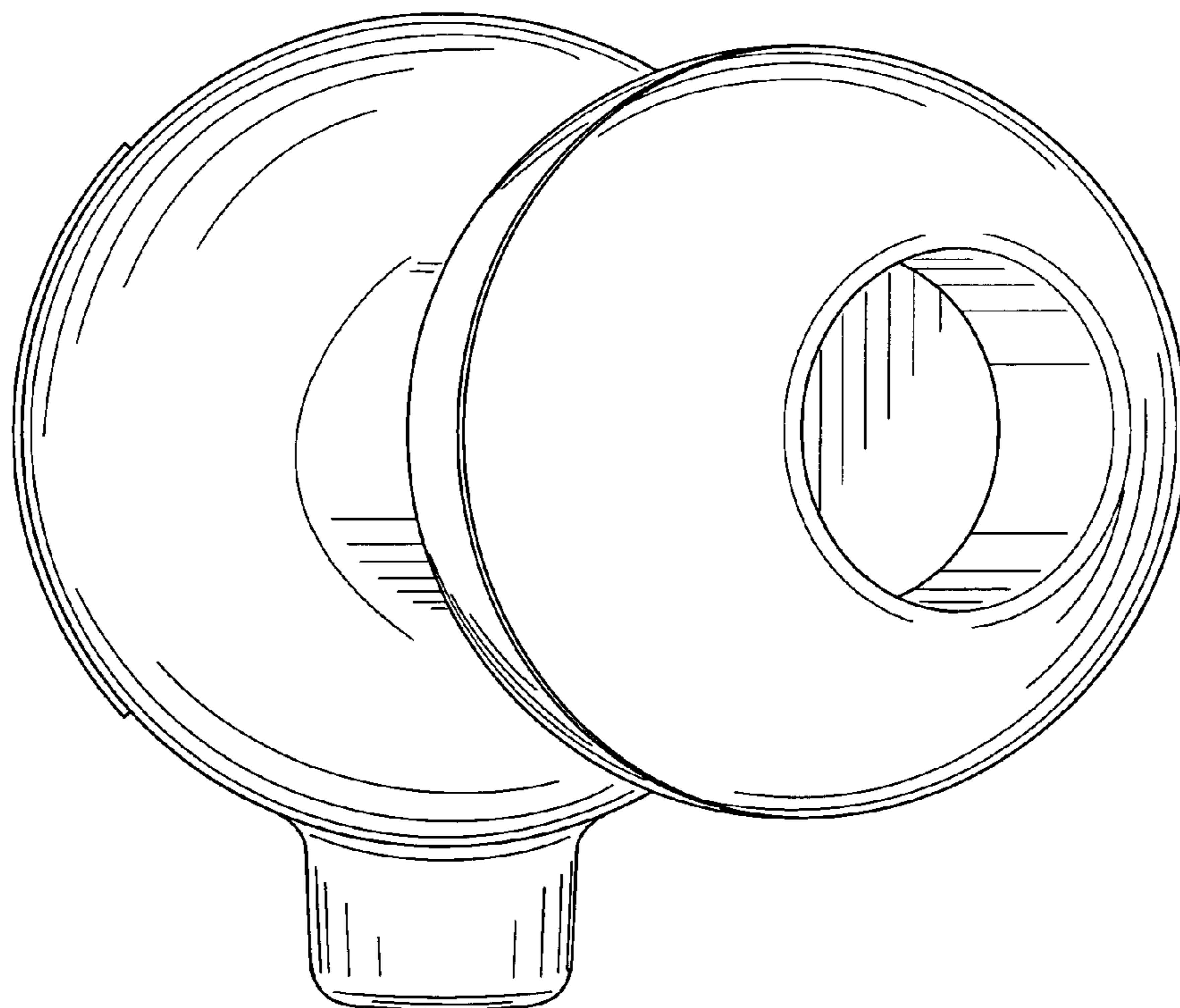


Fig.4

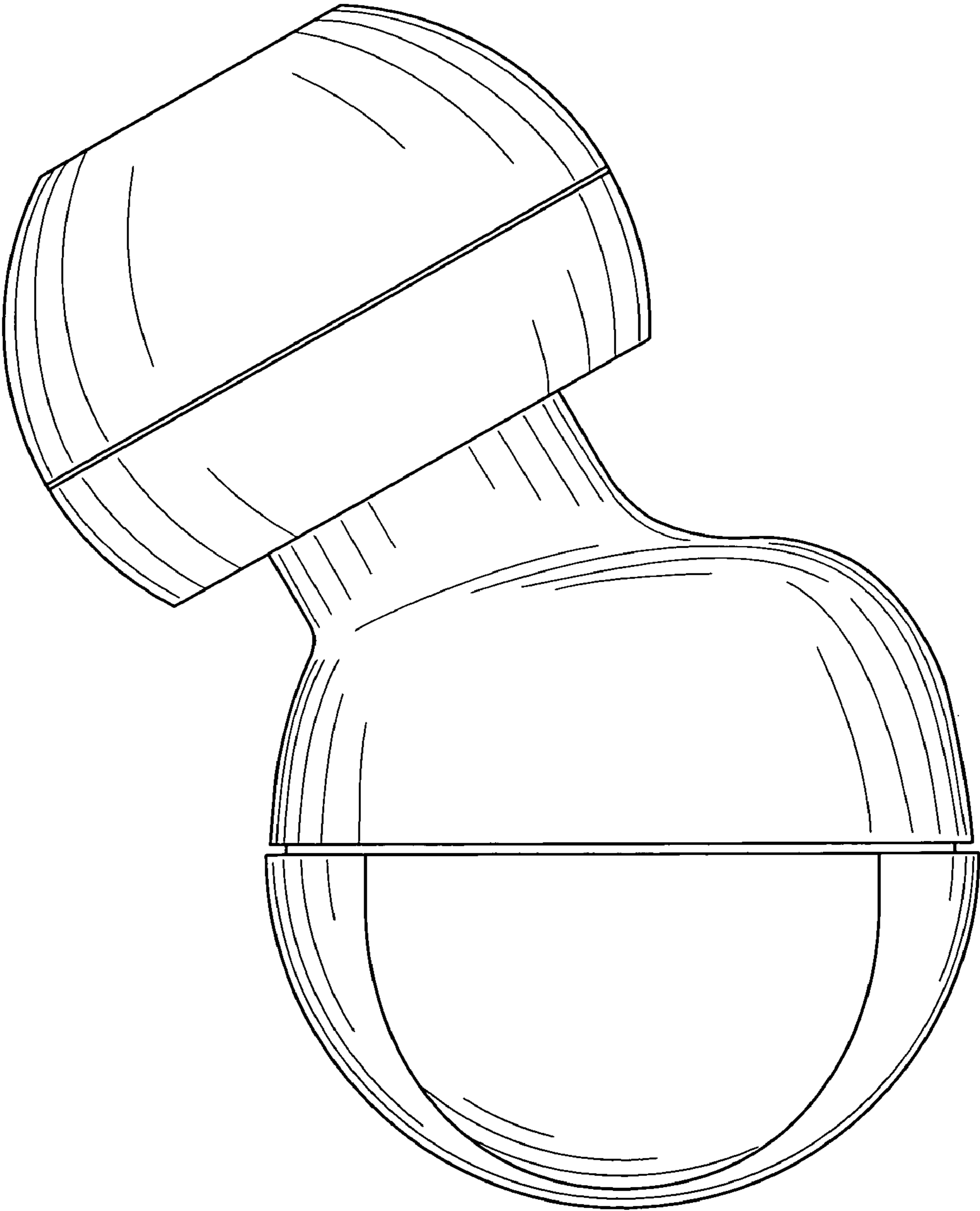


Fig.5

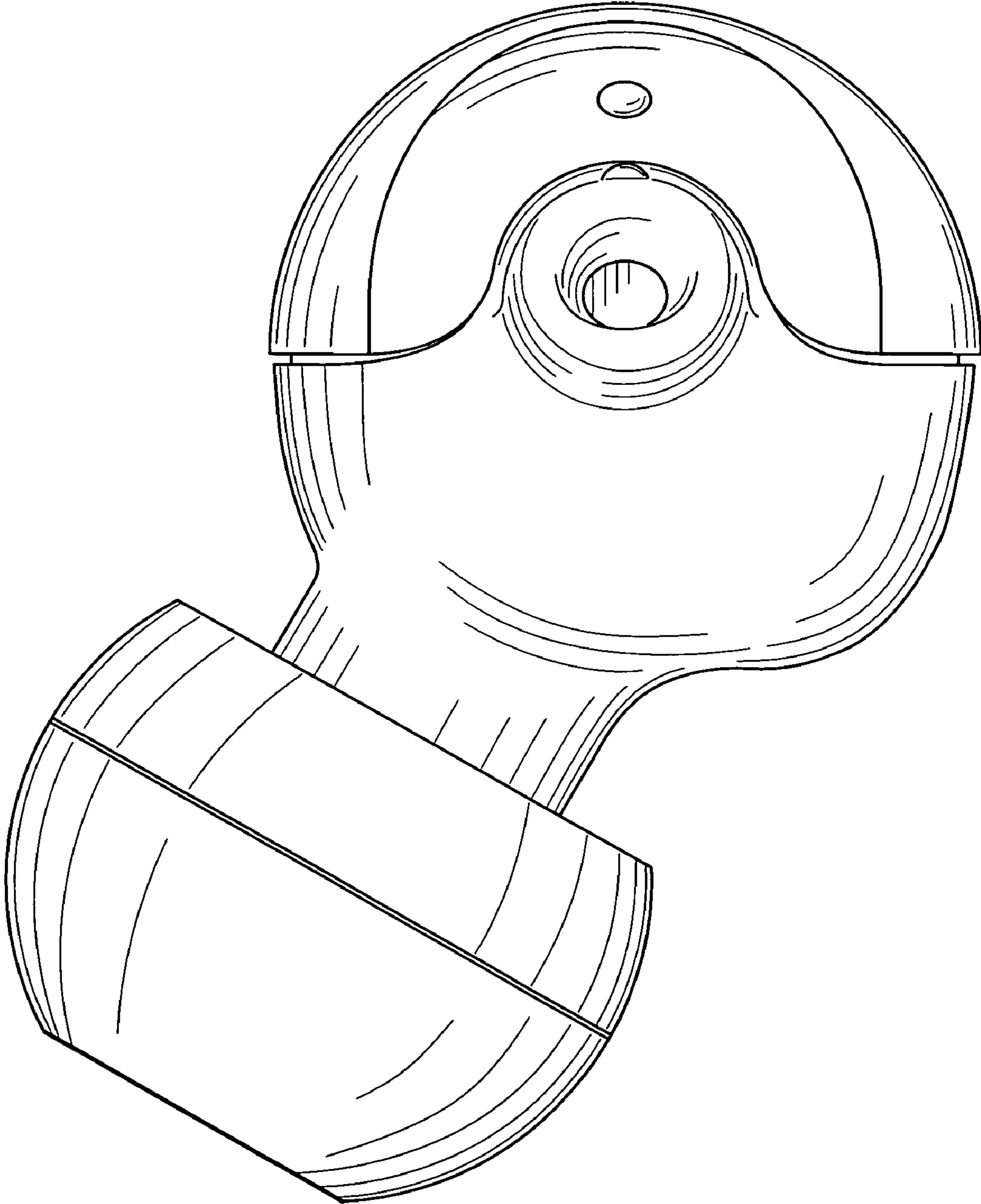


Fig.6

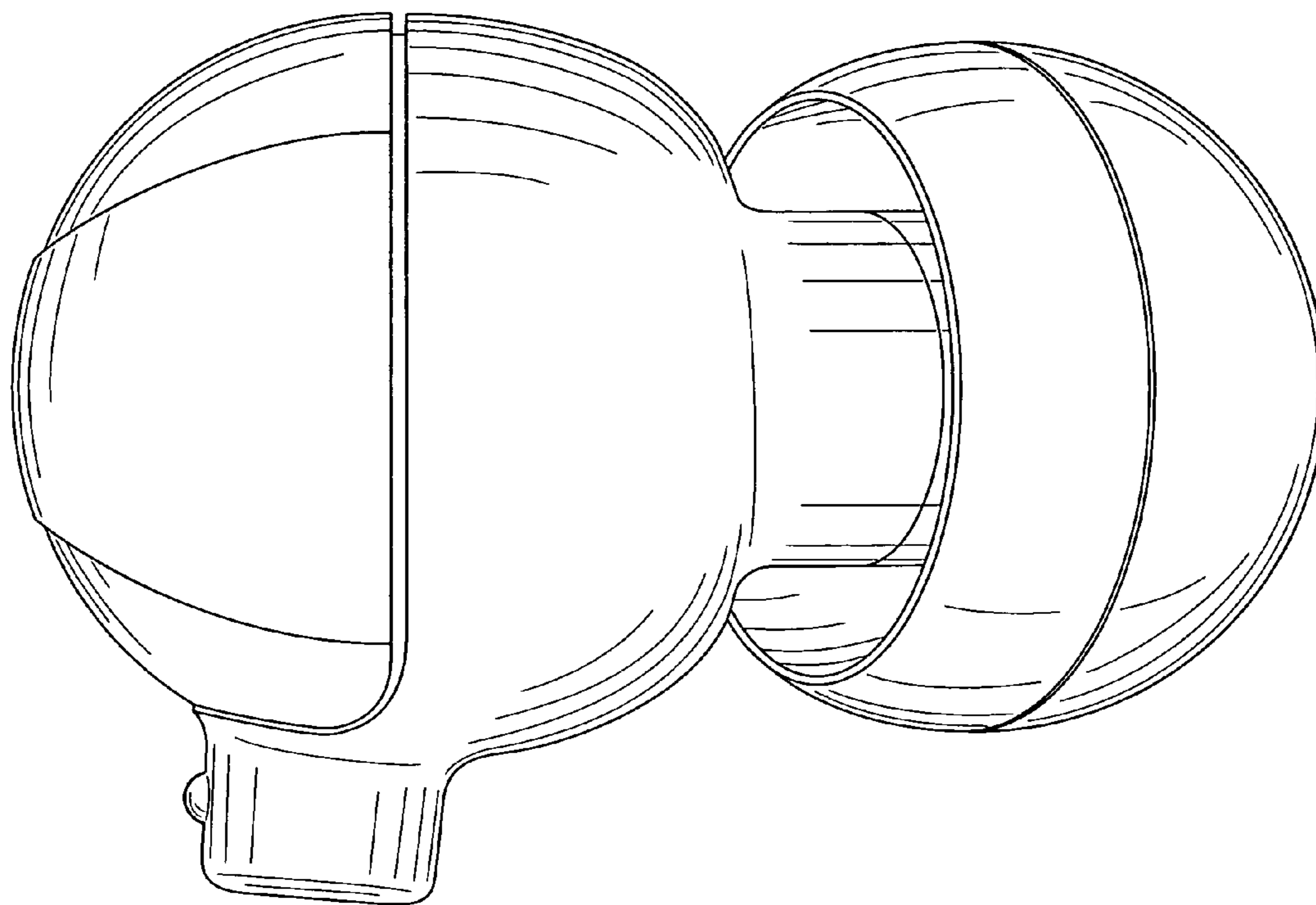


Fig.7

