



US00D619118S

(12) **United States Design Patent**  
**Joseph**

(10) **Patent No.:** **US D619,118 S**  
(45) **Date of Patent:** **\*\* Jul. 6, 2010**

(54) **PORTABLE SPEAKER SYSTEM WITH CLOCK**

(75) Inventor: **Brian Joseph**, Brooklyn, NY (US)

(73) Assignee: **SDI Technologies Inc.**, Rahway, NJ (US)

(\*\*) Term: **14 Years**

(21) Appl. No.: **29/338,854**

(22) Filed: **Jun. 19, 2009**

(51) **LOC (9) Cl.** ..... **14-01**

(52) **U.S. Cl.** ..... **D14/209.1; D14/204; D14/172**

(58) **Field of Classification Search** ..... **D14/204, D14/207, 209.1, 210–217, 168, 170–172, D14/496, 203.8, 224.1, 253, 149; 181/143–144, 181/147–148, 150–153, 157, 198–199; 381/300–303, 381/306, 332–333, 336, 345, 361–364, 386–388; D10/2, 15; D3/218**

See application file for complete search history.

(56) **References Cited**

**U.S. PATENT DOCUMENTS**

D350,345 S *	9/1994	Lindeman et al.	.....	D14/125
D458,850 S *	6/2002	Fong	.....	D10/15
D545,810 S *	7/2007	Hussaini et al.	.....	D14/168
D552,080 S *	10/2007	Langberg et al.	.....	D14/217
D553,609 S *	10/2007	Chow	.....	D14/171
D560,208 S *	1/2008	Skurdal	.....	D14/214
D563,431 S *	3/2008	Entner	.....	D14/496
D572,235 S *	7/2008	Imawaki	.....	D14/207

\* cited by examiner

*Primary Examiner*—Nanda Bondade

(74) *Attorney, Agent, or Firm*—Ostrolenk Faber LLP

(57) **CLAIM**

The ornamental design for a portable speaker system with clock, as shown and described.

**DESCRIPTION**

FIG. 1 is a top, front, right side, perspective view of a portable speaker system with clock in a closed condition showing my new design;

FIG. 2 is a bottom, front, left side, perspective view thereof;

FIG. 3 is a front view thereof;

FIG. 4 is a rear view thereof;

FIG. 5 is a top view thereof;

FIG. 6 is a bottom view thereof;

FIG. 7 is a left side view thereof;

FIG. 8 is a right side view thereof;

FIG. 9 is a top, front, right side perspective view thereof in an open condition;

FIG. 10 is a front view thereof;

FIG. 11 is a rear view thereof;

FIG. 12 is a top view thereof;

FIG. 13 is a bottom view thereof;

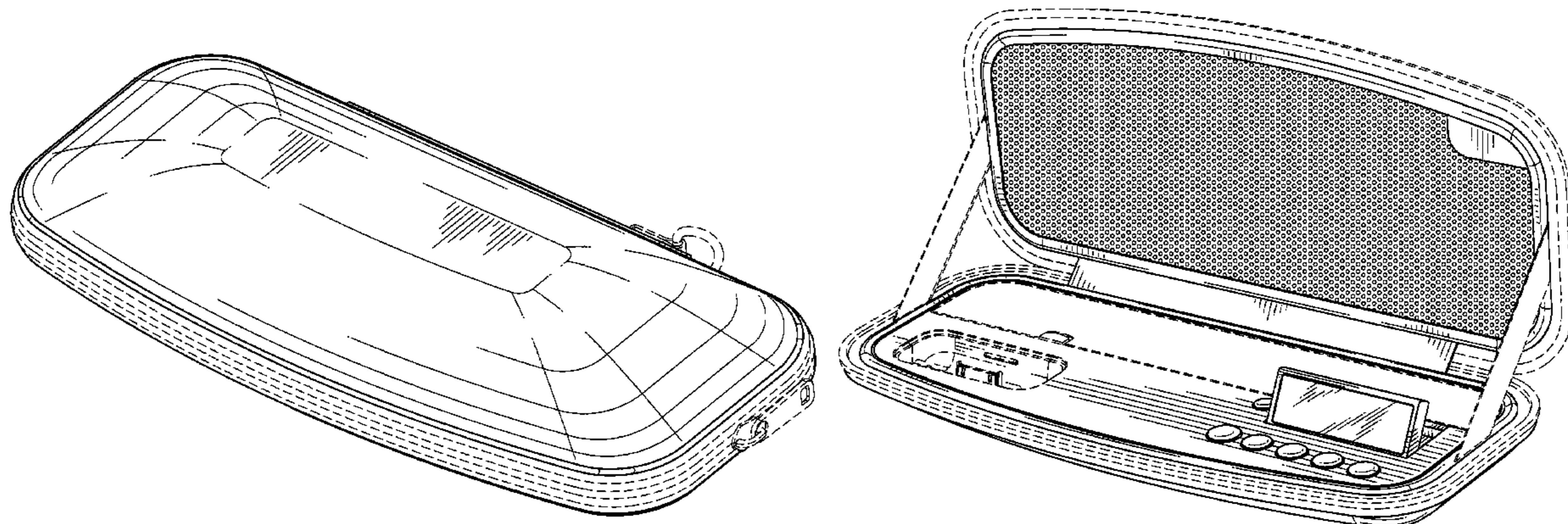
FIG. 14 is a left side view thereof;

FIG. 15 is a right side view thereof; and,

FIG. 16 is a cross sectional view thereof along line 16—16 in FIG. 3.

The broken lines in the drawings illustrate environmental material that forms no part of the claimed design.

**1 Claim, 16 Drawing Sheets**



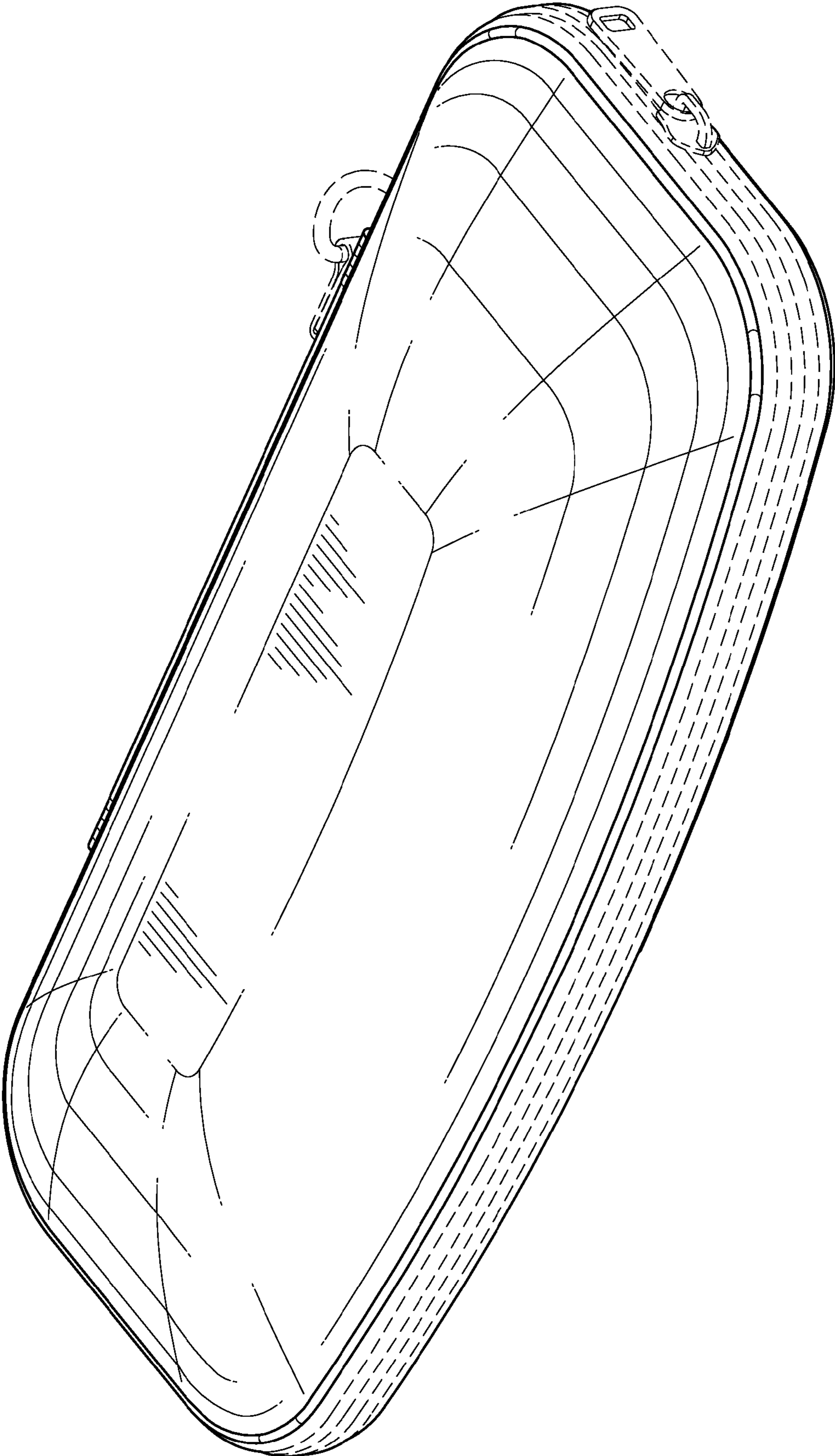


FIG.1

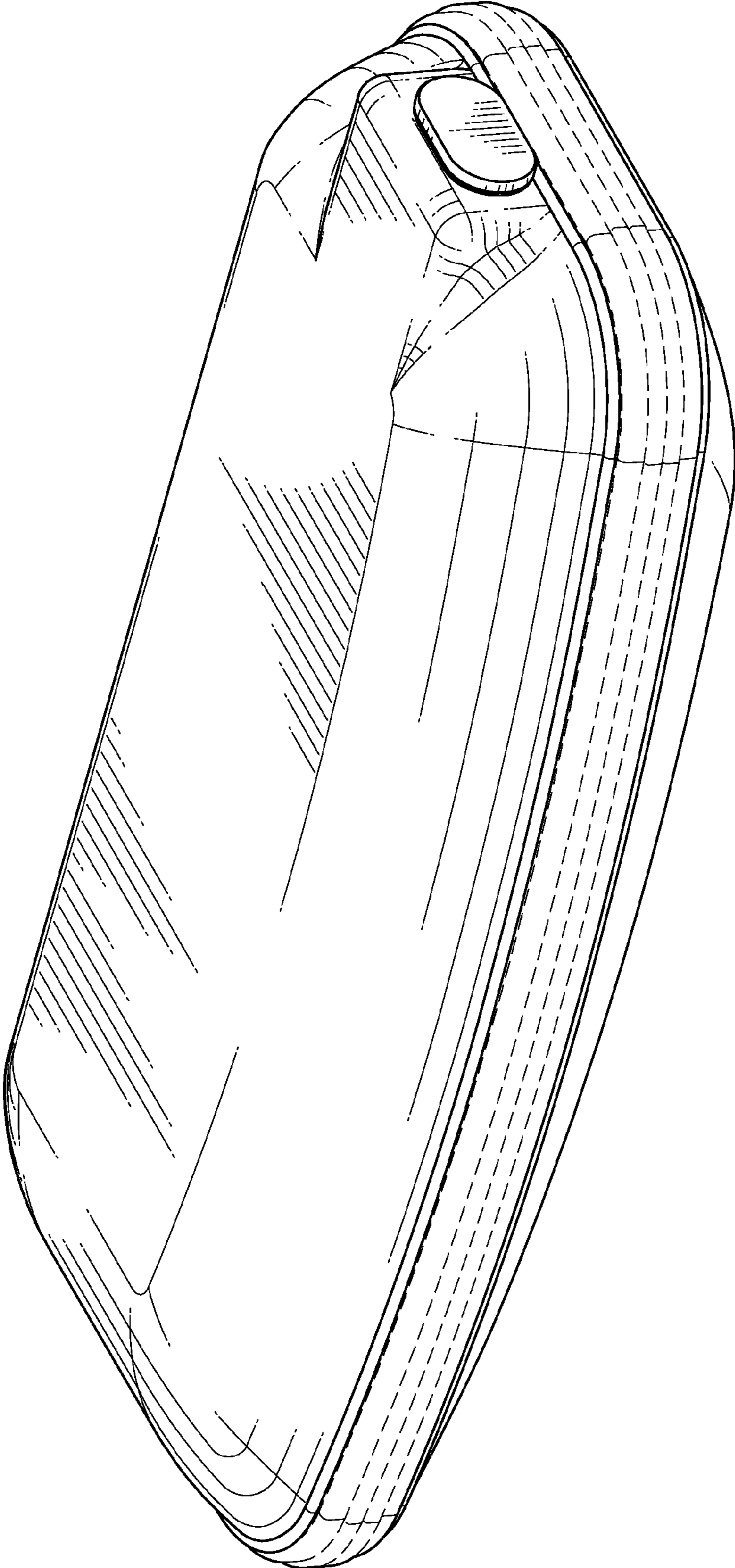


FIG. 2

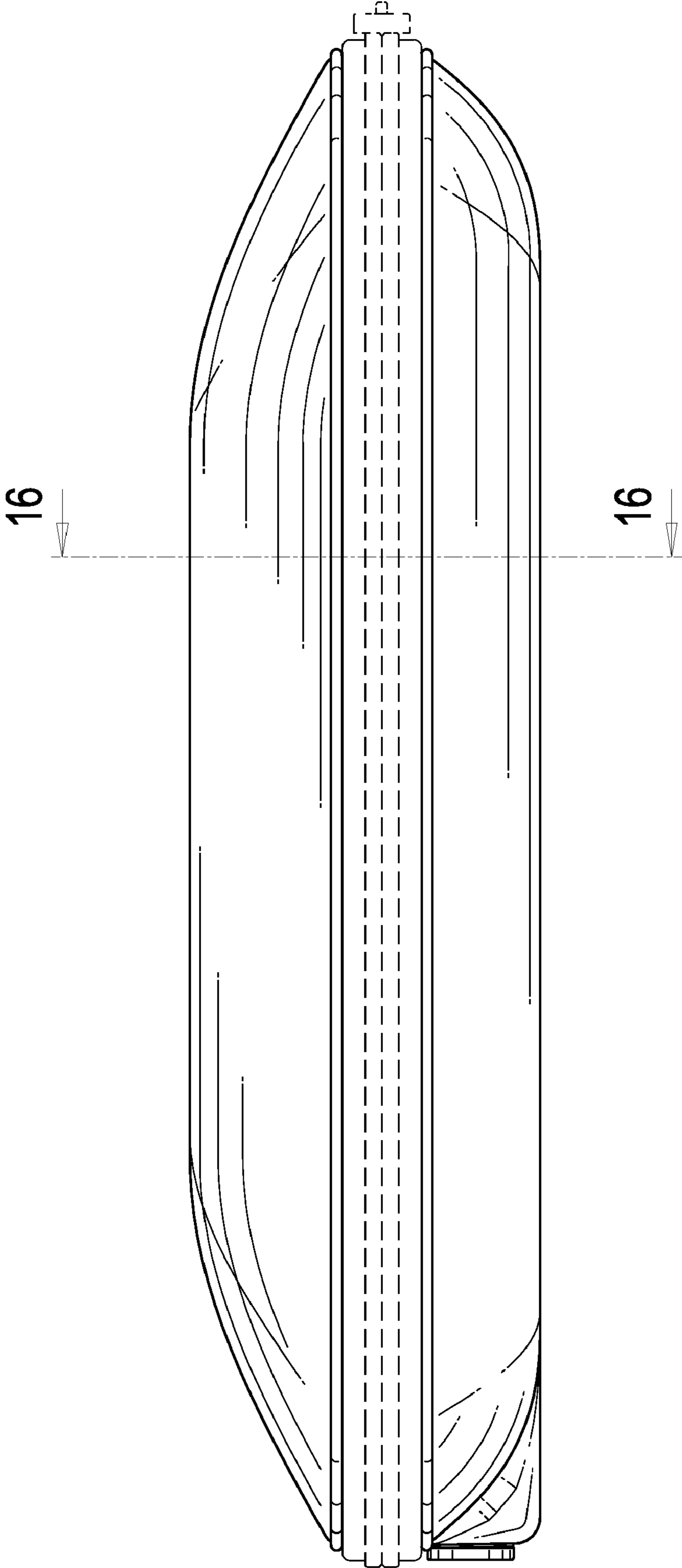


FIG. 3

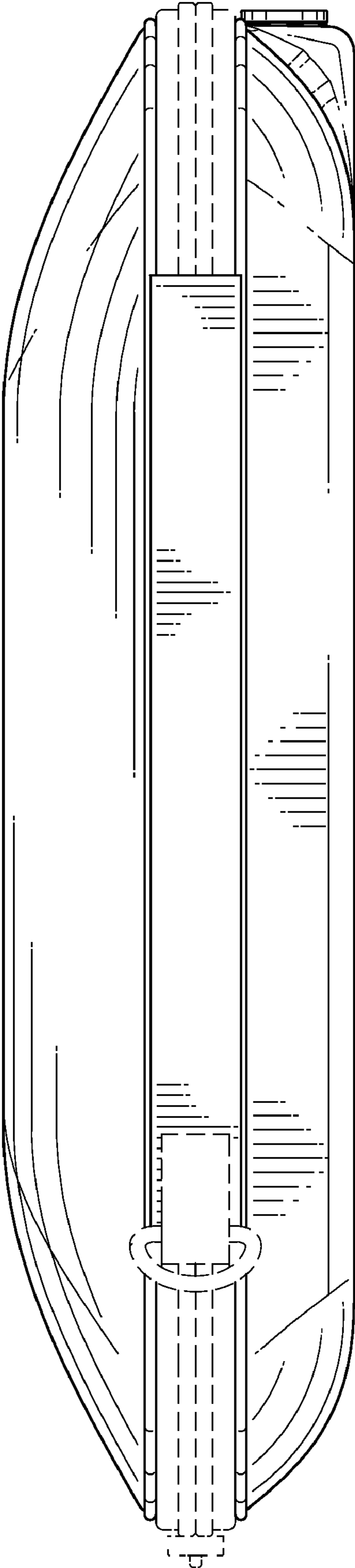


FIG. 4

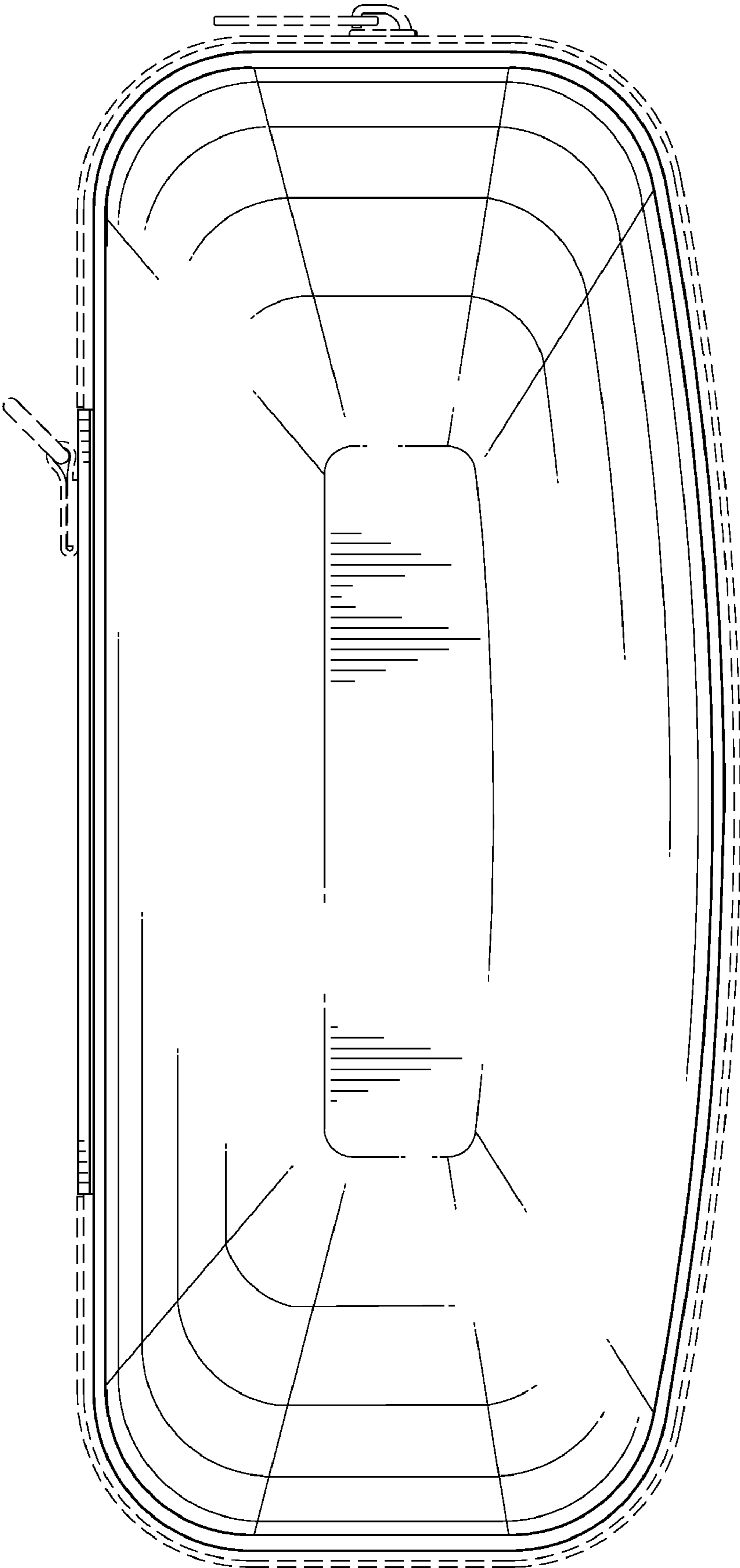


FIG. 5



FIG. 6

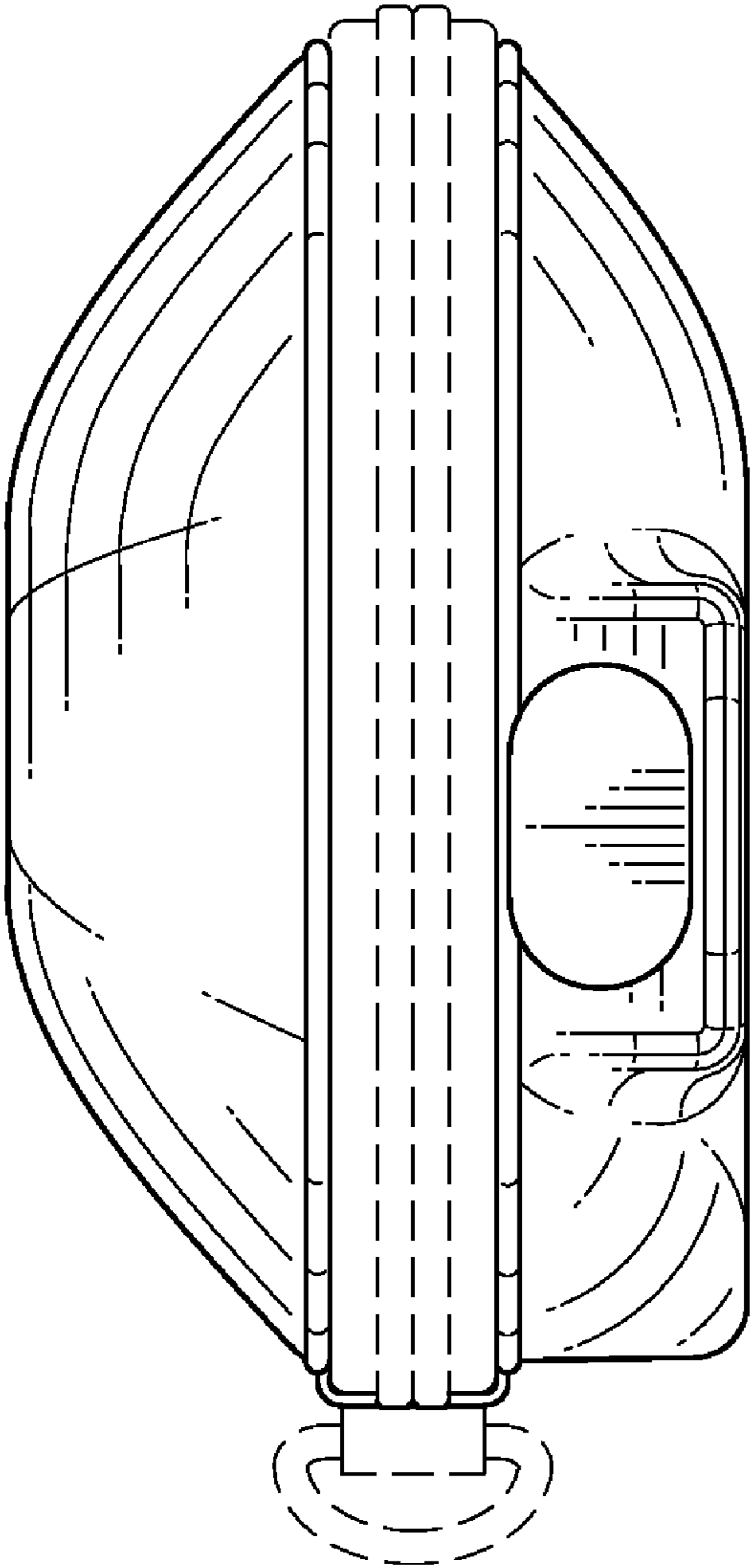


FIG. 7



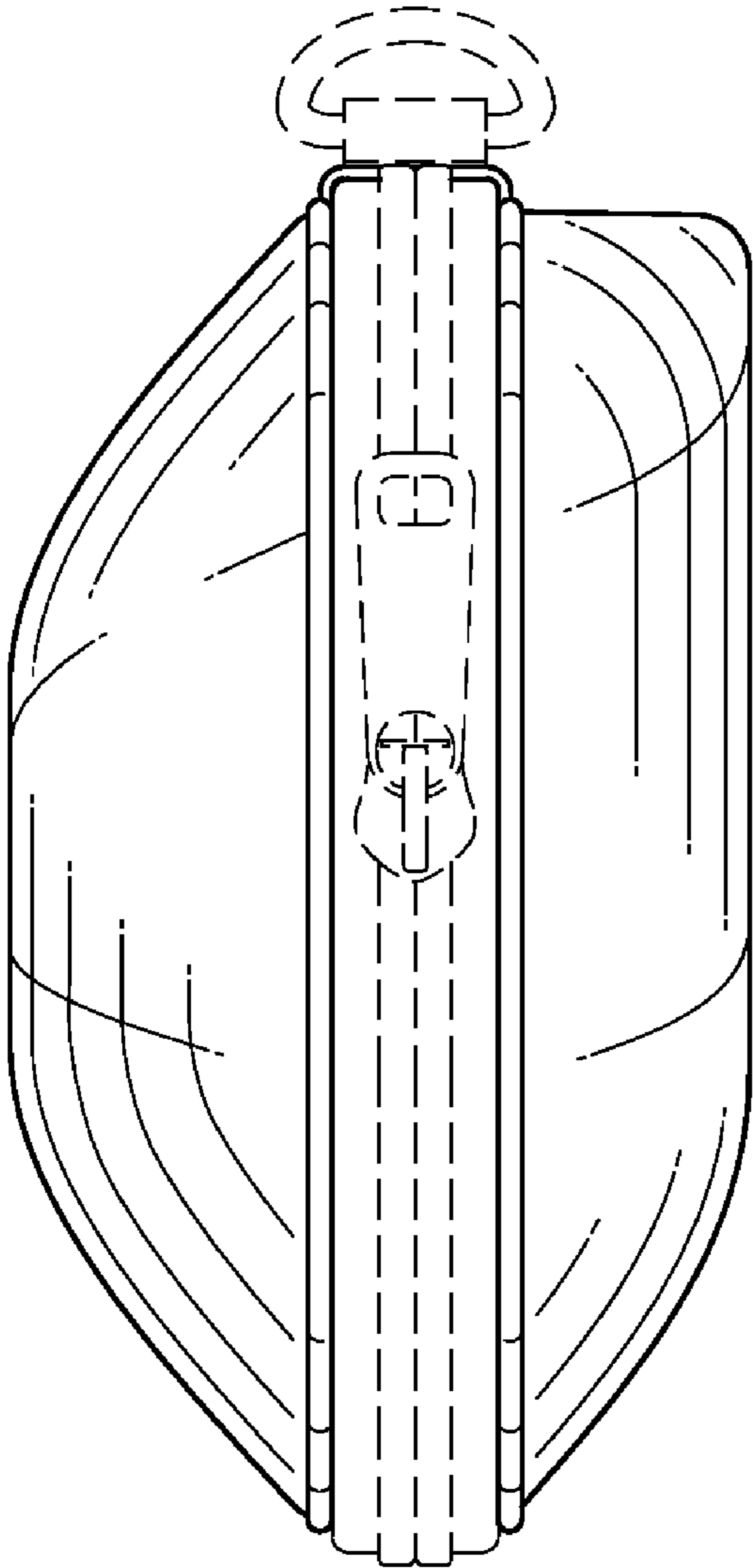


FIG. 8

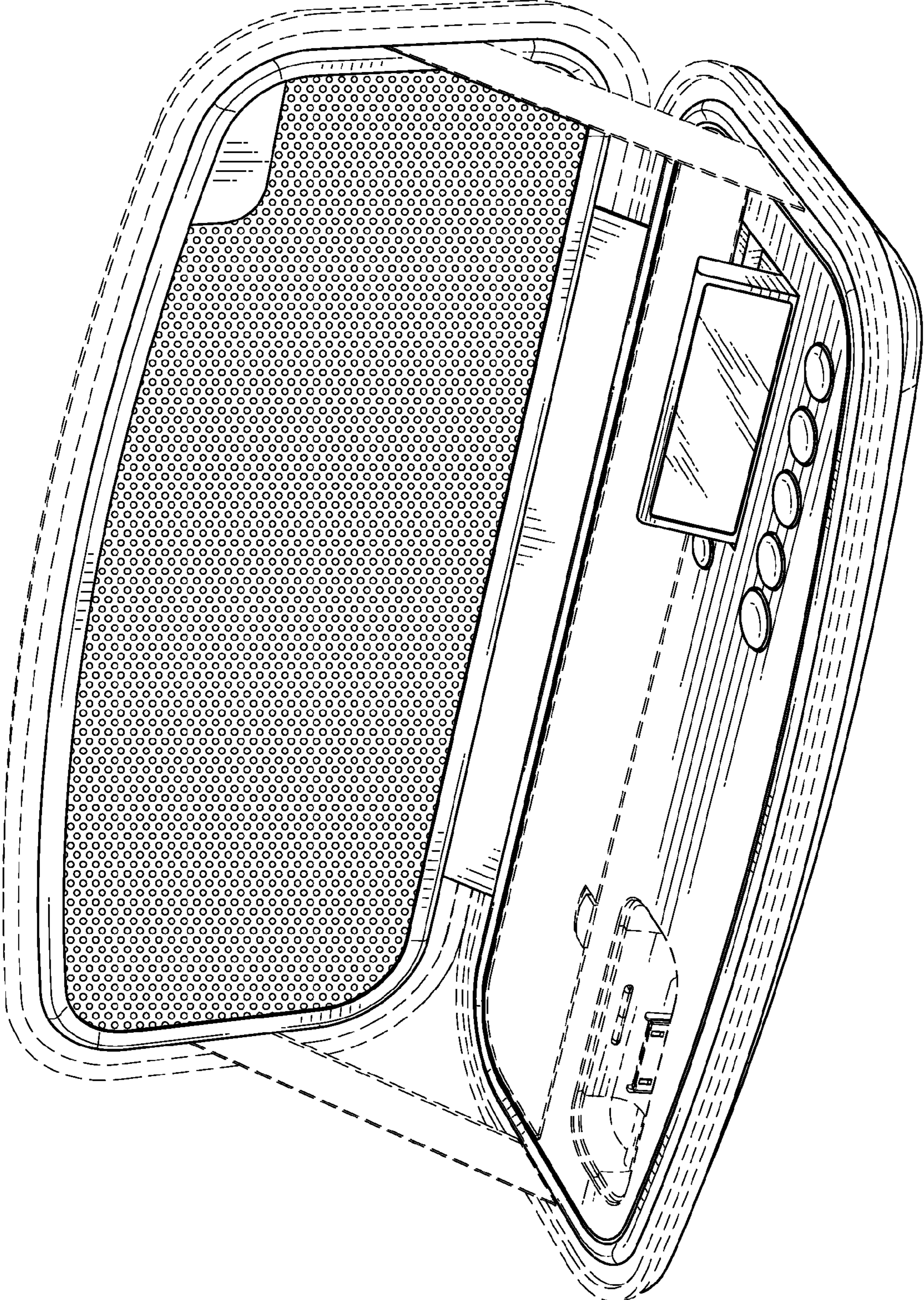


FIG. 9

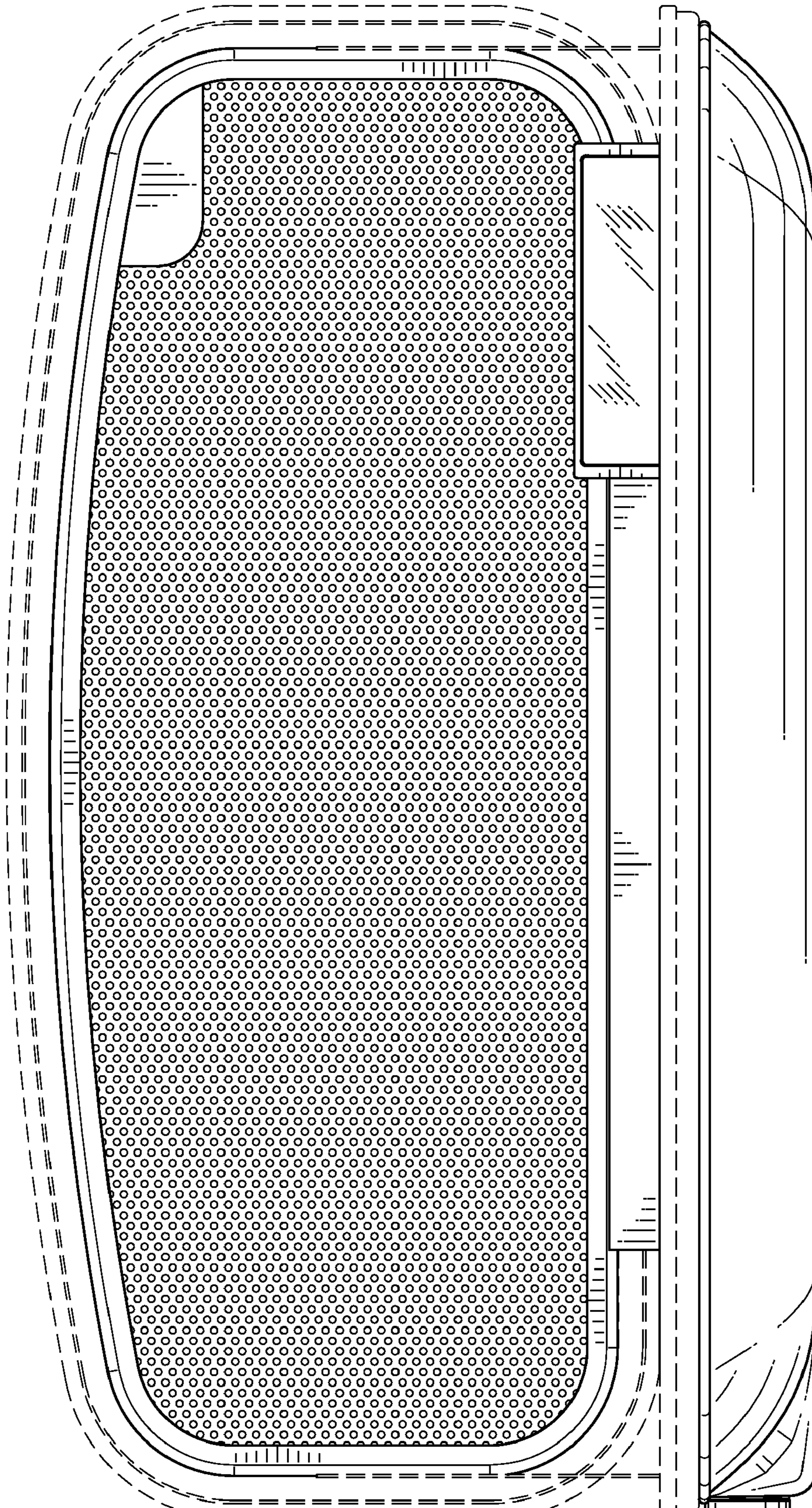


FIG. 10

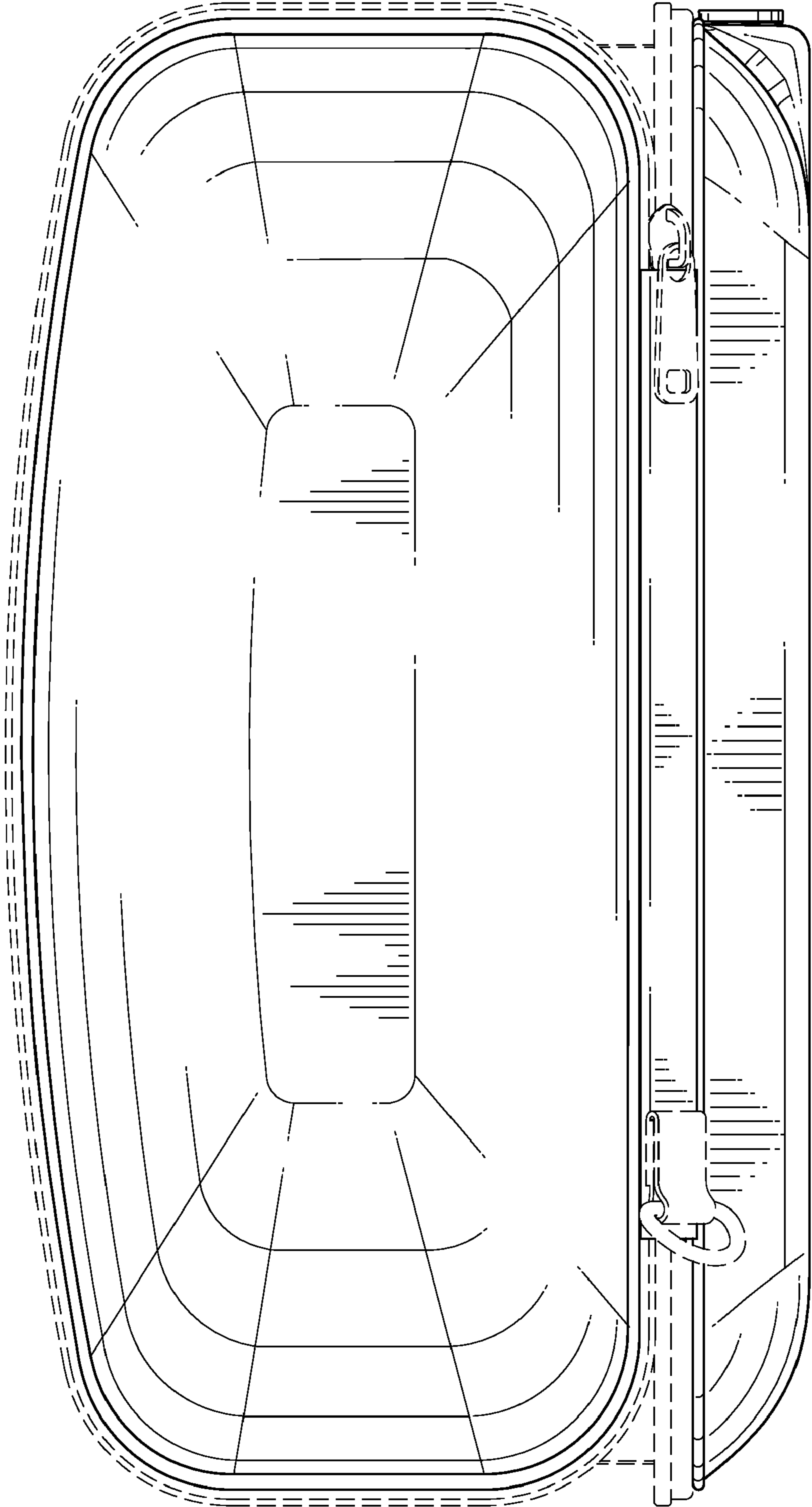


FIG. 11

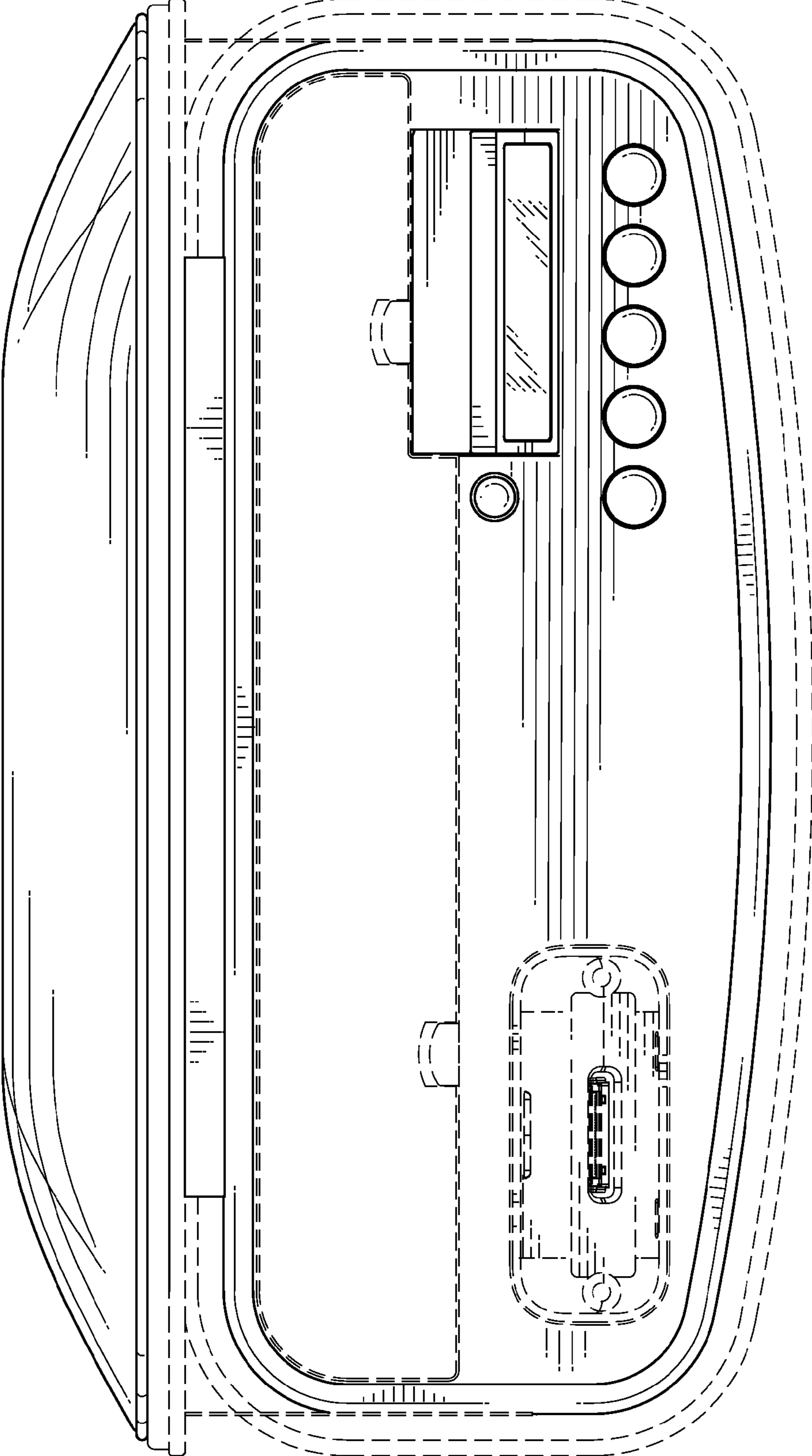


FIG. 12

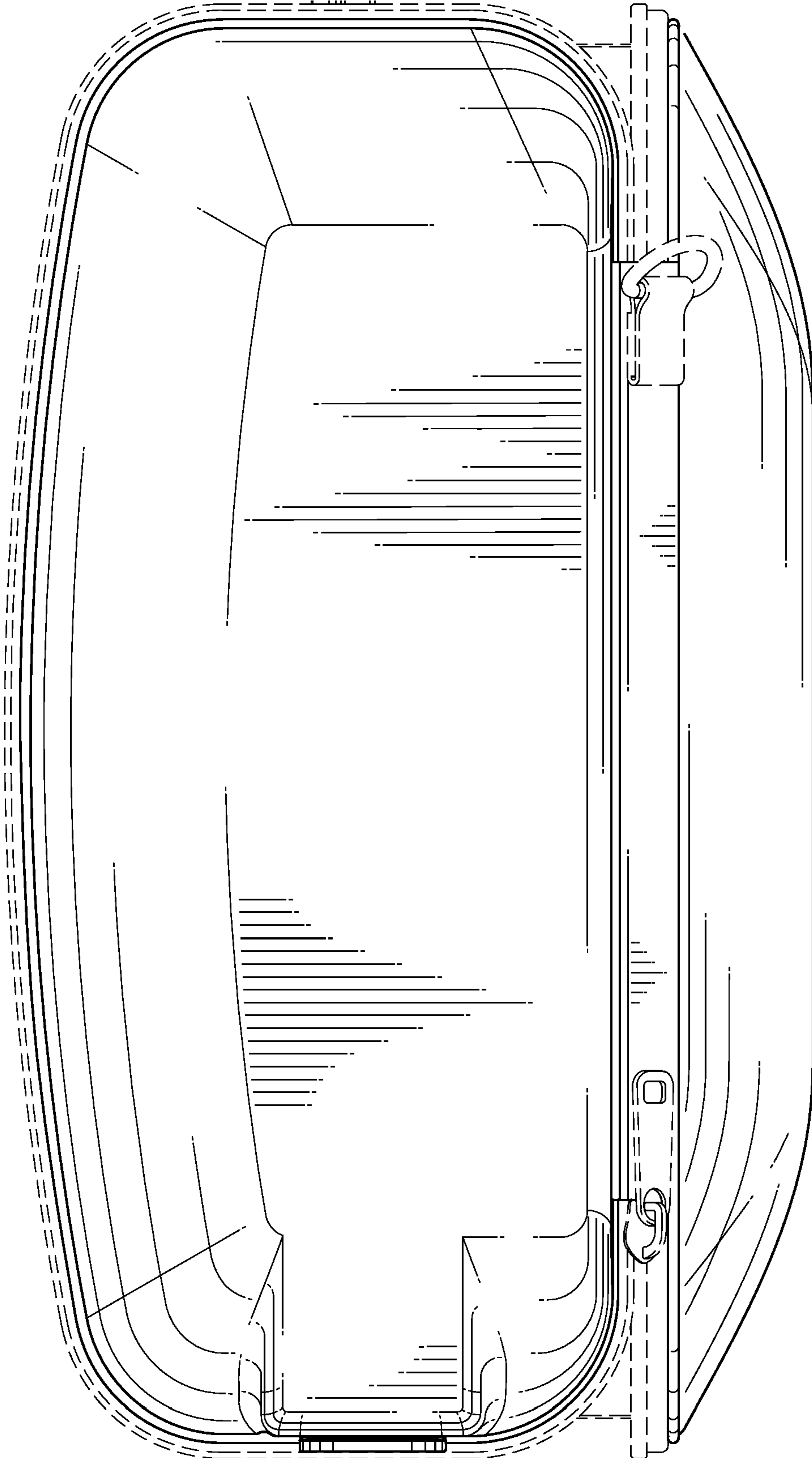


FIG. 13

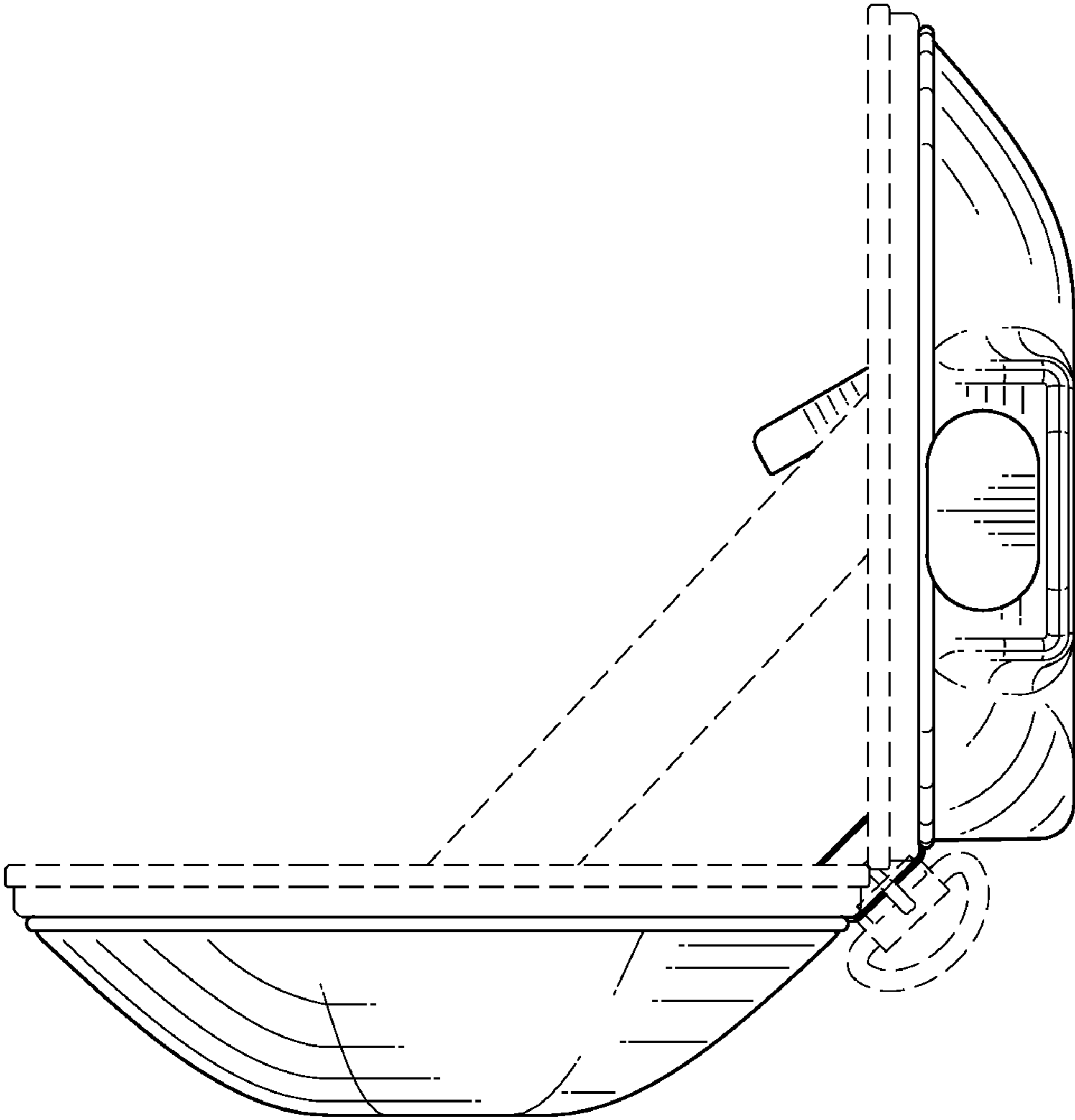


FIG. 14

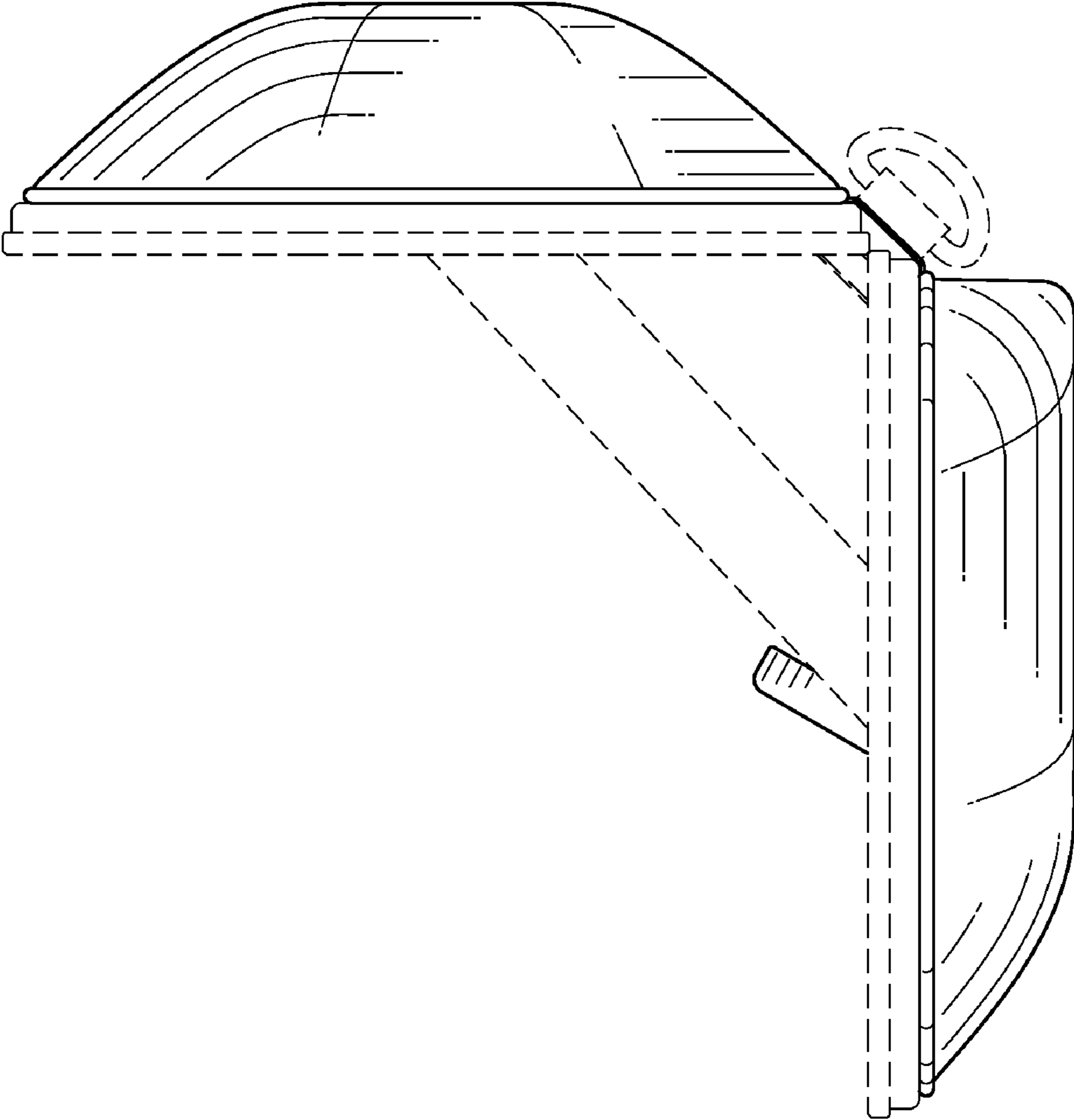


FIG. 15



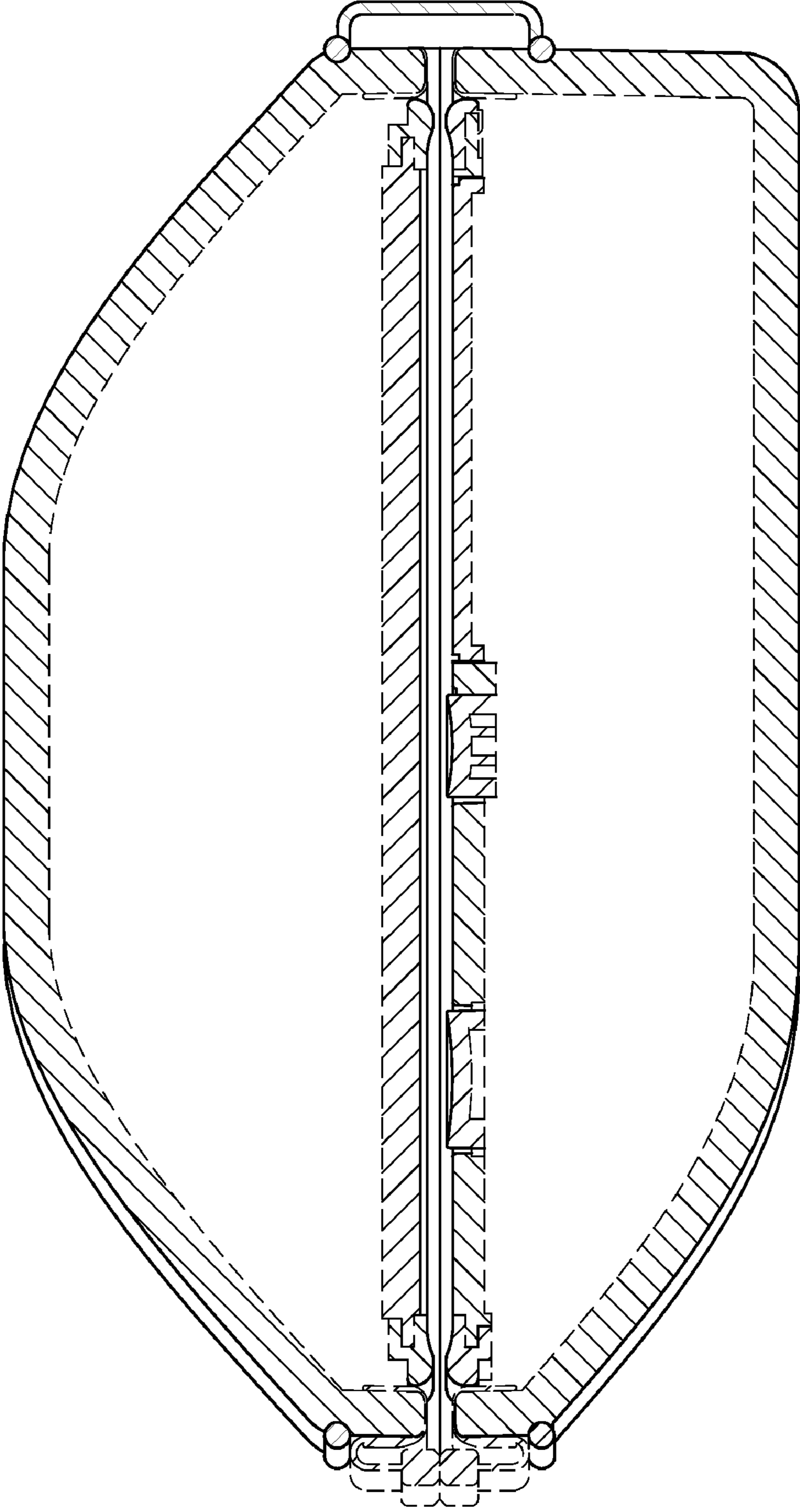


FIG. 16