



US00D619117S

(12) **United States Design Patent**
Unruh

(10) **Patent No.:** **US D619,117 S**
(45) **Date of Patent:** **** Jul. 6, 2010**

(54) **DIGITAL RECORDING AND PLAYBACK APPARATUS**

(76) Inventor: **Wallace R. Unruh**, 515 W. Oakwood La., Castle Rock, CO (US) 80108

(**) Term: **14 Years**

(21) Appl. No.: **29/346,624**

(22) Filed: **Nov. 3, 2009**

(51) **LOC (9) Cl.** **14-03**

(52) **U.S. Cl.** **D14/203.6; D14/496**

(58) **Field of Classification Search** D14/496, D14/401, 435, 474, 483, 217, 137, 138, 160, D14/168, 356, 203.1–203.8, 507; 345/156, 345/169, 173–179, 905; 715/727–729, 864; 710/1, 5, 8; 713/1, 600; 455/1.1, 1.7, 73, 455/344–347, 93, 95, 3.01–3.06, 550.1, 573.1; 370/342–344; 369/1, 2, 6–12; 463/43–47; 273/148 B

See application file for complete search history.

(56) **References Cited**

U.S. PATENT DOCUMENTS

- D442,570 S * 5/2001 Arjomand et al. D14/203.6
- D446,203 S * 8/2001 Arpe D14/203.1
- D467,892 S * 12/2002 Lewis D14/203.6
- 6,522,613 B1 * 2/2003 Frankeny et al. 720/655
- D493,158 S * 7/2004 Yang D14/509
- D514,122 S * 1/2006 Rodarte D14/203.6
- D521,022 S * 5/2006 Chen D14/203.6

- D527,017 S * 8/2006 Kim D14/203.6
- D531,159 S * 10/2006 Park D14/496
- D539,304 S * 3/2007 Lee D14/203.6
- 7,209,648 B2 * 4/2007 Barber et al. 386/117
- 7,255,646 B2 * 8/2007 Silverbrook et al. 463/30
- D554,614 S * 11/2007 Lin D14/509

* cited by examiner

Primary Examiner—Prabhakar Deshmukh

(74) *Attorney, Agent, or Firm*—Craig R. Miles; CR Miles, P.C.

(57) **CLAIM**

The ornamental design for a digital recording and playback apparatus, as shown and described.

DESCRIPTION

FIG. 1 is a perspective view of the digital recording and playback apparatus showing the left frontal view of my new design;

FIG. 2 is a front elevation view thereof showing the anterior side;

FIG. 3 is a rear elevation view thereof showing the posterior side;

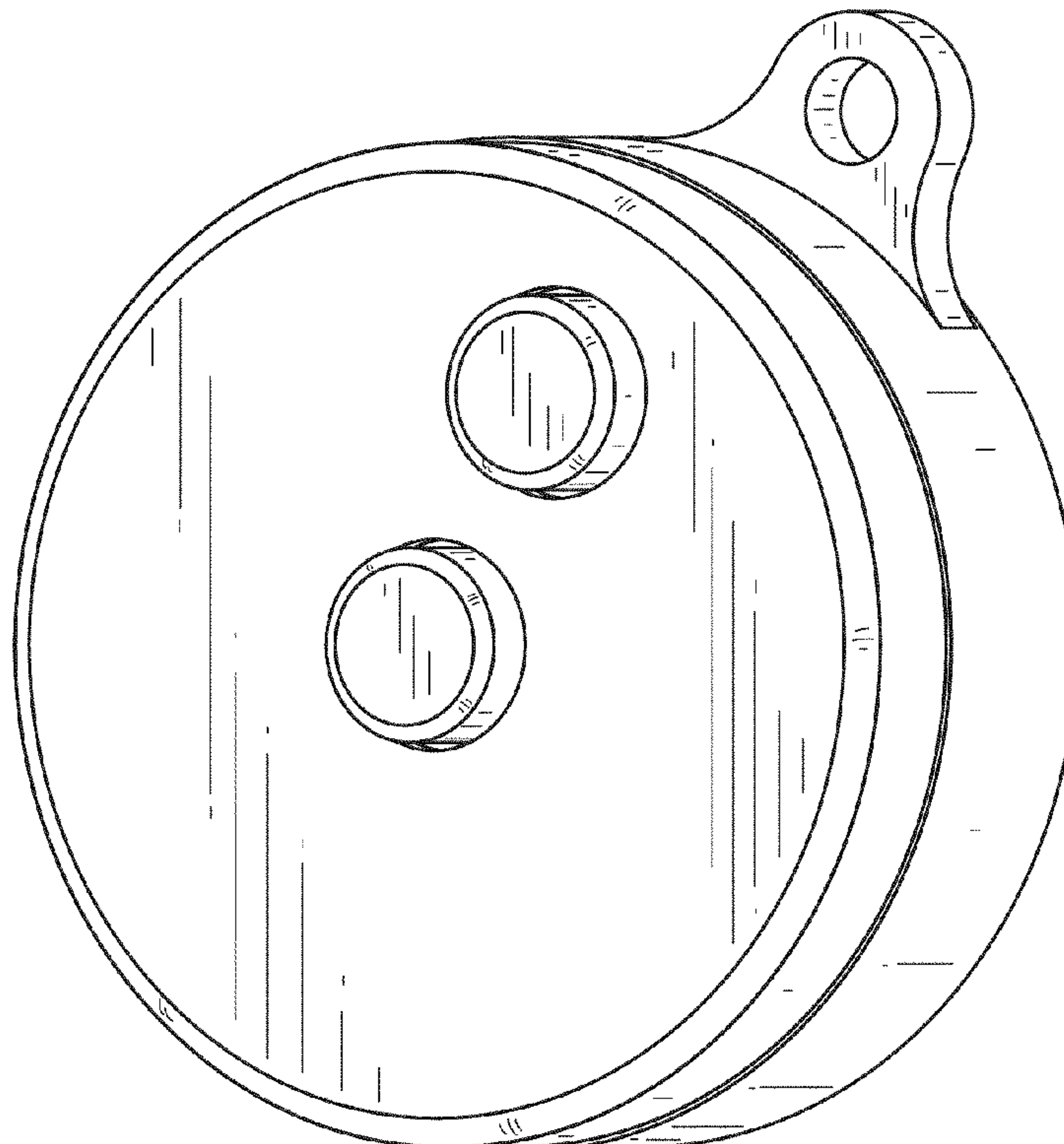
FIG. 4 is a side elevation view thereof showing the left side;

FIG. 5 is a side elevation view thereof showing the right side;

FIG. 6 is a top plan view thereof; and,

FIG. 7 is a bottom plan view thereof.

1 Claim, 5 Drawing Sheets



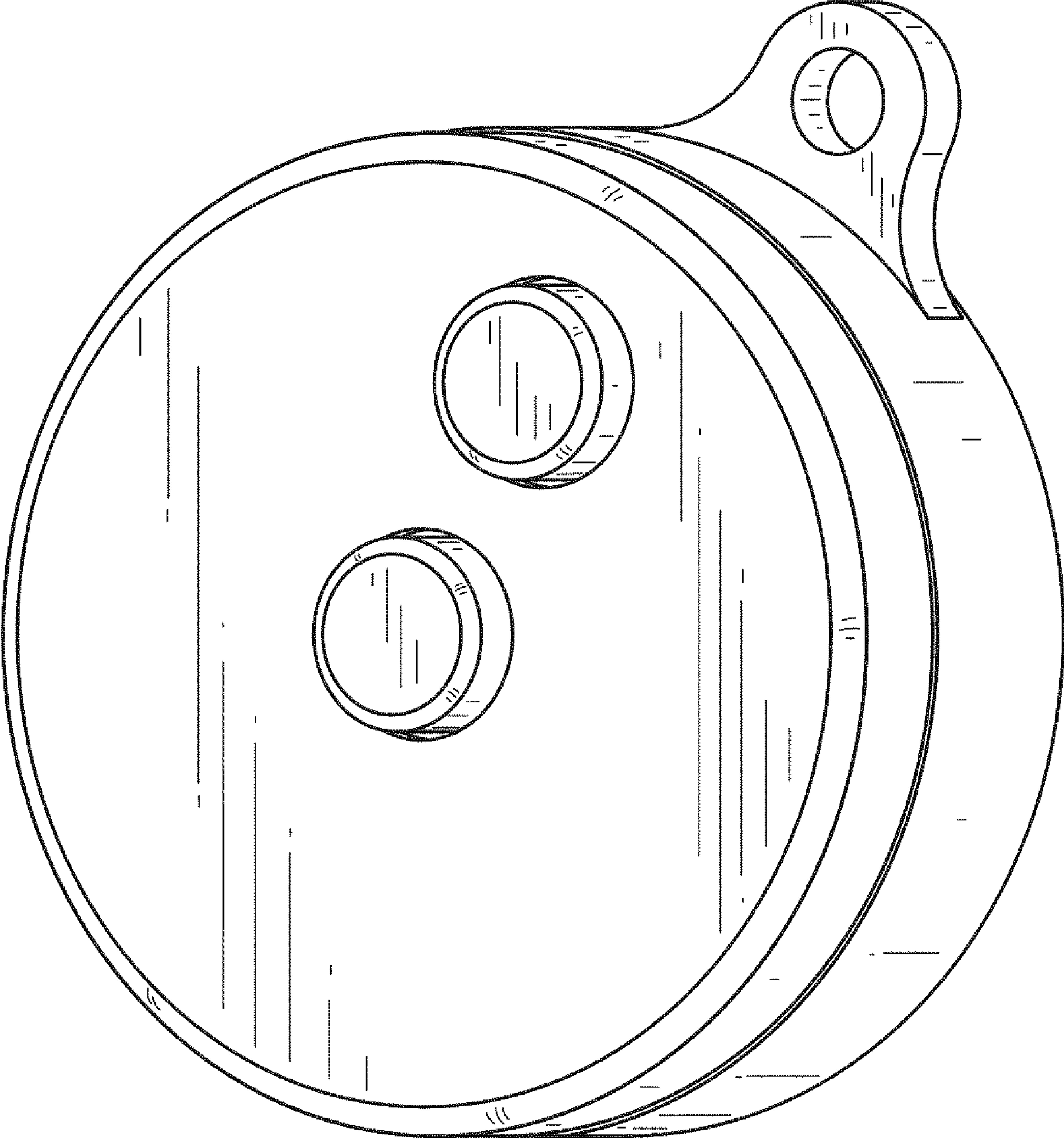


FIG. 1

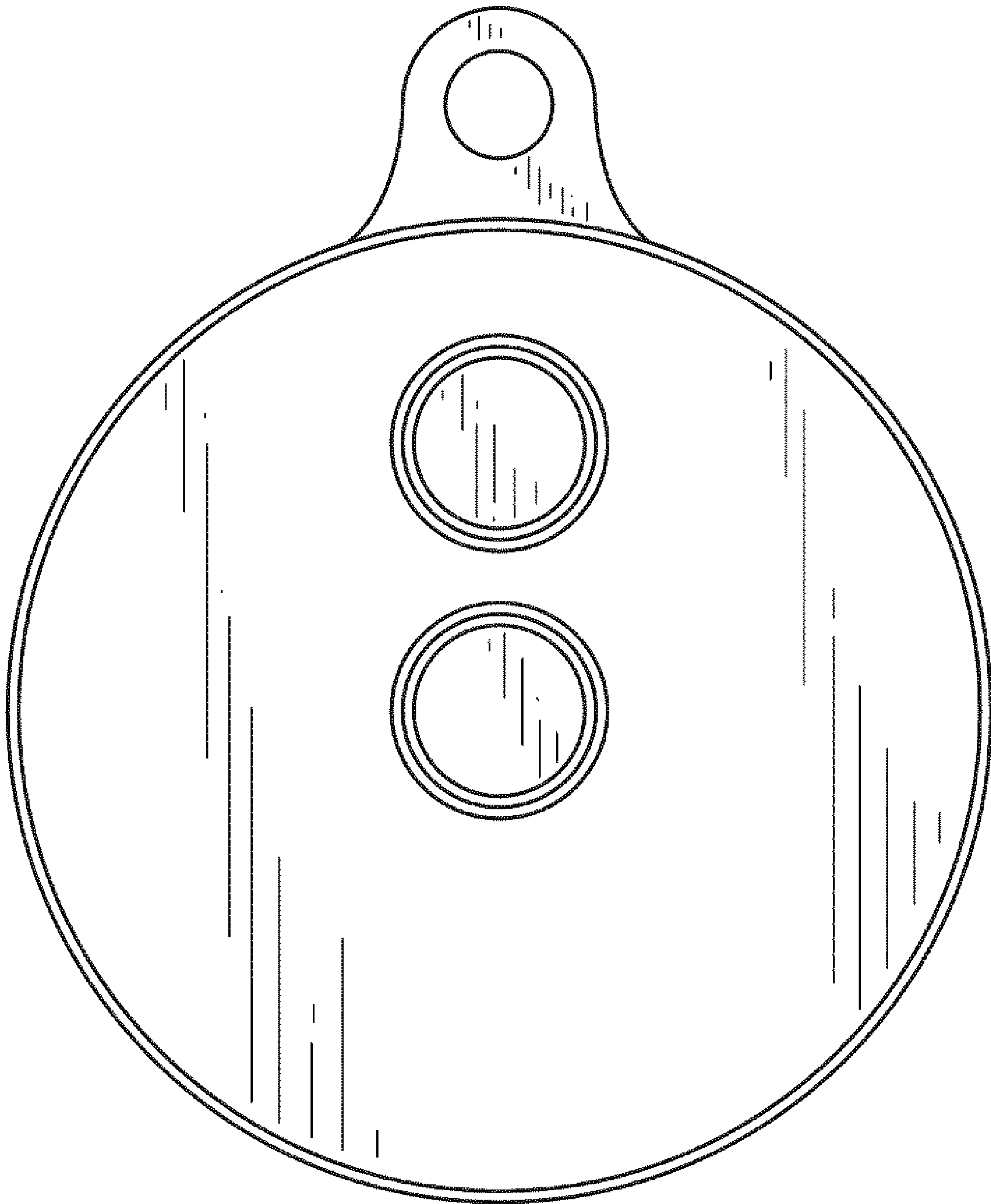


FIG. 2

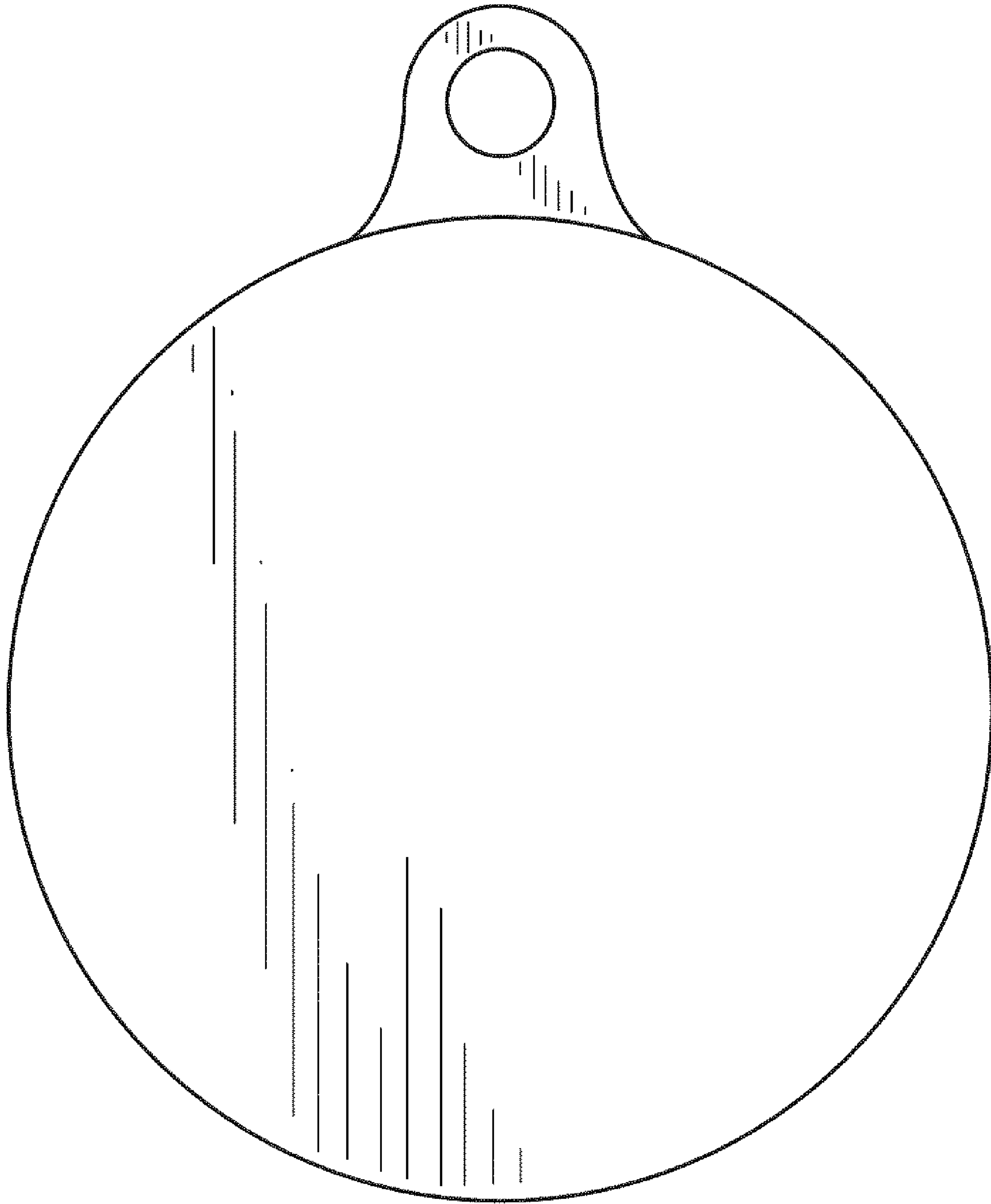


FIG. 3

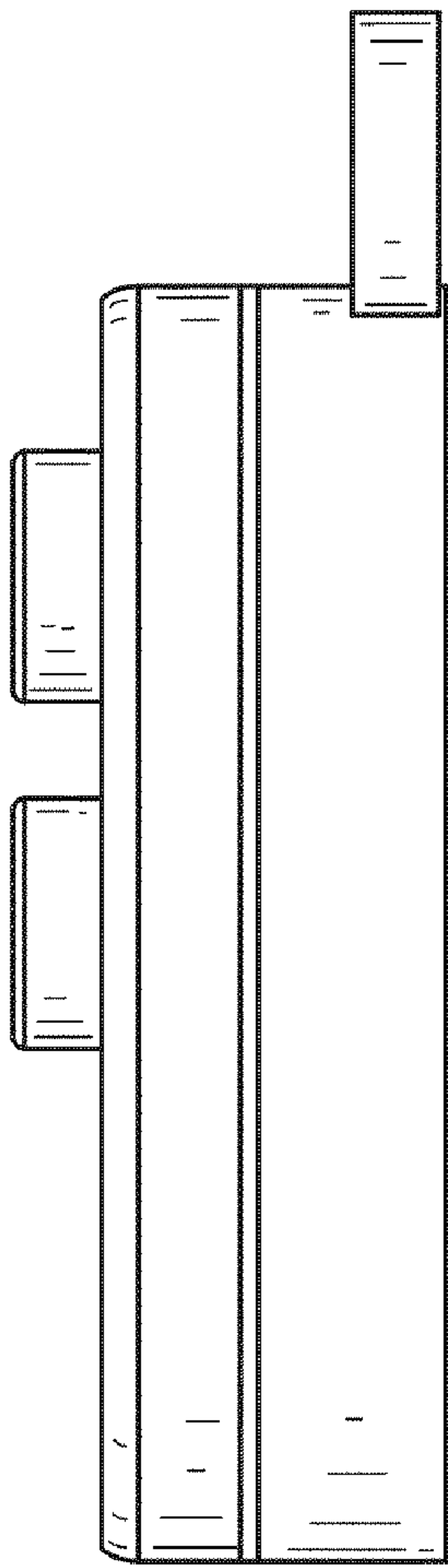


FIG. 4

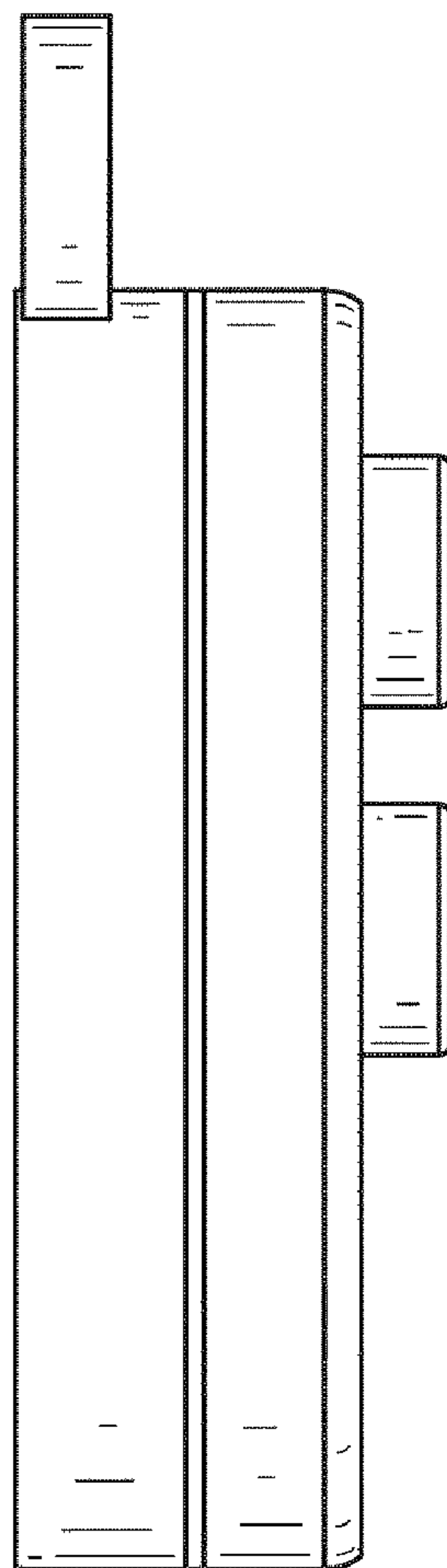


FIG. 5

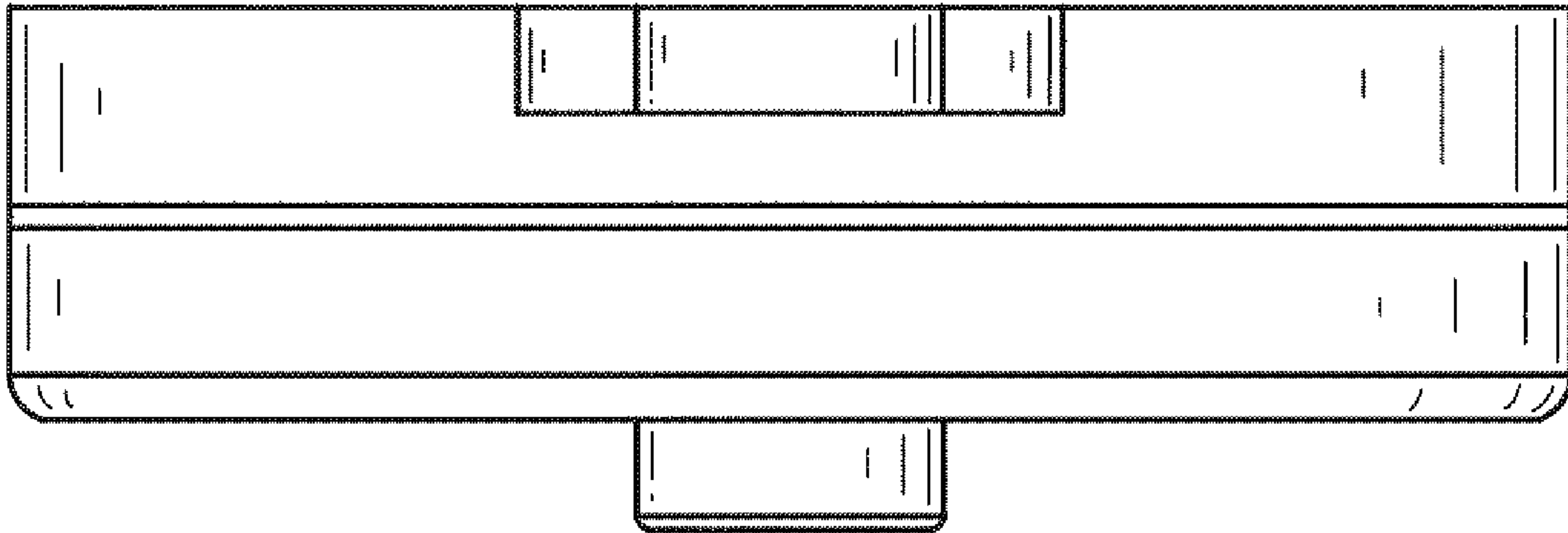


FIG. 6

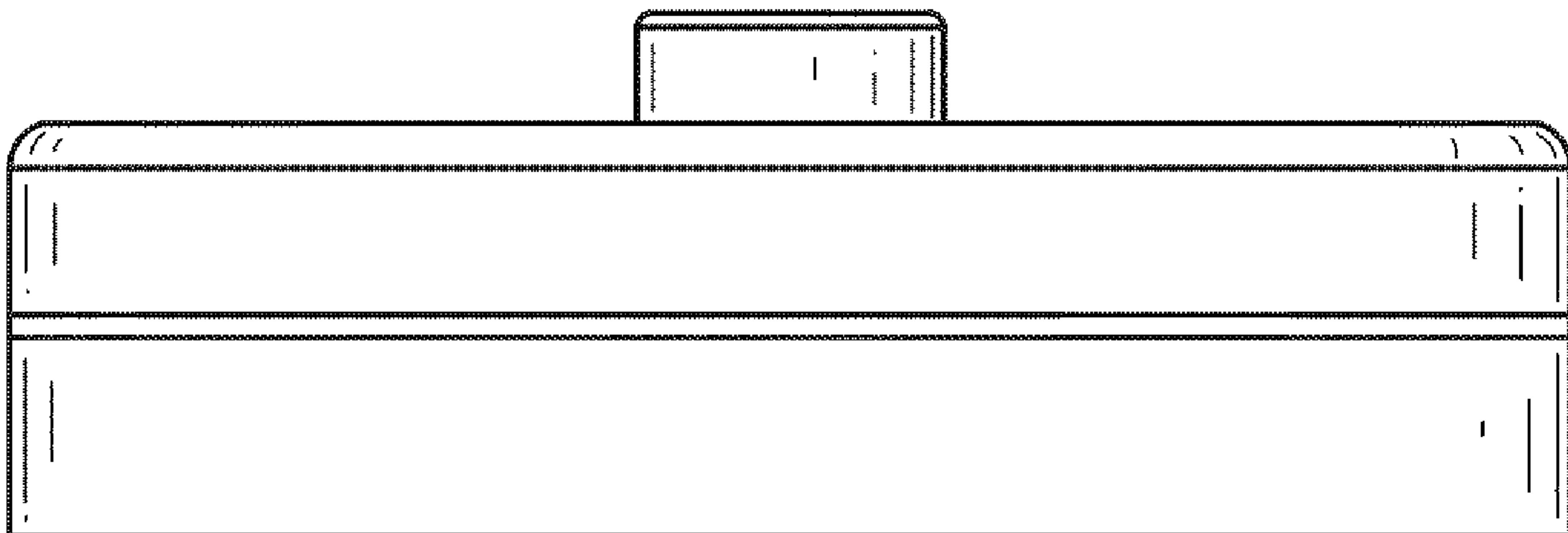


FIG. 7