



US00D619116S

(12) **United States Design Patent**  
**Skurdal**

(10) **Patent No.:** **US D619,116 S**

(45) **Date of Patent:** **\*\* Jul. 6, 2010**

(54) **ALARM CLOCK SPEAKER SYSTEM FOR MEDIA PLAYER**

D486,470 S \* 2/2004 Hakoda ..... D14/171  
D501,841 S \* 2/2005 Hsu ..... D14/171  
D503,395 S \* 3/2005 Hirano ..... D14/168

(75) Inventor: **Andrew Skurdal**, Jersey City, NJ (US)

\* cited by examiner

(73) Assignee: **SDI Technologies, Inc.**, Rahway, NJ (US)

*Primary Examiner*—Nanda Bondade

(74) *Attorney, Agent, or Firm*—Ostrolenk Faber LLP

(\* ) Notice: This patent is subject to a terminal disclaimer.

(57) **CLAIM**

(\*\*) Term: **14 Years**

The ornamental design for alarm clock speaker system for media player, as shown and described.

(21) Appl. No.: **29/332,478**

**DESCRIPTION**

(22) Filed: **Feb. 17, 2009**

(51) **LOC (9) Cl.** ..... **14-01**

(52) **U.S. Cl.** ..... **D14/168; D14/171; D10/2**

(58) **Field of Classification Search** ..... D14/496,  
D14/498–511, 167–168, 188, 197–198, 169–172;  
360/99.02, 99.07; 369/75.11, 75.21, 77.11,  
369/77.21; 720/601, 612, 619, 649, 655;  
455/344, 347–351; D10/2, 15

See application file for complete search history.

FIG. 1 is a front, right side, perspective view of an alarm clock speaker system for media player showing my new design;

FIG. 2 is a front view thereof;

FIG. 3 is a rear view thereof;

FIG. 4 is a right side view thereof;

FIG. 5 is a left side view thereof;

FIG. 6 is a top view thereof;

FIG. 7 is a bottom view thereof;

FIG. 8 is a cross section thereof on line 8—8 in FIG. 2; and,

FIG. 9 is a cross section thereof on line 9—9 in FIG. 6.

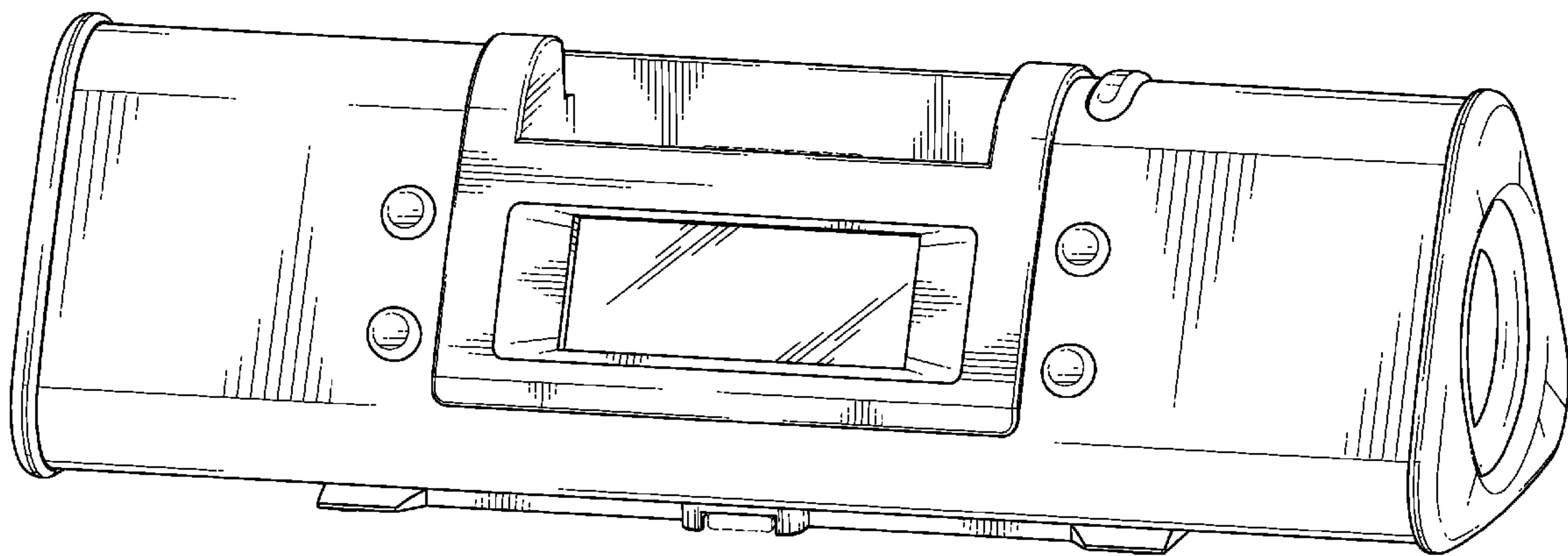
The broken line showing is of environmental material and forms no part of the claimed design.

(56) **References Cited**

**U.S. PATENT DOCUMENTS**

D304,453 S \* 11/1989 Matsushima ..... D14/170  
D306,731 S \* 3/1990 Weisz et al. .... D14/168  
D421,436 S \* 3/2000 Matsuoka ..... D14/500

**1 Claim, 7 Drawing Sheets**



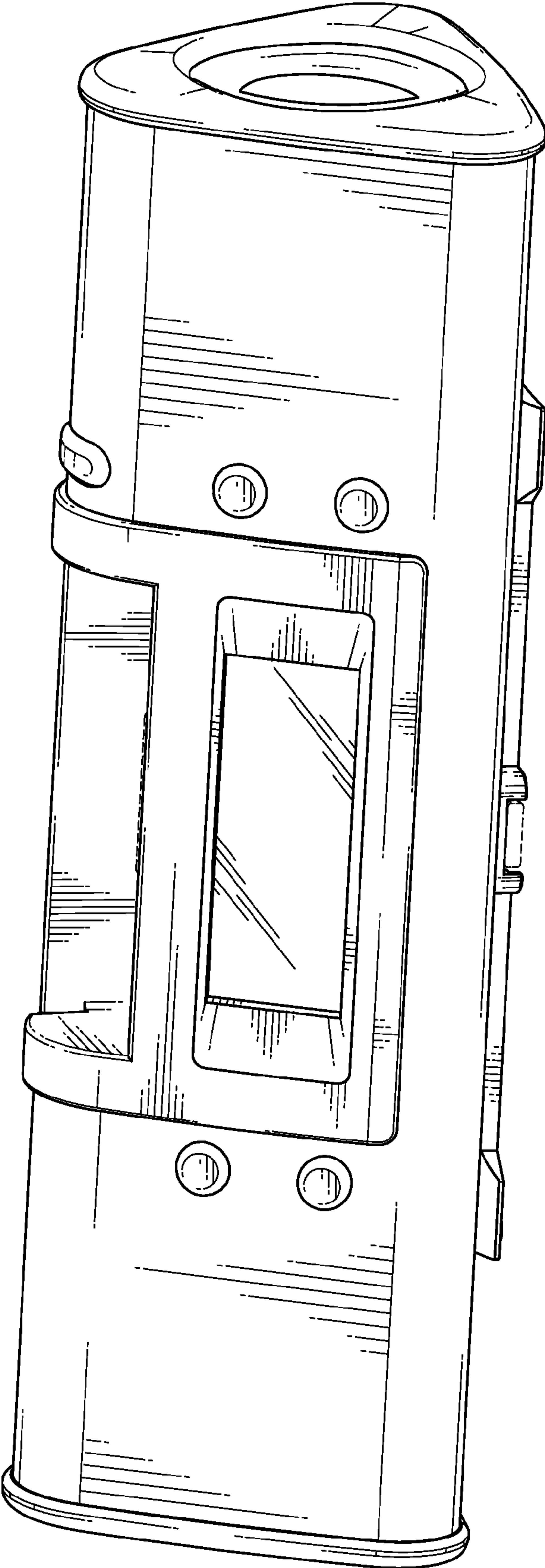


FIG. 1

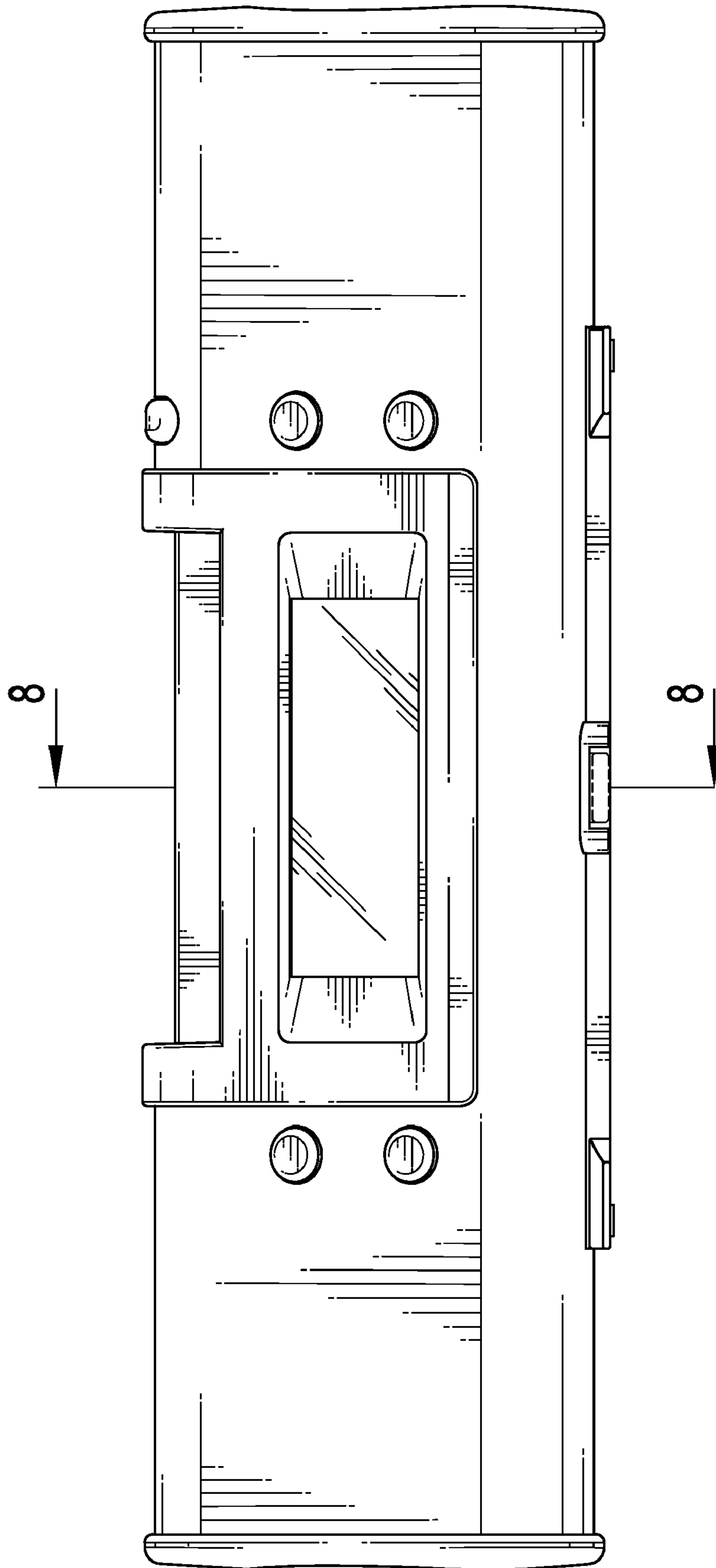


FIG. 2

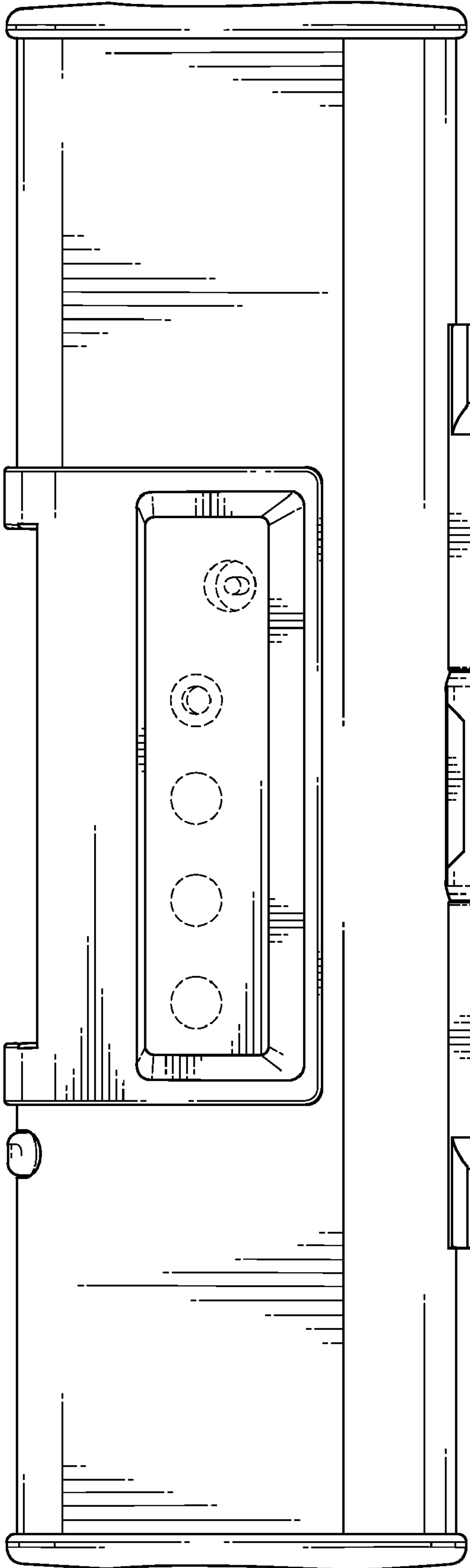


FIG. 3

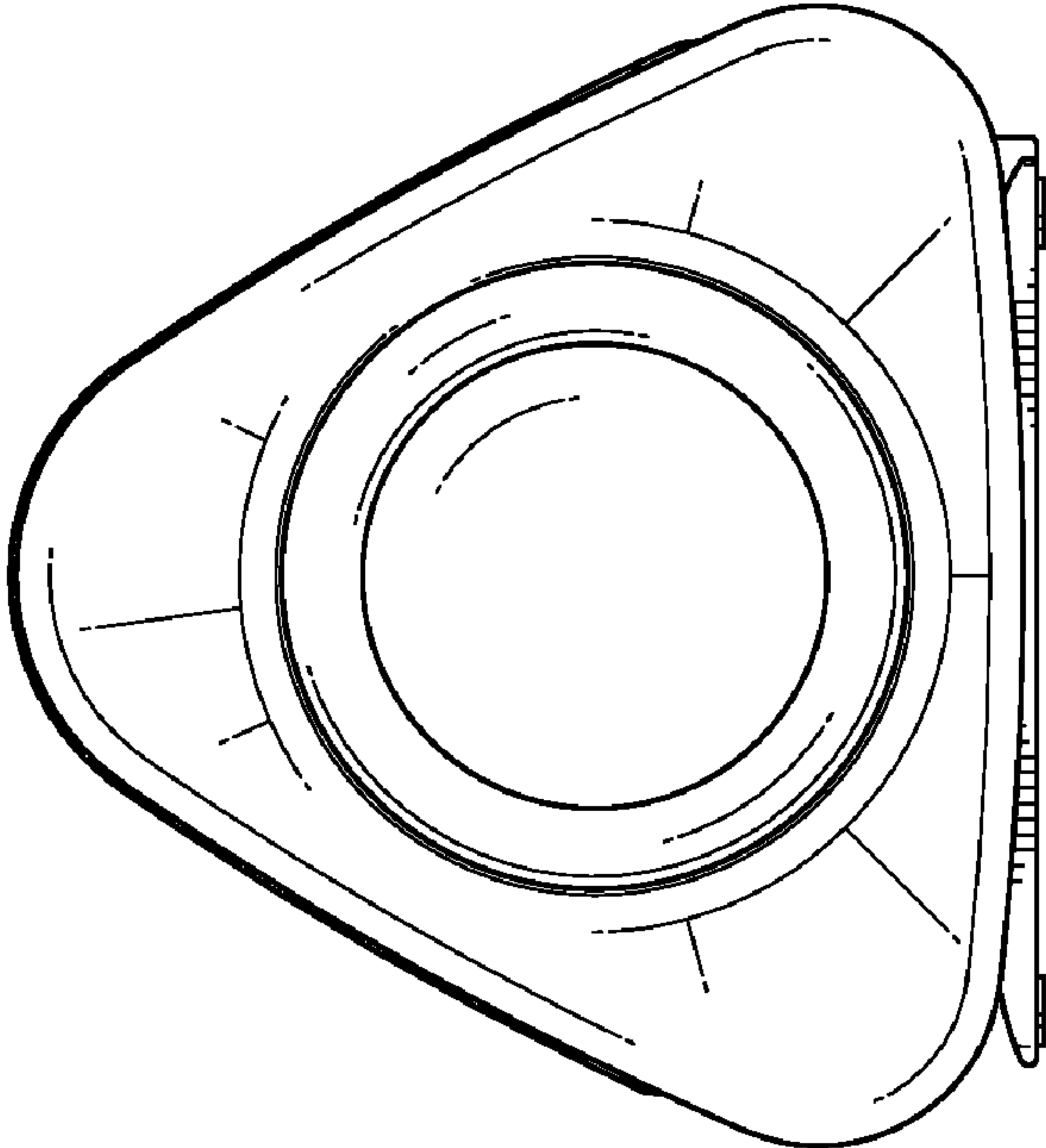


FIG. 5

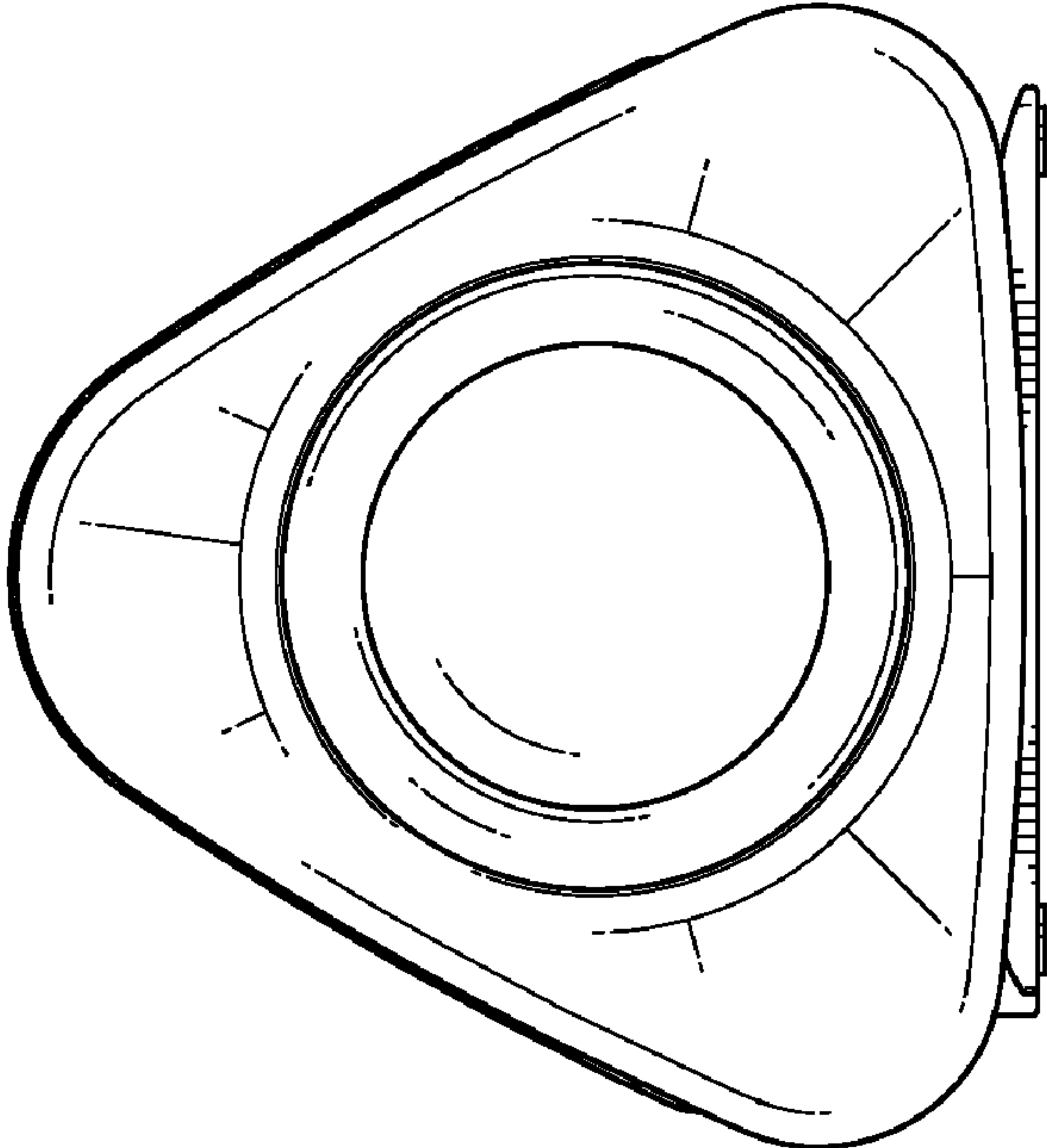


FIG. 4

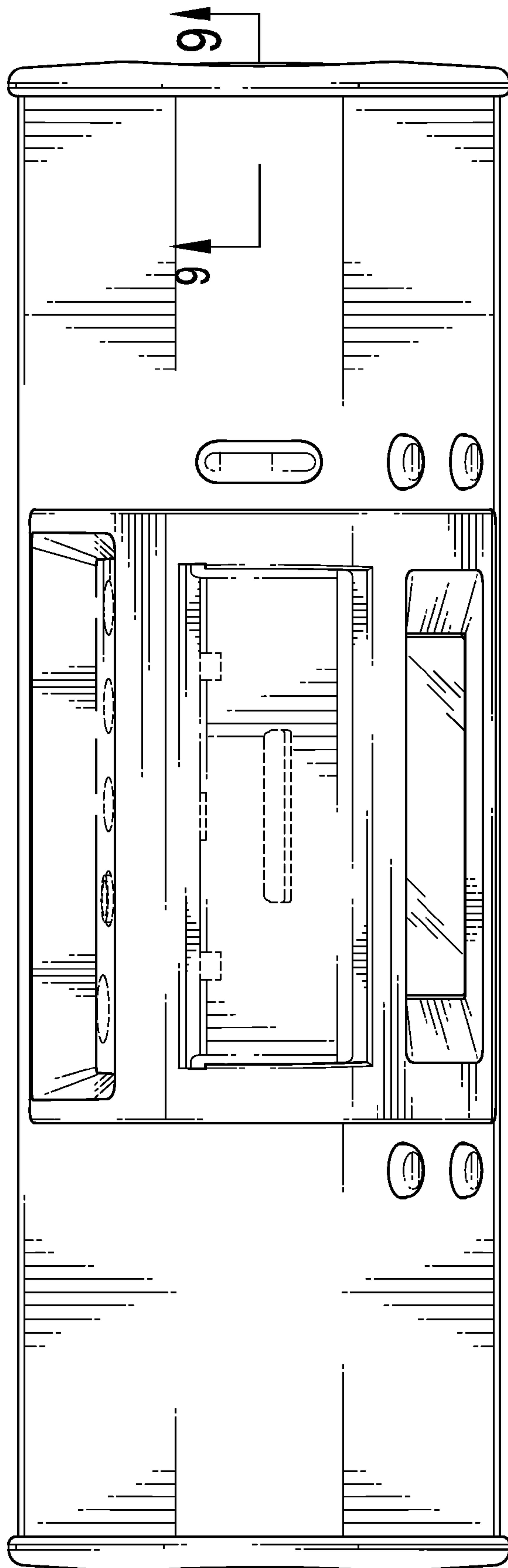


FIG. 6

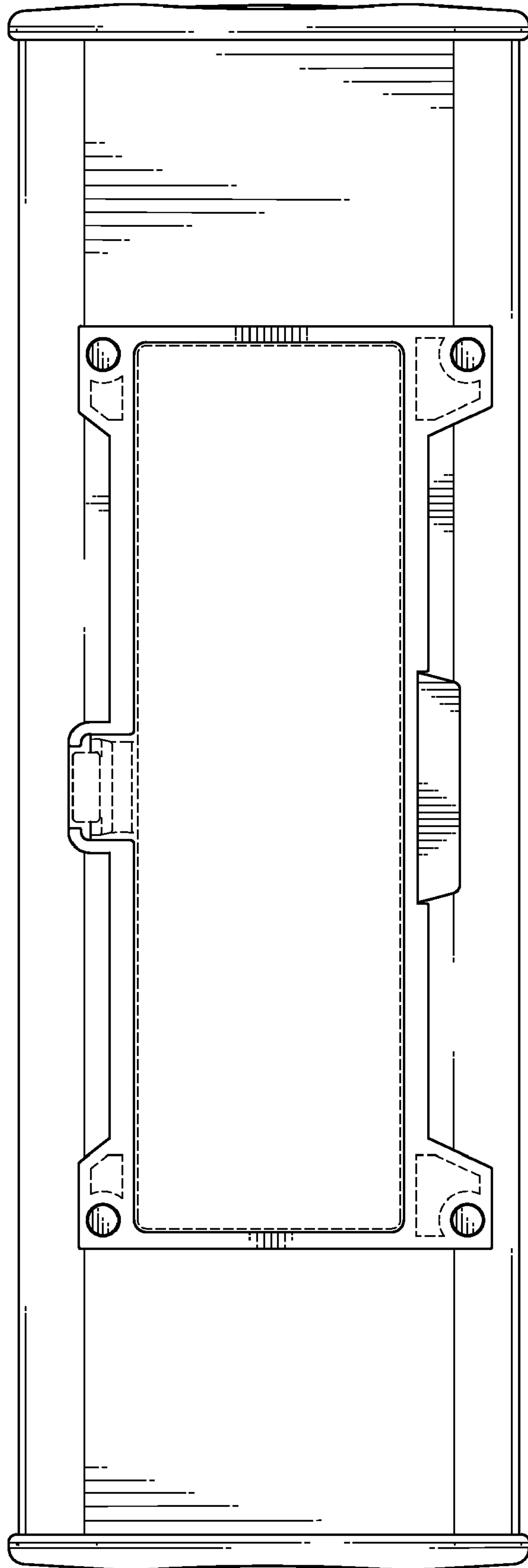


FIG. 7

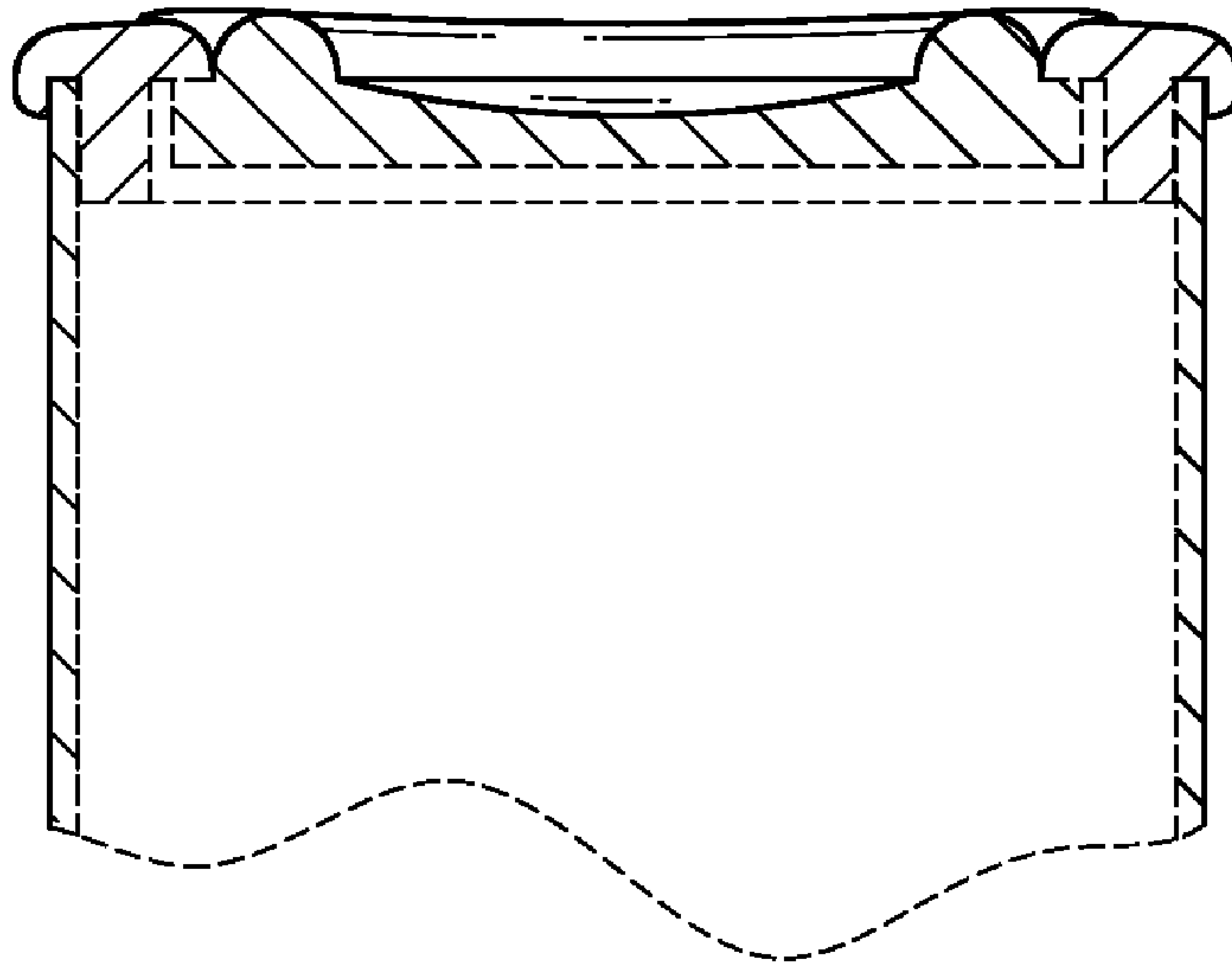


FIG. 9

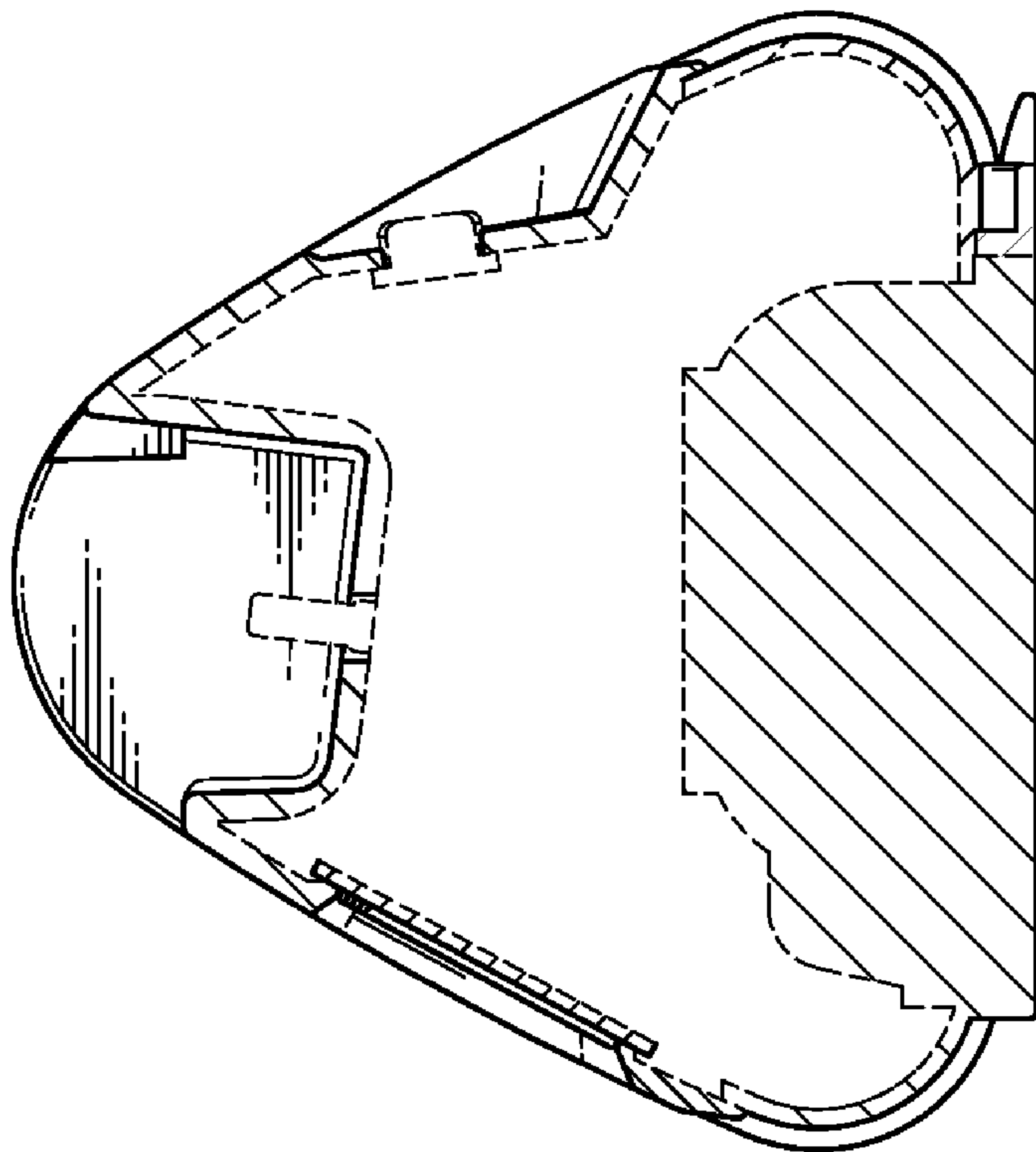


FIG. 8