



US00D619114S

(12) **United States Design Patent**
Lu

(10) **Patent No.:** **US D619,114 S**
(45) **Date of Patent:** **** Jul. 6, 2010**

(54) **HANDSET**

(75) Inventor: **Wen-Yo Lu**, Alhambra, CA (US)

(73) Assignee: **Nokia Corporation**, Espoo (FI)

(**) Term: **14 Years**

(21) Appl. No.: **29/334,733**

(22) Filed: **Mar. 31, 2009**

(51) **LOC (9) Cl.** **14-03**

(52) **U.S. Cl.** **D14/138 AD**

(58) **Field of Classification Search** D14/138 R,
D14/138 AD, 138 AC, 138 C, 138 G, 191,
D14/203.1–203.8, 496, 138 AA, 138 AB,
D14/247–248, 137, 147, 218, 341–347;
D10/65, 78, 104; D13/168; D18/7; 455/566,
455/575.1, 575.3

See application file for complete search history.

(56) **References Cited**

U.S. PATENT DOCUMENTS

D511,342 S *	11/2005	Chien	D14/346
D527,368 S *	8/2006	Kim et al.	D14/138 AD
D531,610 S *	11/2006	Kim et al.	D14/138 AD
D536,691 S *	2/2007	Park	D14/138 AD
D549,204 S *	8/2007	Cho	D14/138 AD
D550,190 S *	9/2007	Minamide et al.	D14/138 AD
7,269,450 B2 *	9/2007	Lee et al.	455/575.1
D561,781 S *	2/2008	Park	D14/496
D562,793 S *	2/2008	Kim et al.	D14/138 AD
D567,791 S *	4/2008	Chung et al.	D14/138 AD
D568,861 S *	5/2008	Kim et al.	D14/138 AD
D570,815 S *	6/2008	Son et al.	D14/138 AD
D579,904 S *	11/2008	Kim et al.	D14/138 AD
D588,567 S *	3/2009	Miles et al.	D14/138 AD
D588,568 S *	3/2009	Miles et al.	D14/138 AD
D589,483 S *	3/2009	Tkachuk	D14/138 AD
D592,172 S *	5/2009	Chen	D14/138 AD
7,539,524 B2 *	5/2009	Chen	455/575.1
D597,518 S *	8/2009	Asmussen	D14/138 AD
D599,319 S *	9/2009	Asmussen	D14/138 AD
D600,666 S *	9/2009	Chen	D14/138 AD

D601,109 S *	9/2009	Lee et al.	D14/138 AD
2005/0255897 A1 *	11/2005	Lee et al.	455/575.4
2008/0119248 A1 *	5/2008	Nissen et al.	455/575.4
2008/0242377 A1 *	10/2008	Lee	455/575.1
2009/0082067 A1 *	3/2009	Song	455/566

FOREIGN PATENT DOCUMENTS

WO DM/069886 * 12/2007

OTHER PUBLICATIONS

Alcatel OT-C825, announced Feb. 2007, [online], [retrieved on Feb. 16, 2007]. Retrieved from Internet ,<URL: http://www.gsmarena.com>.*

(Continued)

Primary Examiner—Jeffrey D Asch
Assistant Examiner—Bridget L Eland
(74) *Attorney, Agent, or Firm*—Banner & Witcoff, Ltd.

(57) **CLAIM**

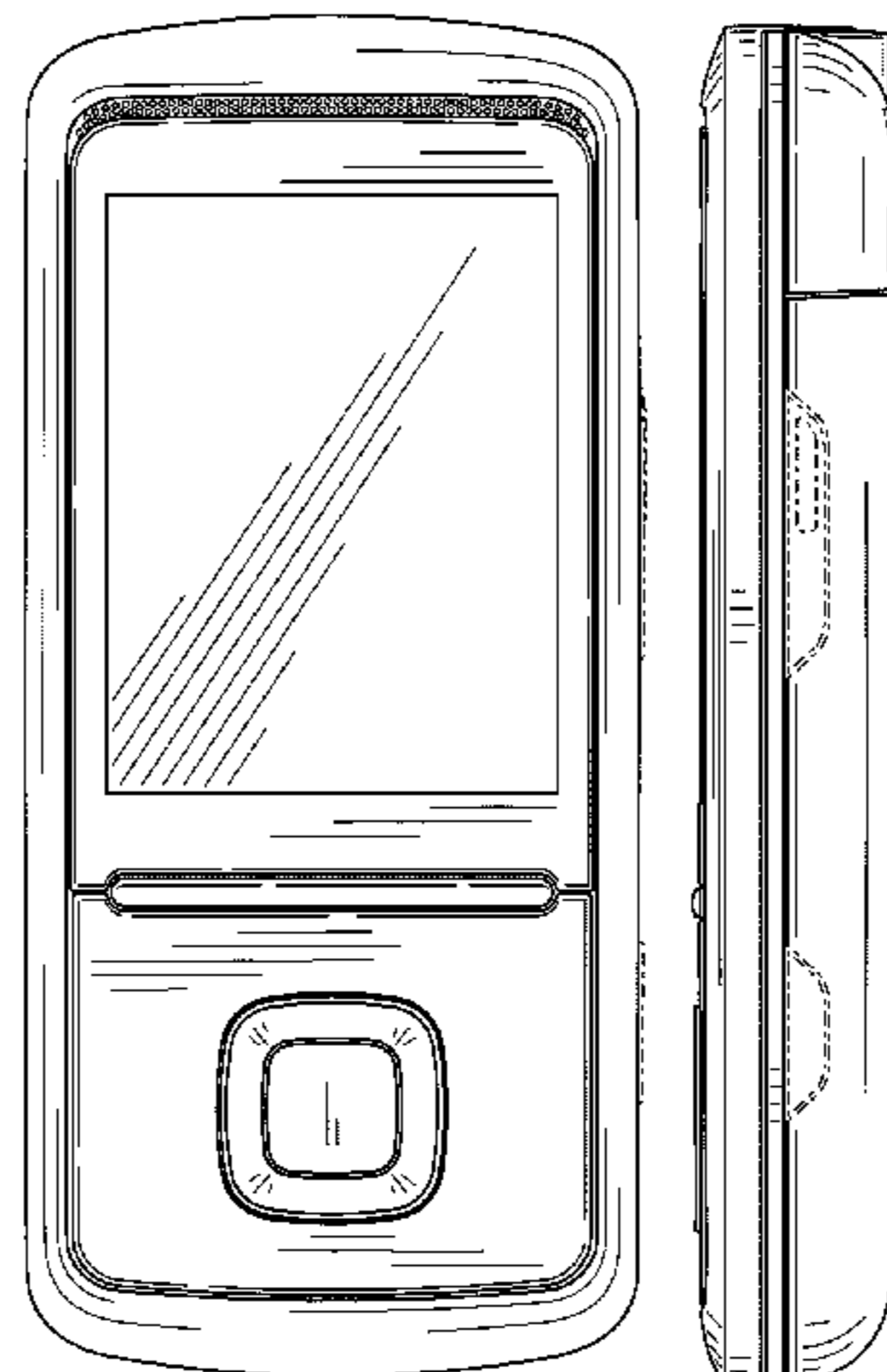
The ornamental design for a handset, as shown and described.

DESCRIPTION

FIG. 1 is a perspective front view of a first handset showing my new design;
FIG. 2 is a front view thereof;
FIG. 3 is a right side view thereof;
FIG. 4 is a left side view thereof;
FIG. 5 is a top view thereof;
FIG. 6 is a bottom view thereof; and,
FIG. 7 is a rear view thereof.

The broken lines immediately adjacent the shaded areas represent the bounds of the claimed design while all other broken lines are directed to environment and are for illustrative purposes; the broken lines form no part of the claimed design.

1 Claim, 5 Drawing Sheets



OTHER PUBLICATIONS

iNQ iNQ1, announced Feb. 2009, [online], [retrieved on Nov. 24, 2009]. Retrieved from Internet ,<URL: <http://www.gsmarena.com>>.*

Sagem my721z, announced Feb. 2008, [online], [retrieved on Mar. 21, 2008]. Retrieved from Internet ,<URL: <http://www.gsmarena.com>>.*

Samsung F250, announced Aug. 2007, [online], [retrieved on Dec. 13, 2007]. Retrieved from Internet ,<URL: <http://www.gsmarena.com>>.*

Nokia 5610 XpressMusic—D. 588,567 & D. 588,568 (Filed:Dec. 20, 2007 Issued:Mar. 17, 2009).

Nokia 5330 XpressMusic—Filed: Feb. 18, 2009; Announced: Mar. 2009.

* cited by examiner

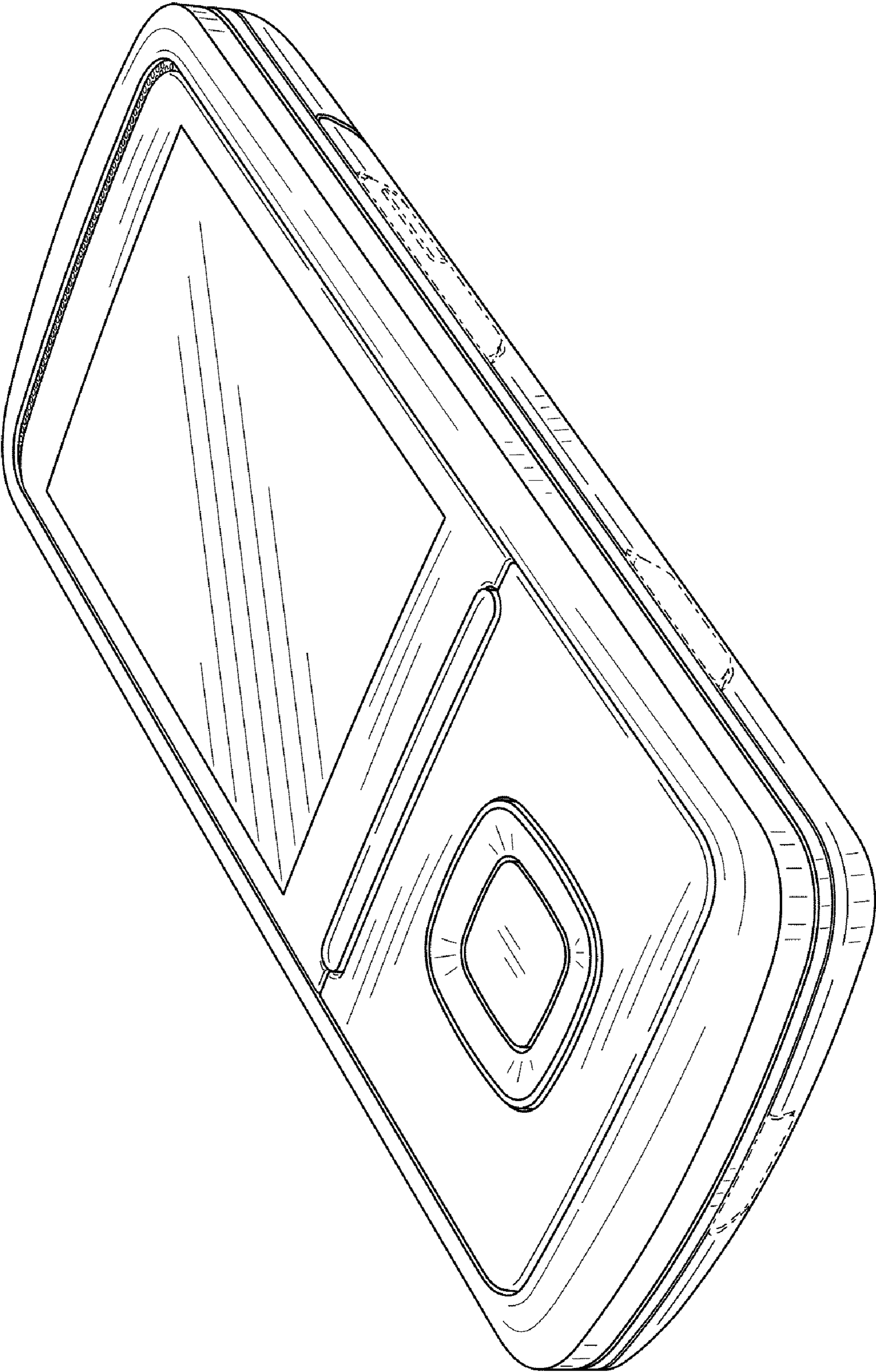


FIG. 1

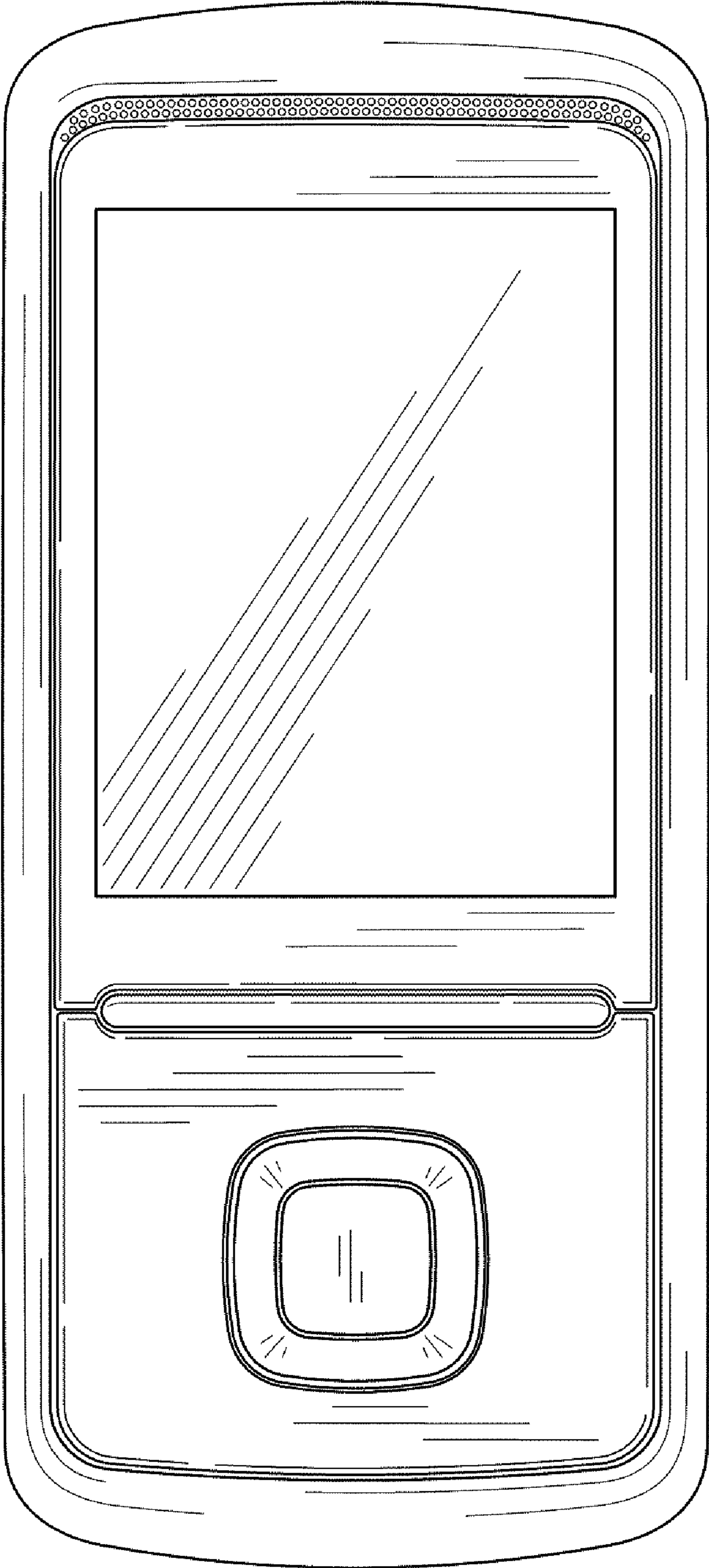


FIG. 2

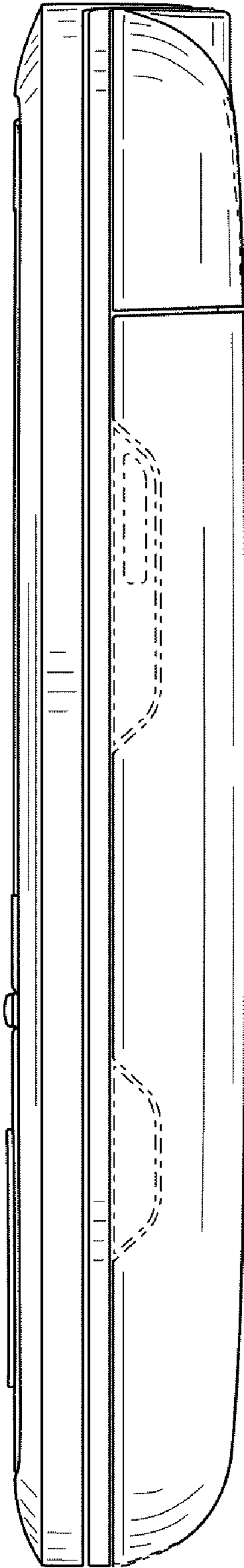


FIG. 3

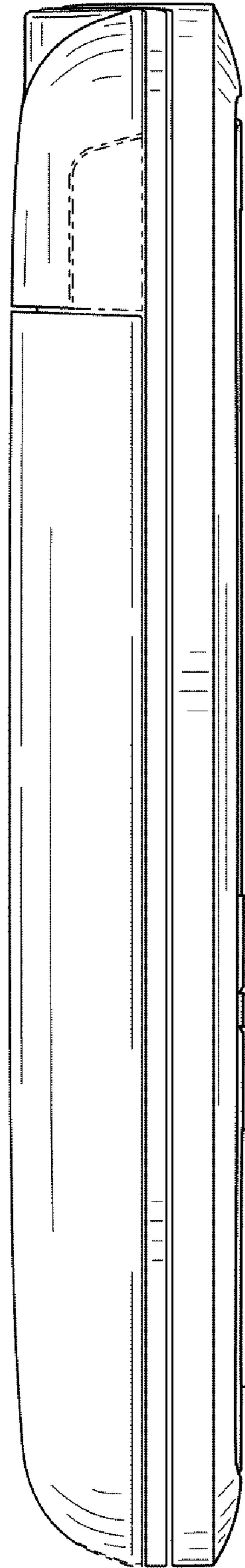


FIG. 4

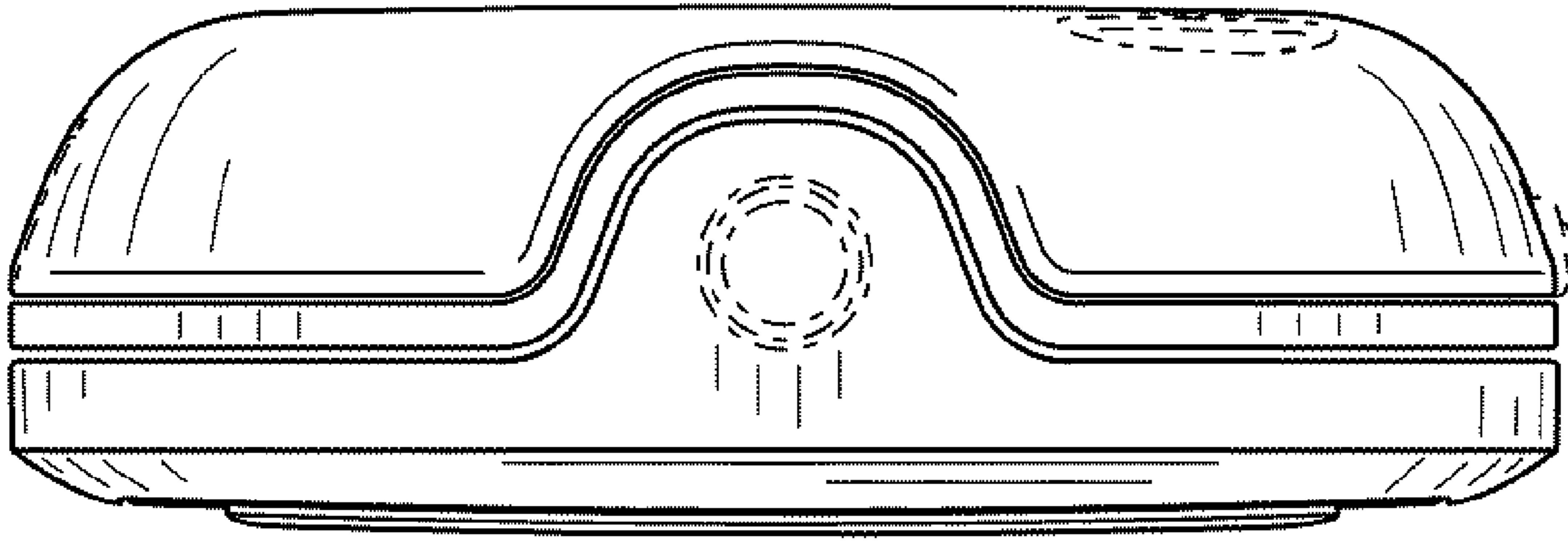


FIG. 5

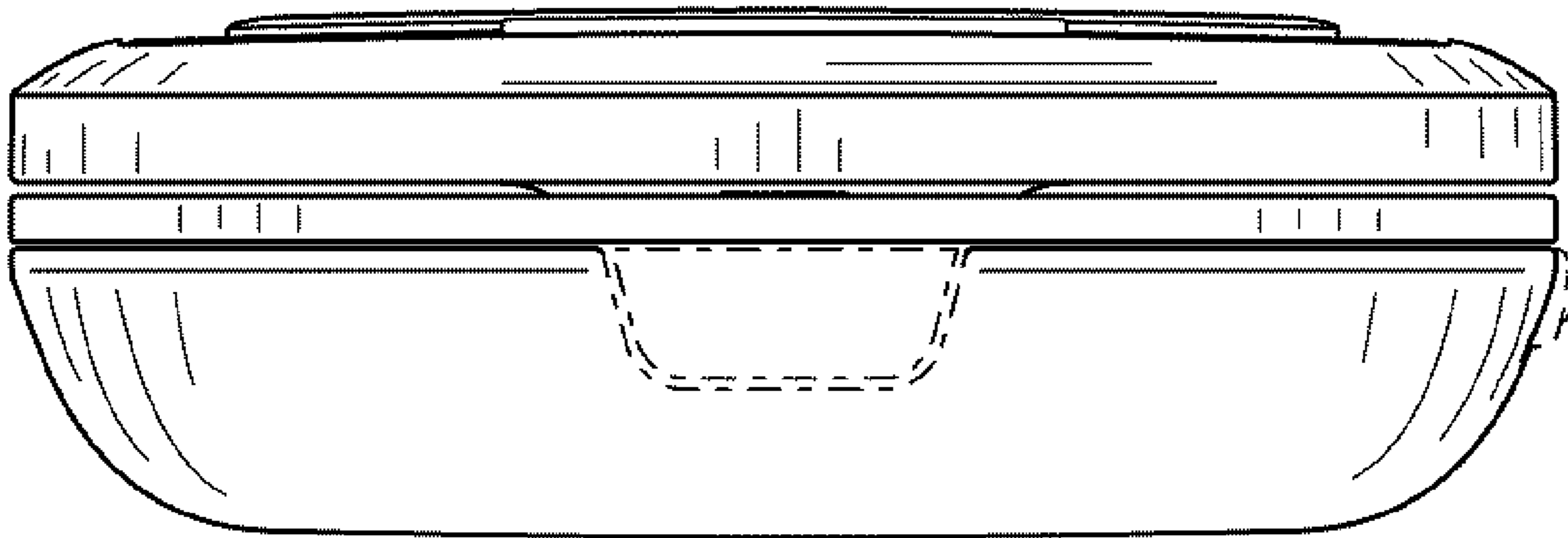


FIG. 6

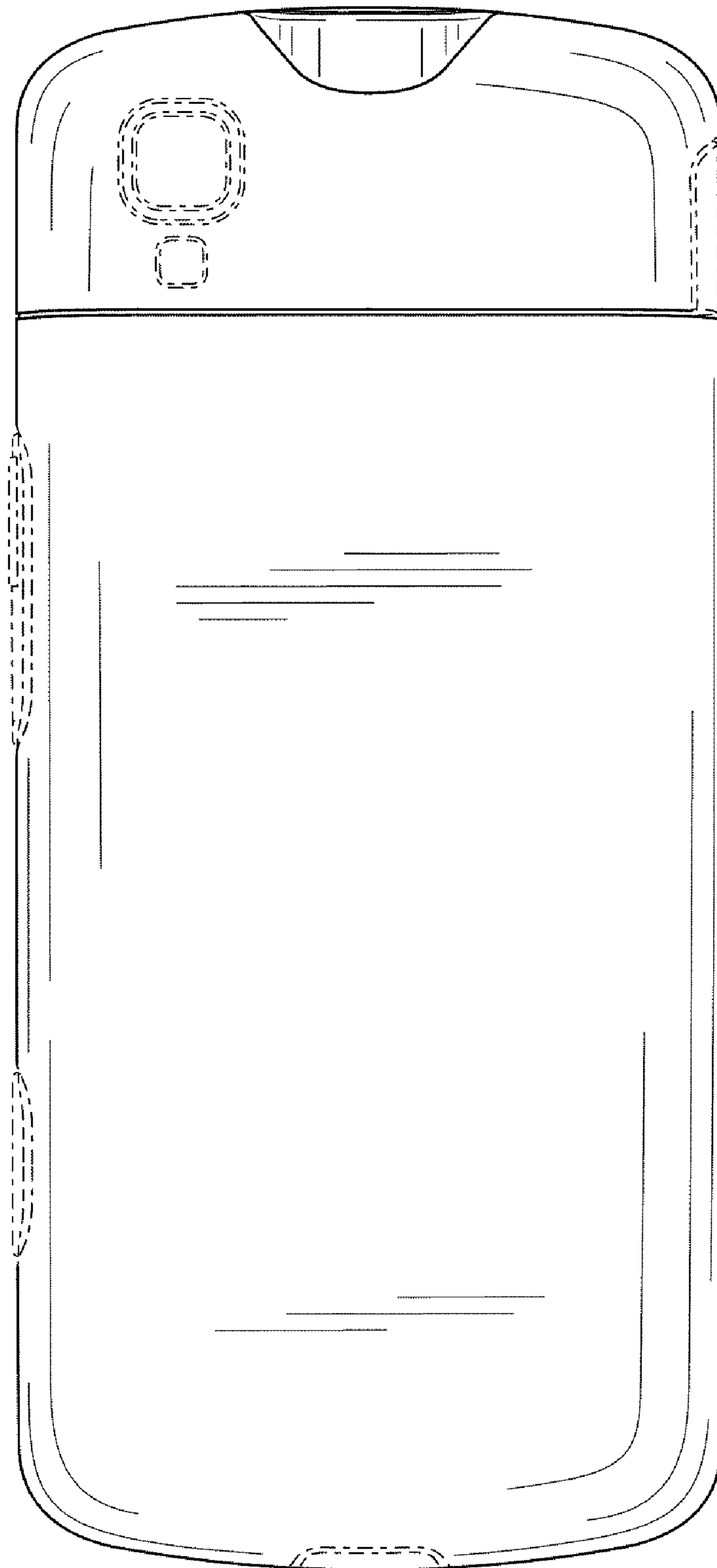


FIG. 7