



US00D619111S

(12) **United States Design Patent**  
**Wu et al.**

(10) **Patent No.:** **US D619,111 S**  
(45) **Date of Patent:** **\*\* Jul. 6, 2010**

(54) **SIDE VIEW TYPE LIGHT EMITTING DIODE**

(75) Inventors: **Chung-Chan Wu**, Taipei (TW);  
**Yu-Fang Peng**, Sindian (TW)

(73) Assignees: **Silitek Electronic (Guangzhou) Co., Ltd.**, Guangzhou (CN); **Lite-On Technology Corporation**, Taipei (TW)

(\*\*) Term: **14 Years**

(21) Appl. No.: **29/352,867**

(22) Filed: **Dec. 29, 2009**

(51) **LOC (9) Cl.** ..... **13-03**

(52) **U.S. Cl.** ..... **D13/180**

(58) **Field of Classification Search** ..... D13/180;  
D26/2; 257/79, 80, 81, 88, 89, 95, 98, 99,  
257/100, E33.058; 313/483, 498, 500; 362/555,  
362/800

See application file for complete search history.

(56) **References Cited**

**U.S. PATENT DOCUMENTS**

D548,704 S \* 8/2007 Wu et al. .... D13/180  
D565,514 S \* 4/2008 Cho ..... D13/180  
7,508,007 B2 \* 3/2009 Tseng et al. .... 257/98  
D593,966 S \* 6/2009 Kim et al. .... D13/180

D609,654 S \* 2/2010 Hsieh ..... D13/180  
2002/0149314 A1 \* 10/2002 Takahashi et al. .... 313/500  
2006/0023451 A1 \* 2/2006 Han et al. .... 362/249  
2010/0019267 A1 \* 1/2010 Park et al. .... 257/98

\* cited by examiner

*Primary Examiner*—Selina Sikder

(74) *Attorney, Agent, or Firm*—Rabin & Berdo, P.C.

(57) **CLAIM**

The ornamental design for a “side view type light emitting diode,” as shown and described.

**DESCRIPTION**

FIG. 1 is a perspective view of a “side view type light emitting diode” showing our new design;

FIG. 2 is a front view thereof;

FIG. 3 is a rear view thereof;

FIG. 4 is a left side view thereof;

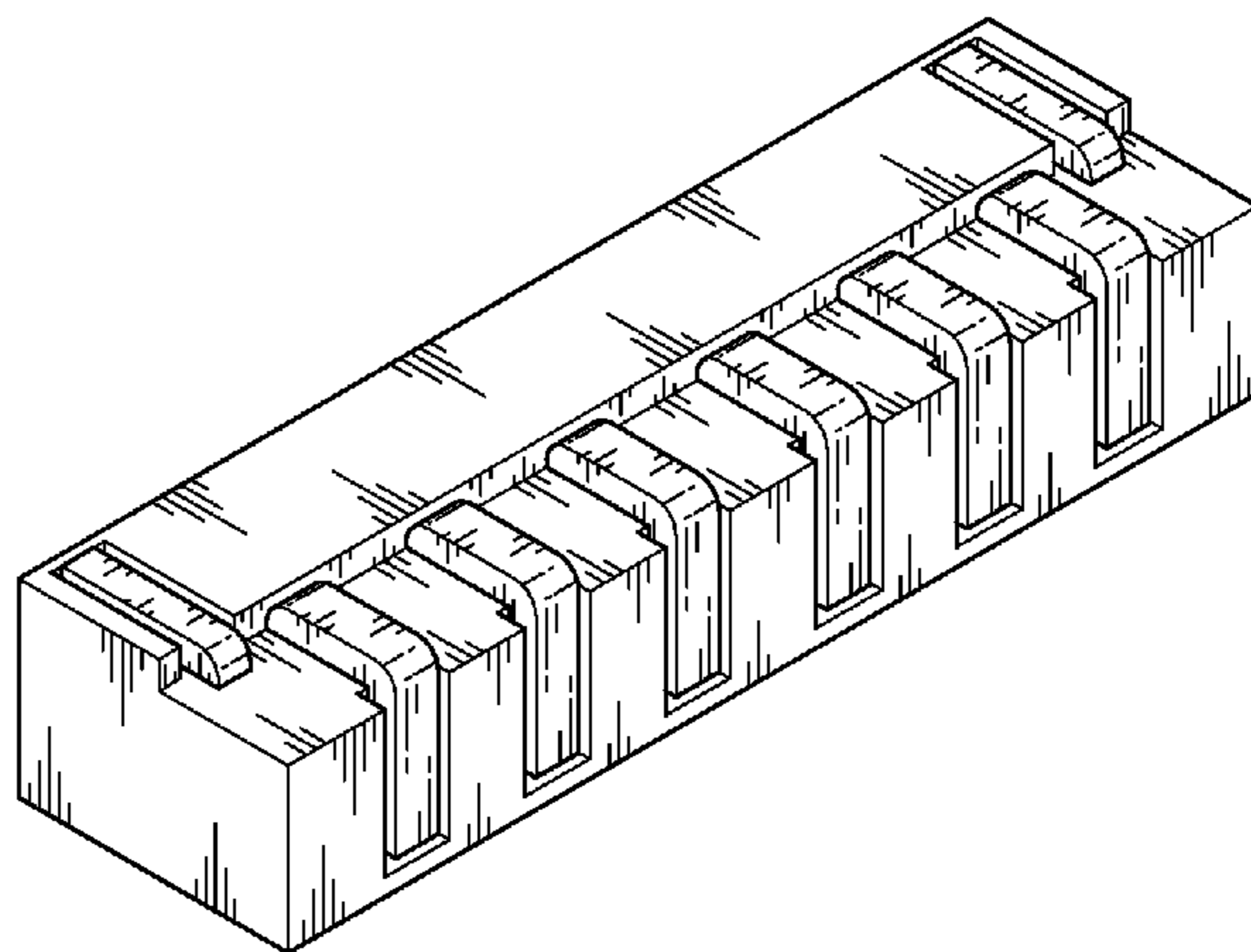
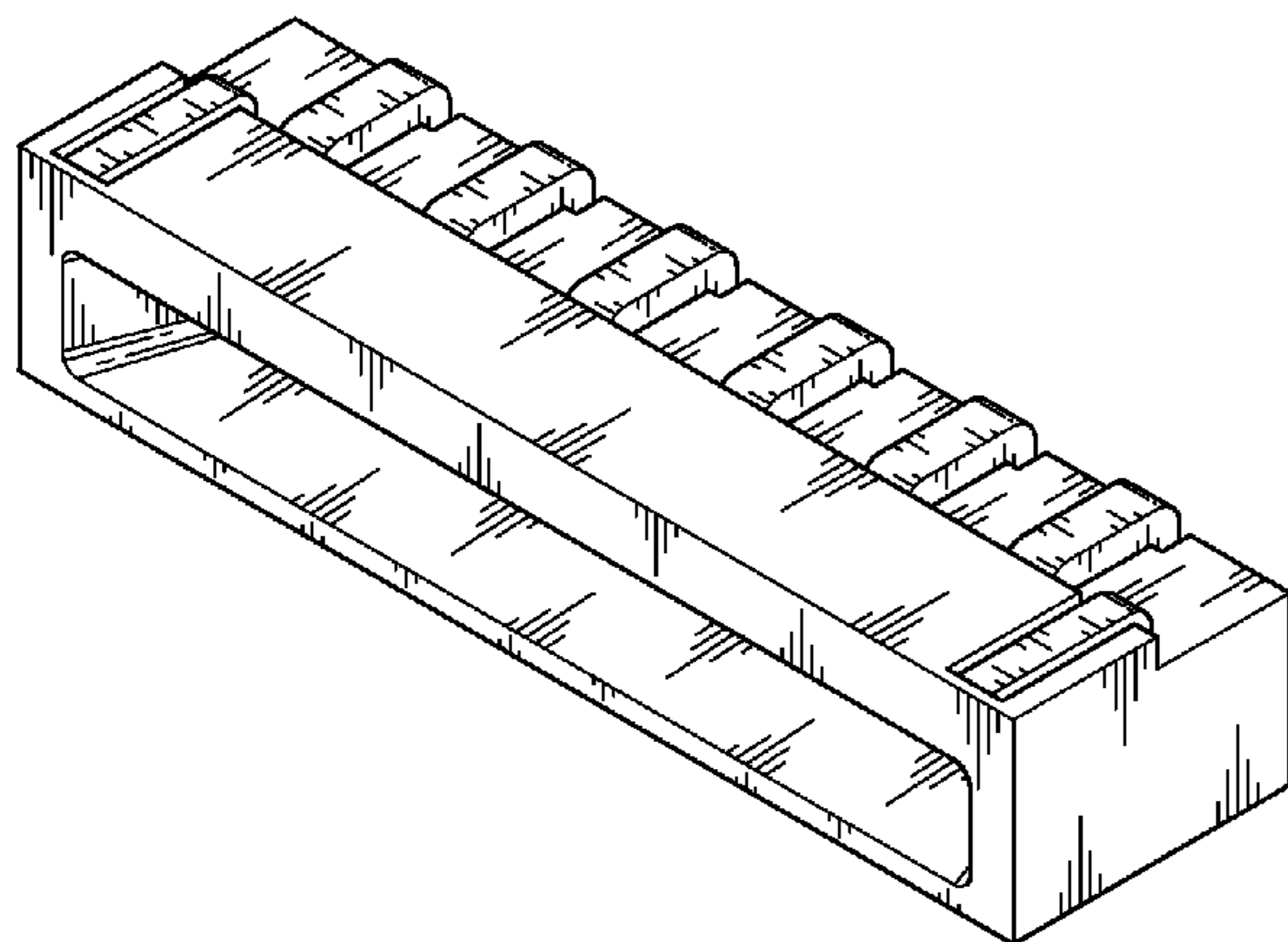
FIG. 5 is a right side view thereof;

FIG. 6 is a top view thereof;

FIG. 7 is a bottom view thereof; and,

FIG. 8 is a perspective view showing the practical usage thereof.

**1 Claim, 5 Drawing Sheets**



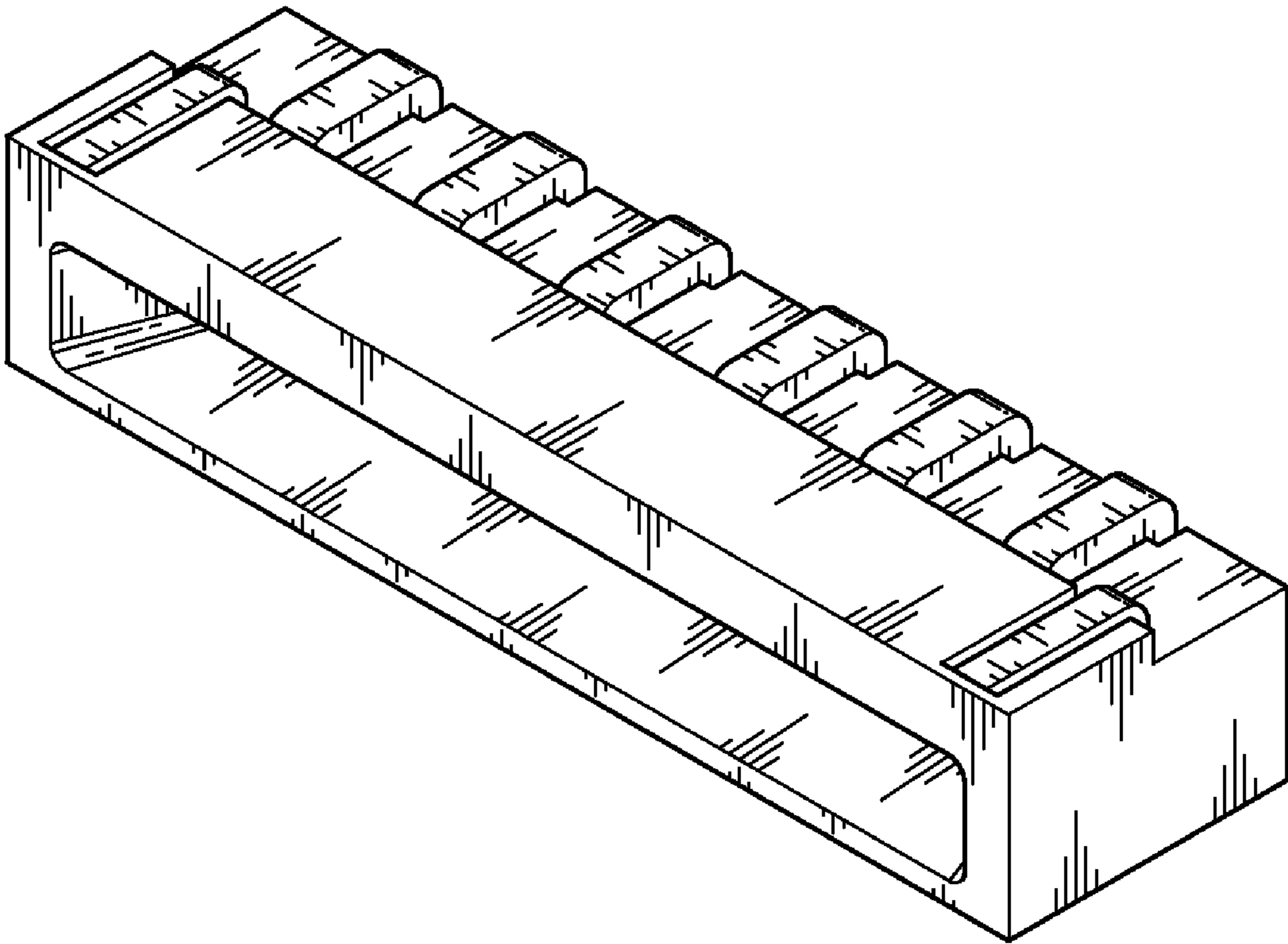


FIG. 1

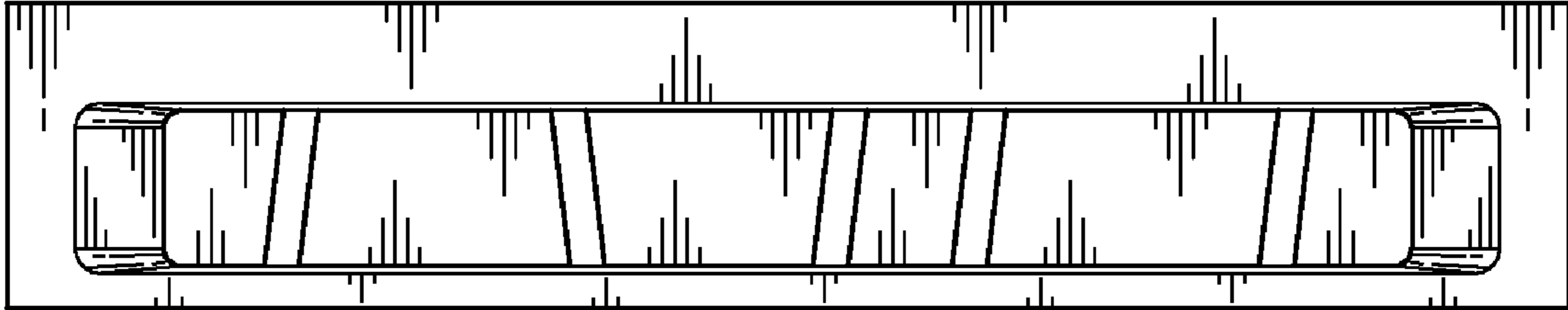


FIG. 2

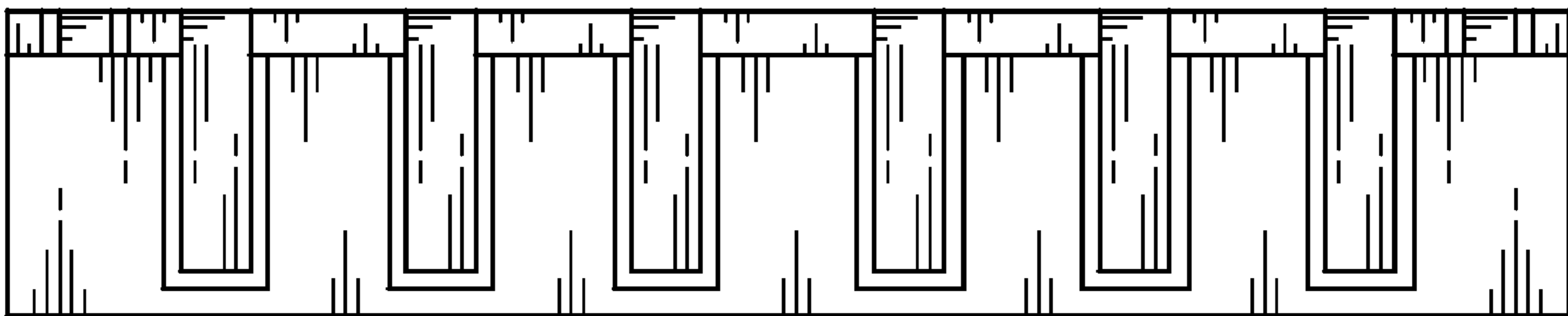


FIG. 3

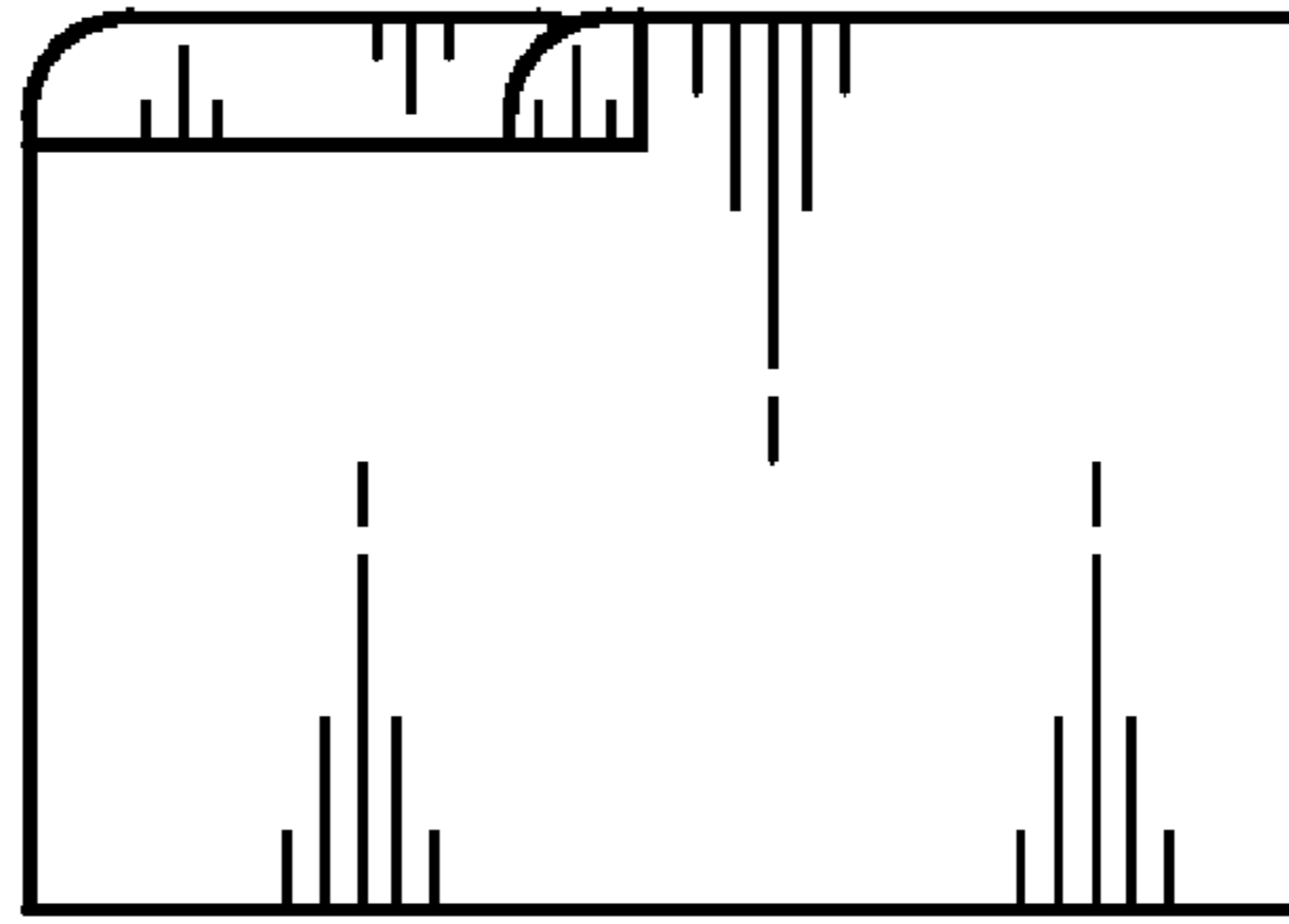


FIG. 4

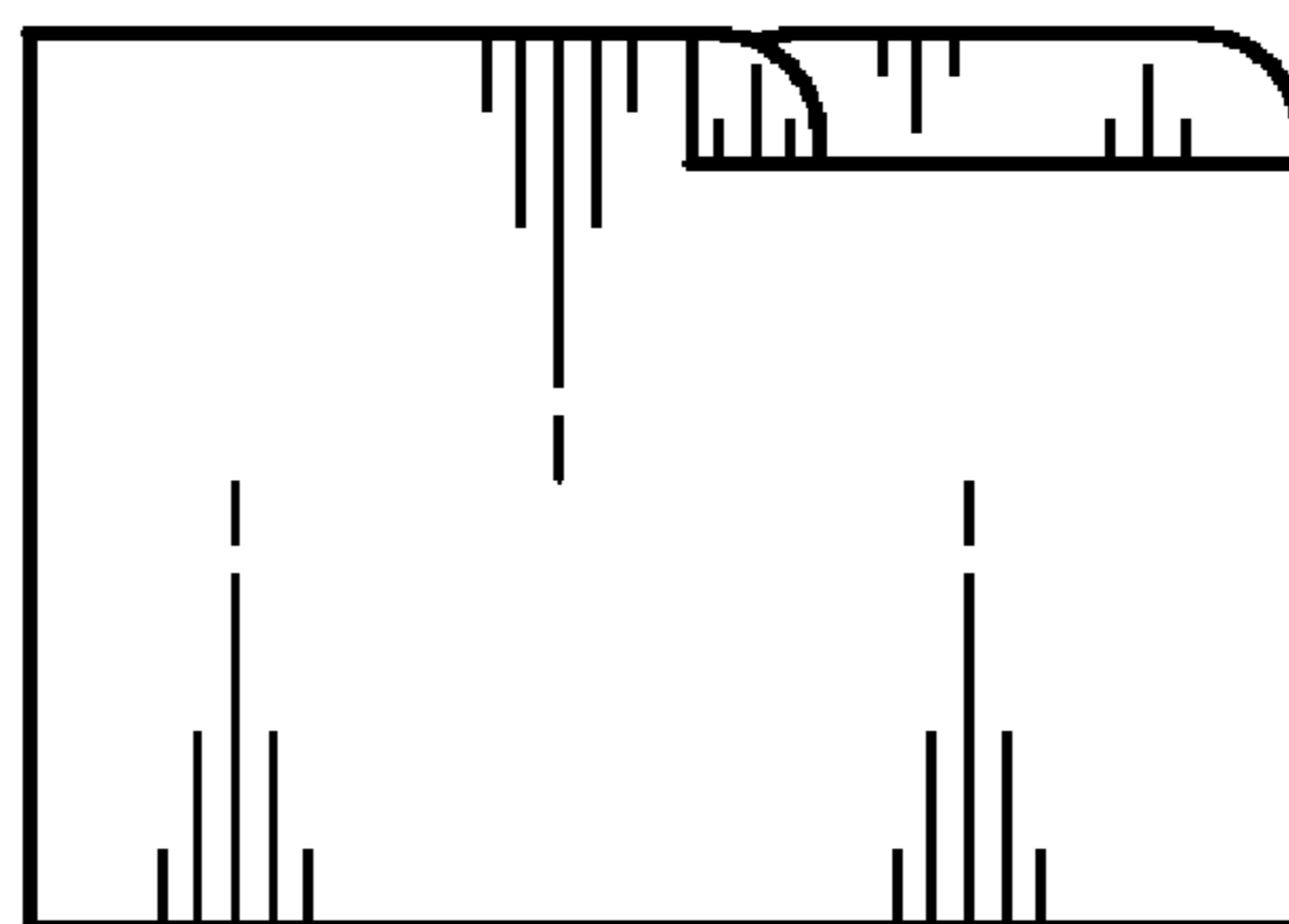


FIG. 5

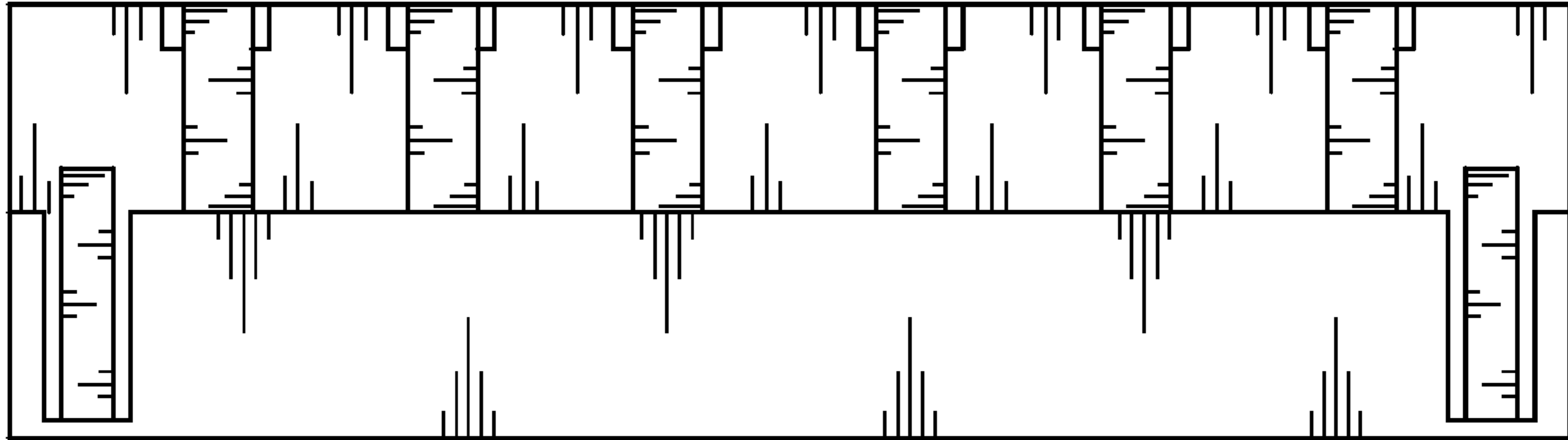


FIG. 6

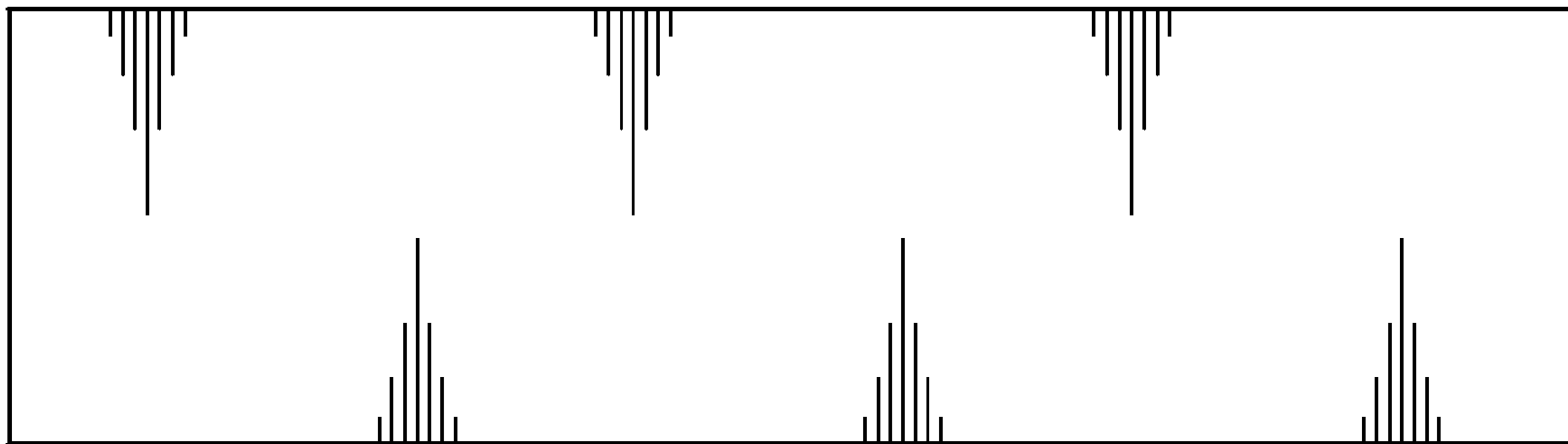


FIG. 7

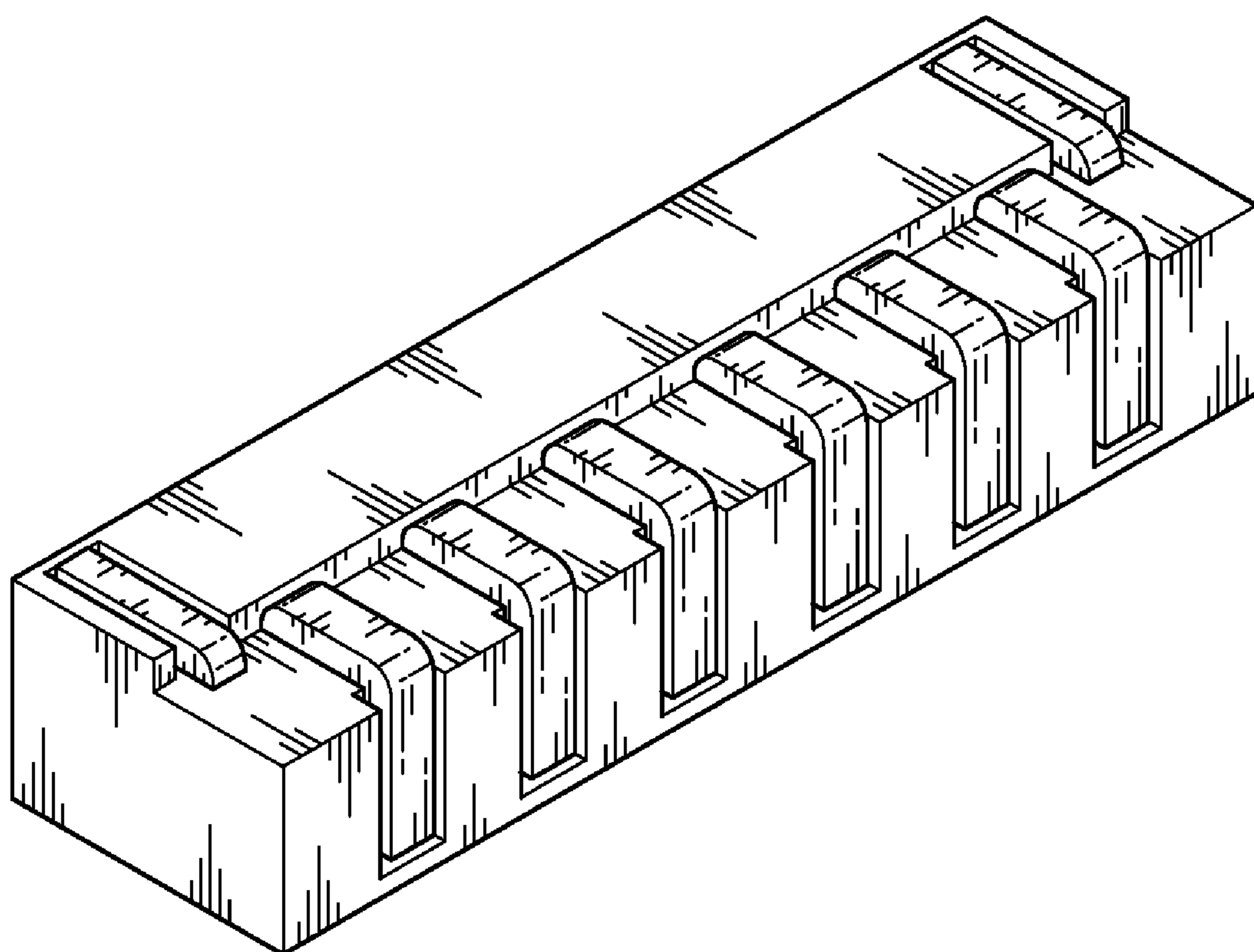


FIG. 8