



US00D619109S

(12) **United States Design Patent**  
**Peifer**

(10) **Patent No.:** **US D619,109 S**

(45) **Date of Patent:** **\*\* \*Jul. 6, 2010**

(54) **LED MODULE**

(75) Inventor: **Donald A. Peifer**, Mountain View, CA (US)

(73) Assignee: **Lunera Lighting, Inc.**, Redwood City, CA (US)

(\*) Notice: This patent is subject to a terminal disclaimer.

(\*\*) Term: **14 Years**

(21) Appl. No.: **29/331,096**

(22) Filed: **Jan. 20, 2009**

**Related U.S. Application Data**

(63) Continuation-in-part of application No. 29/323,905, filed on Sep. 3, 2008.

(51) **LOC (9) Cl.** ..... **13-03**

(52) **U.S. Cl.** ..... **D13/180**

(58) **Field of Classification Search** ..... D13/180;  
D26/2; 257/79, 80, 81, 88, 89, 95, 98, 99,  
257/100; 313/483, 498, 500; 362/555, 800  
See application file for complete search history.

(56) **References Cited**

**U.S. PATENT DOCUMENTS**

5,155,669 A \* 10/1992 Yamuro ..... 362/249.06  
6,188,527 B1 \* 2/2001 Bohn ..... 359/710  
6,371,637 B1 \* 4/2002 Atchinson et al. .... 362/555  
6,932,495 B2 \* 8/2005 Sloan et al. .... 362/294  
7,135,034 B2 \* 11/2006 Friedman et al. .... 607/88

7,152,999 B2 \* 12/2006 Lin ..... 362/249.06  
7,201,511 B2 \* 4/2007 Moriyama et al. .... 362/646  
7,217,012 B2 \* 5/2007 Southard et al. .... 362/391  
7,253,444 B2 \* 8/2007 Ikeda ..... 257/81  
D565,515 S \* 4/2008 Chen ..... D13/180  
2003/0193803 A1 \* 10/2003 Lin ..... 362/250  
2004/0223328 A1 \* 11/2004 Lee et al. .... 362/249  
2005/0157500 A1 \* 7/2005 Chen et al. .... 362/294  
2007/0081342 A1 \* 4/2007 Szeto ..... 362/294  
2007/0247851 A1 \* 10/2007 Villard ..... 362/294

\* cited by examiner

*Primary Examiner*—Selina Sikder

(74) *Attorney, Agent, or Firm*—Heslin Rothenberg Farley & Mesiti P.C.

(57) **CLAIM**

The ornamental design for an LED module, as shown and described.

**DESCRIPTION**

This application is related to commonly owned U.S. application Ser. No. 29/323,891, filed Sep. 3, 2008, and concurrently filed U.S. application Ser. No. 29/331,098.

FIG. 1 is a front perspective view of the LED module of the present design;

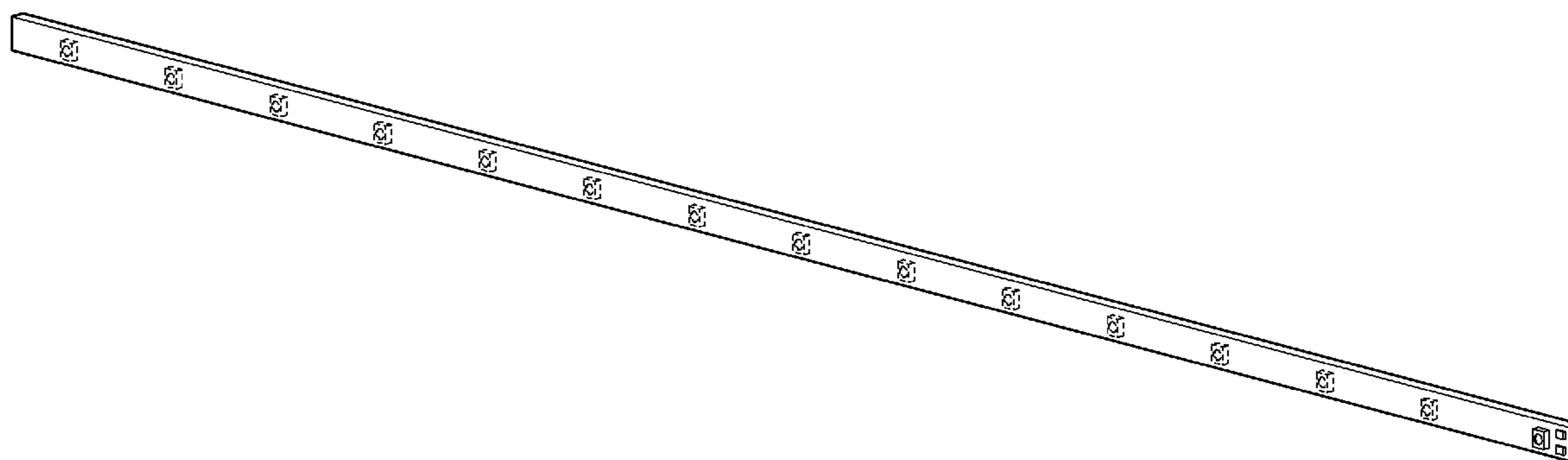
FIG. 2 is a partial enlarged front perspective view thereof;

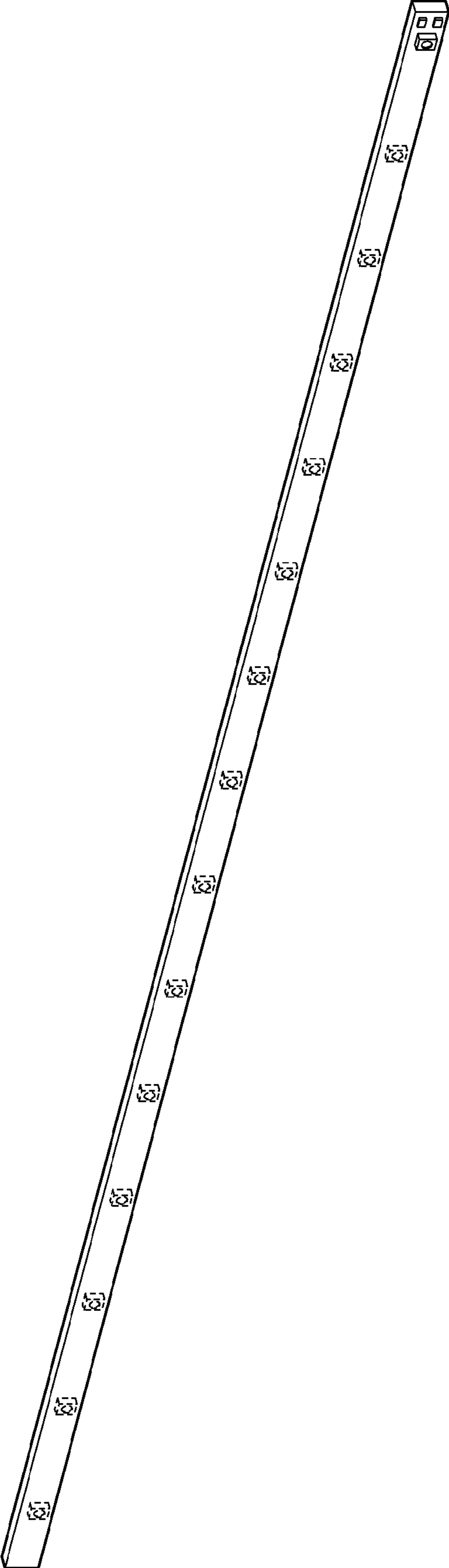
FIG. 3 is a right side elevational view thereof; and,

FIG. 4 is a top plan view thereof.

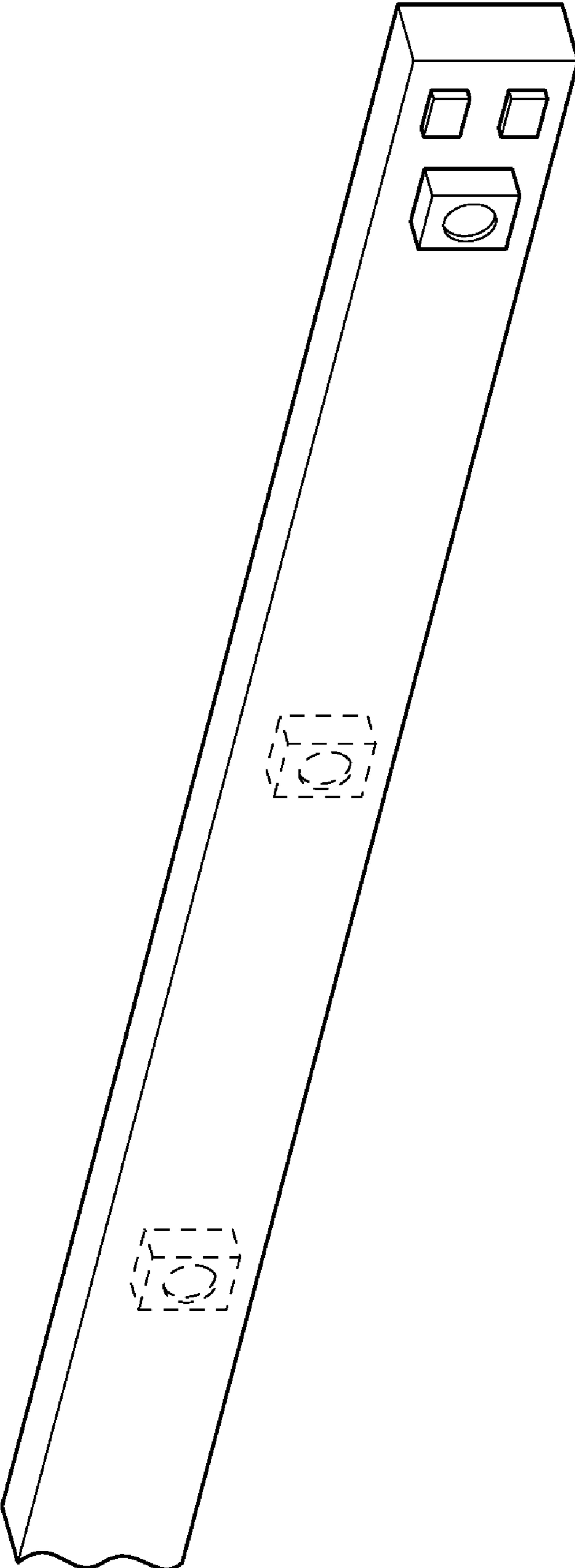
The broken line depiction is for illustrative purposes only and forms no part of the claimed invention.

**1 Claim, 4 Drawing Sheets**

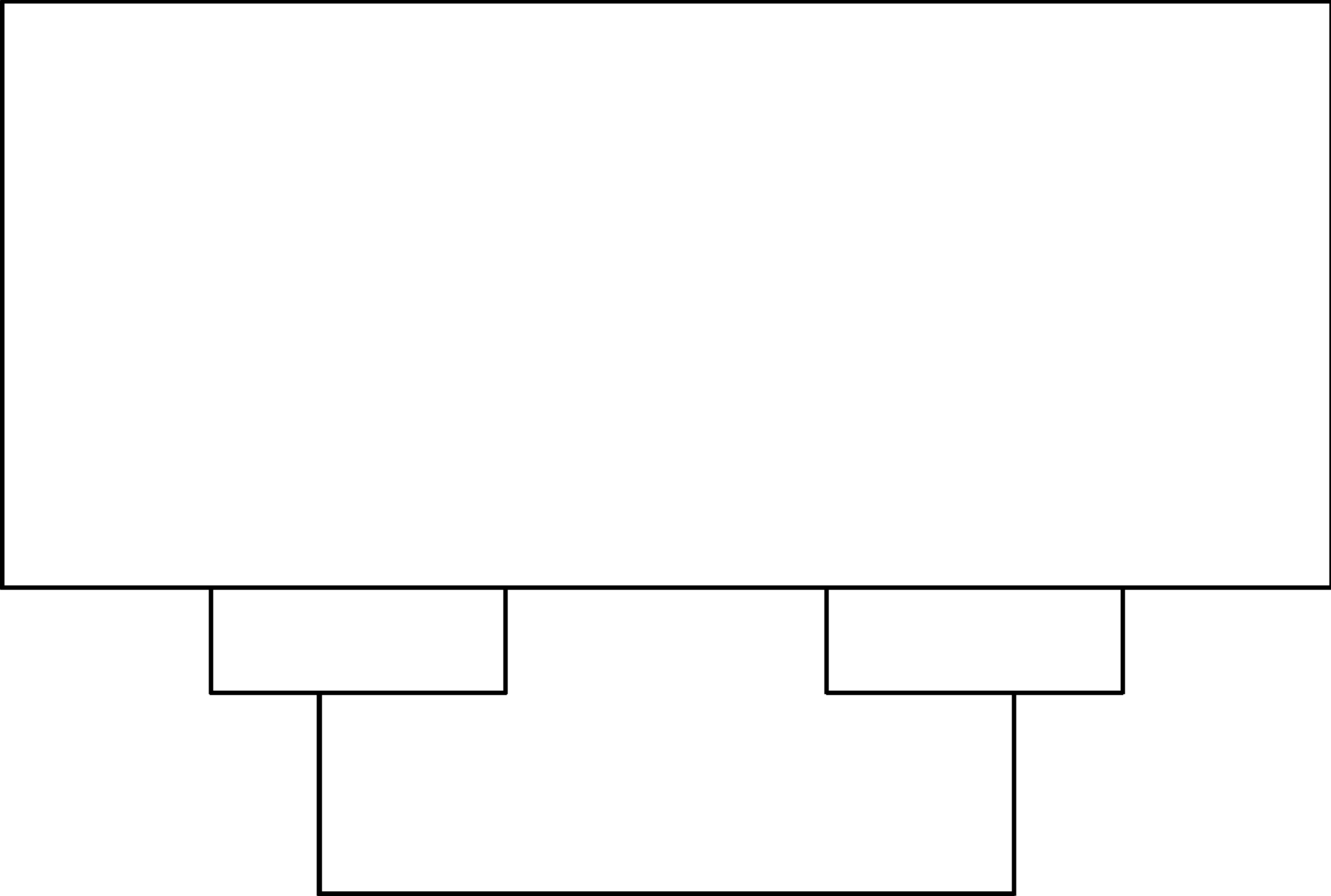




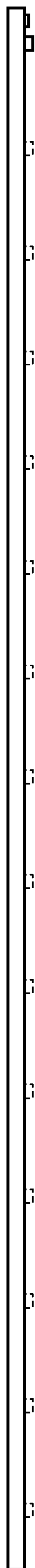
**FIG. 1**



**FIG. 2**



**FIG. 3**



**FIG. 4**