



US00D619108S

(12) **United States Design Patent**  
**Lin**

(10) **Patent No.:** **US D619,108 S**  
(45) **Date of Patent:** **\*\* Jul. 6, 2010**

(54) **CONTROL PANEL**

D424,526 S \* 5/2000 Yang ..... D13/177

(75) Inventor: **Mu-Chun Lin**, Taichung (TW)

\* cited by examiner

(73) Assignee: **Chyng Hong Electronic Co.**, Taichung (TW)

*Primary Examiner*—Daniel D. Bui

*Assistant Examiner*—Thomas J Johannes

(74) *Attorney, Agent, or Firm*—Ming Chow; Sinorica, LLC

(\*\*) Term: **14 Years**

(57) **CLAIM**

(21) Appl. No.: **29/343,191**

I claim the ornamental design for a control panel, as shown and described.

(22) Filed: **Sep. 9, 2009**

**DESCRIPTION**

(51) **LOC (9) Cl.** ..... **13-03**

(52) **U.S. Cl.** ..... **D13/177**

(58) **Field of Classification Search** ..... D13/162,  
D13/164, 173, 177, 184, 199; 174/66, 77,  
174/58; 200/339; D8/353; 220/241  
See application file for complete search history.

FIG. 1 is a front perspective view of a control panel showing my new design;

FIG. 2 is a front elevational view thereof;

FIG. 3 is a rear elevational view thereof;

FIG. 4 is a left side elevational view thereof;

FIG. 5 is a right side elevational view thereof;

FIG. 6 is a top plan view thereof;

FIG. 7 is a bottom plan view thereof; and,

FIG. 8 is a front end view of the control panel in accordance with my design, shown in its environment thereof.

The broken lines in the views show environmental features, which are for environmental purposes only and form no part of the claimed design.

(56) **References Cited**

**U.S. PATENT DOCUMENTS**

D212,328 S \* 10/1968 Pogue ..... D13/164

D337,754 S \* 7/1993 Peterson et al. .... D13/164

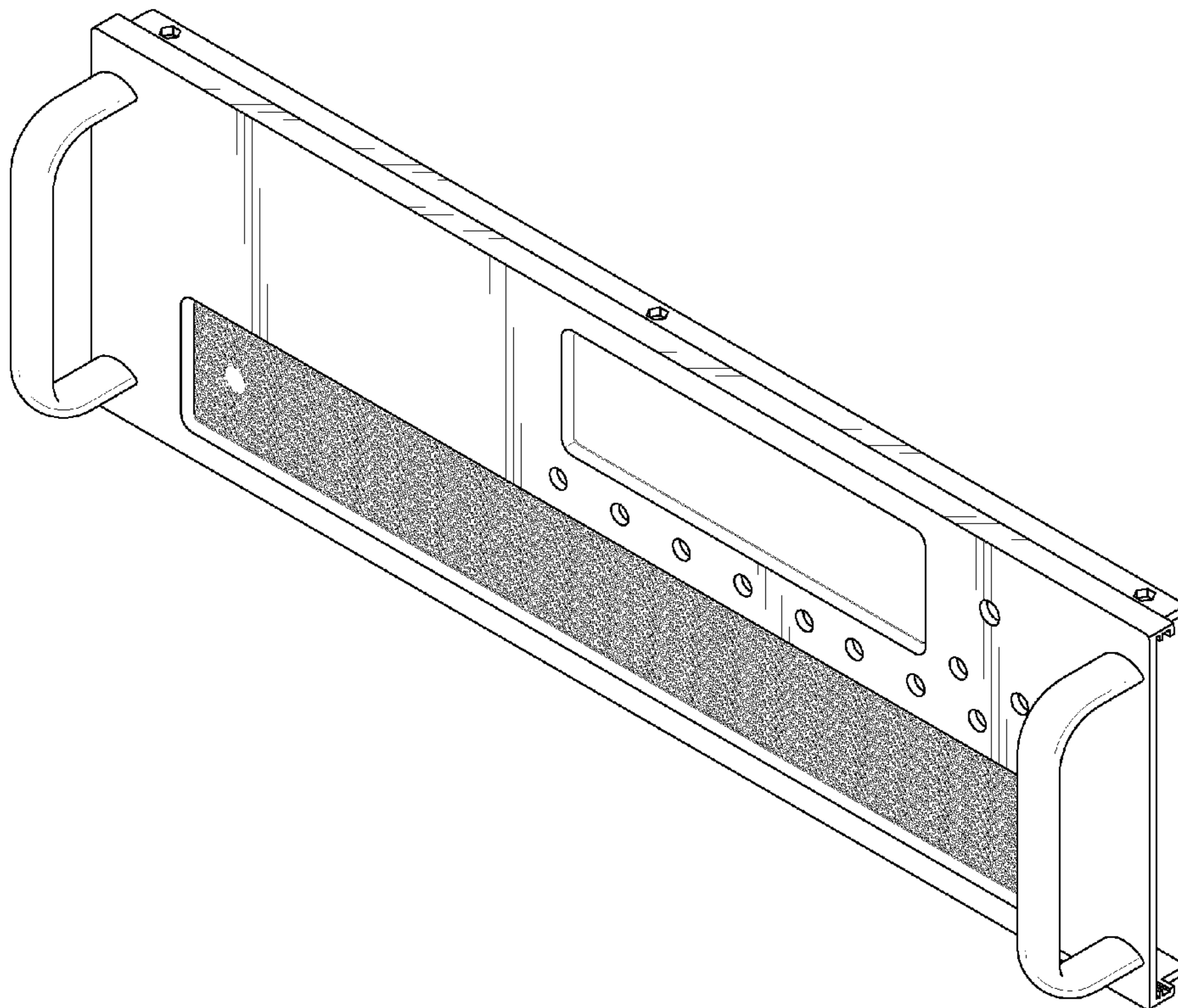
D349,503 S \* 8/1994 Roy ..... D14/140.4

D357,461 S \* 4/1995 Zaplatynsky et al. .... D13/177

D382,880 S \* 8/1997 Cienkus et al. .... D14/240

D395,654 S \* 6/1998 Mackie et al. .... D14/188

**1 Claim, 6 Drawing Sheets**



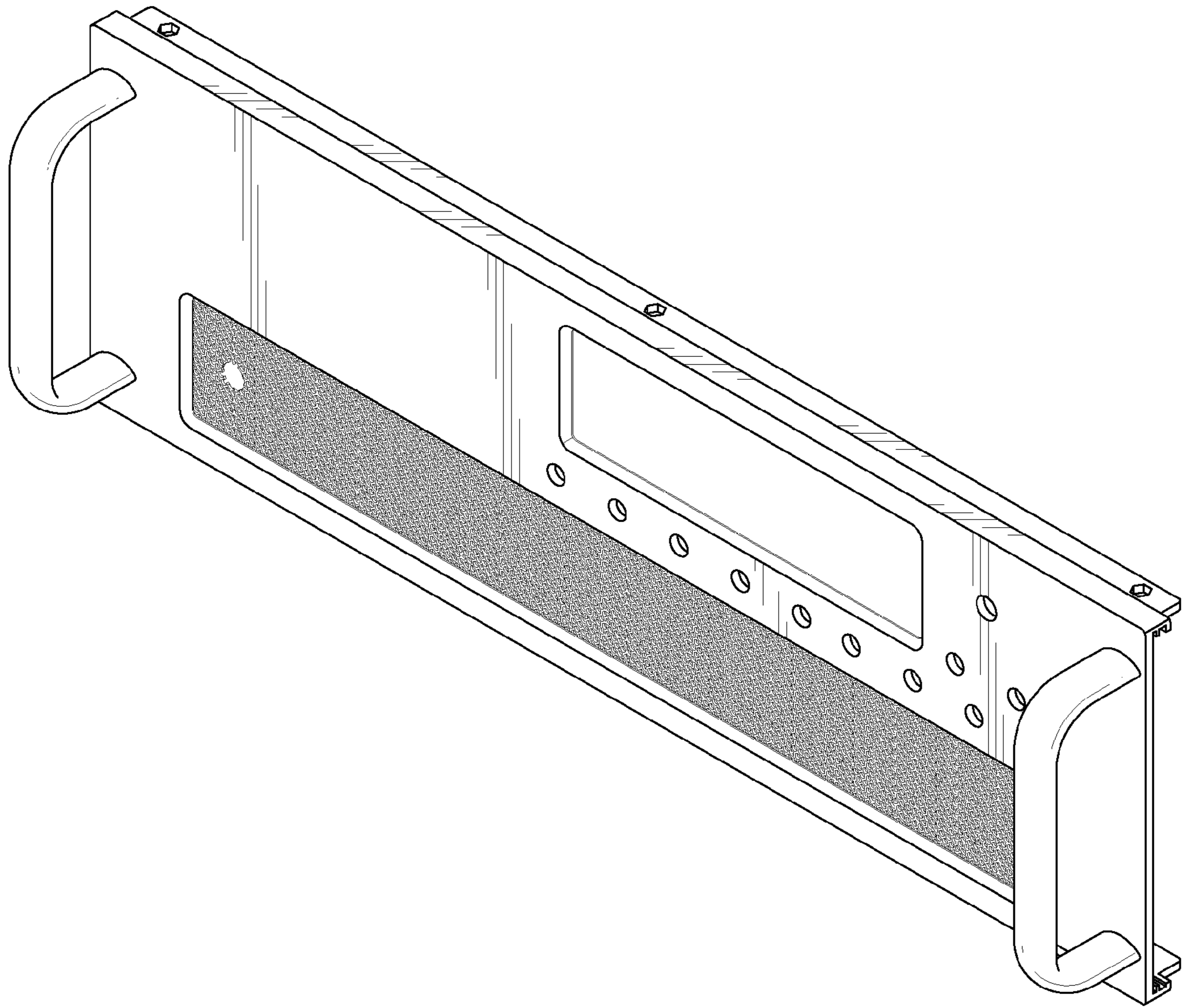


FIG. 1

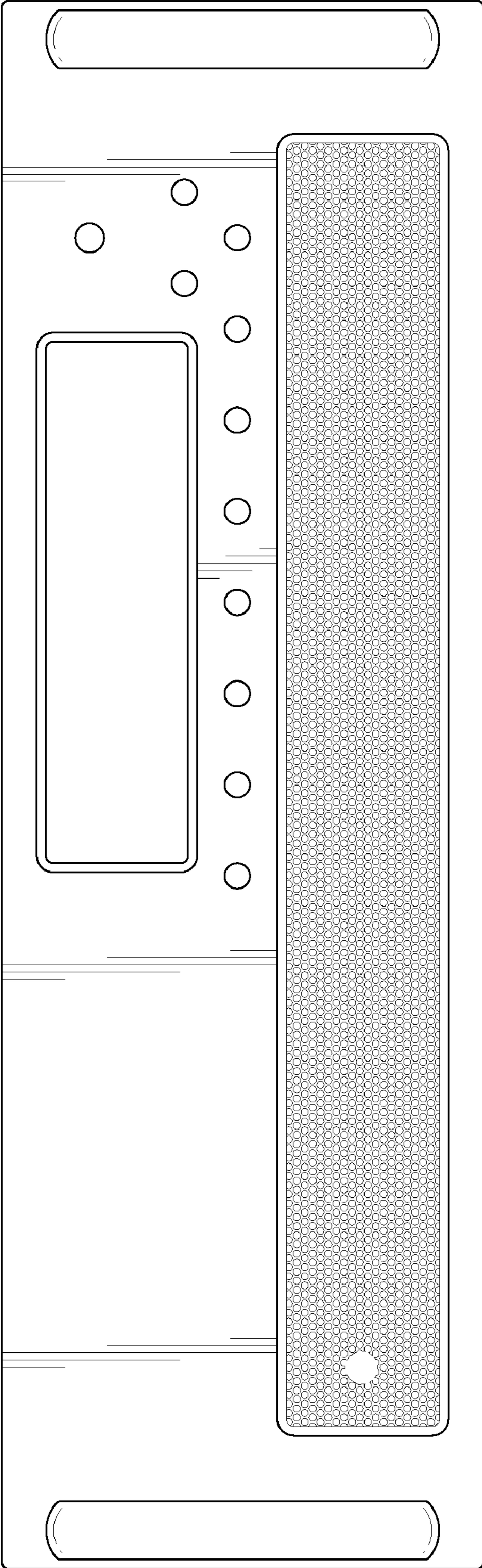


FIG. 2

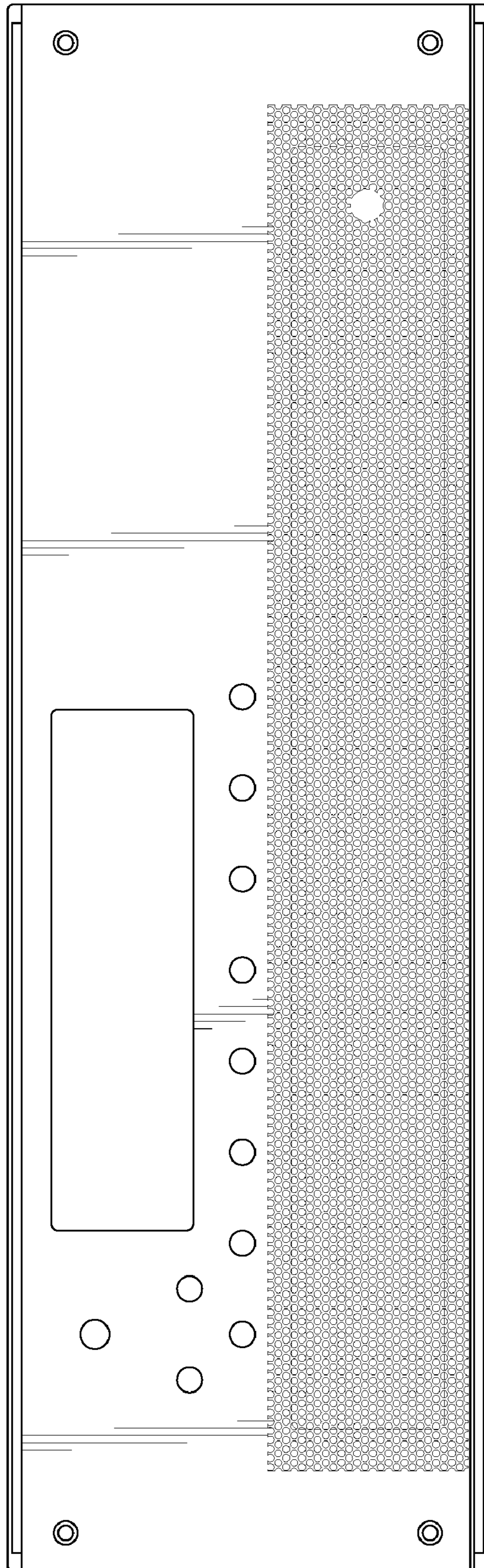


FIG. 3

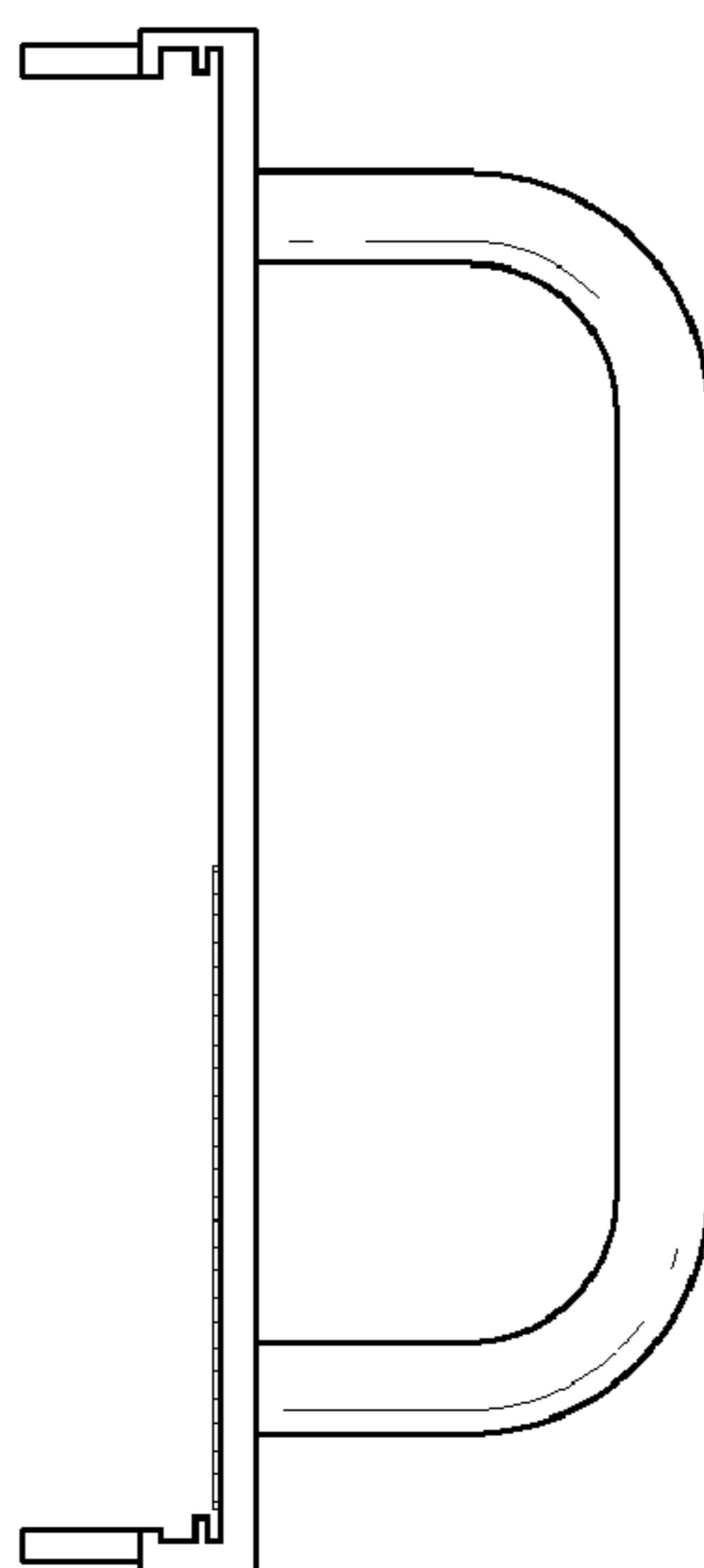


FIG. 4

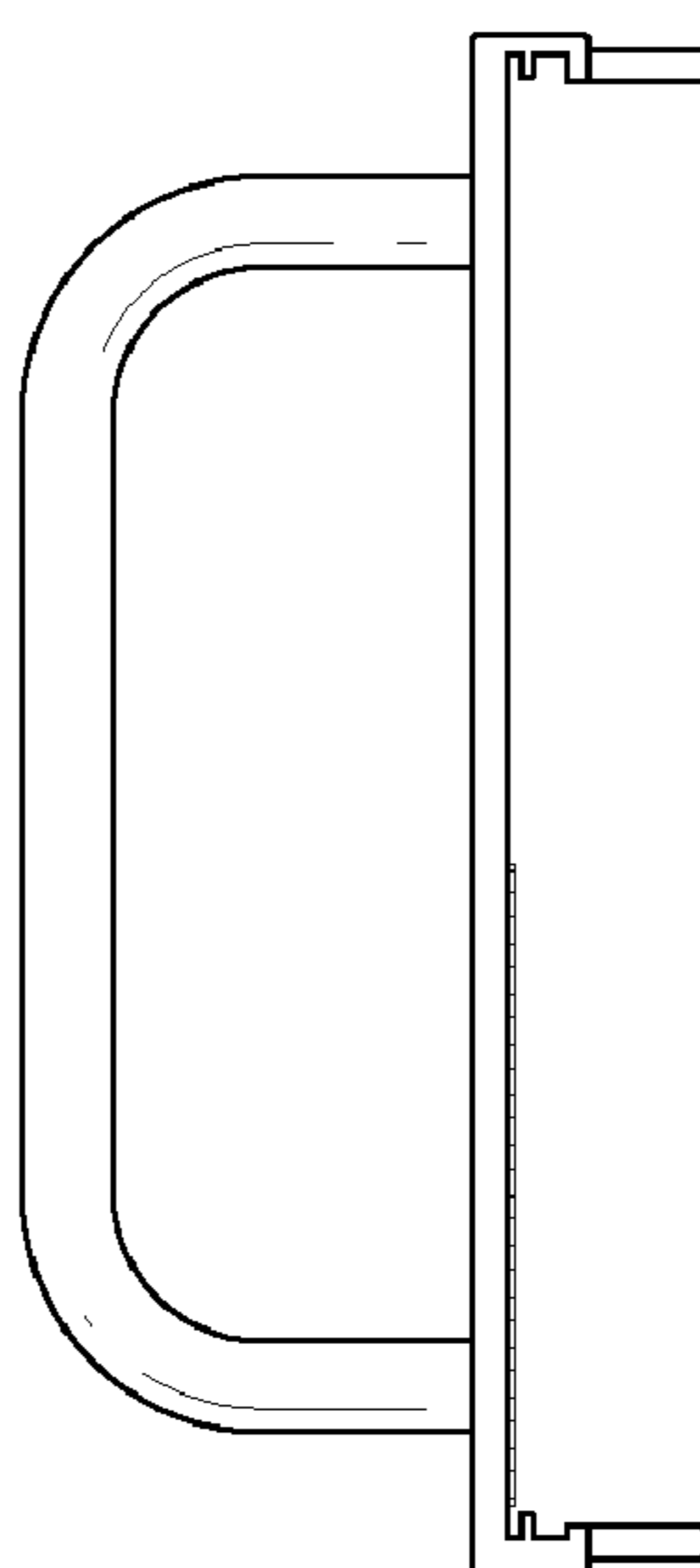


FIG. 5

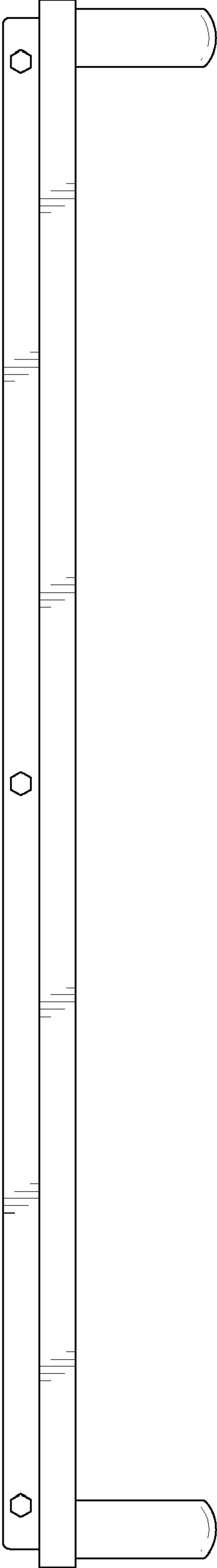


FIG. 6

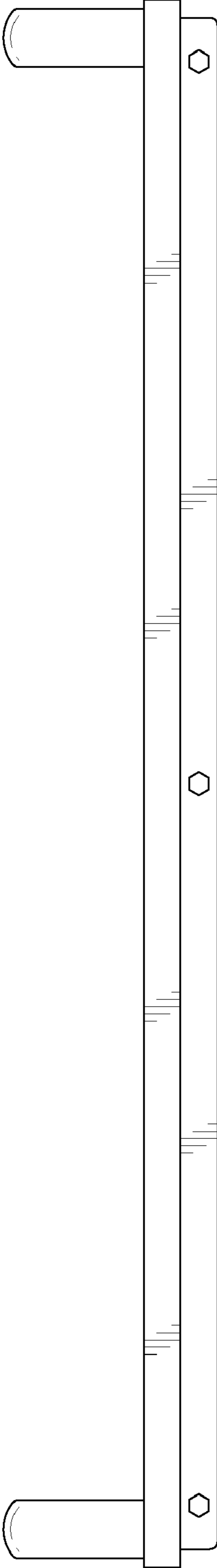


FIG. 7

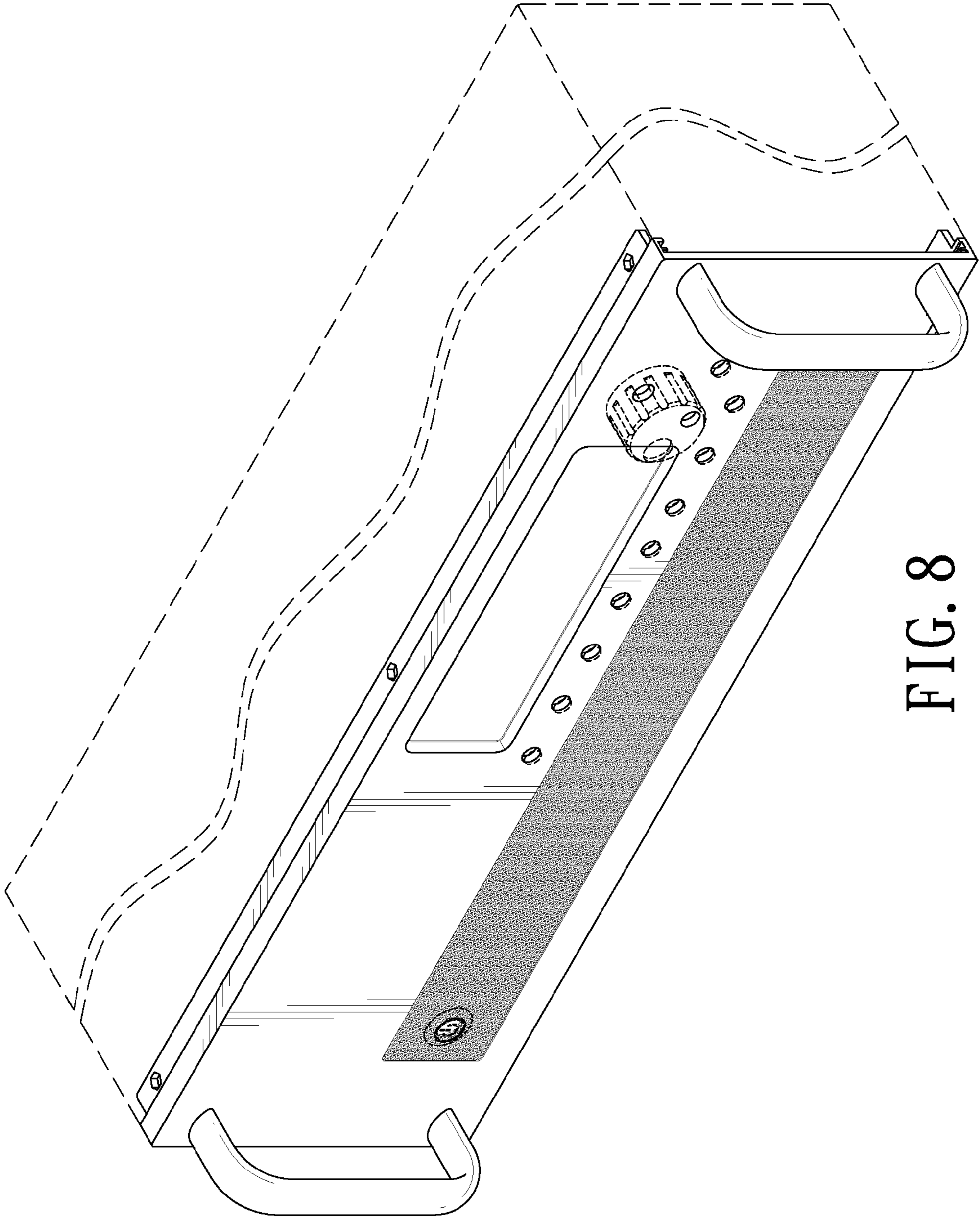


FIG. 8