



US00D619100S

(12) **United States Design Patent**
Larson et al.

(10) **Patent No.:** **US D619,100 S**
(45) **Date of Patent:** **** Jul. 6, 2010**

(54) **LATCH FOR AN OPTICAL FIBER CONNECTOR**

(75) Inventors: **Donald K. Larson**, Cedar Park, TX (US); **Wesley A. Raider**, Hudson, WI (US)

(73) Assignee: **3M Innovative Properties Company**, St. Paul, MN (US)

(**) Term: **14 Years**

(21) Appl. No.: **29/345,705**

(22) Filed: **Oct. 21, 2009**

(51) **LOC (9) Cl.** **13-03**

(52) **U.S. Cl.** **D13/154**

(58) **Field of Classification Search** D13/133,
D13/147, 154, 184; 385/55-56, 59-60, 70,
385/75-78

See application file for complete search history.

(56) **References Cited**

U.S. PATENT DOCUMENTS

4,824,197	A	4/1989	Patterson	
5,102,212	A	4/1992	Patterson	
5,138,681	A	8/1992	Larson et al.	
5,155,787	A	10/1992	Carpenter et al.	
5,159,653	A	10/1992	Carpenter et al.	
5,461,690	A	10/1995	Lampert	
5,481,634	A	1/1996	Anderson et al.	
5,579,425	A	11/1996	Lampert et al.	
5,638,474	A	6/1997	Lampert et al.	
5,647,043	A	7/1997	Anderson et al.	
5,719,977	A	2/1998	Lampert et al.	
D434,376	S *	11/2000	Connelly	D13/133
6,206,581	B1	3/2001	Driscoll et al.	
D446,501	S *	8/2001	Donnell et al.	D13/133
6,287,018	B1	9/2001	Andrews et al.	
6,357,934	B1	3/2002	Driscoll et al.	
6,364,685	B1 *	4/2002	Manning	439/357
D466,479	S *	12/2002	Pein et al.	D13/147
6,565,262	B2 *	5/2003	Childers et al.	385/76
D481,680	S *	11/2003	Cheng et al.	D13/133

6,816,661	B1	11/2004	Barnes et al.	
6,821,024	B2 *	11/2004	Bates, III	385/76
D523,396	S *	6/2006	Shiraishi et al.	D13/133
D528,505	S *	9/2006	Caveney et al.	D13/133
7,104,702	B2	9/2006	Barnes et al.	
7,147,384	B2	12/2006	Hardcastle et al.	
7,189,008	B2 *	3/2007	Dye	385/78
2001/0043777	A1	11/2001	Lu	

(Continued)

FOREIGN PATENT DOCUMENTS

JP 3445479 6/2003

(Continued)

OTHER PUBLICATIONS

U.S. Appl. No. 61/171908, filed Apr. 23, 2009, entitled "Collar Body for Field Terminable Optical Connector".

(Continued)

Primary Examiner—Daniel D Bui
(74) *Attorney, Agent, or Firm*—Gregg H. Rosenblatt

(57) **CLAIM**

The ornamental design for a latch for an optical fiber connector, as shown and described.

DESCRIPTION

FIG. 1 is a right side isometric view of a latch for an optical fiber connector, showing our new design;

FIG. 2 is a top view thereof;

FIG. 3 is a right side view thereof;

FIG. 4 is a bottom view thereof;

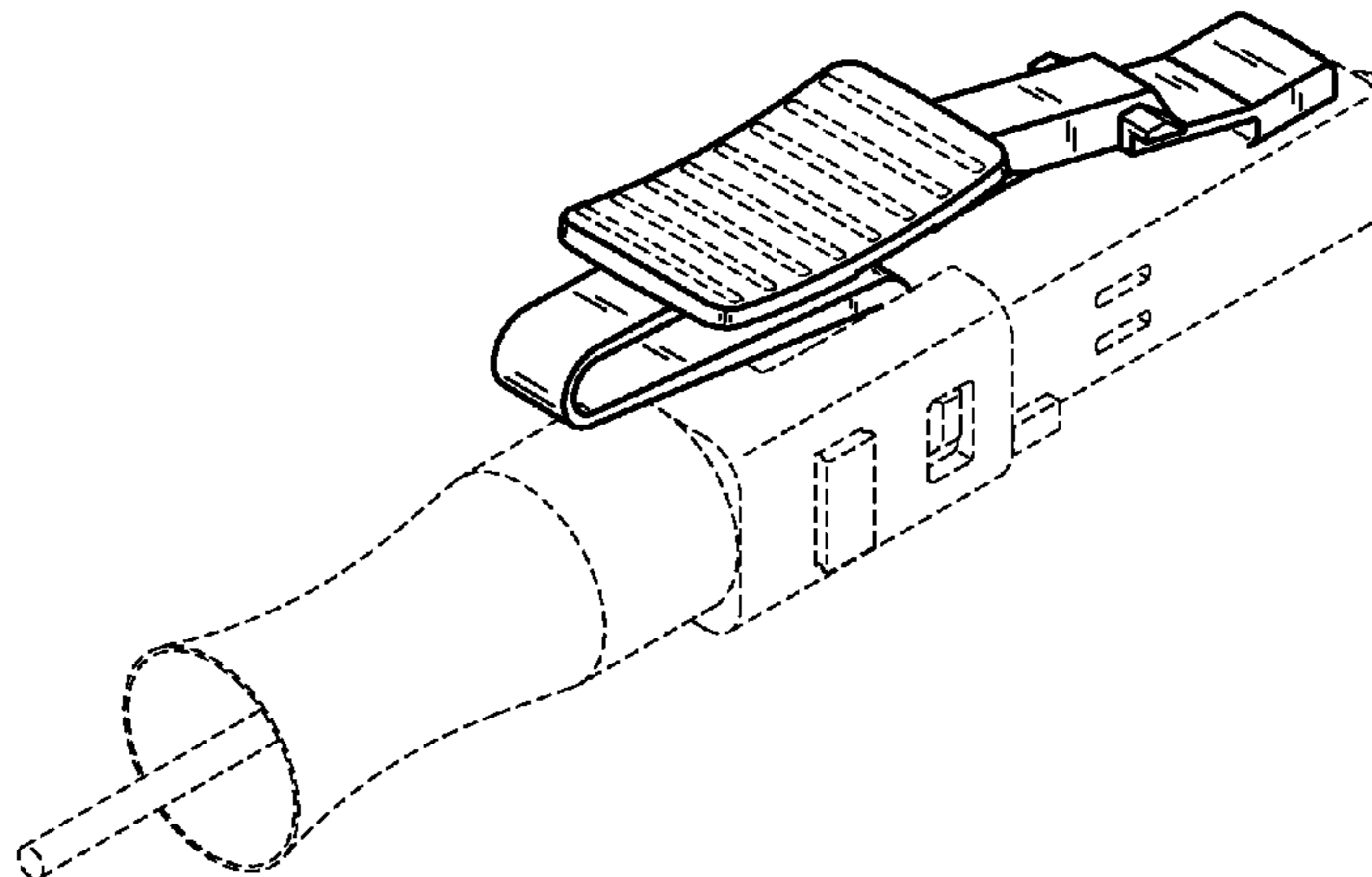
FIG. 5 is a left side view thereof;

FIG. 6 is a rear view thereof; and,

FIG. 7 is a front view thereof.

The broken lines show environmental structure and are for illustrative purposes only. The broken lines form no part of the claimed design.

1 Claim, 2 Drawing Sheets



U.S. PATENT DOCUMENTS

2003/0063865 A1* 4/2003 Holmquist 385/75
2005/0238292 A1 10/2005 Barnes et al.
2007/0104425 A1 5/2007 Larson et al.
2007/0133926 A1 6/2007 Semmler et al.

FOREIGN PATENT DOCUMENTS

WO WO 2006/019515 A1 2/2006
WO WO 2006/019516 A1 2/2006

OTHER PUBLICATIONS

Product Brochure, "LC System Solution"; Panduit Corporation, Tinley Park, IL (Jun. 2004).
Product Specification, "Fast Connectors"; Optical Connectivity, AFL Telecommunications (Revision 3, Aug. 2006).

Product Brochure, "Unicam® Single-Mode APC Connectors (LC and SC Connectors)"; Corning Cable Systems LLC, Hickory, NC (Apr. 2007).

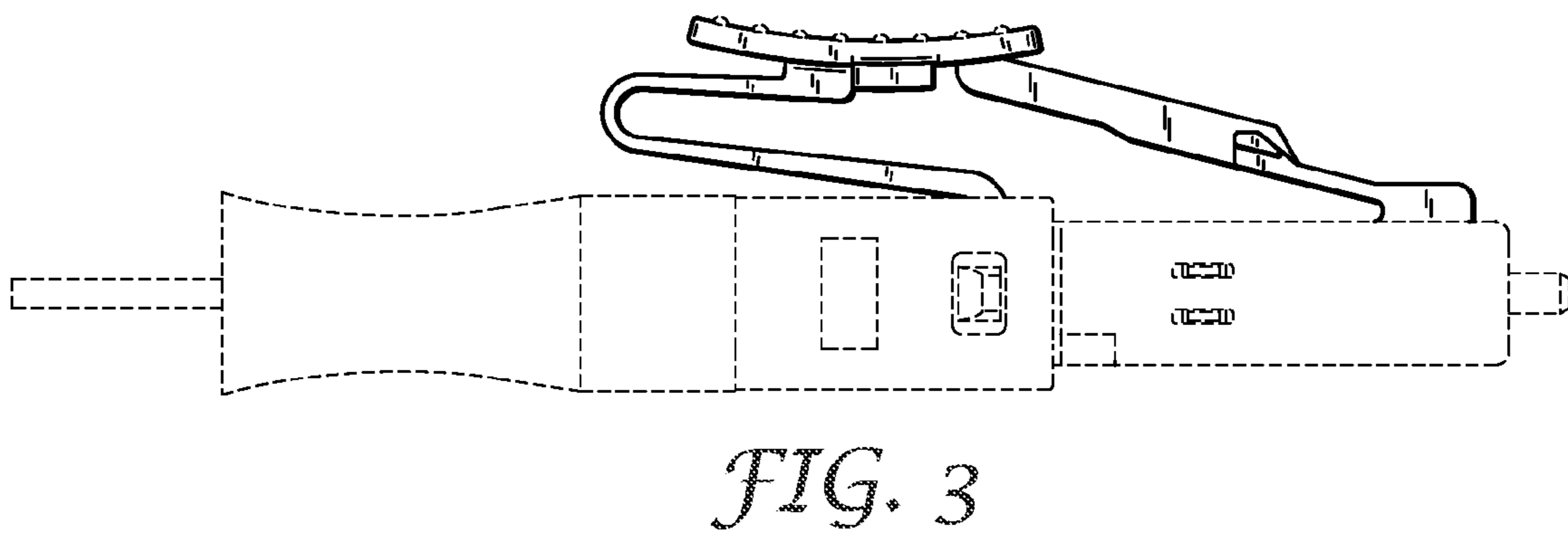
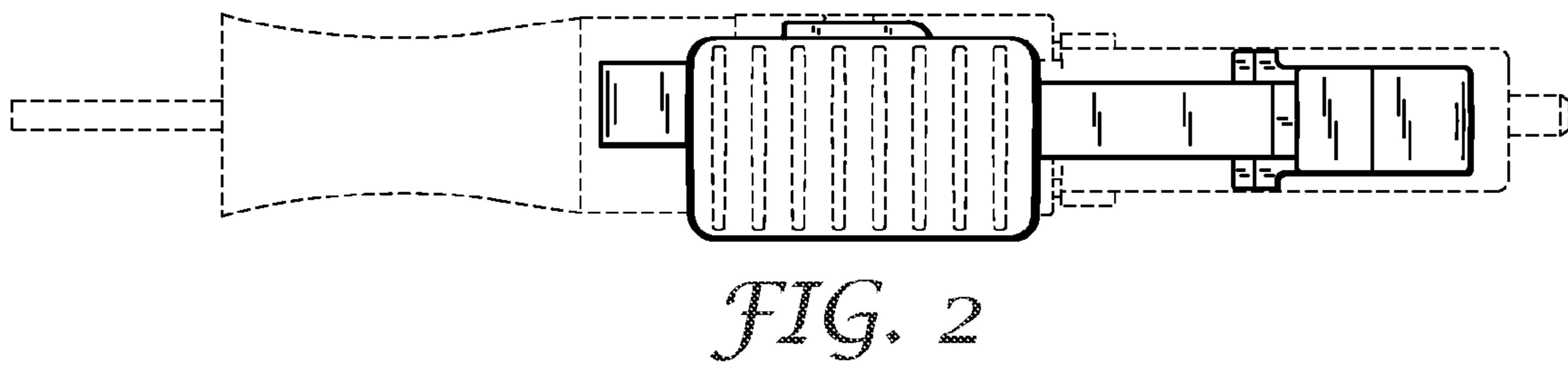
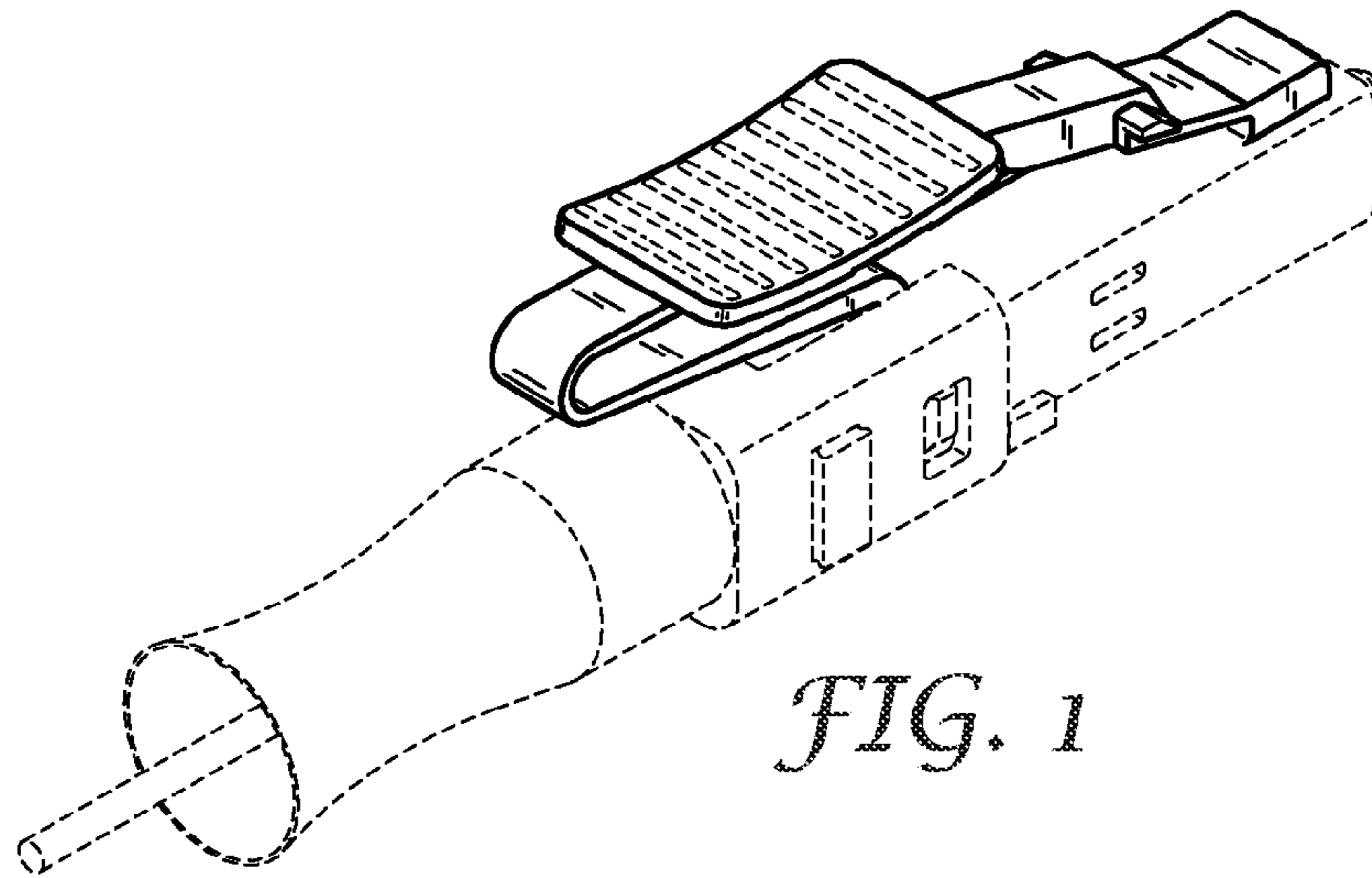
Product Brochure, "Unicam® Pretium®-Performance Single-Mode Connectors LC, SC, ST® Compatible"; Corning Cable Systems LLC, Hickory, NC (Apr. 2007).

Product Brochure, "Unicam® Pretium®-Performance Multi-Mode Connectors LC, SC, ST® Compatible"; Corning Cable Systems LLC, Hickory, NC (May 2007).

Product Brochure, "Opti-Snap™ SC APC, LC Compatible Single-Mode Field-Installable Connector"; Corning Cable Systems LLC, Hickory, NC (Jul. 2007).

Form PCT/ISA/210, dated Dec. 3, 2009, issued in PCT/US2009/041501.

* cited by examiner



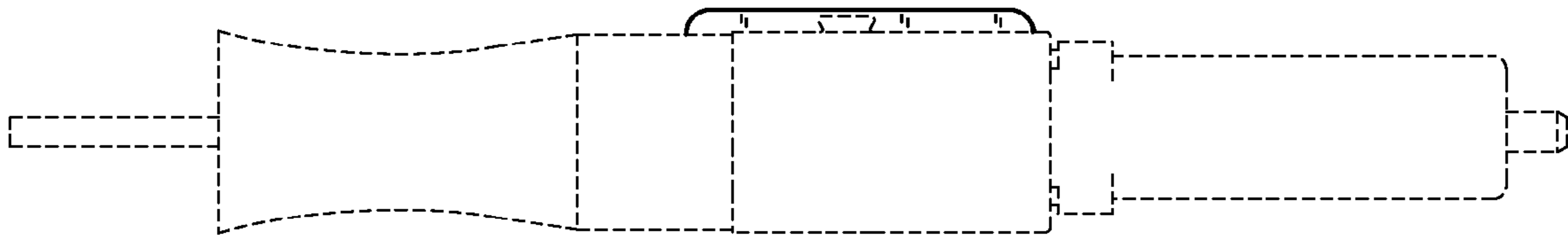


FIG. 4

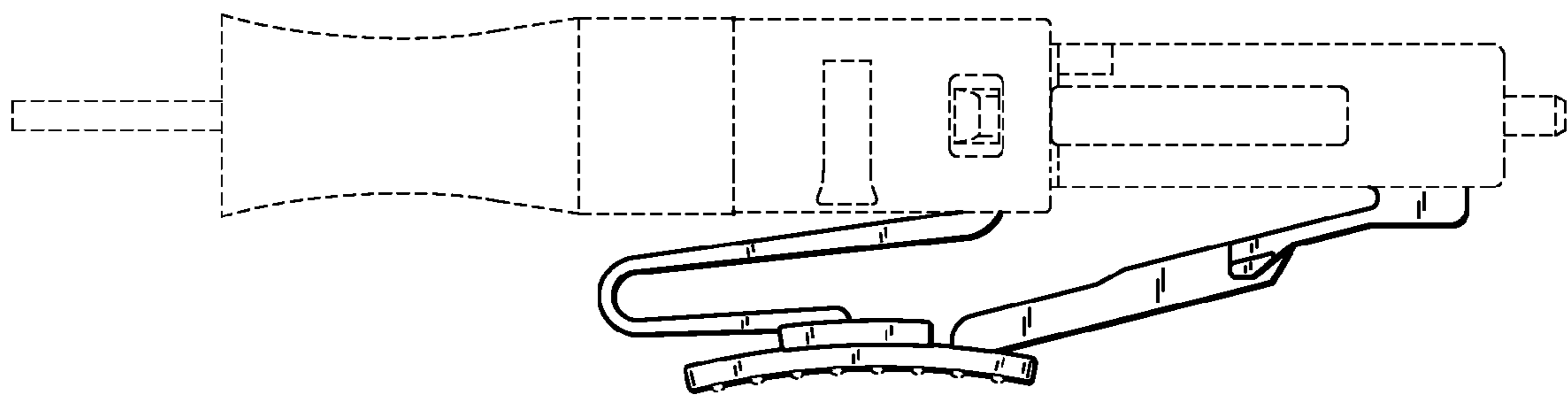


FIG. 5

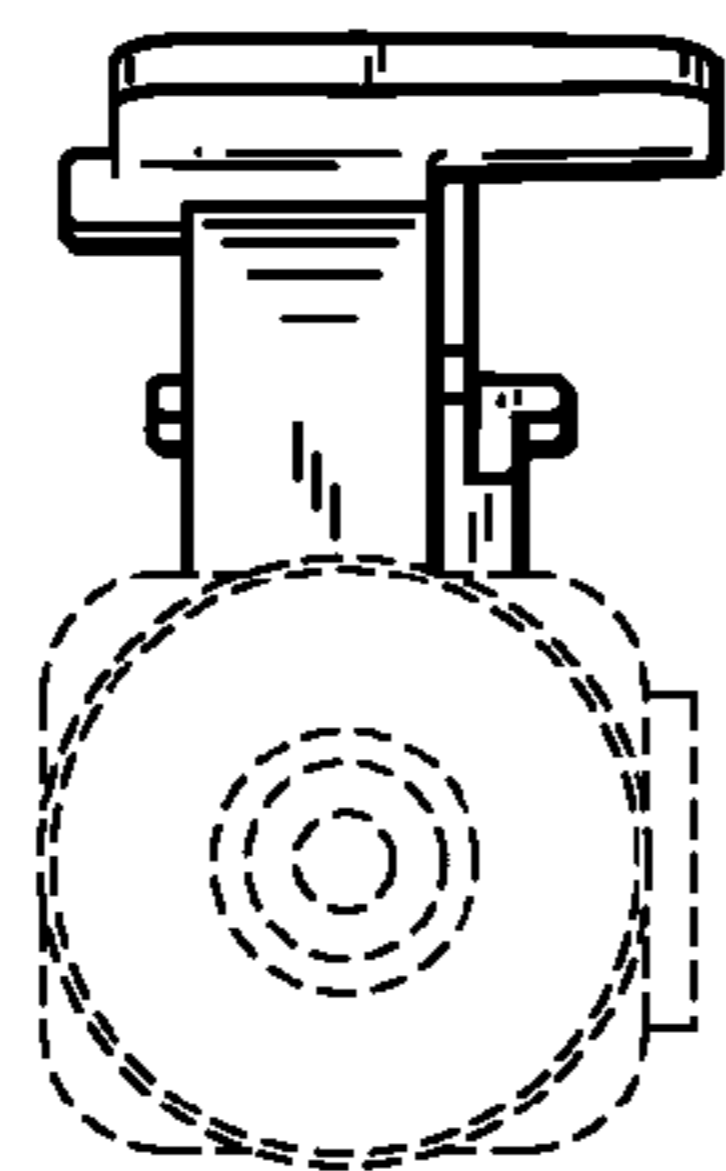


FIG. 6

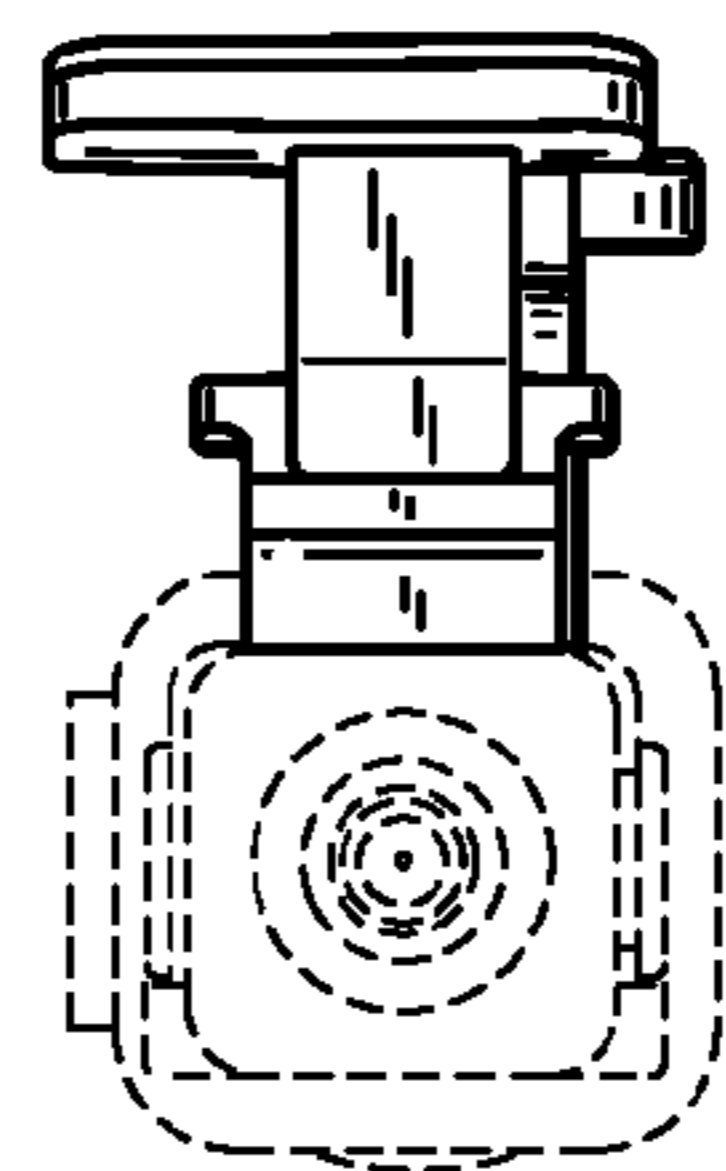


FIG. 7