



US00D619097S

(12) **United States Design Patent**
McCarthy

(10) **Patent No.:** **US D619,097 S**

(45) **Date of Patent:** **** Jul. 6, 2010**

(54) **FACE PLATE CONNECTOR INSERT FOR NETWORK USER DROP BOX**

(75) Inventor: **Craig McCarthy**, Denton, MD (US)

(73) Assignee: **Holocom, Inc.**, San Diego, CA (US)

(**) Term: **14 Years**

(21) Appl. No.: **29/305,071**

(22) Filed: **Mar. 13, 2008**

(51) **LOC (9) Cl.** **13-03**

(52) **U.S. Cl.** **D13/152**

(58) **Field of Classification Search** D8/350;
D13/152, 173; 174/66-67, 50, 135, 53, 58,
174/60, 64; 439/135-142, 535; 220/3.2,
220/3.3, 3.9; 248/906

See application file for complete search history.

(56) **References Cited**

U.S. PATENT DOCUMENTS

3,676,571	A *	7/1972	Rubinstein	174/663
D286,768	S	11/1986	Borsh et al.		
4,927,039	A *	5/1990	McNab	220/3.7
D341,353	S *	11/1993	O	D13/152
D405,422	S *	2/1999	Tennefoss et al.	D13/152
6,300,567	B1 *	10/2001	Hayduke et al.	174/58
D457,140	S *	5/2002	Roesch et al.	D13/152
D459,312	S	6/2002	Roesch et al.		
D462,664	S	9/2002	Roesch et al.		
6,914,187	B2 *	7/2005	Hull et al.	174/50
D513,495	S *	1/2006	Hull et al.	D13/152
D519,930	S *	5/2006	Hull et al.	D13/152
D523,818	S *	6/2006	Roesch et al.	D13/152
D538,751	S *	3/2007	Kiely	D13/152

D539,751	S *	4/2007	Kiely	D13/152
D556,694	S	12/2007	Sipe		
D567,769	S	4/2008	Sinai		
D580,871	S *	11/2008	McCarthy	D13/152
D584,596	S *	1/2009	Doverspike	D8/354
7,549,549	B1 *	6/2009	Kiely	220/3.7
7,572,976	B1 *	8/2009	Merrill	174/50
7,608,780	B2 *	10/2009	McCarthy	174/50

OTHER PUBLICATIONS

U.S. Appl. No. 29/305,075, filed Mar. 13, 2008, inventor McCarthy (not yet published).

* cited by examiner

Primary Examiner—Mark A Goodwin

(74) *Attorney, Agent, or Firm*—Procopio, Cory, Hargreaves & Savitch LLP

(57) **CLAIM**

The ornamental design for a face plate connector insert for network user drop box, as shown and described.

DESCRIPTION

FIG. 1 is a front perspective view of a face plate connector insert for network user drop box, showing my new design;

FIG. 2 is a right side elevation view thereof;

FIG. 3 is a left side elevation view thereof;

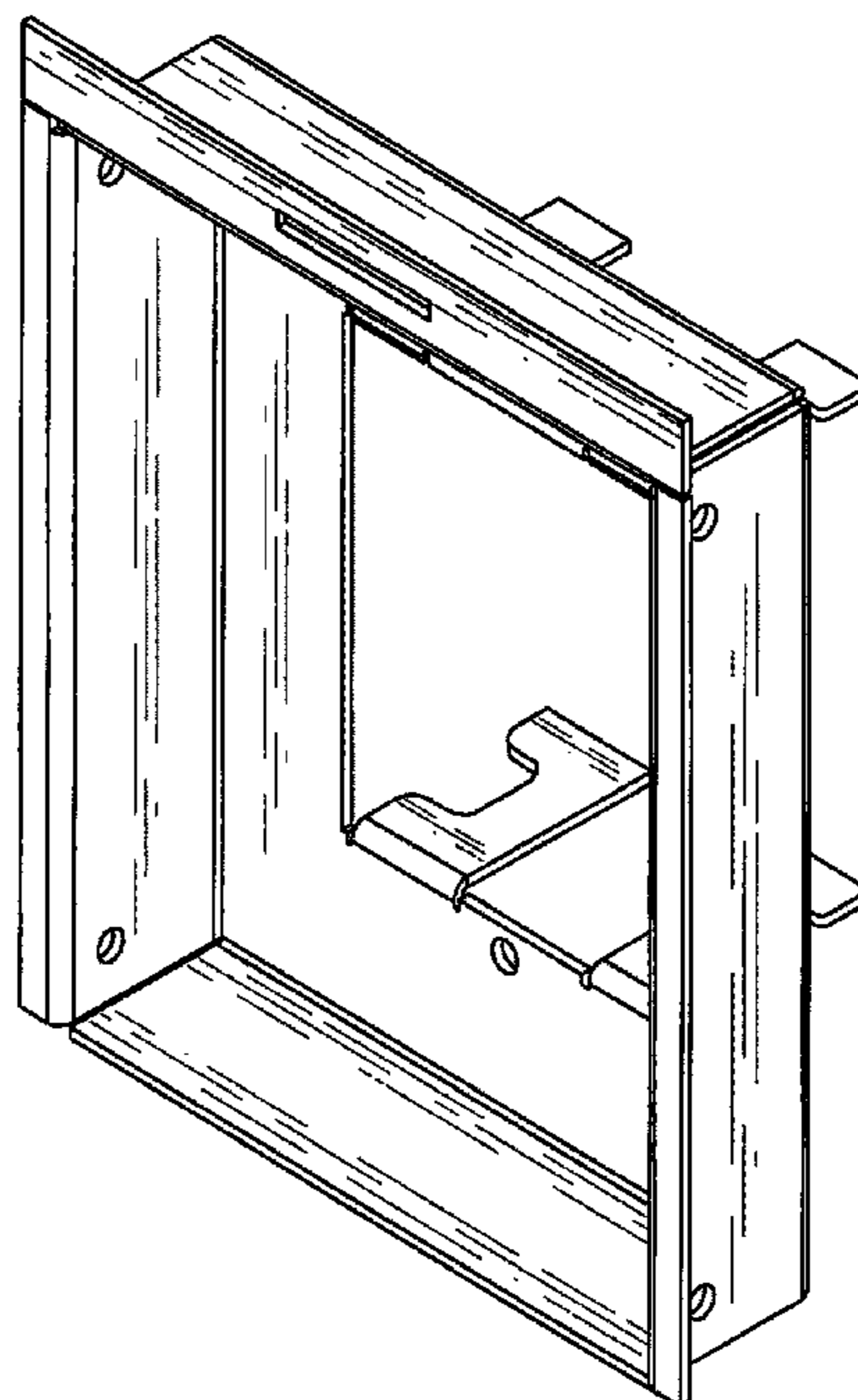
FIG. 4 is a top plan view thereof;

FIG. 5 is a bottom plan view thereof;

FIG. 6 is a front elevation view thereof; and,

FIG. 7 is a rear elevation view thereof.

1 Claim, 5 Drawing Sheets



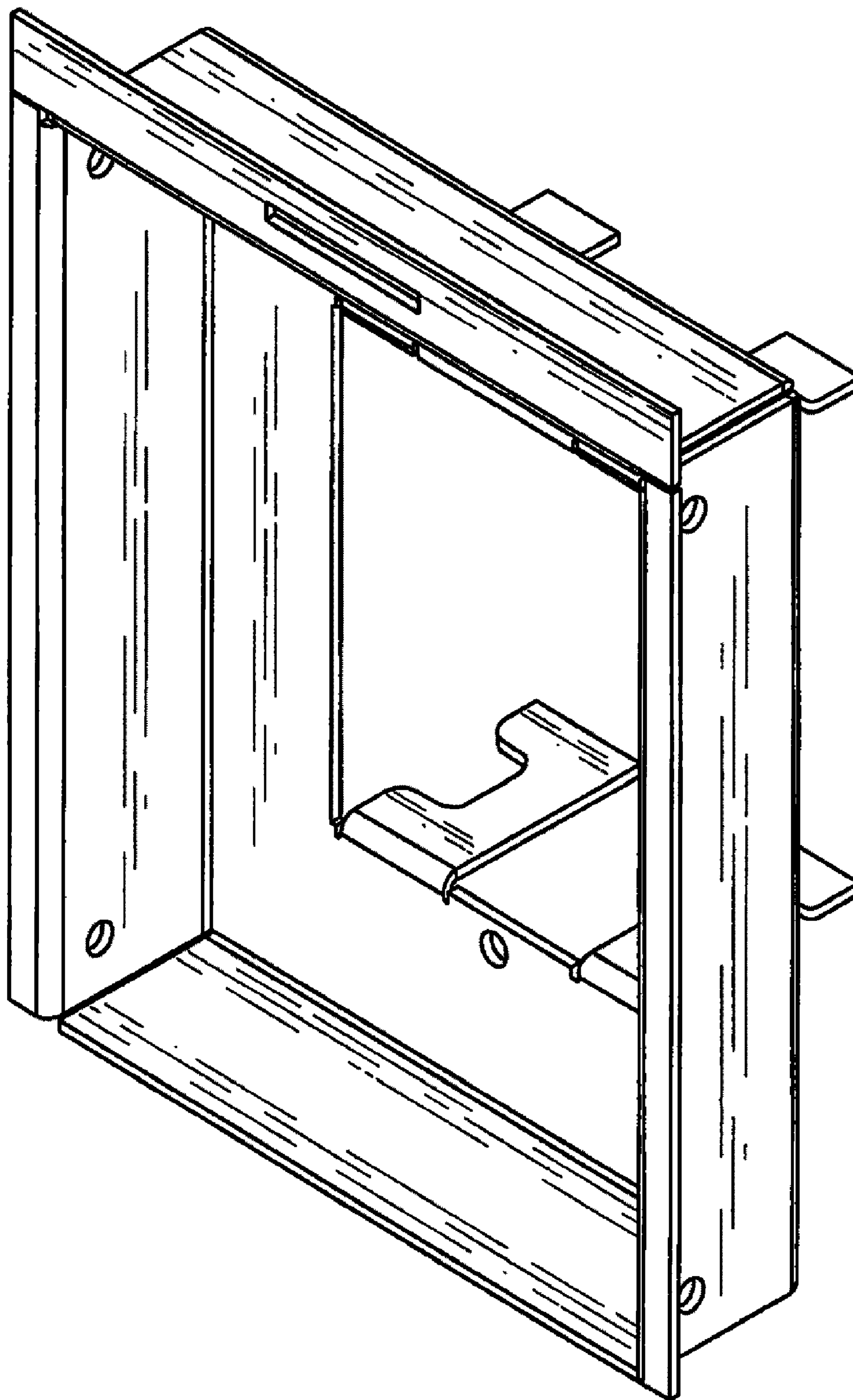


FIG. 1

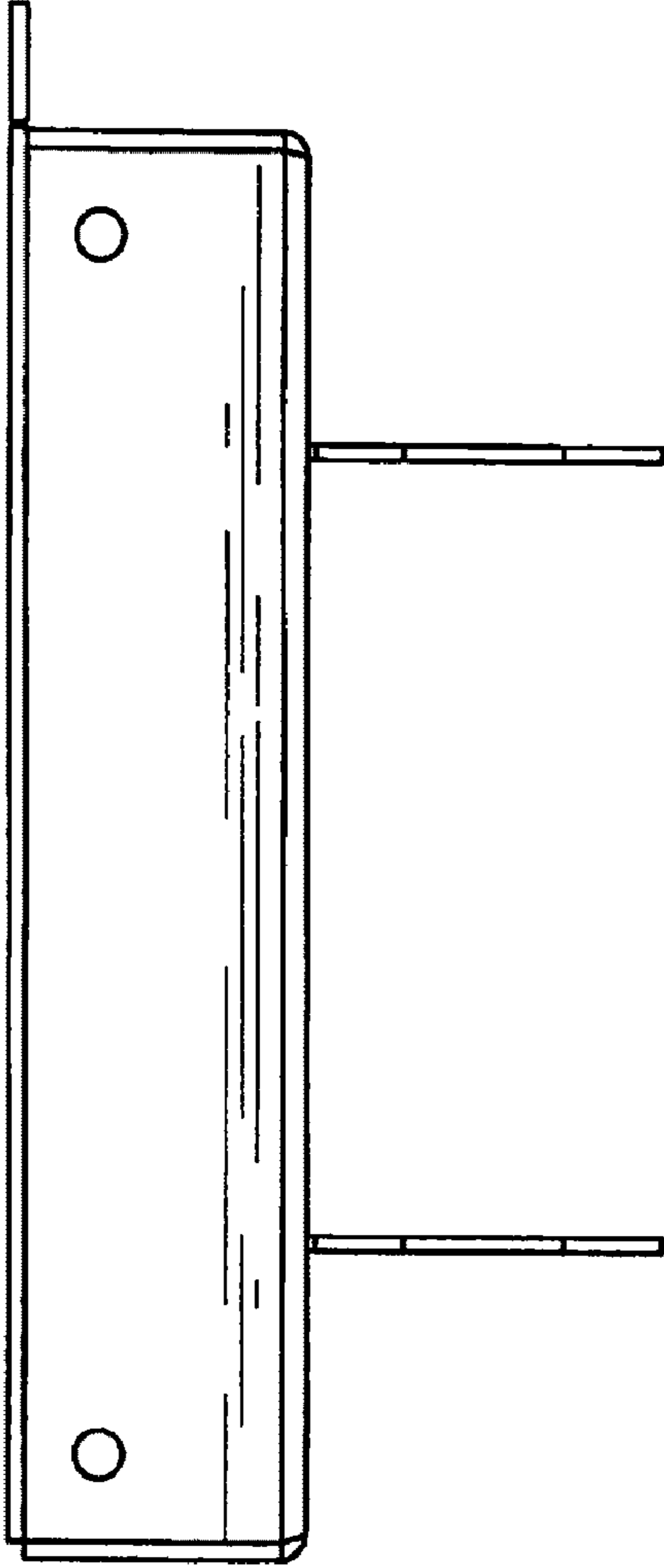


FIG. 2

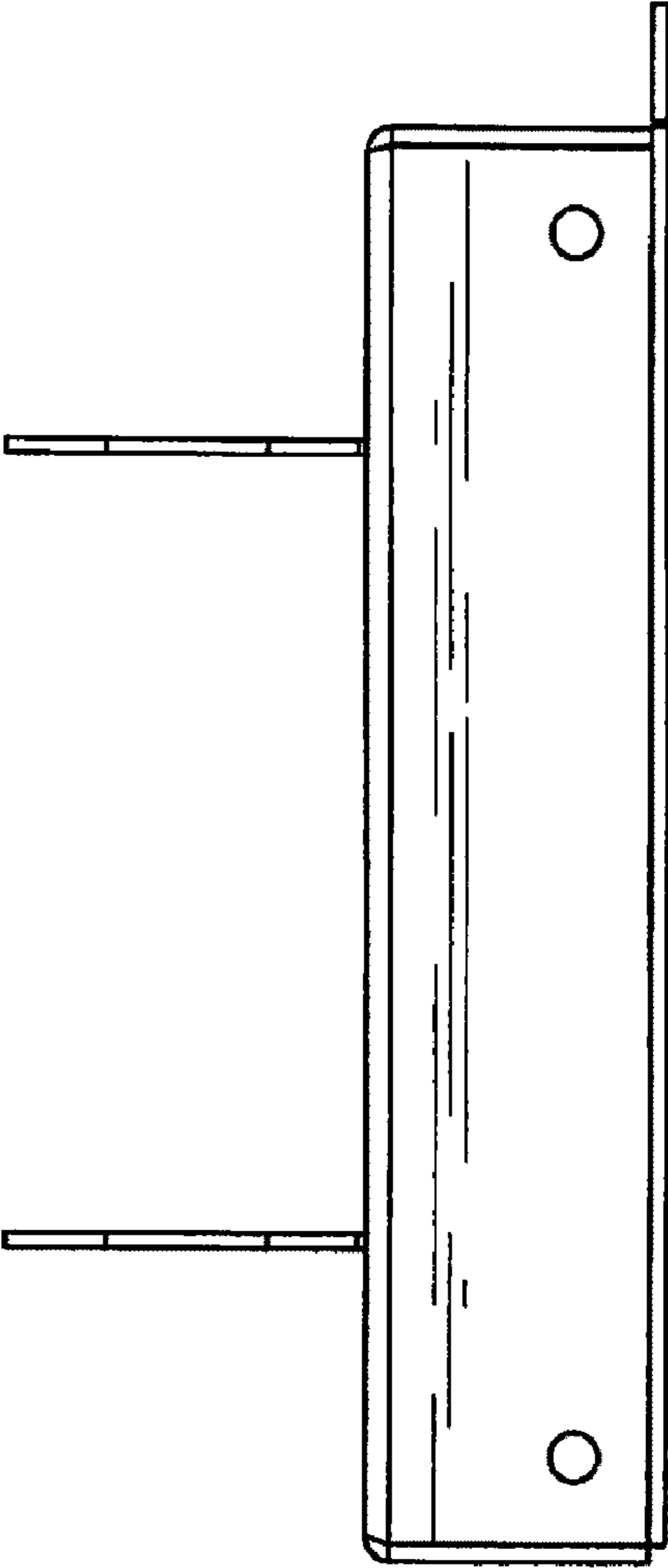


FIG. 3

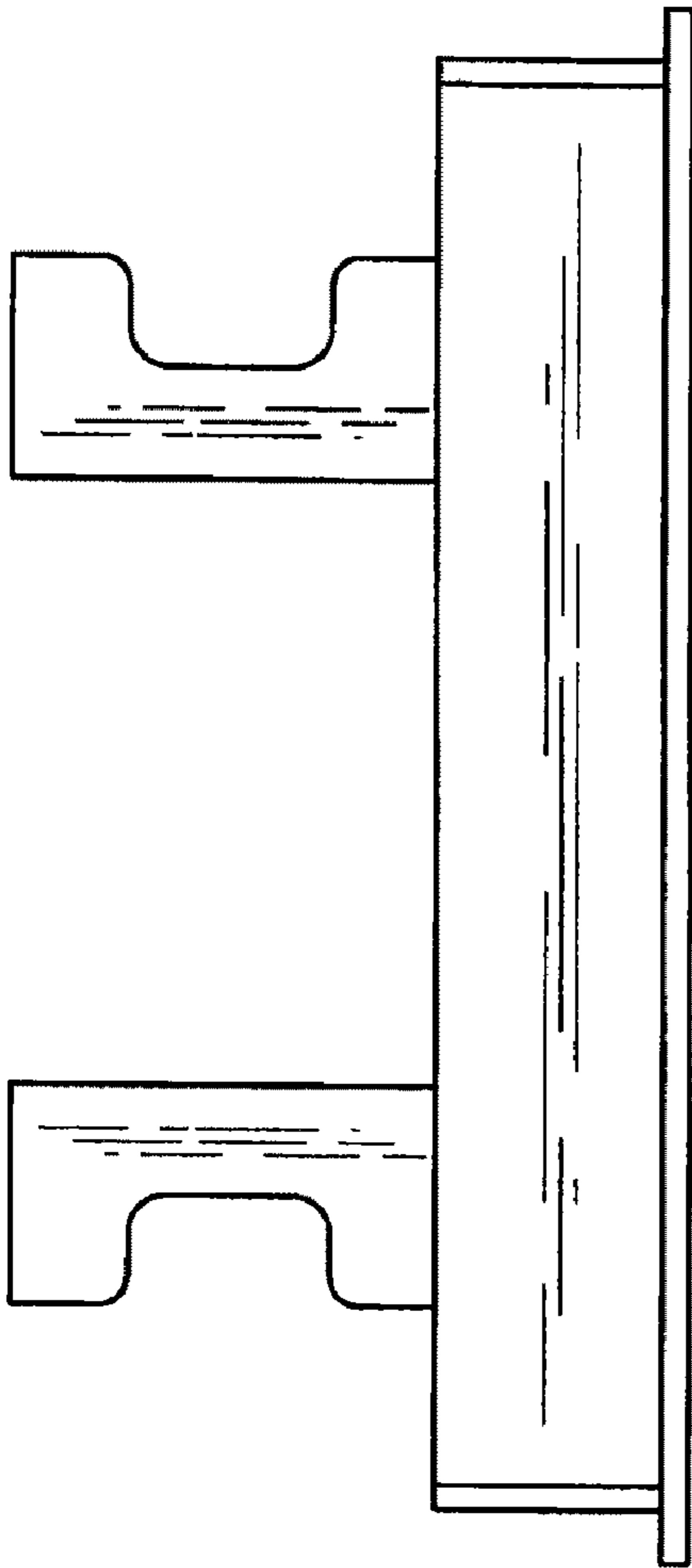


FIG. 4

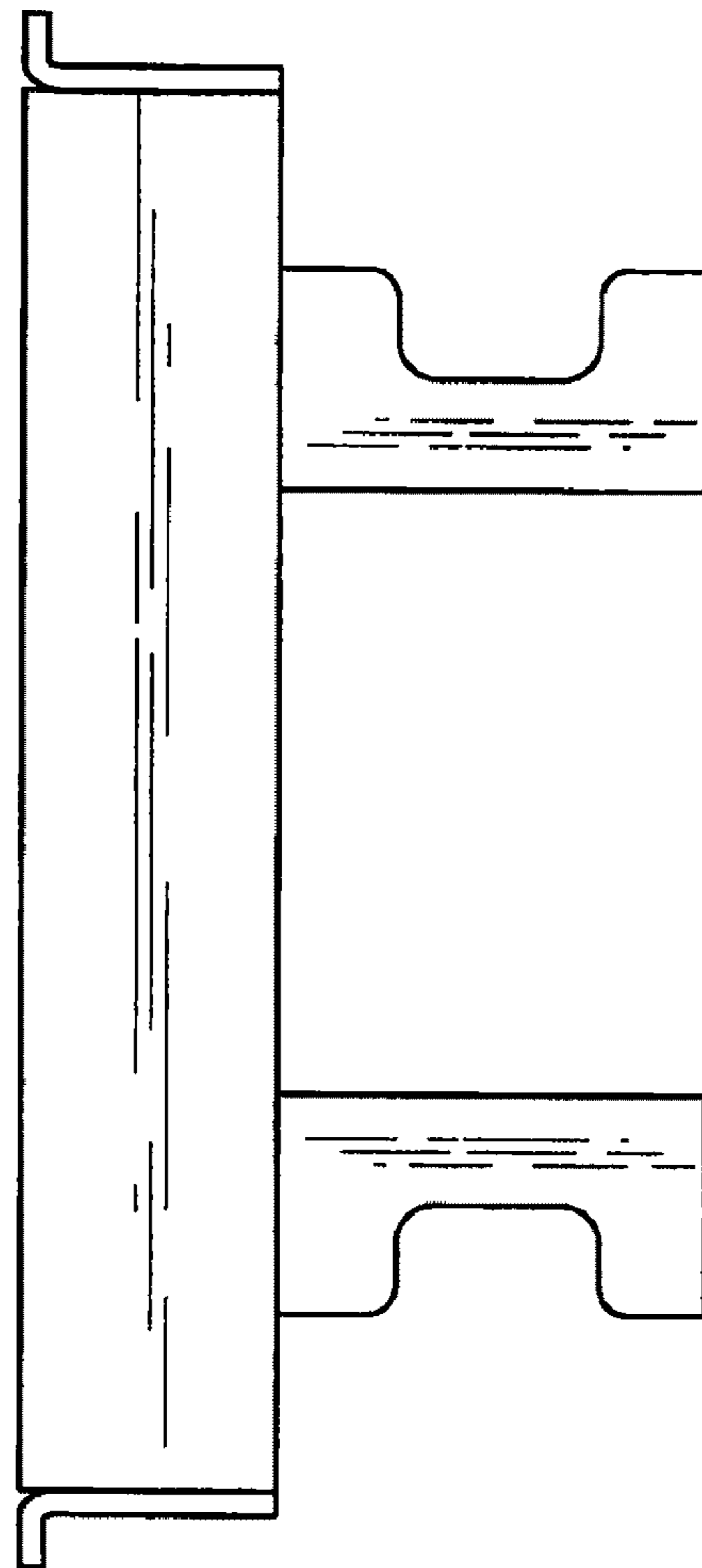


FIG. 5

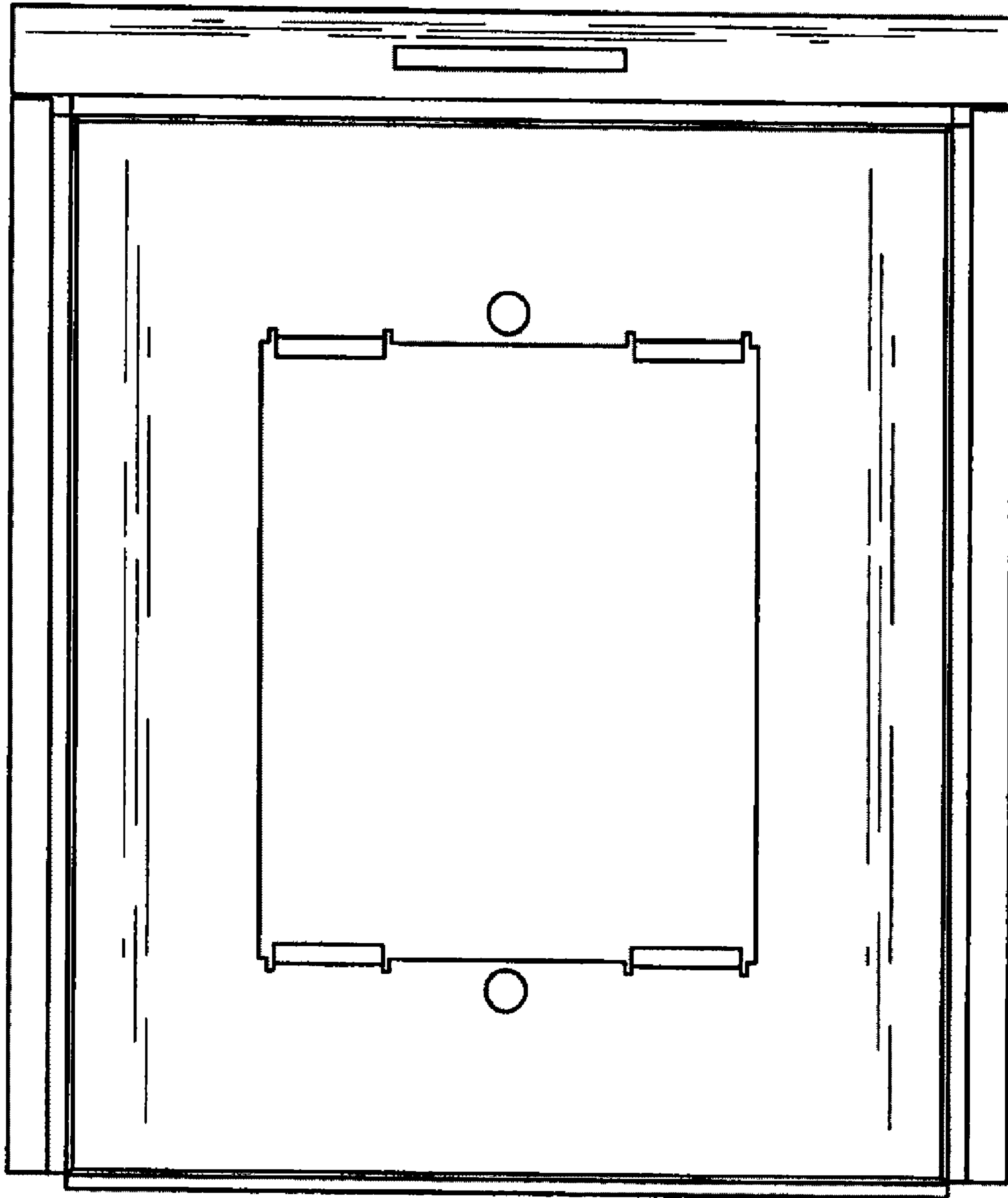


FIG. 6

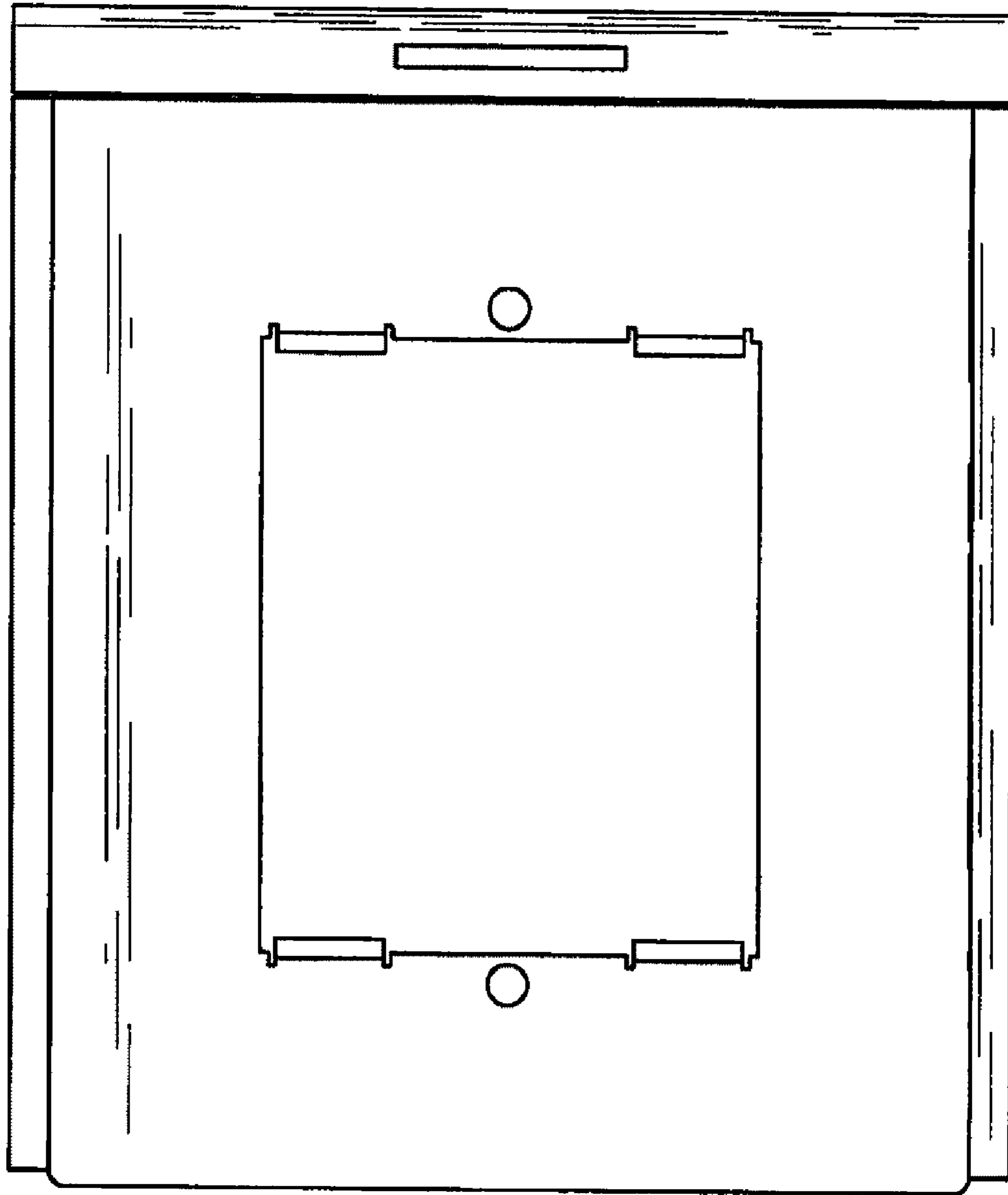


FIG. 7