



US00D619095S

(12) **United States Design Patent**
Yotsutani

(10) **Patent No.:** **US D619,095 S**
(45) **Date of Patent:** **** Jul. 6, 2010**

(54) **ELECTRIC CONNECTOR**

(75) Inventor: **Kenichi Yotsutani**, Machida (JP)

(73) Assignee: **I PEX Co., Ltd.**, Machida-shi (JP)

(**) Term: **14 Years**

(21) Appl. No.: **29/341,872**

(22) Filed: **Aug. 13, 2009**

(30) **Foreign Application Priority Data**

Dec. 13, 2009 (JP) 2009-002922

(51) **LOC (9) Cl.** **13-03**

(52) **U.S. Cl.** **D13/147**

(58) **Field of Classification Search** D13/147,
D13/154, 184; 439/73, 79, 83, 181, 495,
439/607-610, 637

See application file for complete search history.

(56) **References Cited**

U.S. PATENT DOCUMENTS

D580,869 S * 11/2008 Miyazaki D13/147
D597,952 S * 8/2009 Kikuchi et al. D13/147
2004/0102067 A1 * 5/2004 Motojima et al. 439/108
2006/0264103 A1 * 11/2006 Wei 439/607

FOREIGN PATENT DOCUMENTS

JP 1327686 4/2008

OTHER PUBLICATIONS

U.S. Appl. No. 29/341,868, filed Aug. 13, 2009, Yotsutani.

U.S. Appl. No. 29/341,872, filed Aug. 13, 2009, Yotsutani.

* cited by examiner

Primary Examiner—Daniel D Bui

(74) *Attorney, Agent, or Firm*—Oblon, Spivak, McClelland,
Maier & Neustadt, L.L.P.

(57) **CLAIM**

The ornamental design for an electric connector, as shown and described.

DESCRIPTION

FIG. 1 is a front view of an electric connector showing my new design;

FIG. 2 is a top view thereof;

FIG. 3 is a rear view thereof;

FIG. 4 is a bottom view thereof;

FIG. 5 is a right side view thereof;

FIG. 6 is a cross-sectional view thereof, on an enlarged scale, taken along line 6—6 in FIG. 1;

FIG. 7 is a cross-sectional view thereof, on an enlarged scale, taken along line 7—7 in FIG. 1;

FIG. 8 is a top, front and right side perspective view thereof;

FIG. 9 is a bottom, front and left side perspective view thereof;

FIG. 10 is a top, rear and right side perspective view thereof; and,

FIG. 11 is an enlarged view of FIG. 1.

A left side view of the electric connector is omitted because it is presented symmetric to the right side view of FIG. 5.

1 Claim, 6 Drawing Sheets

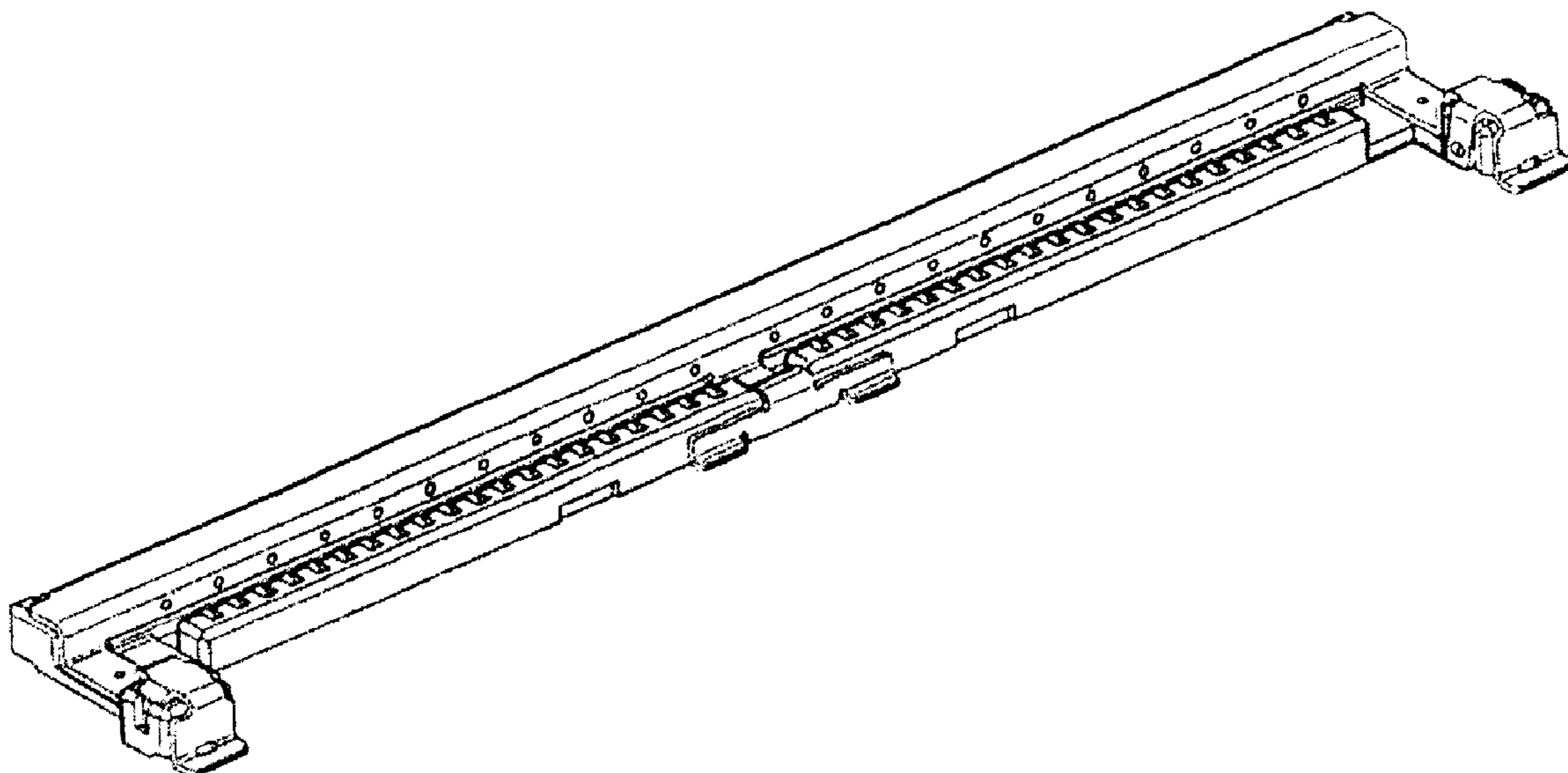


FIG. 1

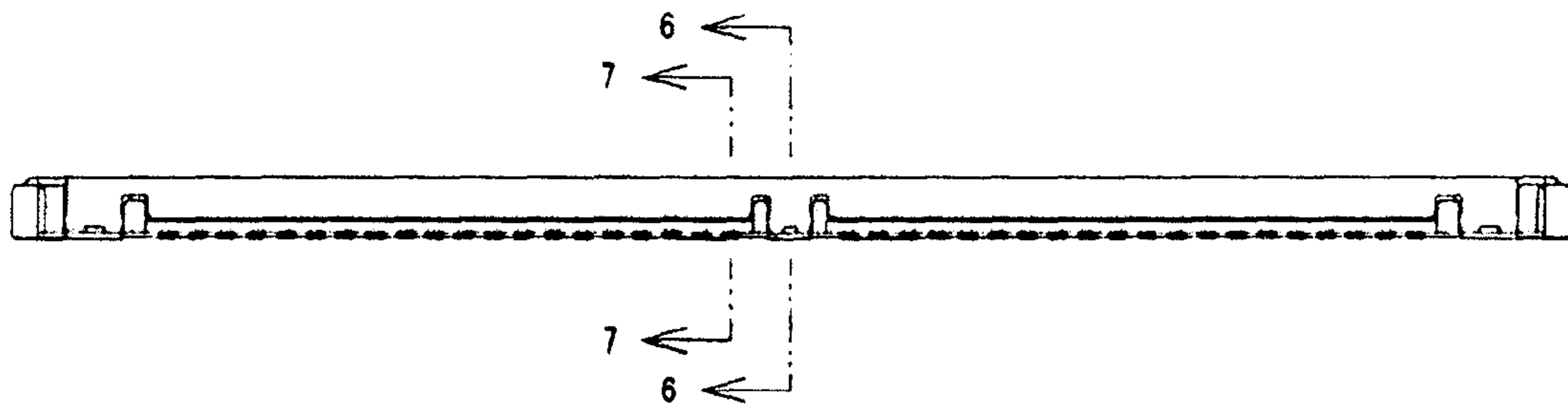


FIG. 2

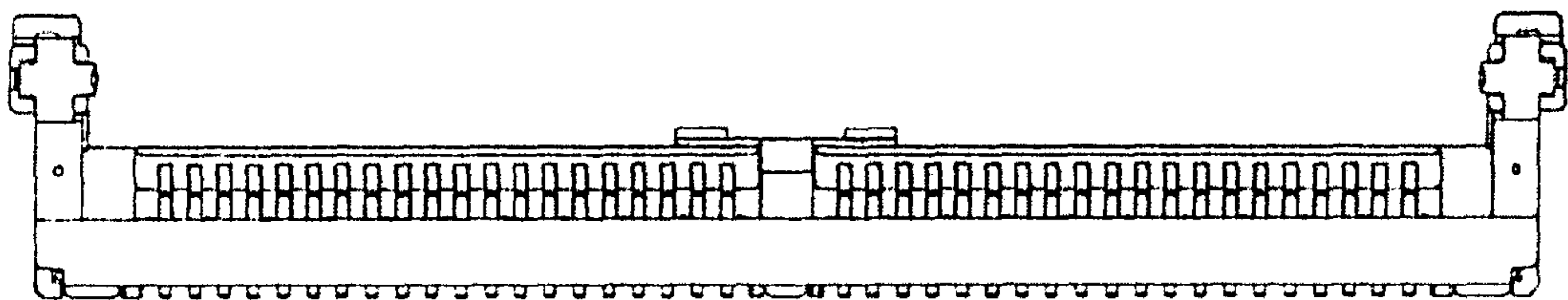


FIG. 3

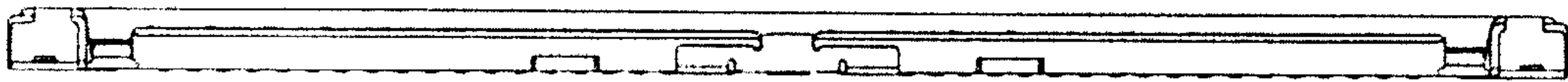


FIG. 4

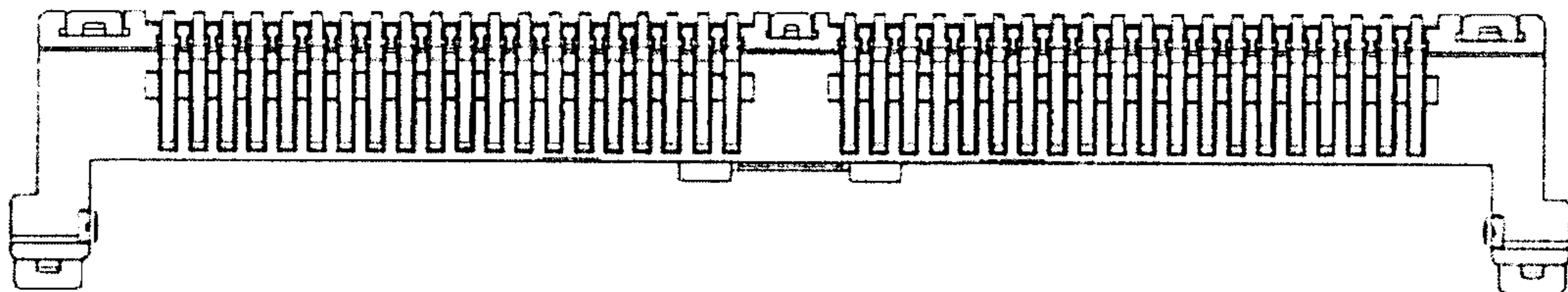


FIG. 5



FIG. 6

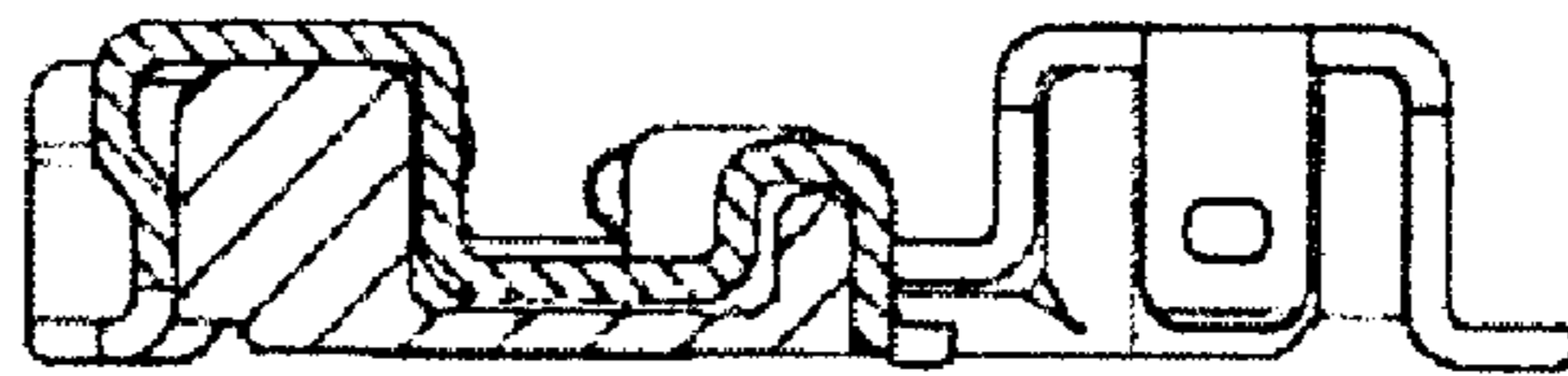


FIG. 7



FIG. 8

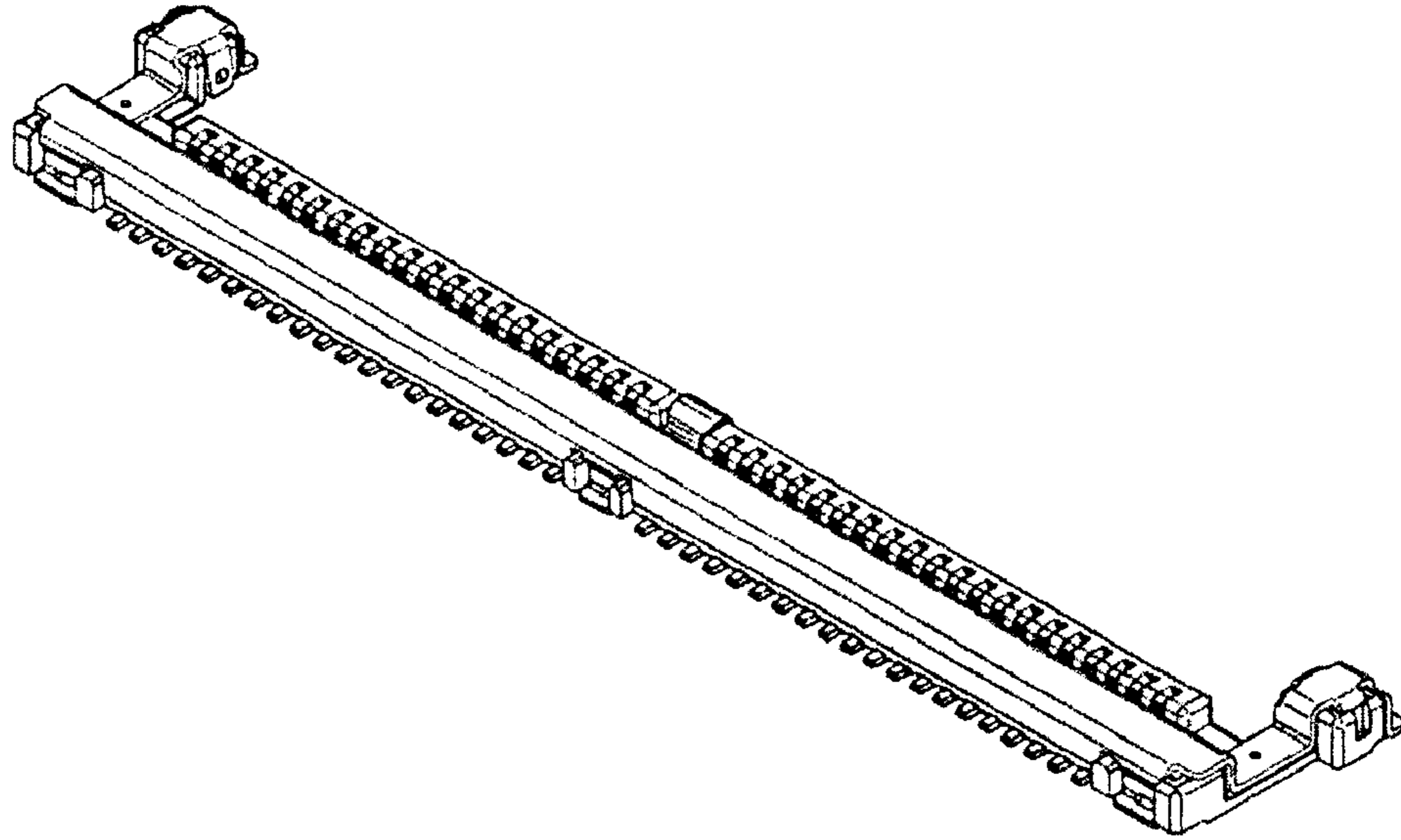


FIG. 9

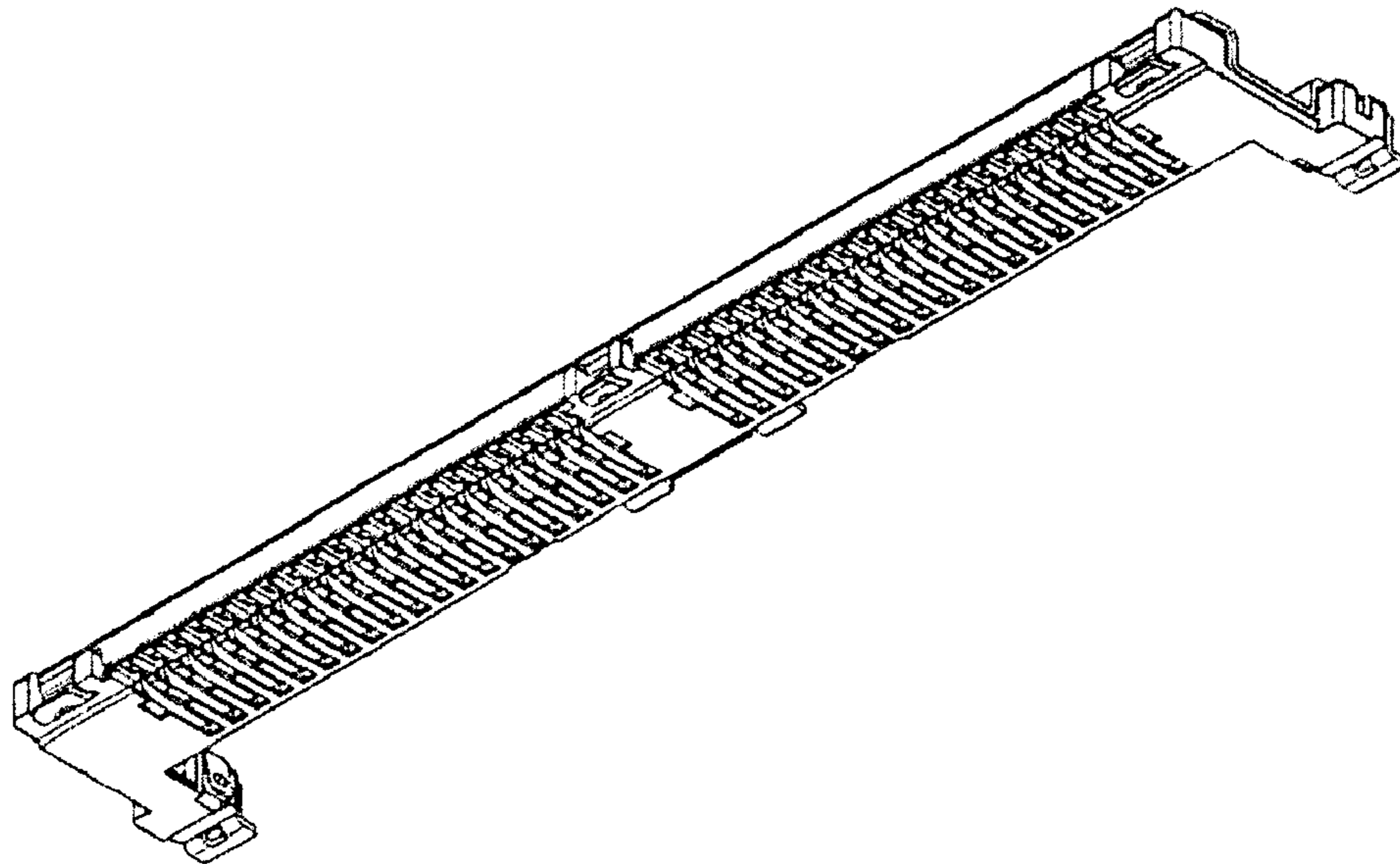


FIG. 10

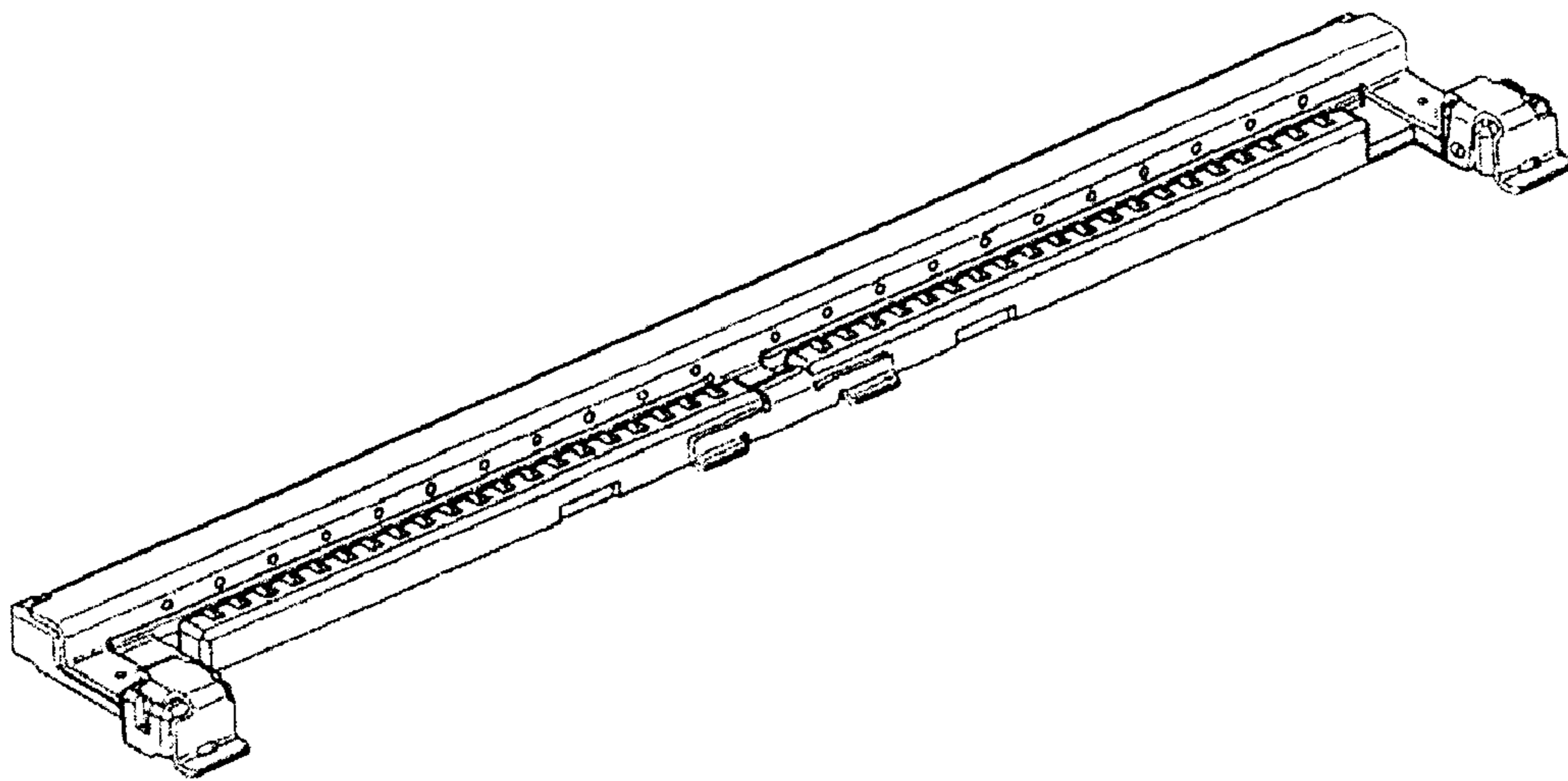
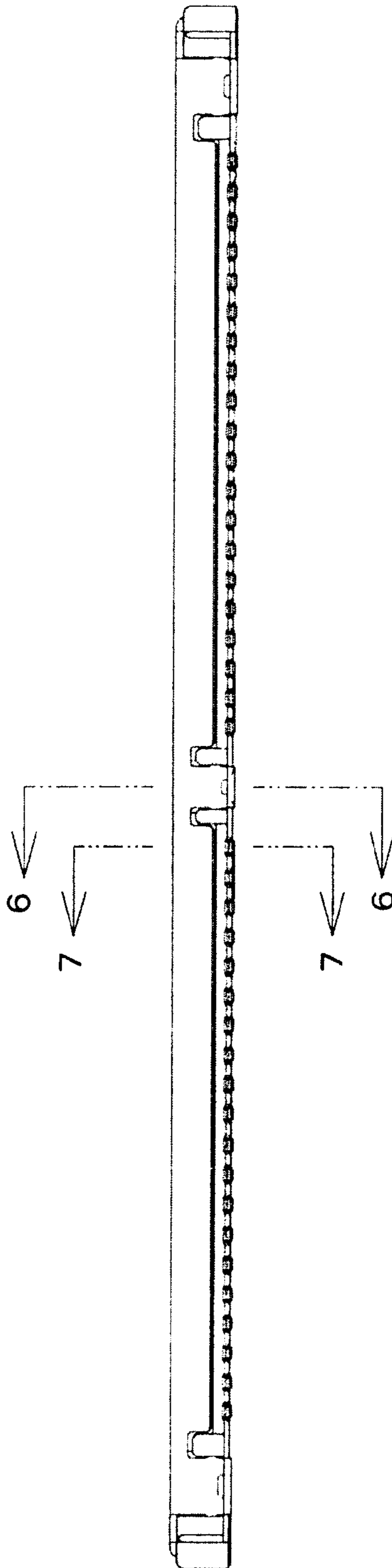


FIG. 11



UNITED STATES PATENT AND TRADEMARK OFFICE
CERTIFICATE OF CORRECTION

PATENT NO. : Des. 619,095 S
APPLICATION NO. : 29/341872
DATED : July 6, 2010
INVENTOR(S) : Yotsutani

Page 1 of 1

It is certified that error appears in the above-identified patent and that said Letters Patent is hereby corrected as shown below:

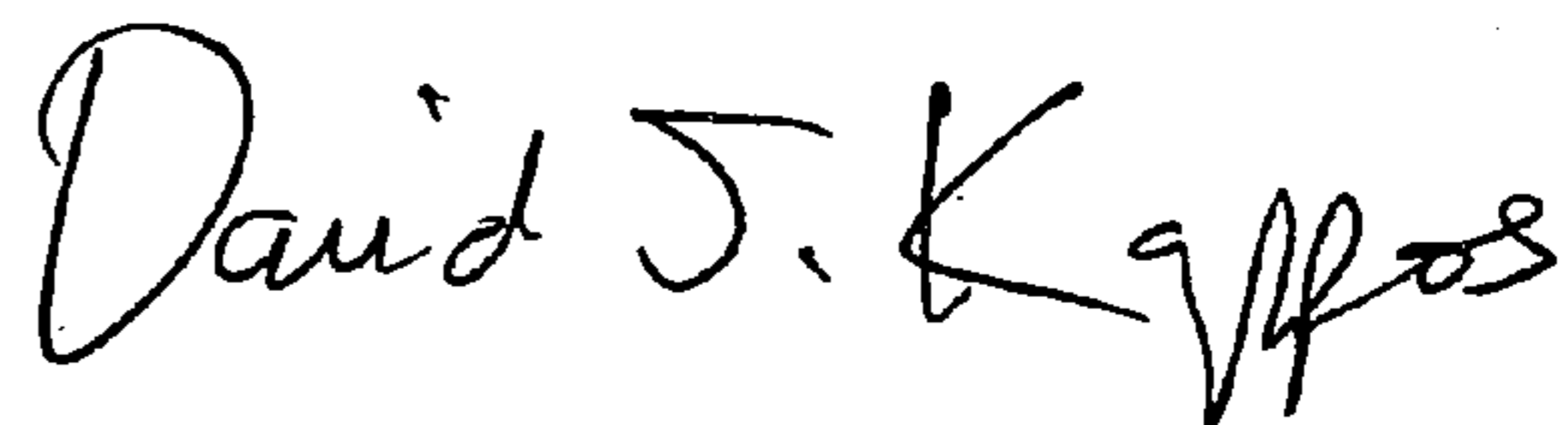
On the title page, Item (30), the Foreign Application Priority Data is incorrect. Item (30) should read:

-- (30) **Foreign Application Priority Data**

Feb. 13, 2009 (JP) 2009-002922 --

Signed and Sealed this

Twenty-fourth Day of August, 2010



David J. Kappos
Director of the United States Patent and Trademark Office