



US00D619093S

(12) **United States Design Patent**
Eilertsen et al.

(10) **Patent No.:** **US D619,093 S**
(45) **Date of Patent:** **** Jul. 6, 2010**

(54) **TERMINAL CONNECTOR**

(75) Inventors: **Thor E. Eilertsen**, Oneonta, NY (US);
Chad Hall, Walton, NY (US); **Daniel A. Patsos**, Otego, NY (US)

(73) Assignee: **Ioxus, Inc.**, Oneonta, NY (US)

(**) Term: **14 Years**

(21) Appl. No.: **29/350,113**

(22) Filed: **Nov. 11, 2009**

(51) **LOC (9) Cl.** **13-03**

(52) **U.S. Cl.** **D13/120**

(58) **Field of Classification Search** D13/103–106,
D13/118–121, 133, 154, 146–147, 184, 199;
439/83, 108, 166, 217, 500, 577, 630, 660,
439/680, 700, 773.1, 754, 756, 774, 797,
439/862, 884, 907, 908; 429/96–100, 163,
429/186; 174/60, 176

See application file for complete search history.

(56) **References Cited**

U.S. PATENT DOCUMENTS

D252,990 S *	9/1979	Gietzen	D13/120
D329,639 S *	9/1992	Arvanitakis et al.	D13/165
D374,863 S *	10/1996	Grande	D13/146
D379,969 S	6/1997	Tan		
D401,901 S *	12/1998	Bunyea et al.	D13/119
D413,858 S	9/1999	Murakami et al.		
D446,771 S *	8/2001	Bosatelli	D13/146
D447,117 S *	8/2001	Ko	D13/133
D471,515 S *	3/2003	Kasahara et al.	D13/103
D471,862 S *	3/2003	Kasahara et al.	D13/103
D471,864 S *	3/2003	Katsumoto et al.	D13/103
D472,207 S *	3/2003	Kasahara et al.	D13/103
D472,209 S	3/2003	Wada et al.		
D472,210 S	3/2003	Tada et al.		
D476,293 S	6/2003	Tada et al.		
D476,294 S	6/2003	Tada et al.		
D476,616 S *	7/2003	Kasahara et al.	D13/103
D476,617 S *	7/2003	Kasahara et al.	D13/103
D476,619 S *	7/2003	Katsumoto et al.	D13/103

D476,620 S	7/2003	Tada et al.		
D476,947 S *	7/2003	Kasahara et al.	D13/103
D477,276 S	7/2003	Katsumoto et al.		
D486,445 S *	2/2004	Kasahara et al.	D13/103
6,790,076 B1 *	9/2004	Patterson	439/500
D511,747 S *	11/2005	Rey et al.	D13/147
D513,606 S *	1/2006	Yamane	D13/149
D523,401 S *	6/2006	Wang	D13/154

(Continued)

Primary Examiner—Rosemary K Tarcza
(74) *Attorney, Agent, or Firm*—Cooley LLP

(57) **CLAIM**

The ornamental design for a terminal connector, as shown and described.

DESCRIPTION

FIG. 1 is a right side perspective view of the terminal connector;

FIG. 2 is a left side perspective view of the terminal connector illustrated in FIG. 1;

FIG. 3 is a rear end view of the terminal connector illustrated in FIG. 1;

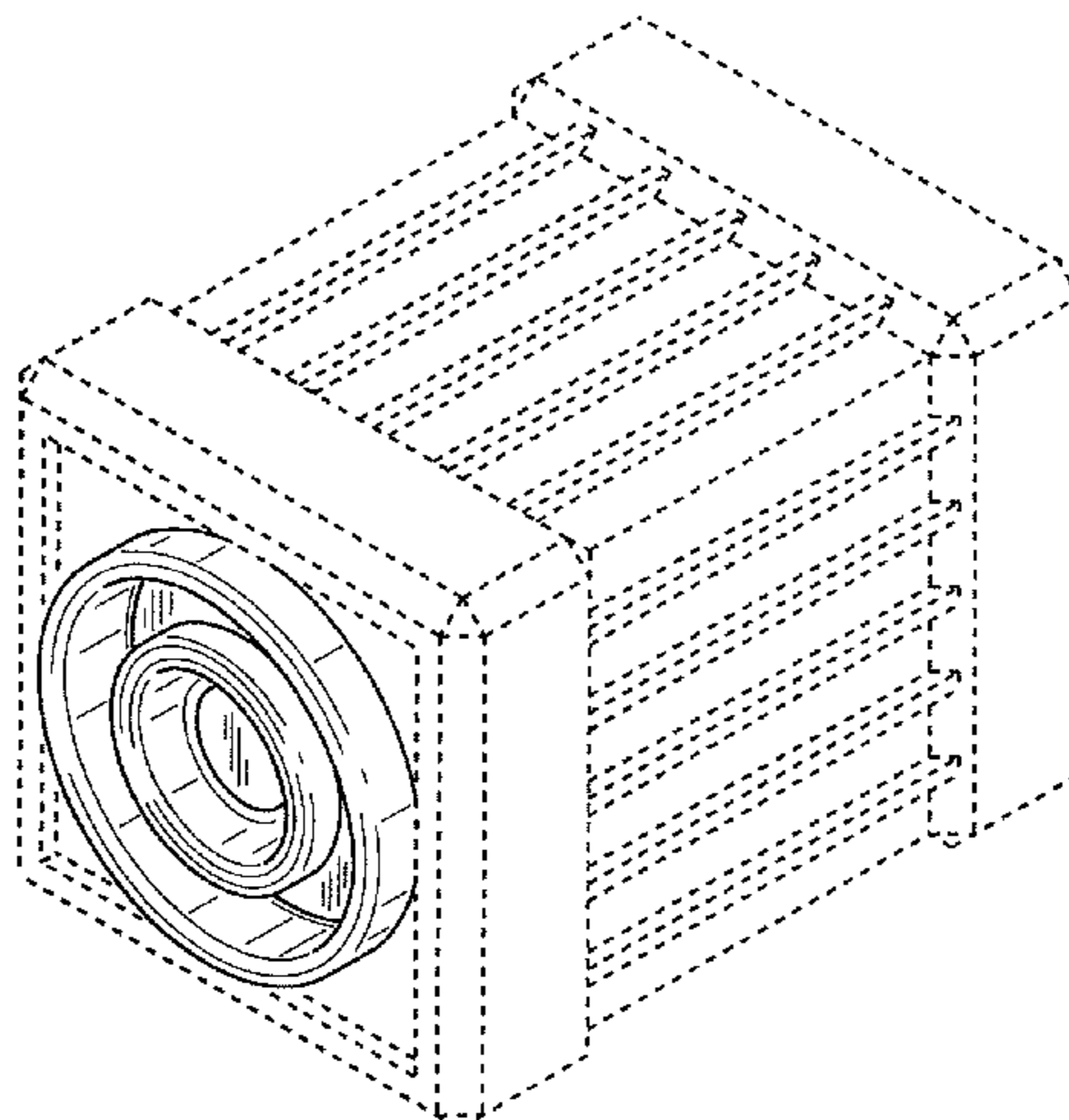
FIG. 4 is a front end view of the terminal connector illustrated in FIG. 1; and

FIG. 5 is a left side view of the terminal connector illustrated in FIG. 1, the right side view being a mirror image thereof; and,

FIG. 6 is a top view of the terminal connector illustrated in FIG. 1, the bottom view being a mirror image thereof.

The portions of the device depicted in broken lines are for illustrative purposes only and form no part of the claimed design.

1 Claim, 4 Drawing Sheets



US D619,093 S

Page 2

U.S. PATENT DOCUMENTS

D534,494 S	1/2007	Li	
D535,619 S *	1/2007	Nagata	D13/133
D539,216 S *	3/2007	Hamaguchi	D13/103
D549,658 S	8/2007	Asai et al.	
D558,678 S *	1/2008	Han et al.	D13/154
D575,741 S *	8/2008	Yamane	D13/133
D576,952 S *	9/2008	Hung	D13/133
D601,092 S *	9/2009	Rupp et al.	D13/147

* cited by examiner

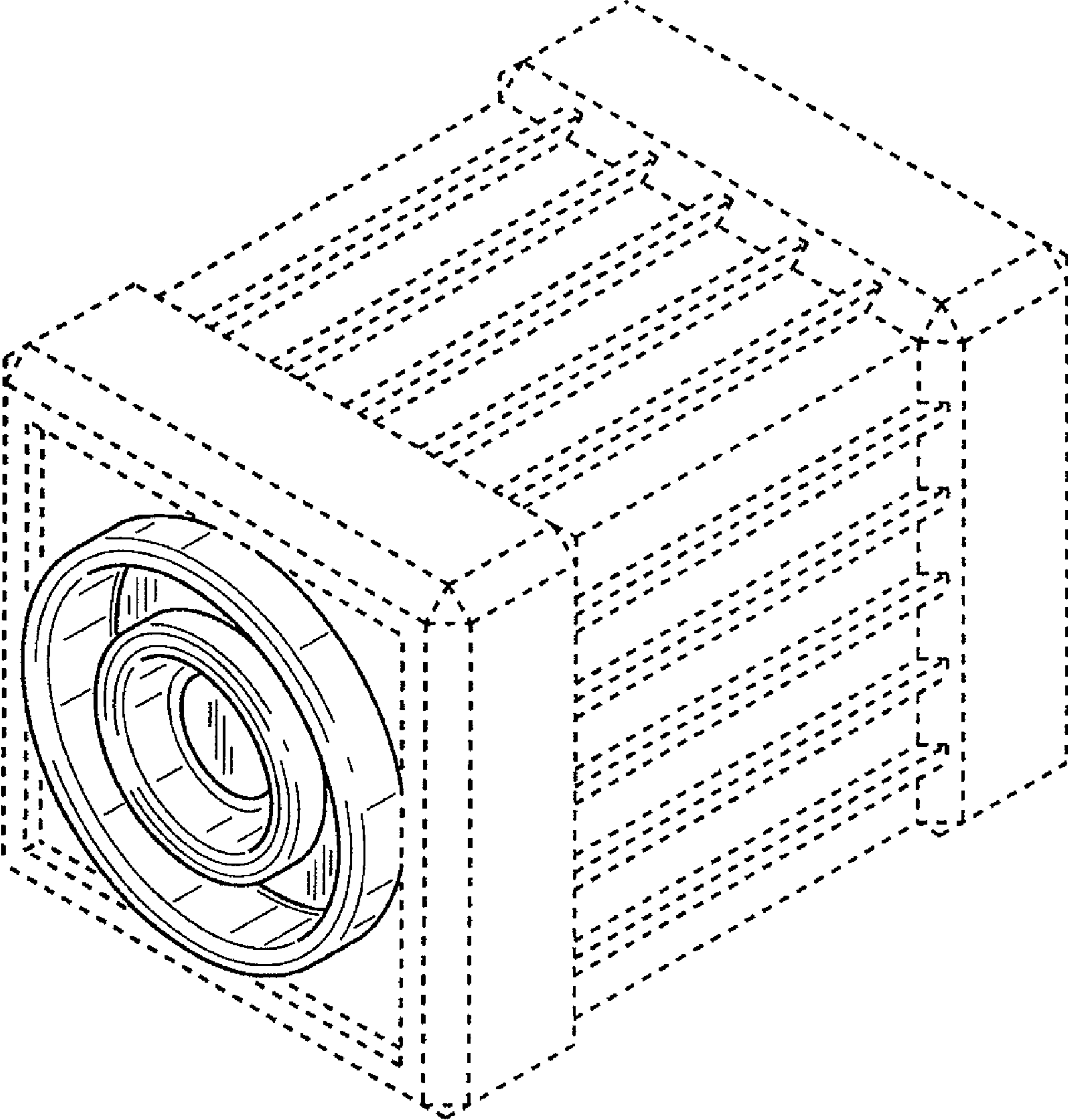


FIG. 1

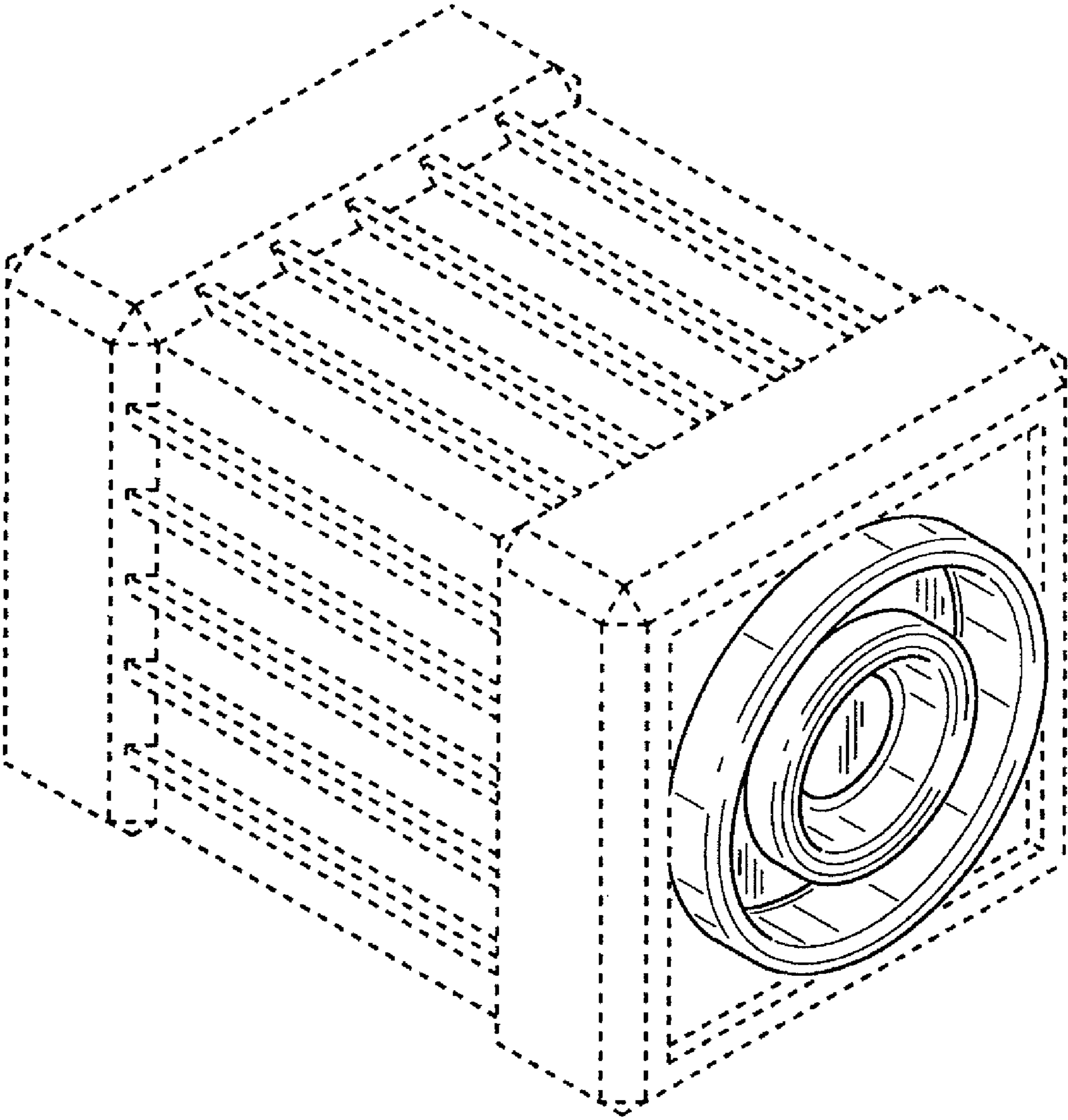


FIG.2

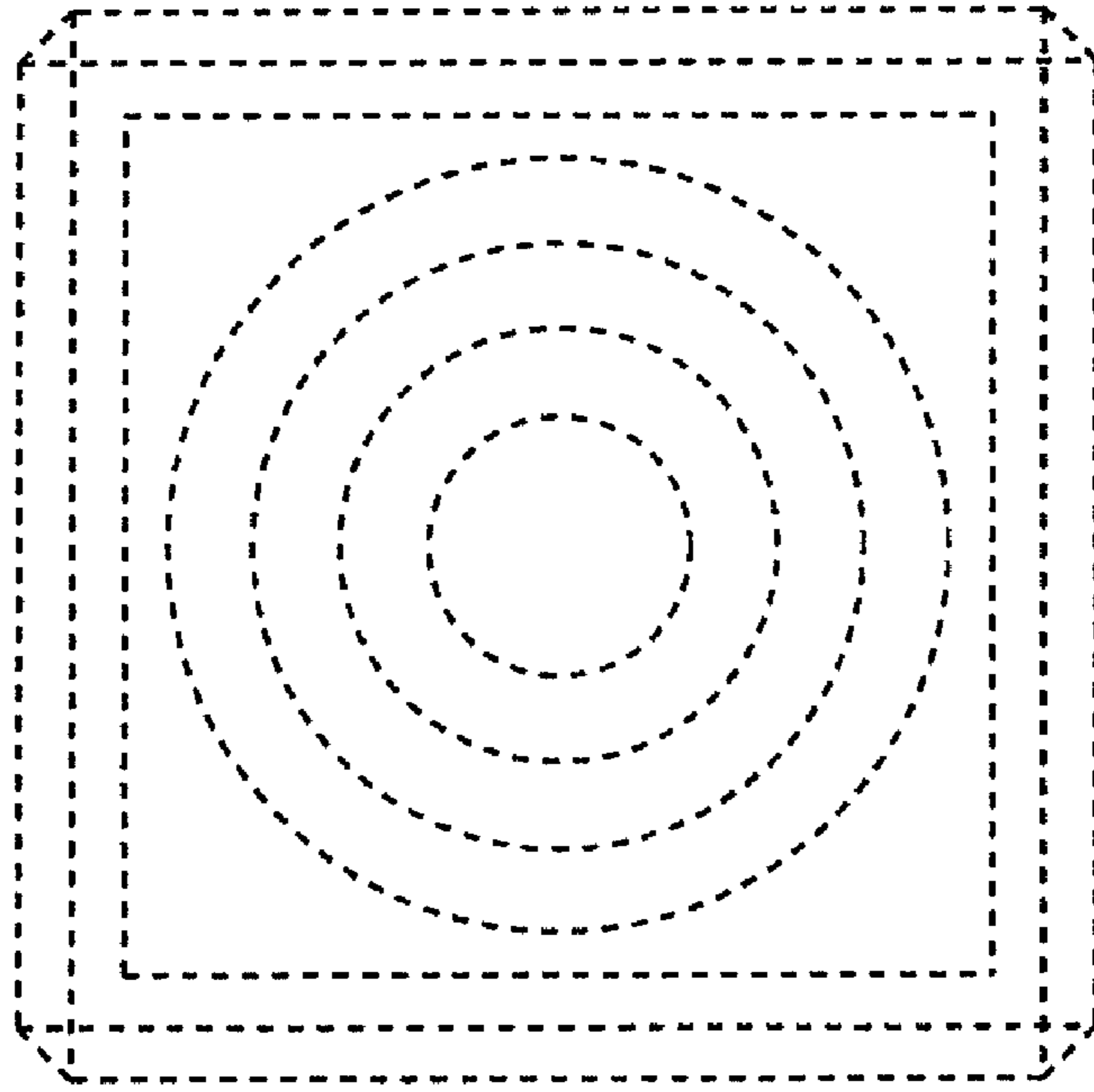


FIG. 3

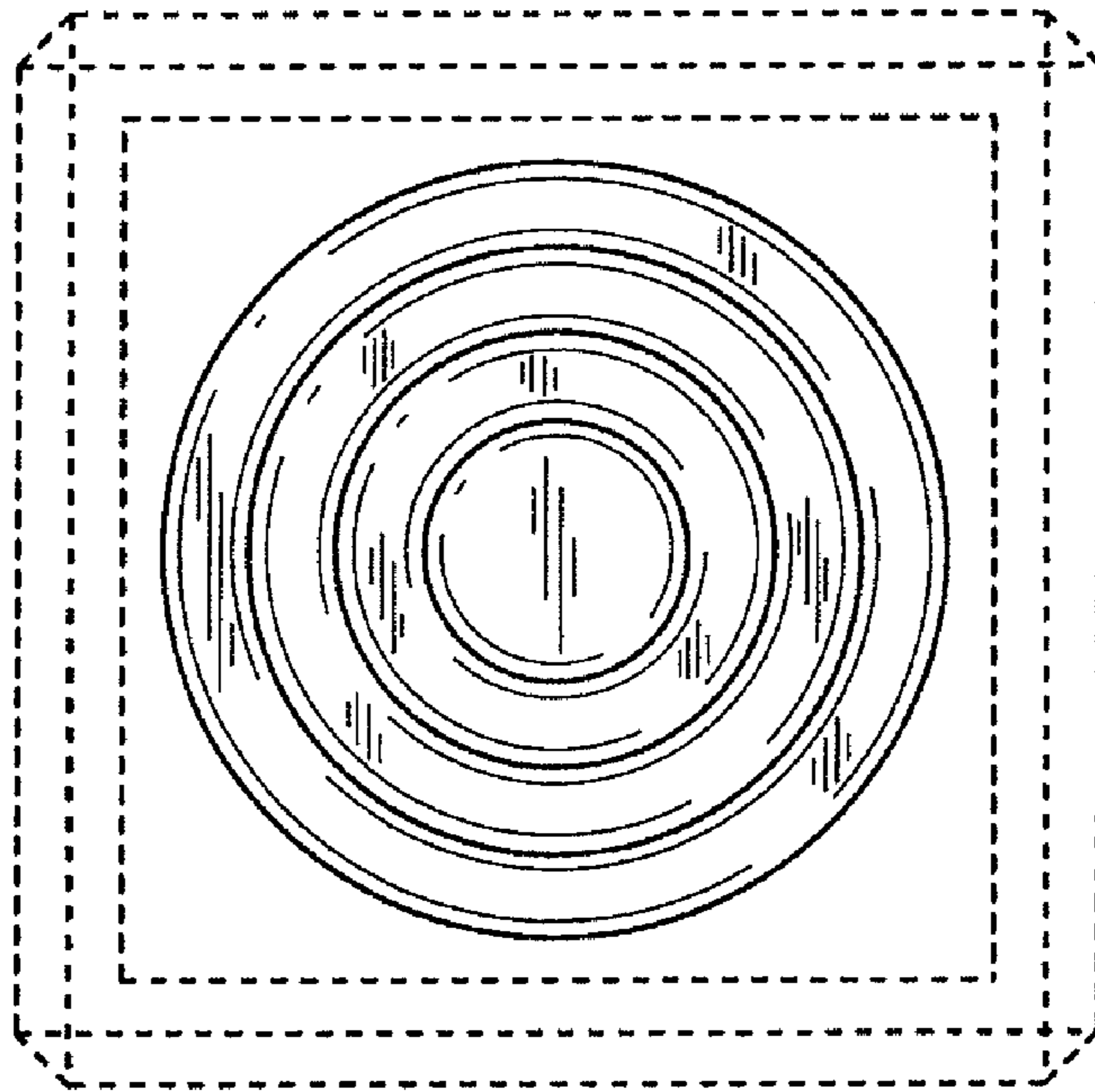


FIG. 4

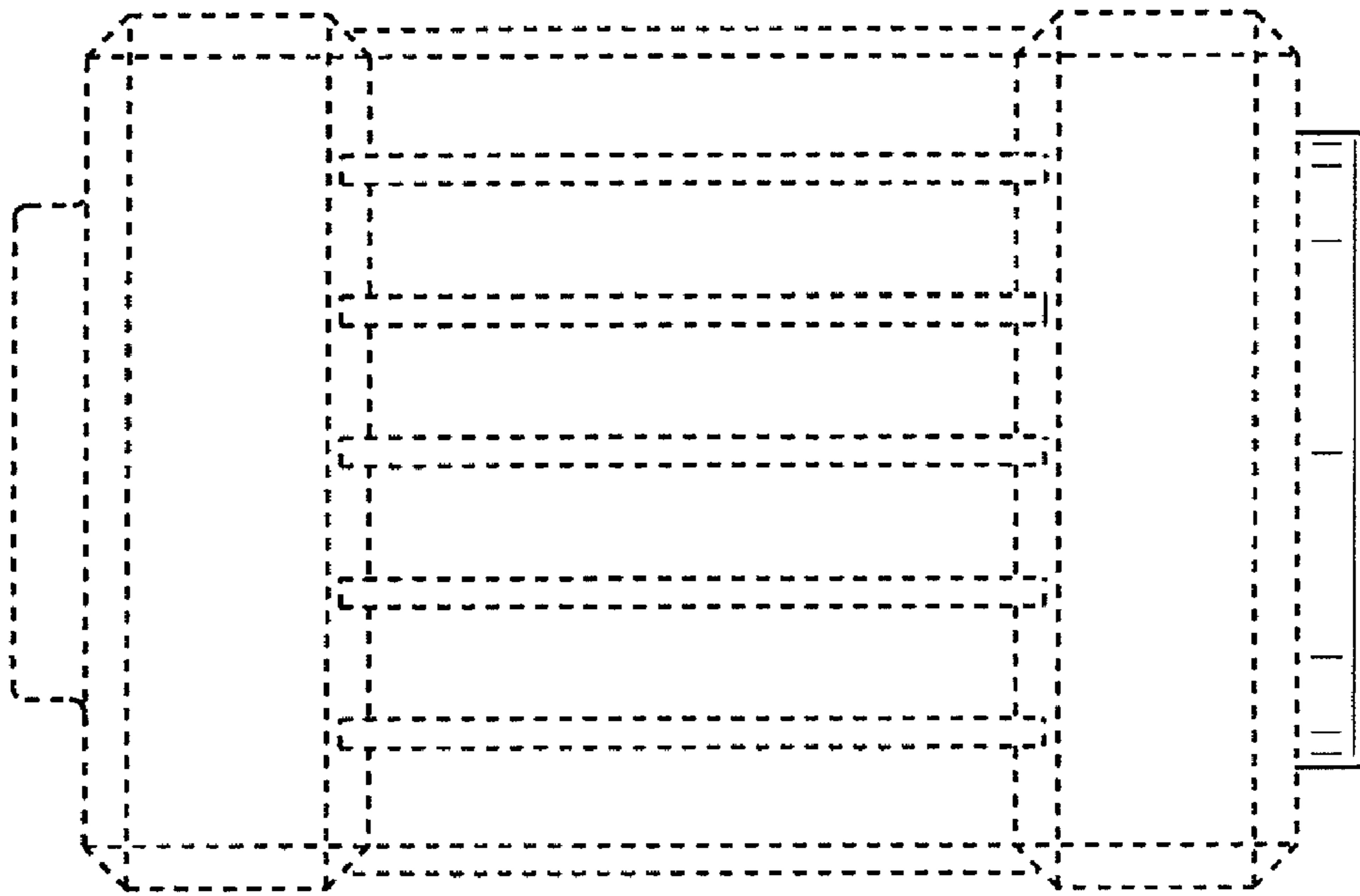


FIG. 5

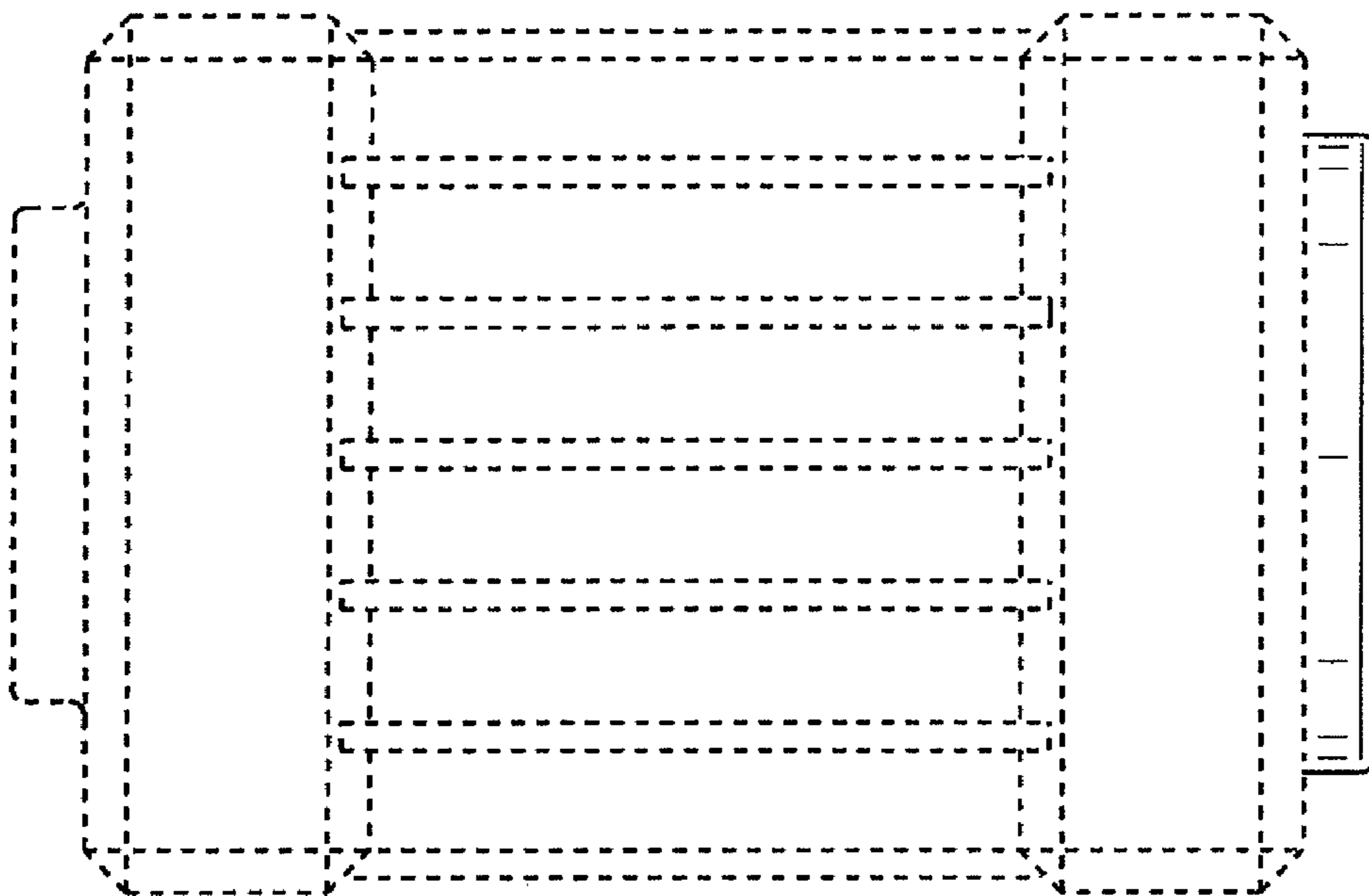


FIG. 6