



US00D619091S

(12) **United States Design Patent**
Eilertsen et al.

(10) **Patent No.:** **US D619,091 S**
(45) **Date of Patent:** **** Jul. 6, 2010**

(54) **TERMINAL CONNECTOR**

(75) Inventors: **Thor E. Eilertsen**, Oneonta, NY (US);
Chad Hall, Walton, NY (US); **Daniel A. Patsos**, Otego, NY (US)

(73) Assignee: **Ioxus, Inc.**, Oneonta, NY (US)

(**) Term: **14 Years**

(21) Appl. No.: **29/350,109**

(22) Filed: **Nov. 11, 2009**

(51) **LOC (9) Cl.** **13-03**

(52) **U.S. Cl.** **D13/120**

(58) **Field of Classification Search** D13/103–106,
D13/118–121, 133, 154, 146–147, 184, 199;
439/83, 108, 166, 217, 500, 577, 630, 660,
439/680, 700, 773.1, 754, 756, 774, 797,
439/862, 884, 907, 908; 429/96–100, 163,
429/186; 174/60, 176

See application file for complete search history.

(56) **References Cited**

U.S. PATENT DOCUMENTS

3,926,495	A	12/1975	Pissarev et al.	
D290,249	S *	6/1987	Knickerbocker et al.	... D13/147
D298,932	S *	12/1988	Knickerbocker et al.	... D13/147
D311,378	S *	10/1990	Keck D13/147
D409,565	S *	5/1999	Copeland et al. D13/119
D444,448	S *	7/2001	Robinson et al. D13/103
D446,766	S	8/2001	Han et al.	
D447,121	S	8/2001	Yim	
D464,622	S *	10/2002	Donnelly D13/120
D473,186	S *	4/2003	Grosfeld et al. D13/103
6,733,919	B1 *	5/2004	Nguyen et al. 429/99
D491,893	S	6/2004	Chen	
D548,684	S	8/2007	Eto et al.	
D548,699	S *	8/2007	Eto et al. D13/120
D554,587	S	11/2007	Miyamoto et al.	
D556,130	S	11/2007	Tajima et al.	

D556,687	S *	12/2007	Miyamoto et al. D13/119
D558,671	S	1/2008	Chen et al.	
D572,190	S *	7/2008	Chen et al. D13/120
D573,099	S	7/2008	Wu	
D582,844	S *	12/2008	Tanaka D13/103
D590,335	S *	4/2009	Tatehata et al. D13/103
D590,341	S *	4/2009	Tatehata et al. D13/119
D592,136	S *	5/2009	Chu et al. D13/120
D596,129	S *	7/2009	Huang et al. D13/147
D596,130	S	7/2009	Chen et al.	
2005/0042502	A1 *	2/2005	Becker 429/99

* cited by examiner

Primary Examiner—Rosemary K Tarcza

(74) *Attorney, Agent, or Firm*—Cooley LLP

(57) **CLAIM**

The ornamental design for a terminal connector, as shown and described.

DESCRIPTION

FIG. 1 is a right side perspective view of the terminal connector;

FIG. 2 is a left side perspective view of the terminal connector illustrated in FIG. 1;

FIG. 3 is a rear end view of the terminal connector illustrated in FIG. 1;

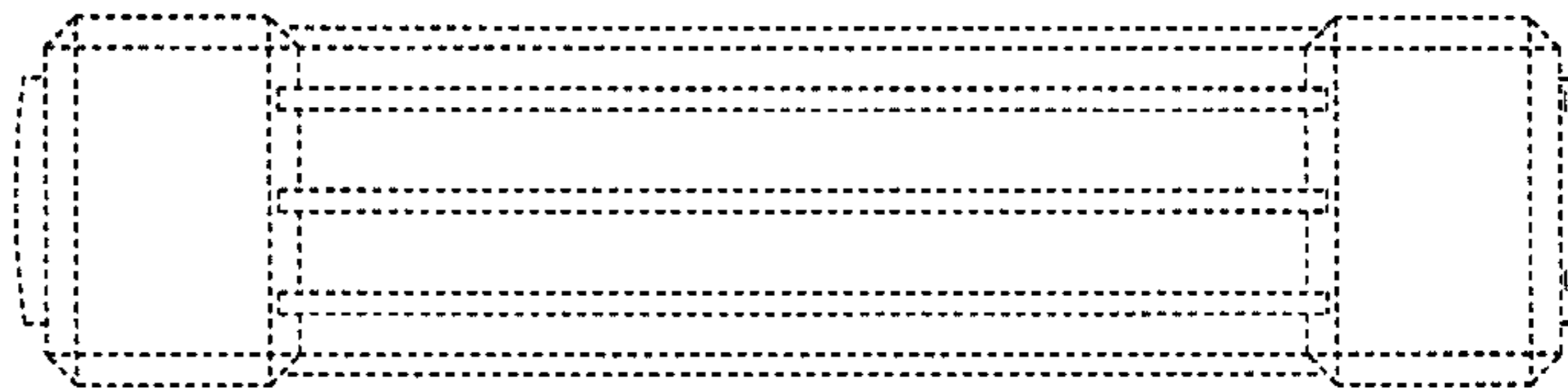
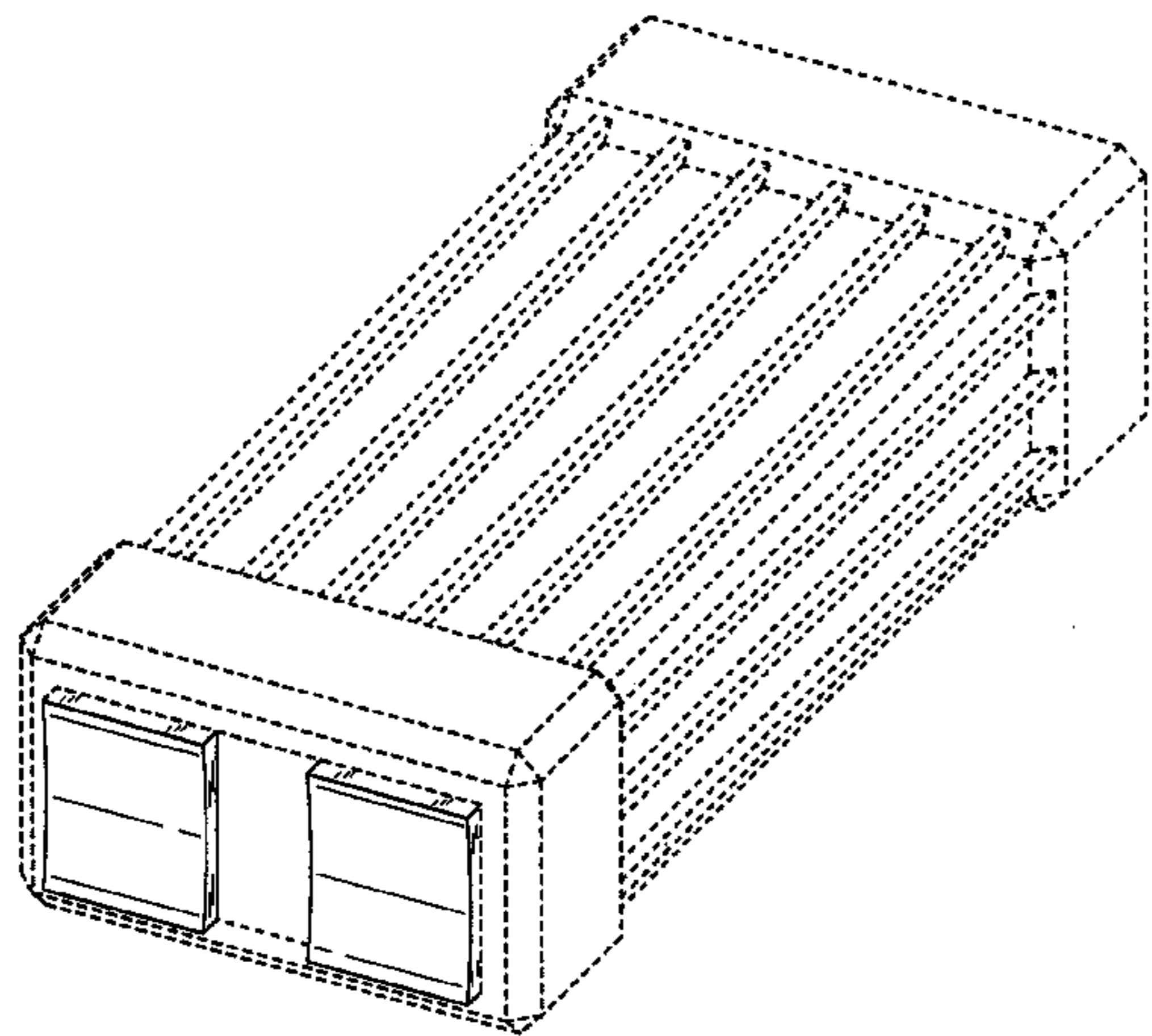
FIG. 4 is a front end view of the terminal connector illustrated in FIG. 1;

FIG. 5 is a left side view of the terminal connector illustrated in FIG. 1, the right side view being a mirror image thereof; and,

FIG. 6 is a top view of the terminal connector illustrated in FIG. 1, the bottom view being a mirror image thereof.

The portions of the device depicted in broken lines are for illustrative purposes only and form no part of the claimed design.

1 Claim, 5 Drawing Sheets



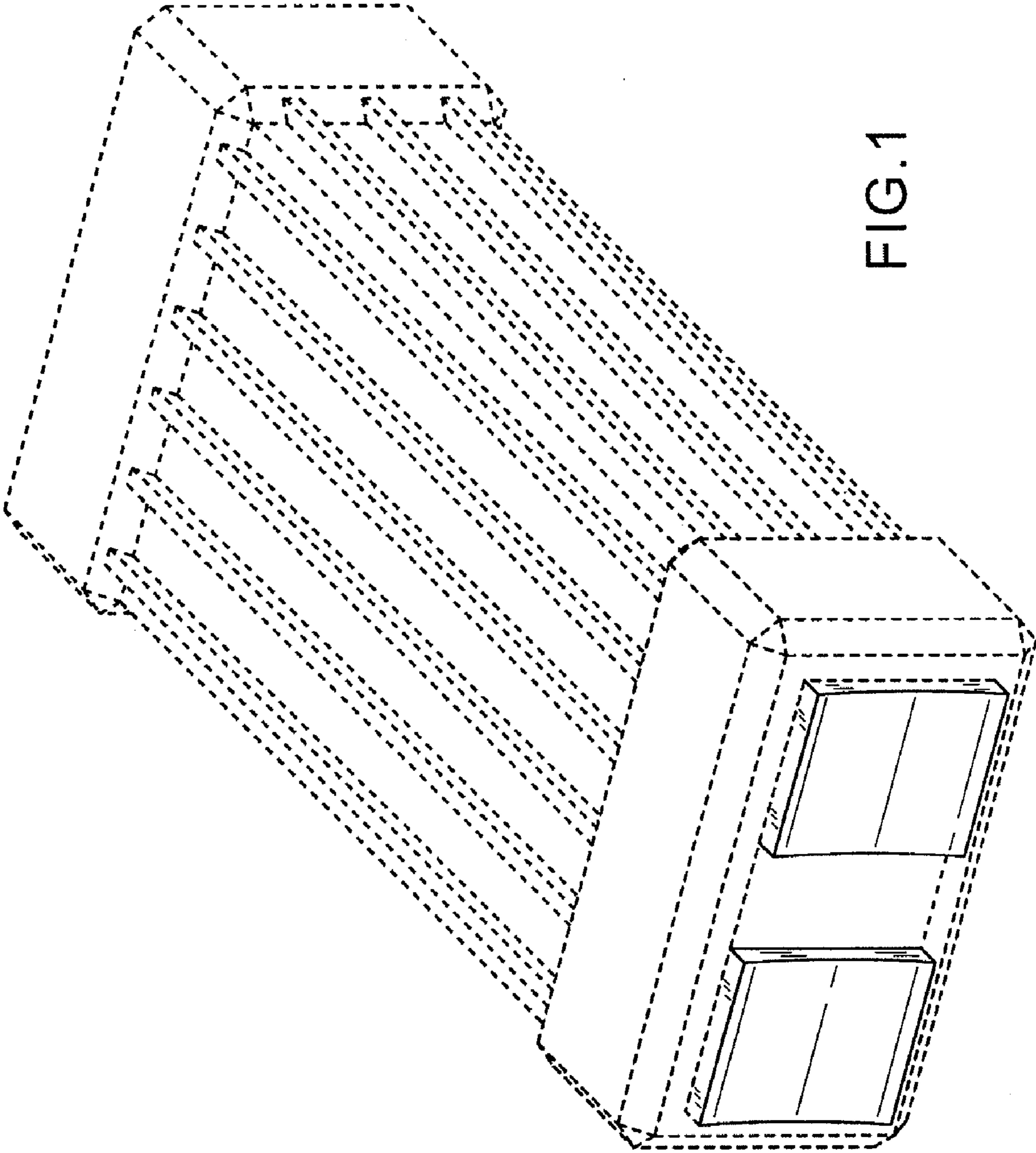


FIG.1

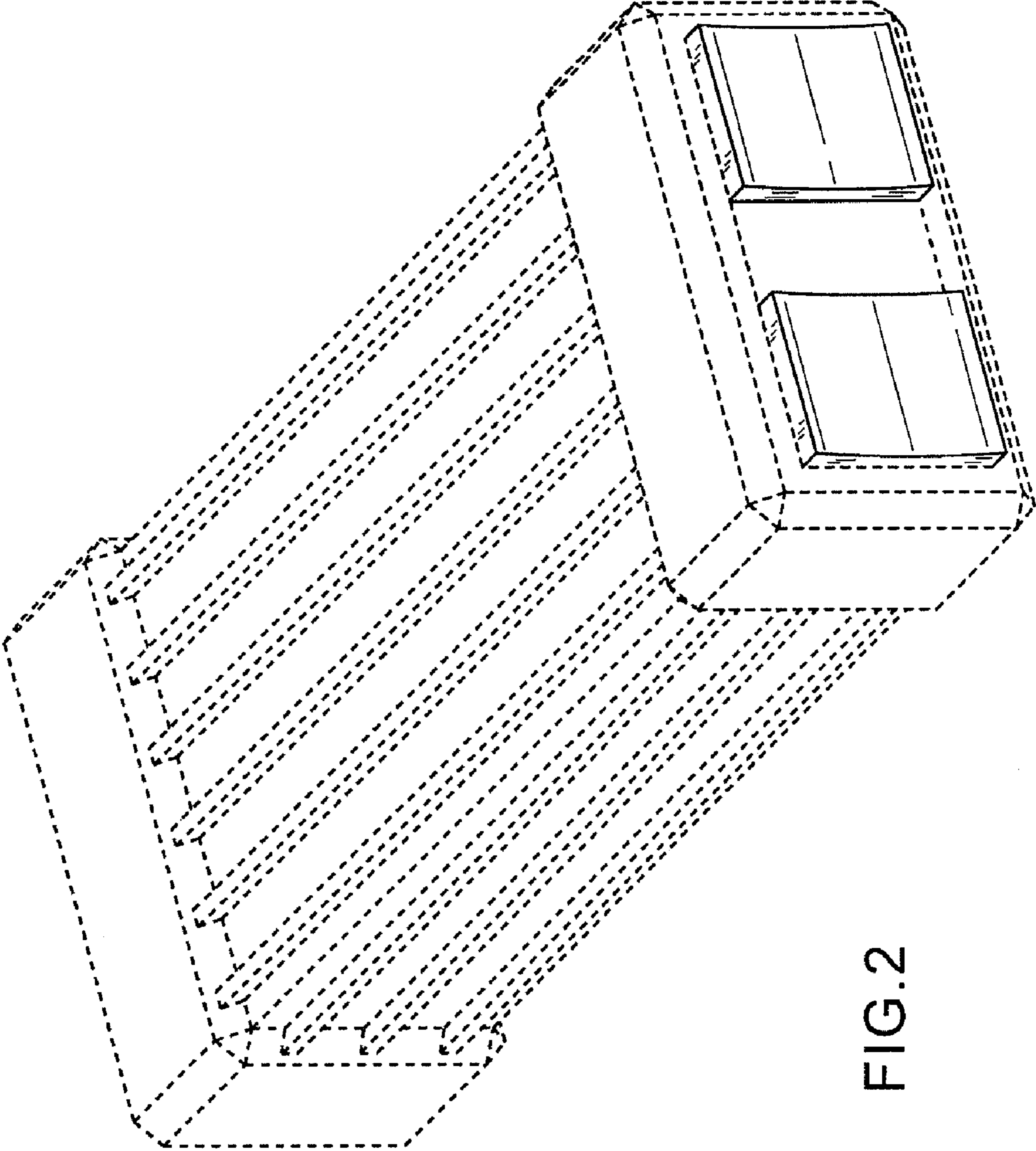


FIG. 2

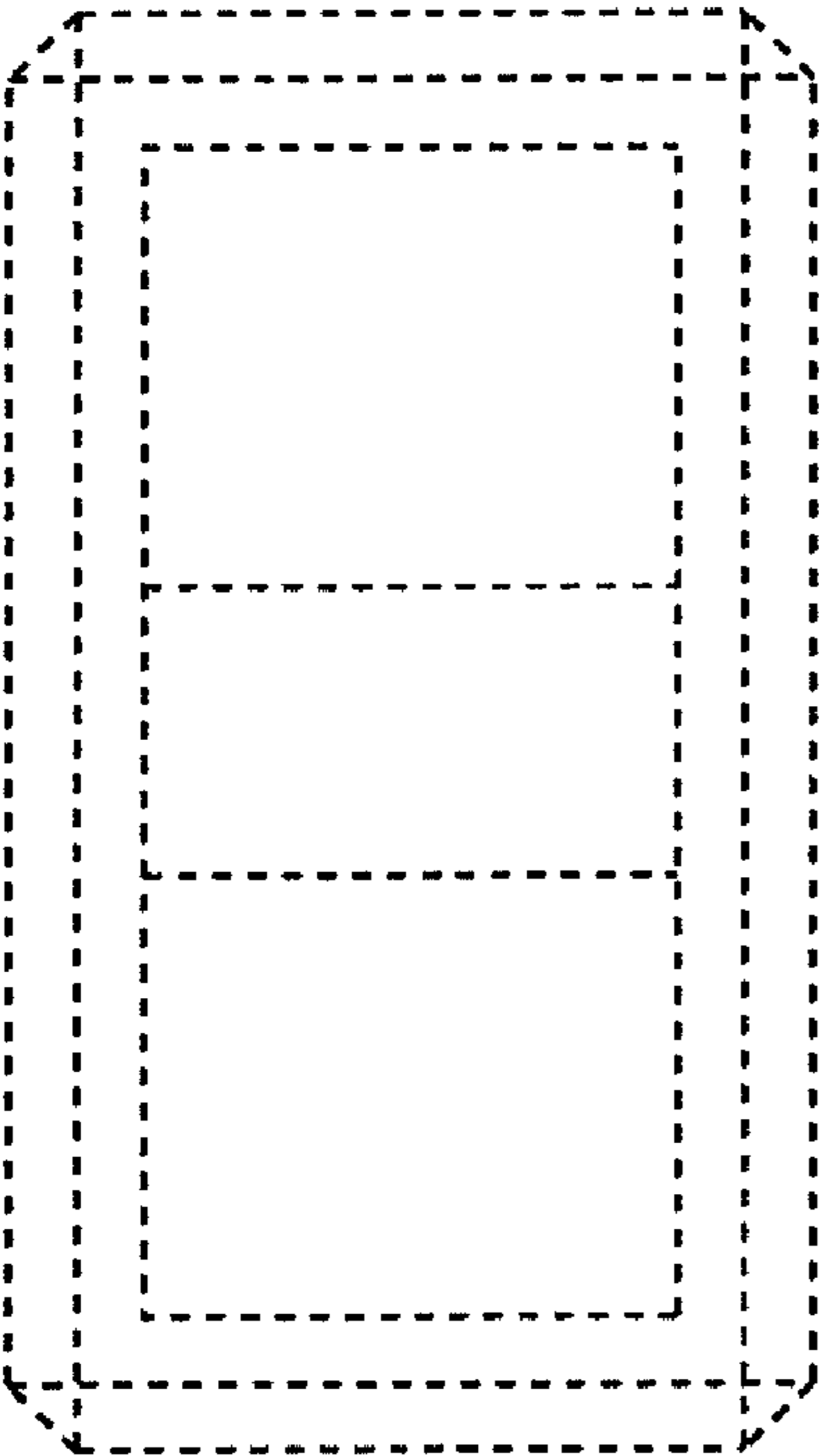


FIG. 3

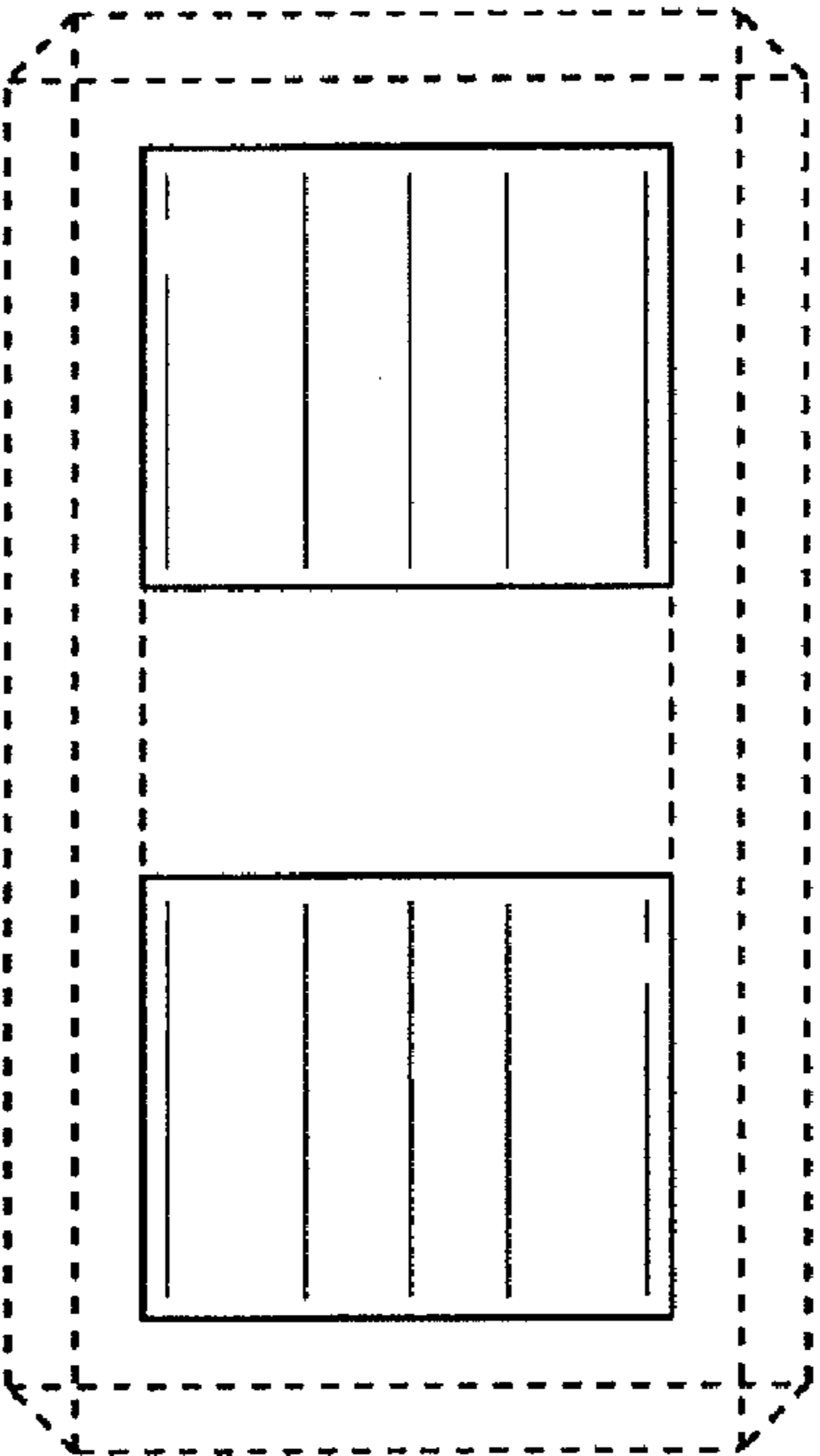


FIG. 4

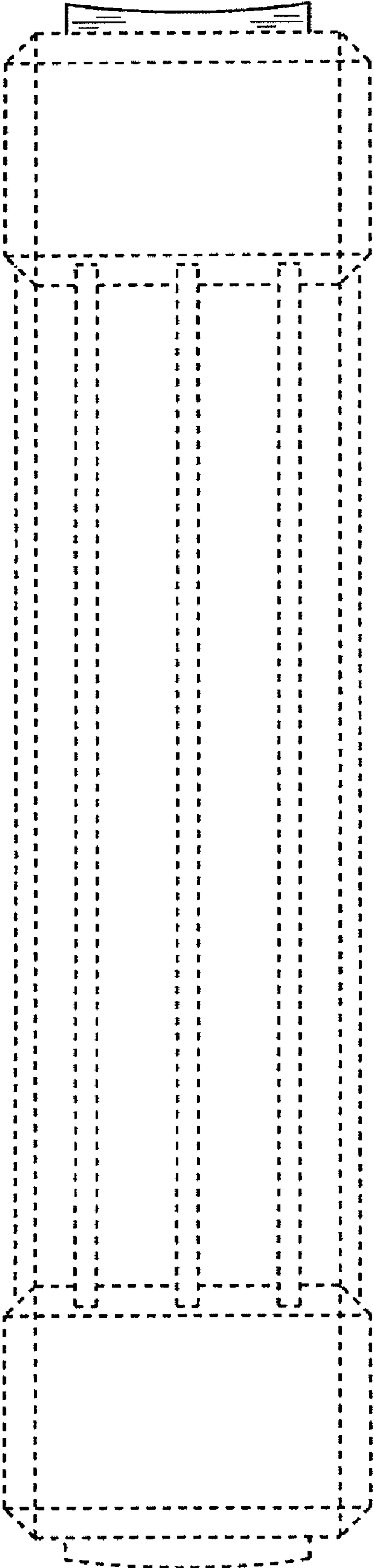


FIG. 5

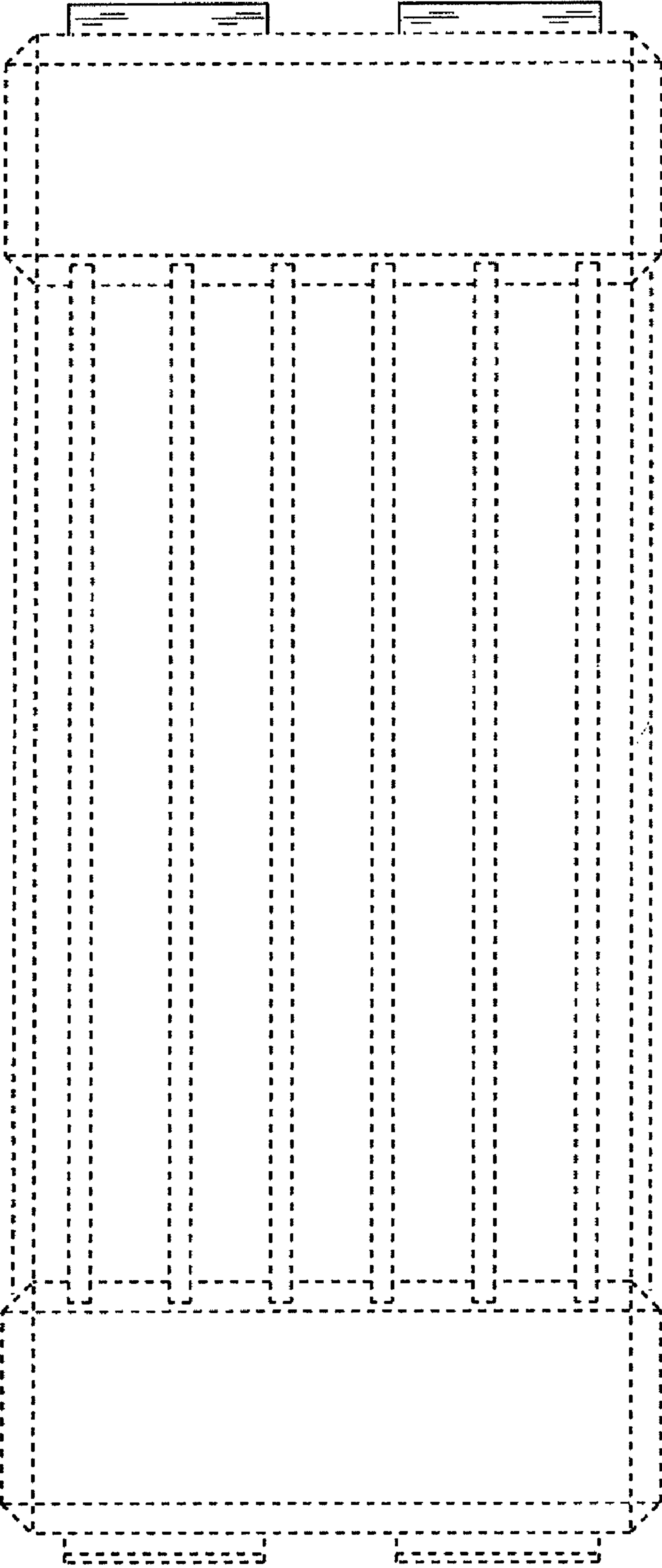


FIG.6