



US00D619089S

(12) **United States Design Patent**
Chen

(10) **Patent No.:** **US D619,089 S**

(45) **Date of Patent:** **** Jul. 6, 2010**

(54) **SOLAR POWERED FLASHLIGHT CASE**

(75) Inventor: **Chi Gon Chen**, Guang Zhou (CN)

(73) Assignee: **International Development LLC**,
Roanoke, TX (US)

(*) Notice: This patent is subject to a terminal disclaimer.

(**) Term: **14 Years**

(21) Appl. No.: **29/321,182**

(22) Filed: **Jul. 11, 2008**

(51) **LOC (9) Cl.** **13-02**

(52) **U.S. Cl.** **D13/102; D3/274; D3/295**

(58) **Field of Classification Search** D3/273–274,
D3/294–295, 276, 302; D9/418; D13/102,
D13/103; 206/320, 349, 701, 803
See application file for complete search history.

(56) **References Cited**

U.S. PATENT DOCUMENTS

D232,523 S *	8/1974	Nudell	D3/203.3
D253,438 S *	11/1979	Markley	D3/274
D287,906 S *	1/1987	Tsuji et al.	D3/200
D289,262 S *	4/1987	Goetz et al.	D9/420
D303,651 S *	9/1989	Strumor	D13/102
4,901,664 A *	2/1990	Labrecque	116/210
D333,385 S *	2/1993	Schmid	D3/295
5,758,769 A *	6/1998	Vasudeva	206/372
D401,763 S *	12/1998	Wolff	D3/273
D412,786 S *	8/1999	Killinger	D3/273
D469,955 S *	2/2003	Lauer	D3/294
D473,376 S *	4/2003	Abate	D3/294
D479,401 S *	9/2003	Claypool	D3/294
D496,585 S *	9/2004	McBride et al.	D9/423
D524,541 S *	7/2006	Cauley	D3/295

D525,488 S *	7/2006	McWhorter	D7/590
D582,842 S *	12/2008	Wei	D13/102
7,513,633 B2 *	4/2009	Ermeti	362/84
2002/0092792 A1 *	7/2002	Wolf, Jr.	206/579

* cited by examiner

Primary Examiner—Philip S Hyder

Assistant Examiner—Roselynn Cody

(74) *Attorney, Agent, or Firm*—David W. Carstens; Carstens & Cahoon, LLP

(57) **CLAIM**

The ornamental design for a solar powered flashlight case, as shown.

DESCRIPTION

FIG. 1 is a perspective view of the solar powered flashlight case of the present invention in an opened position;

FIG. 2 is an alternate perspective view thereof;

FIG. 3 is a top plan view thereof;

FIG. 4 is a front elevation view thereof;

FIG. 5 is a right side elevation view thereof;

FIG. 6 is a left side elevation view, thereof;

FIG. 7 is a perspective view of the solar powered flashlight case of the present invention in a closed position;

FIG. 8 is a top plan view thereof;

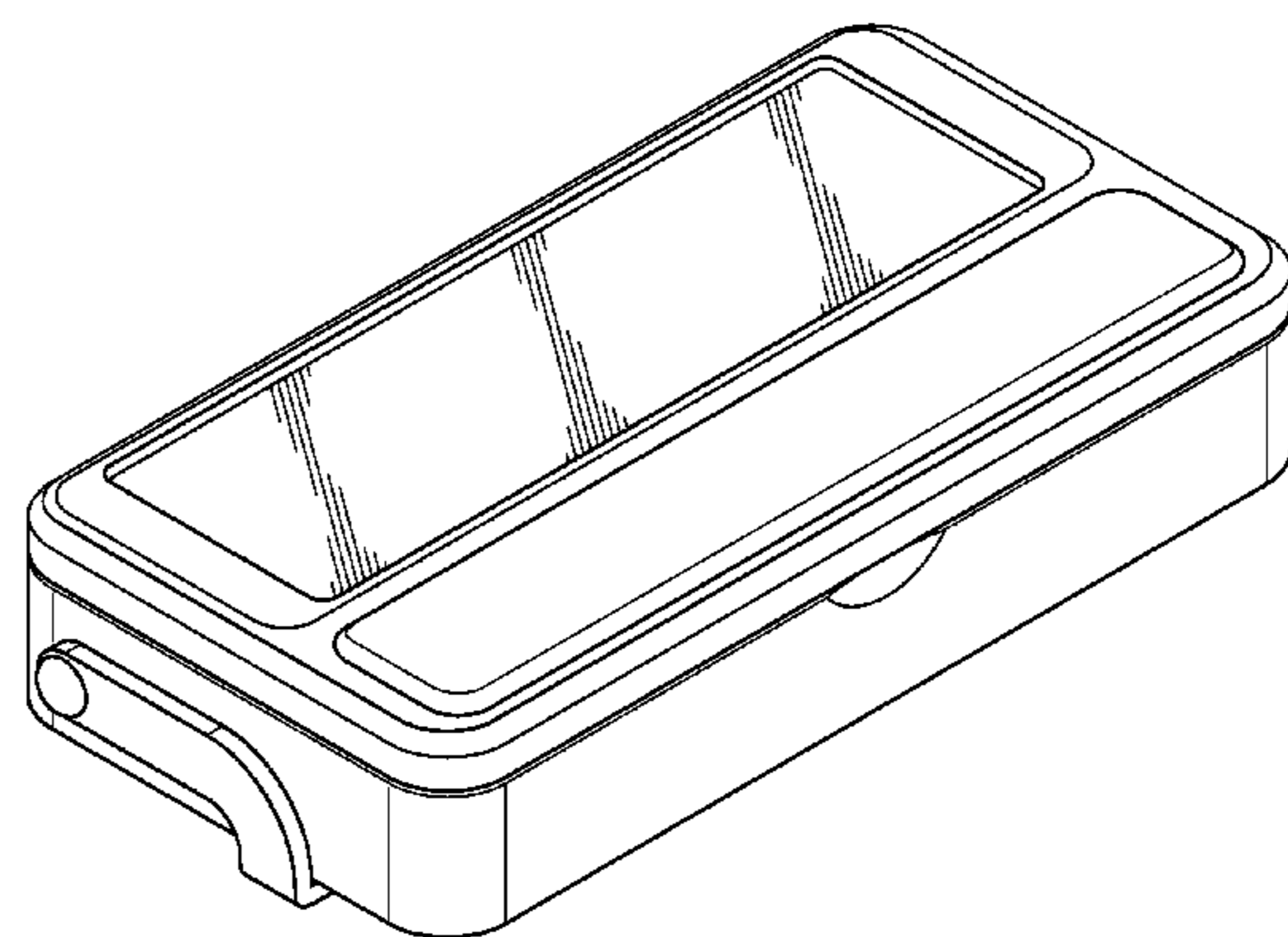
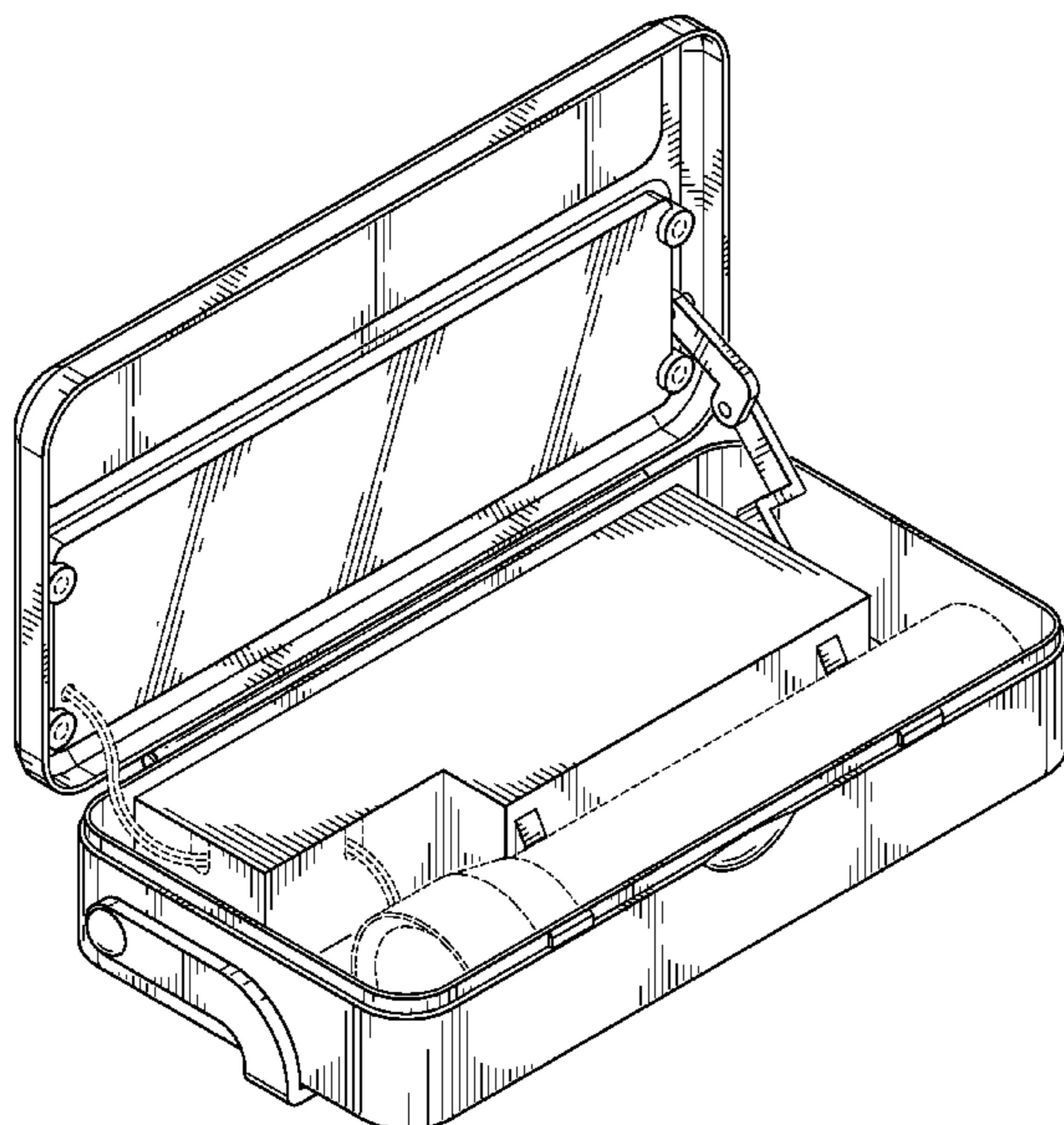
FIG. 9 is a front elevation view thereof;

FIG. 10 is a right side elevation view, the left side elevation view being a mirror image thereof; and,

FIG. 11 is a rear elevation view thereof.

The broken lines are shown in the views for illustrative purposes only and form no part of the claimed design.

1 Claim, 6 Drawing Sheets



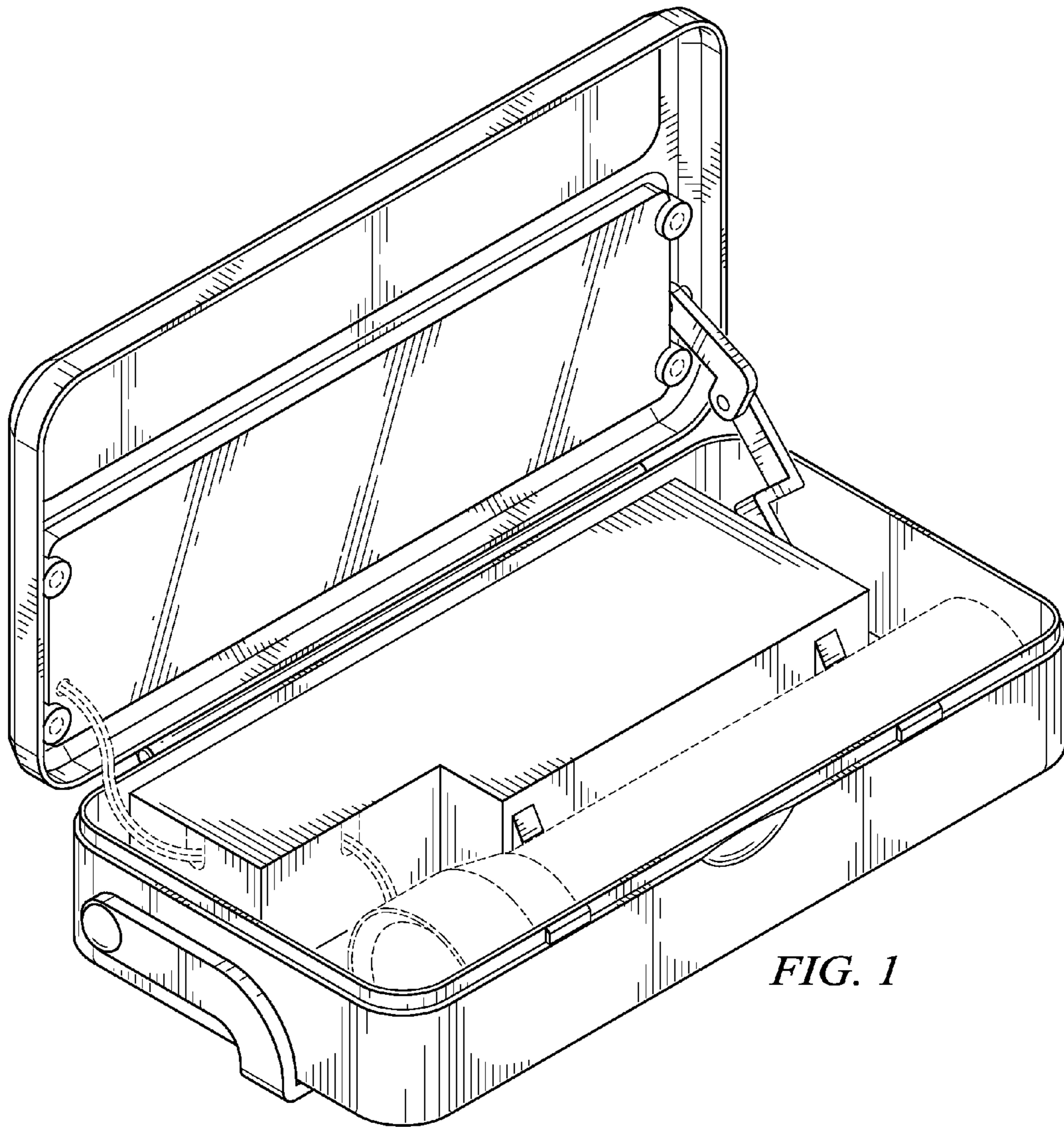


FIG. 1

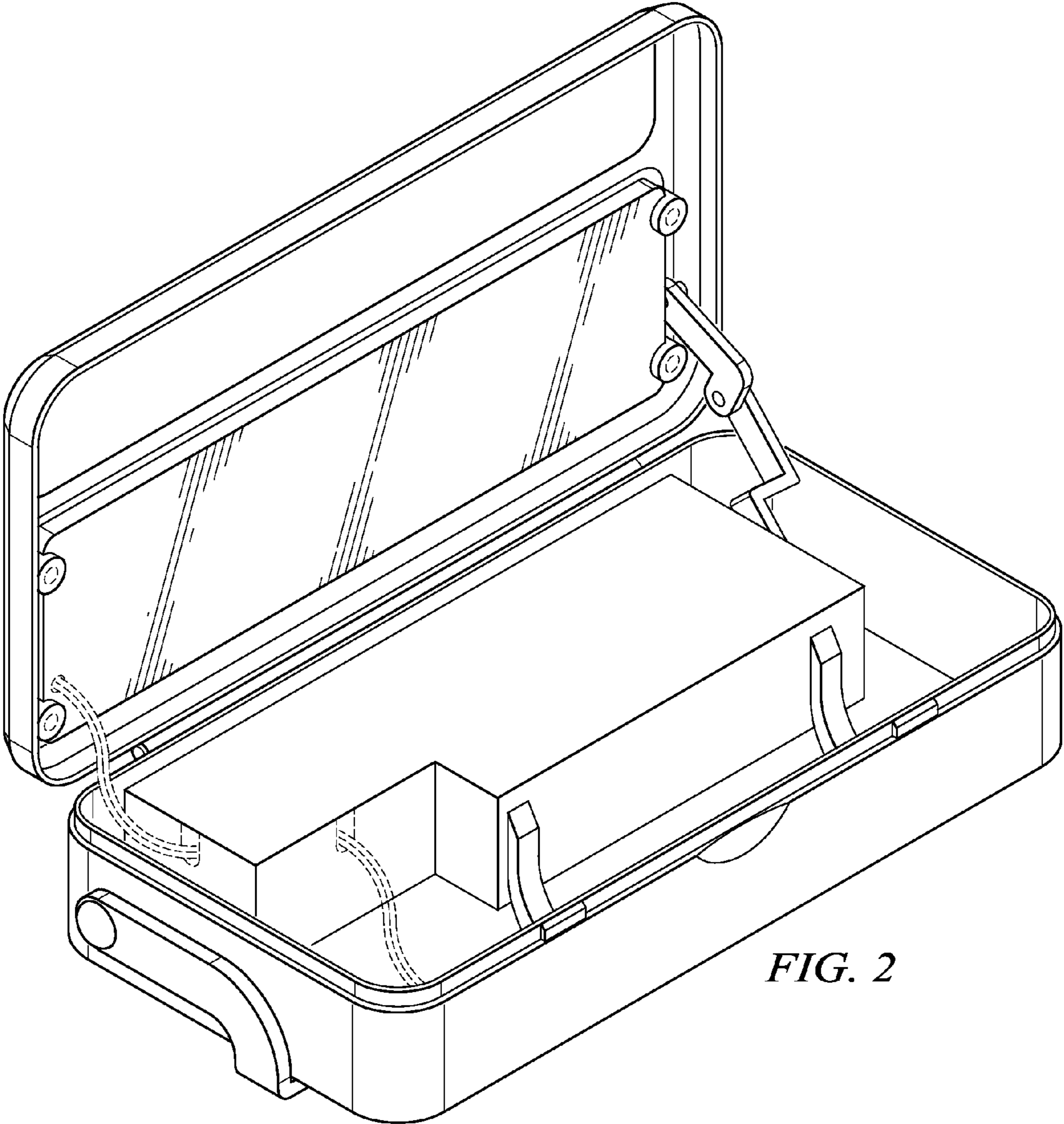


FIG. 2

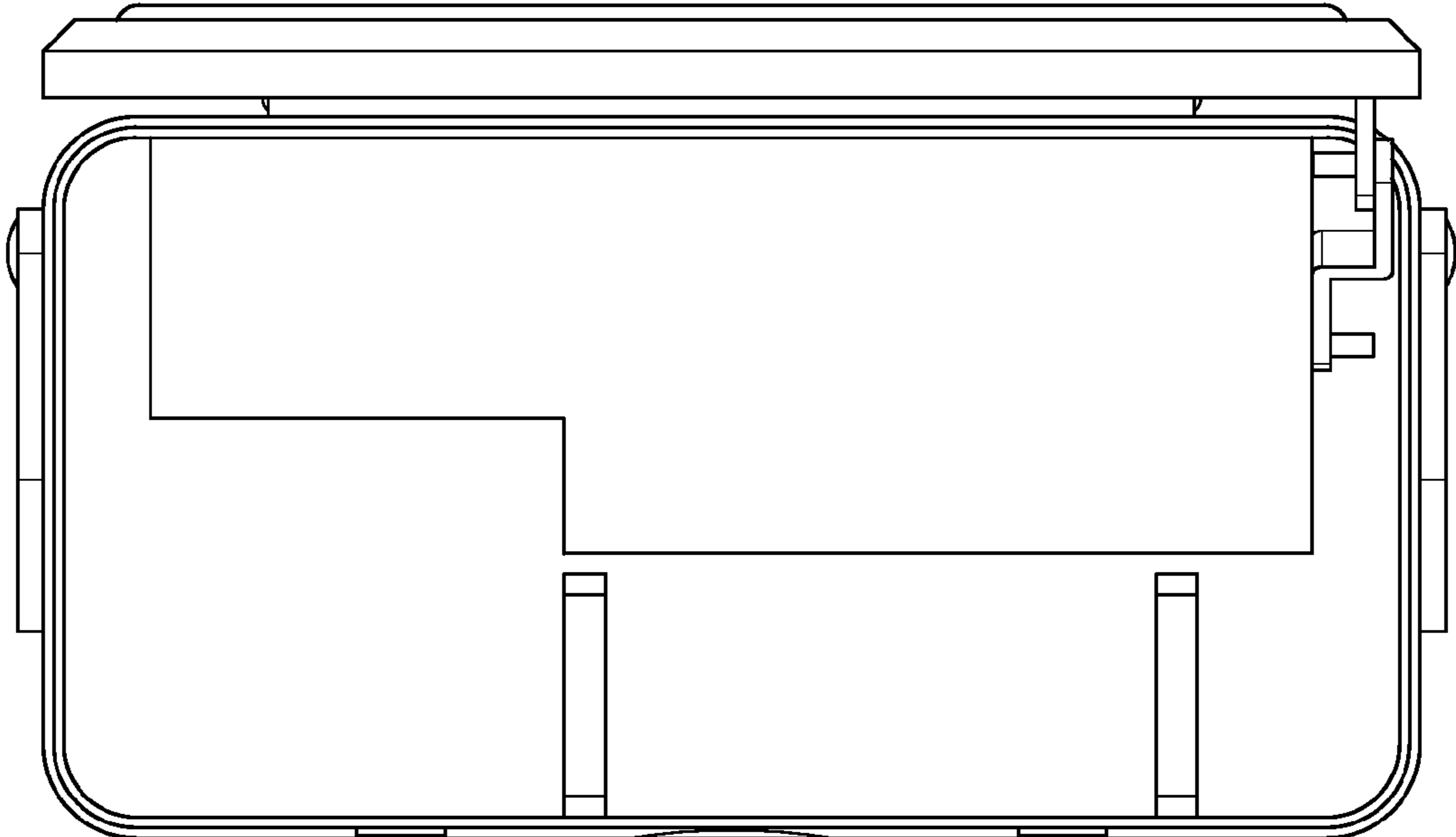


FIG. 3

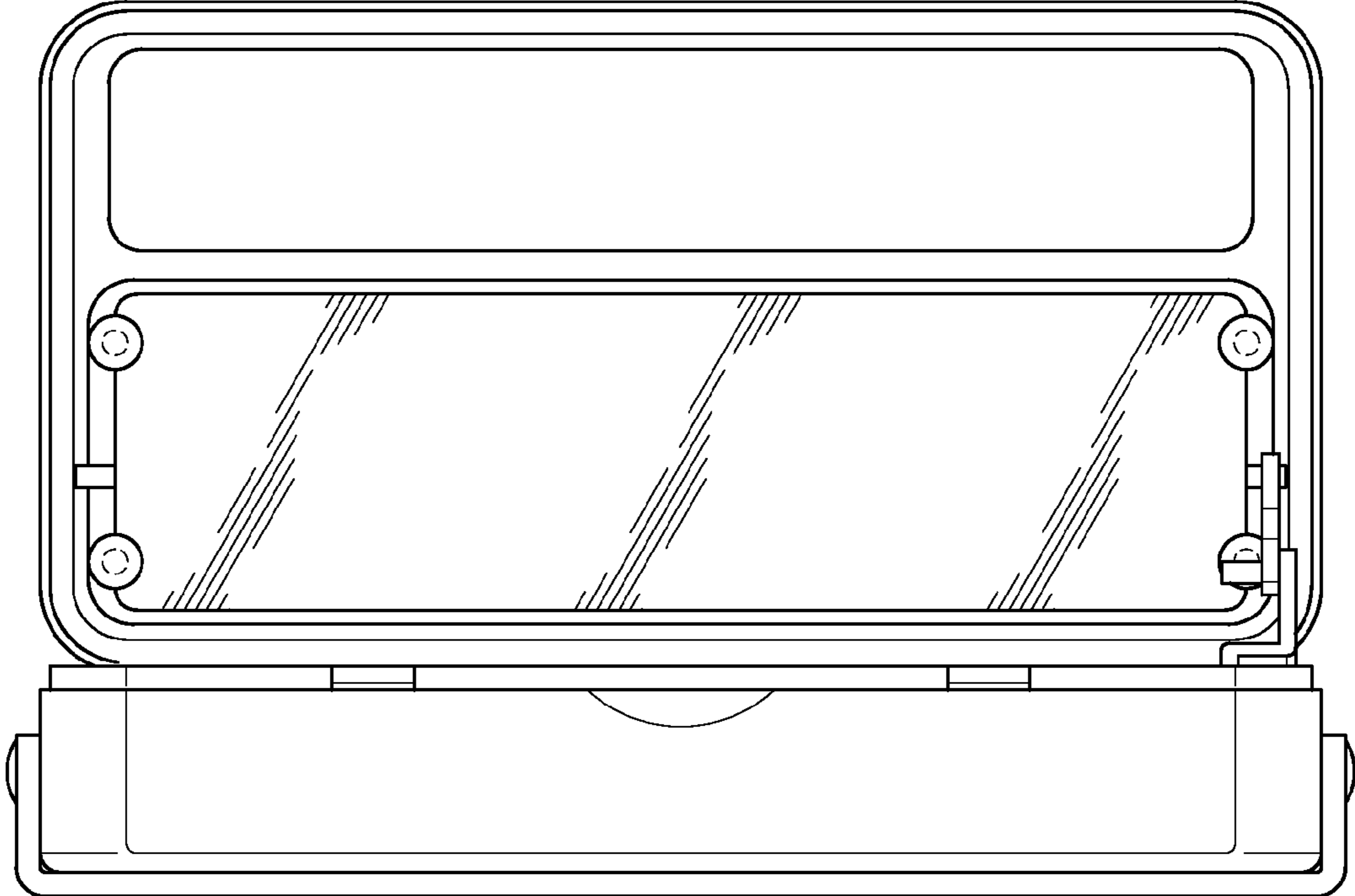


FIG. 4

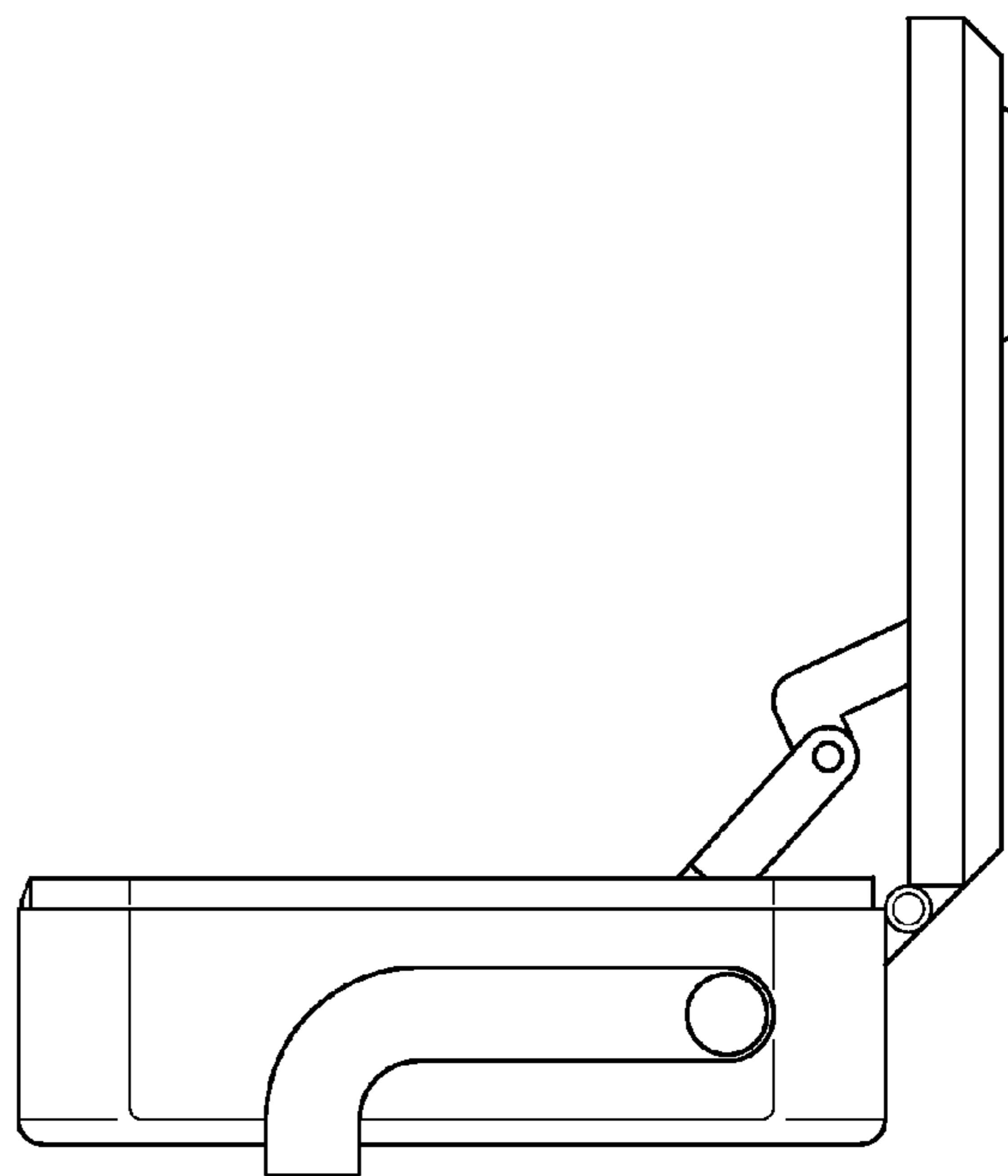


FIG. 5

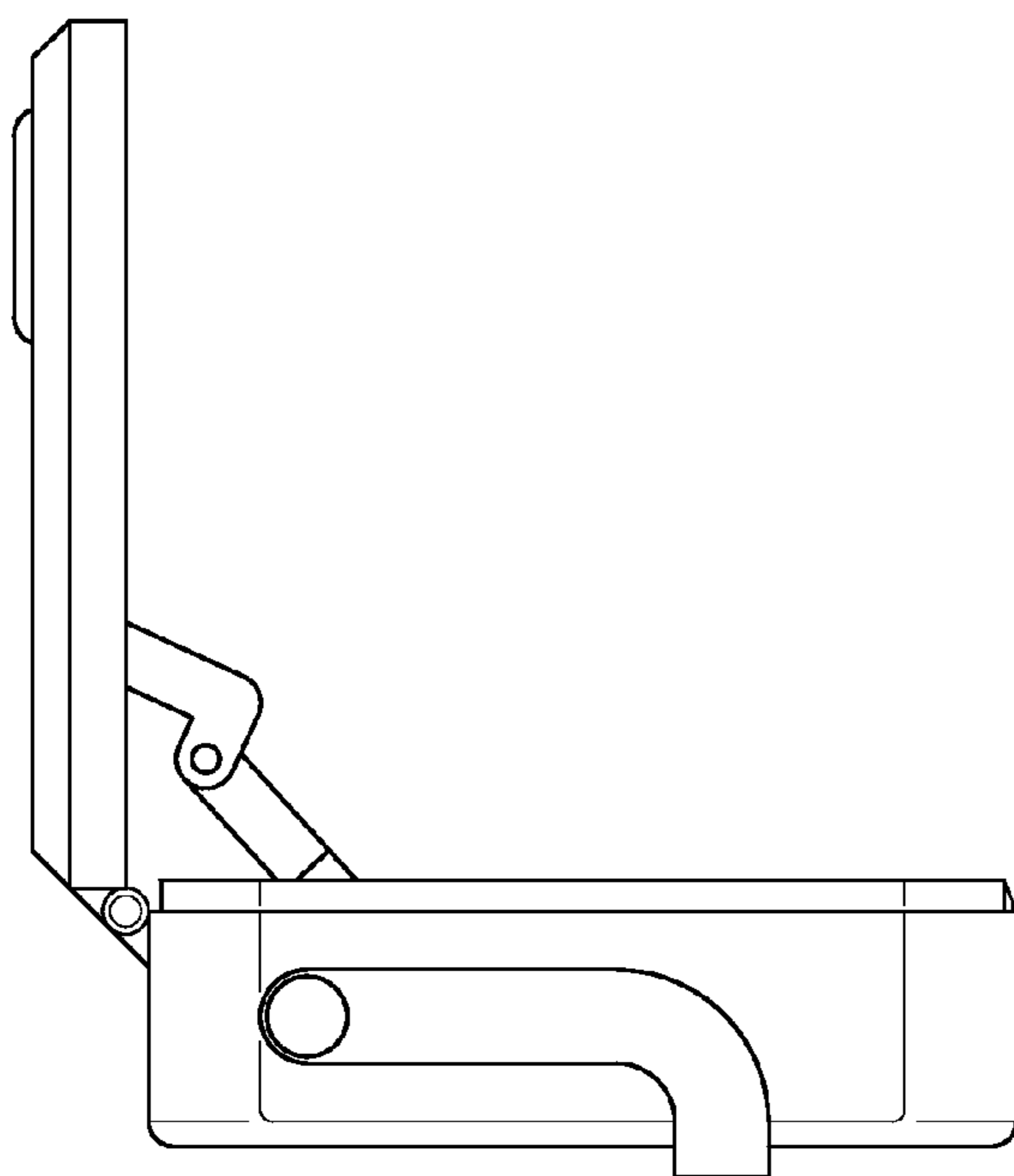


FIG. 6

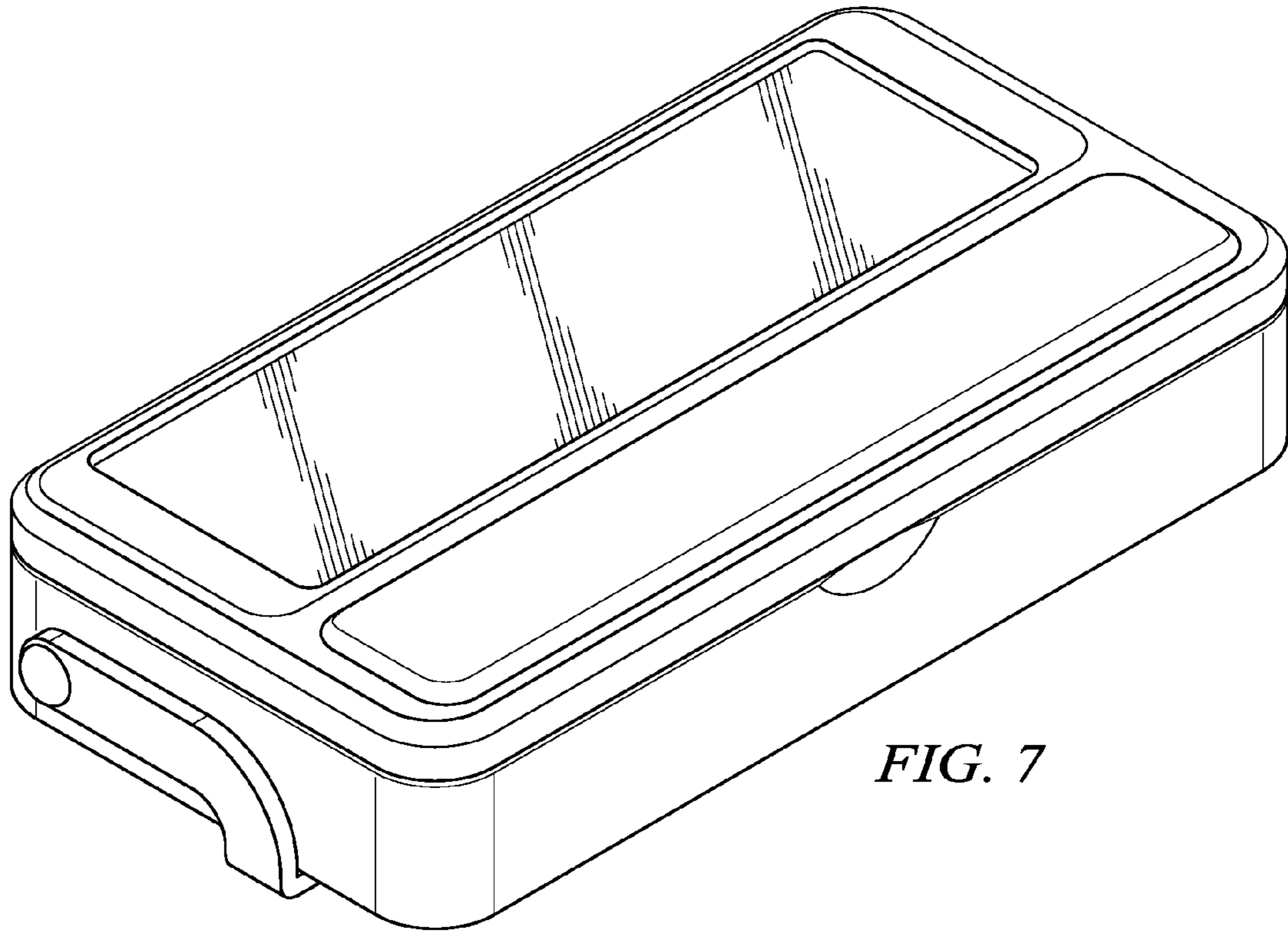


FIG. 7

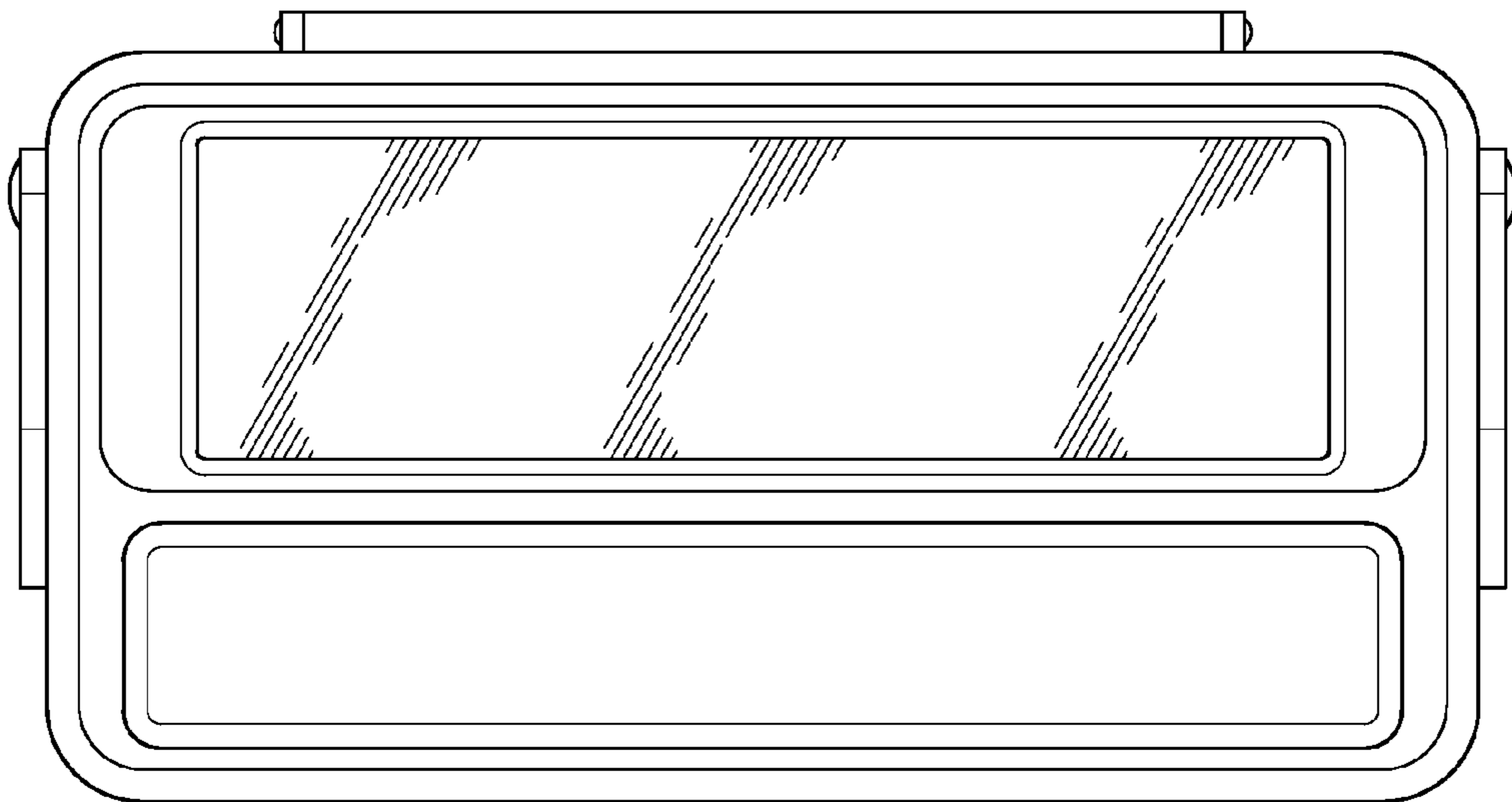


FIG. 8

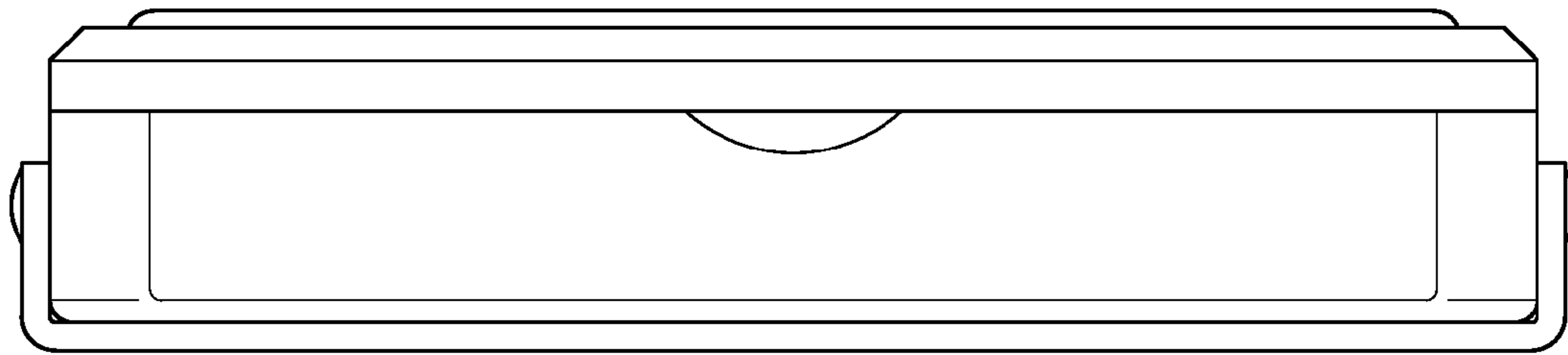


FIG. 9

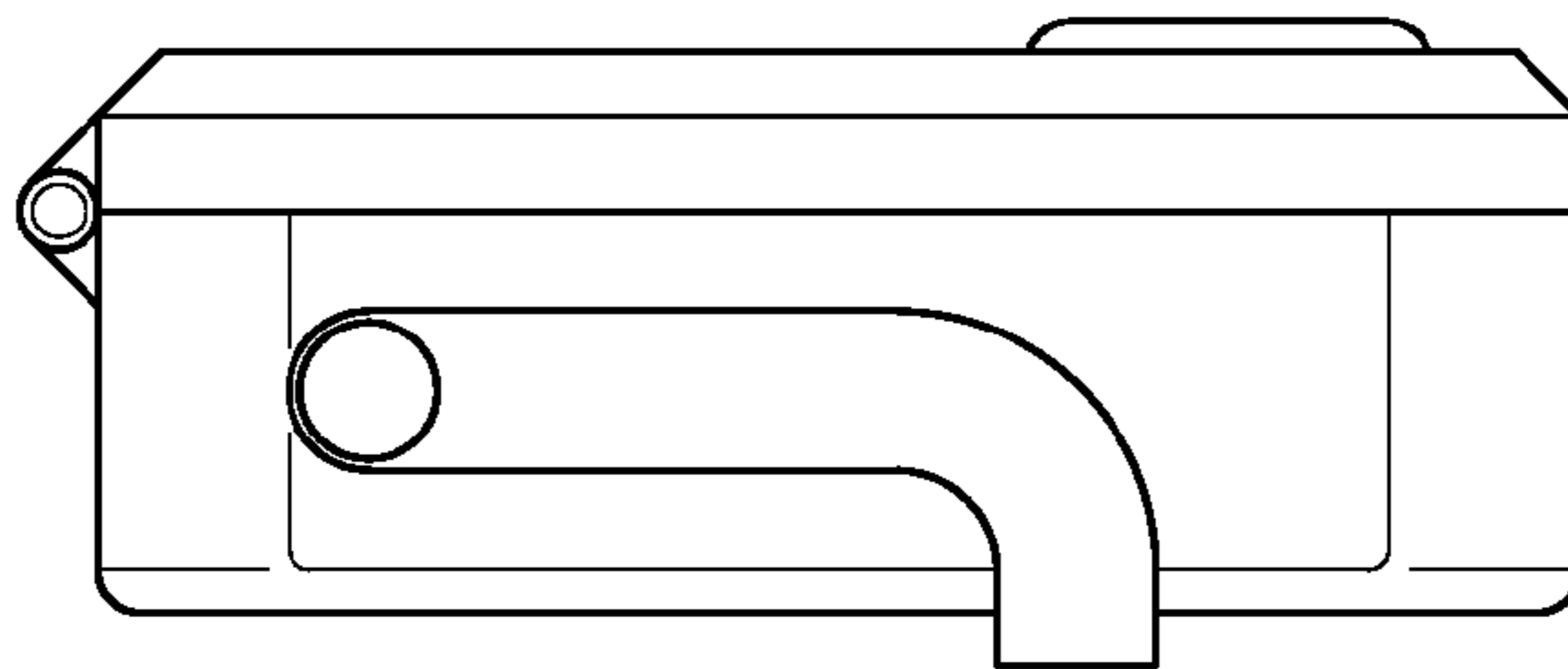


FIG. 10

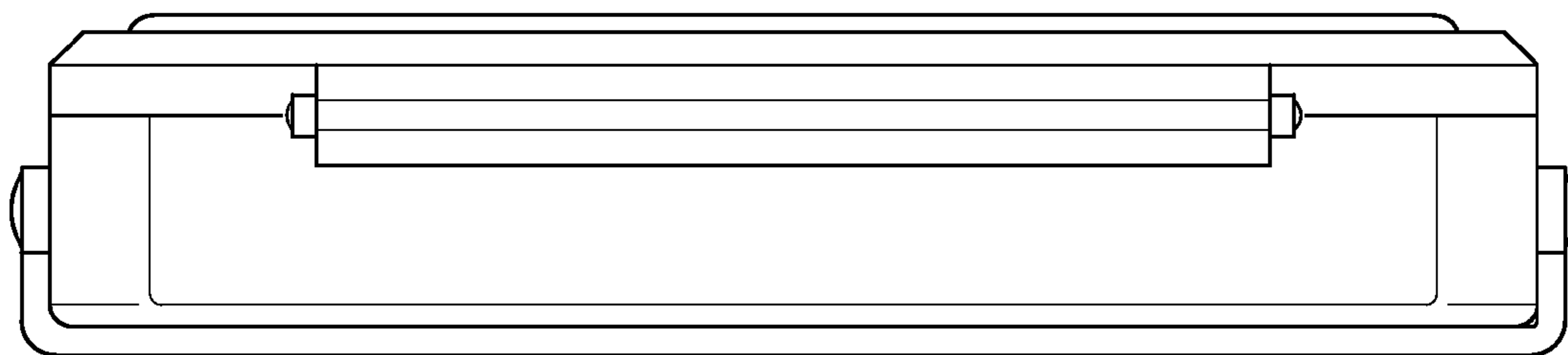


FIG. 11