



US00D619085S

(12) **United States Design Patent**
Murphy et al.

(10) **Patent No.:** **US D619,085 S**
(45) **Date of Patent:** **** Jul. 6, 2010**

(54) **TIRE**

(75) Inventors: **Daniel Thomas Murphy**, Mogadore, OH (US); **Richard Winfield Harden, Jr.**, Tallmadge, OH (US); **Walter Lee Welker**, Akron, OH (US)

(73) Assignee: **The Goodyear Tire & Rubber Company**, Akron, OH (US)

(**) Term: **14 Years**

(21) Appl. No.: **29/327,239**

(22) Filed: **Nov. 3, 2008**

(51) **LOC (9) Cl.** **12-15**

(52) **U.S. Cl.** **D12/591**

(58) **Field of Classification Search** D12/568-603;
152/209.1, 209.5, 209.8, 209.12, 209.18,
152/209.21, 209.9

See application file for complete search history.

(56) **References Cited**

U.S. PATENT DOCUMENTS

D370,439 S	6/1996	Feider et al.	D12/141
D384,313 S	9/1997	Harden, Jr.	D12/147
D385,234 S	10/1997	Young	D12/141
D385,235 S	10/1997	Young	D12/141
D388,030 S	12/1997	Schuster	D12/142
D388,369 S	12/1997	Harden, Jr.	D12/146
D388,370 S	12/1997	Young et al.	D12/146
D389,107 S	1/1998	Young	D12/147
D397,647 S	9/1998	Young	D12/146
D400,140 S *	10/1998	Graas	D12/552
D423,421 S	4/2000	Young	D12/142
D428,368 S	7/2000	Harris et al.	D12/142
D451,438 S	12/2001	Galante et al.	D12/146
D451,860 S	12/2001	Schuster et al.	D12/147
D455,120 S	4/2002	Dixon et al.	D12/598
D455,709 S	4/2002	Dixon et al.	D12/588
D456,769 S	5/2002	Dixon et al.	D12/600
D459,696 S	7/2002	Robert et al.	D12/594
D464,025 S	10/2002	Okano	D12/588
D492,646 S	7/2004	Robert et al.	D12/600

D502,444 S	3/2005	Wage	D12/588
D517,471 S	3/2006	Robert	D12/600
D517,978 S	3/2006	Robert	D12/600
D554,053 S *	10/2007	Feider et al.	D12/588

(Continued)

Primary Examiner—Caron Veynar

Assistant Examiner—George D Kirschbaum

(74) *Attorney, Agent, or Firm*—Richard B. O’Planick

(57) **CLAIM**

The ornamental design for a tire, as shown and described.

DESCRIPTION

FIG. 1 is a perspective view of a tire showing our new design, it being understood that the pattern repeats uniformly throughout the circumference of the tread;

FIG. 2 is a front elevational view thereof;

FIG. 3 is a right side elevational view thereof; the opposite side elevational view being identical thereto;

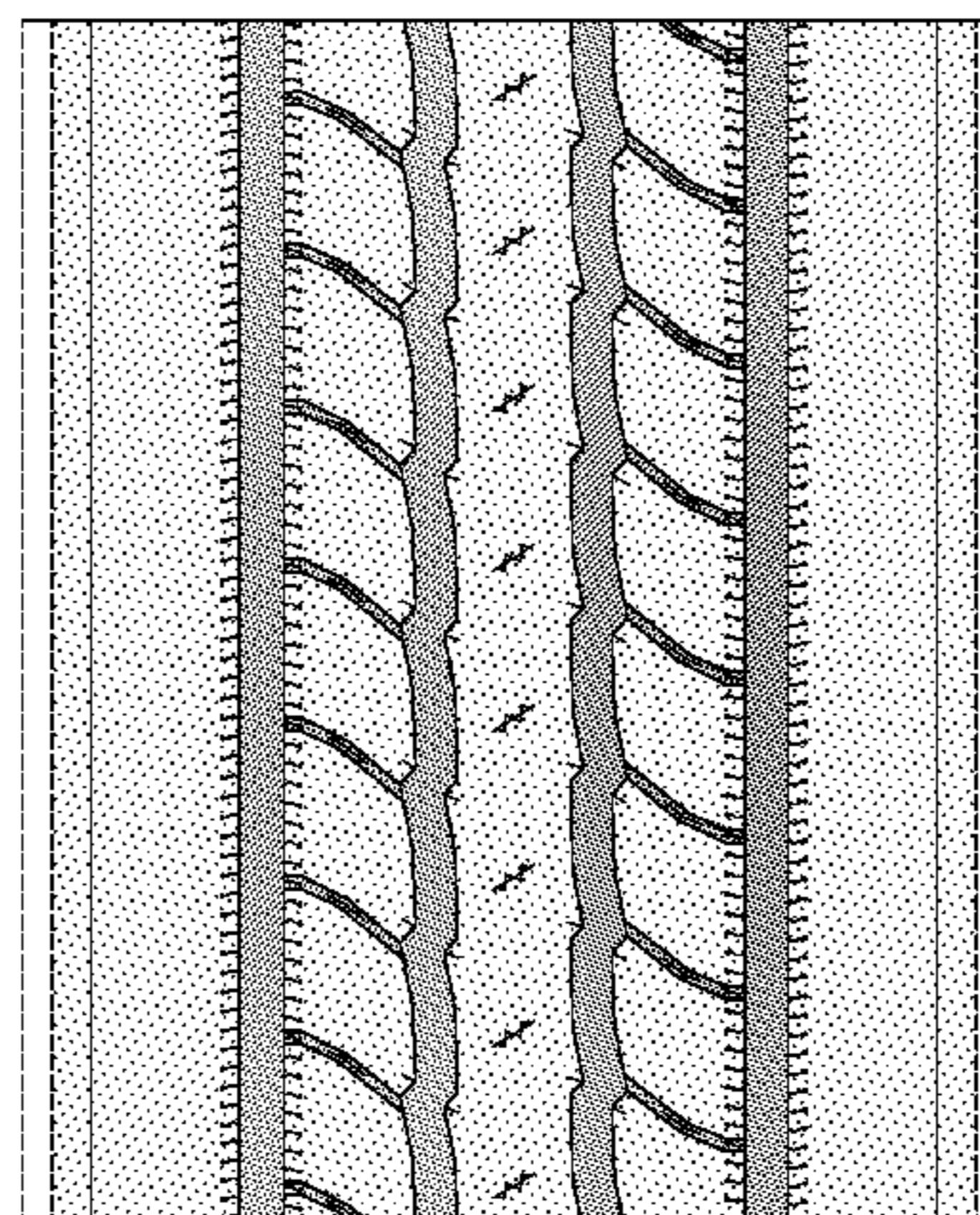
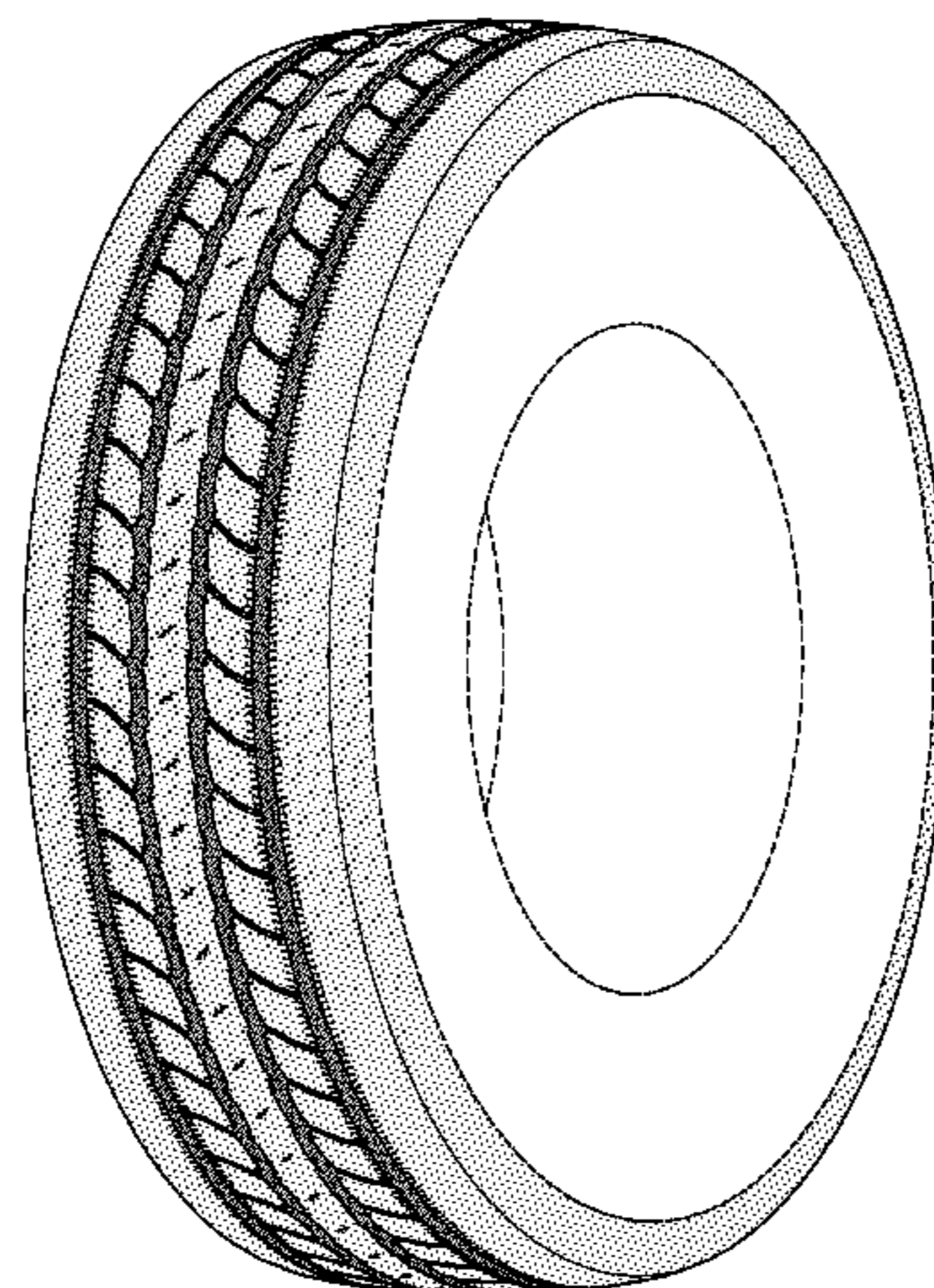
FIG. 4 is an enlarged fragmentary front elevational view thereof;

FIG. 5 is a perspective view of a second embodiment of a tire showing our new design, it being understood that the pattern repeats uniformly throughout the circumference of the tread and that the opposite side perspective view is identical thereto; and,

FIG. 6 is a front elevational view of a second embodiment, it being understood that an enlarged fragmentary view thereof would be substantially identical to that shown in FIG. 4, with the exception of the inclusion of the sidewall in solid lines.

In the drawings, the broken line showing of the sidewall, inner bead and the peripheral boundary between the tire tread and the sidewall in FIGS. 1 through 4 depict environmental subject matter and form no part of the claimed design.

1 Claim, 6 Drawing Sheets



US D619,085 S

Page 2

U.S. PATENT DOCUMENTS

D559,770 S	1/2008	Blackiston et al.	D12/555	
D591,224 S *	4/2009	Ludwig et al.	D12/588	* cited by examiner
				D610,069 S * 2/2010 Shibano et al. D12/577

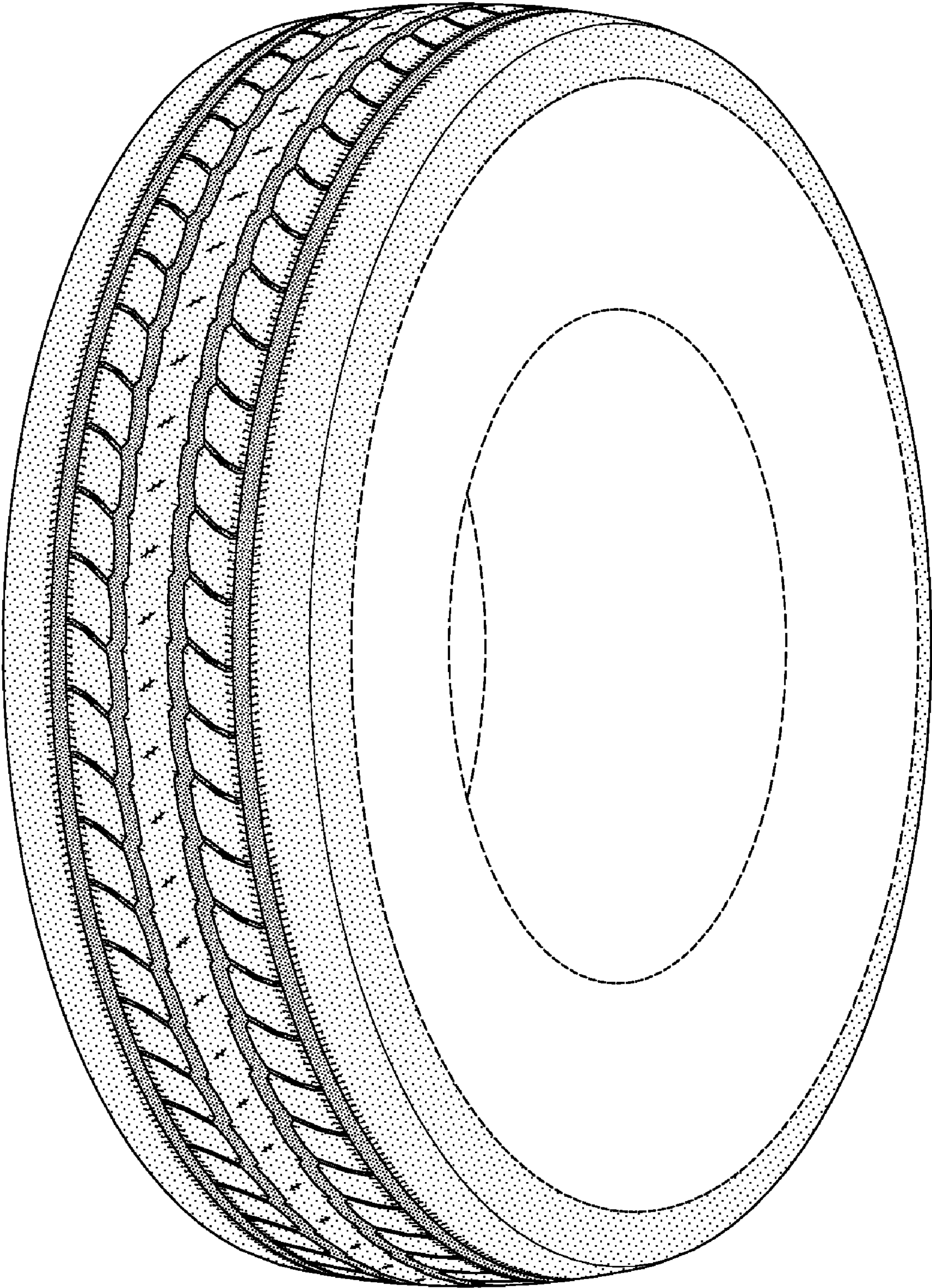


FIG-1

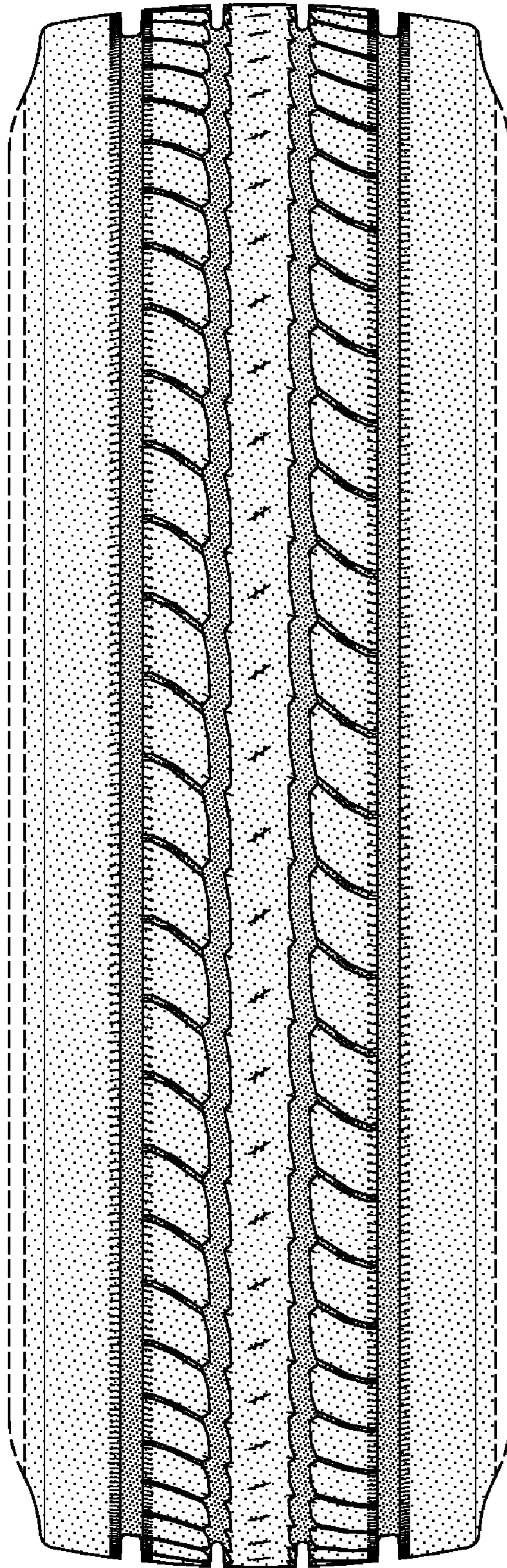


FIG-2

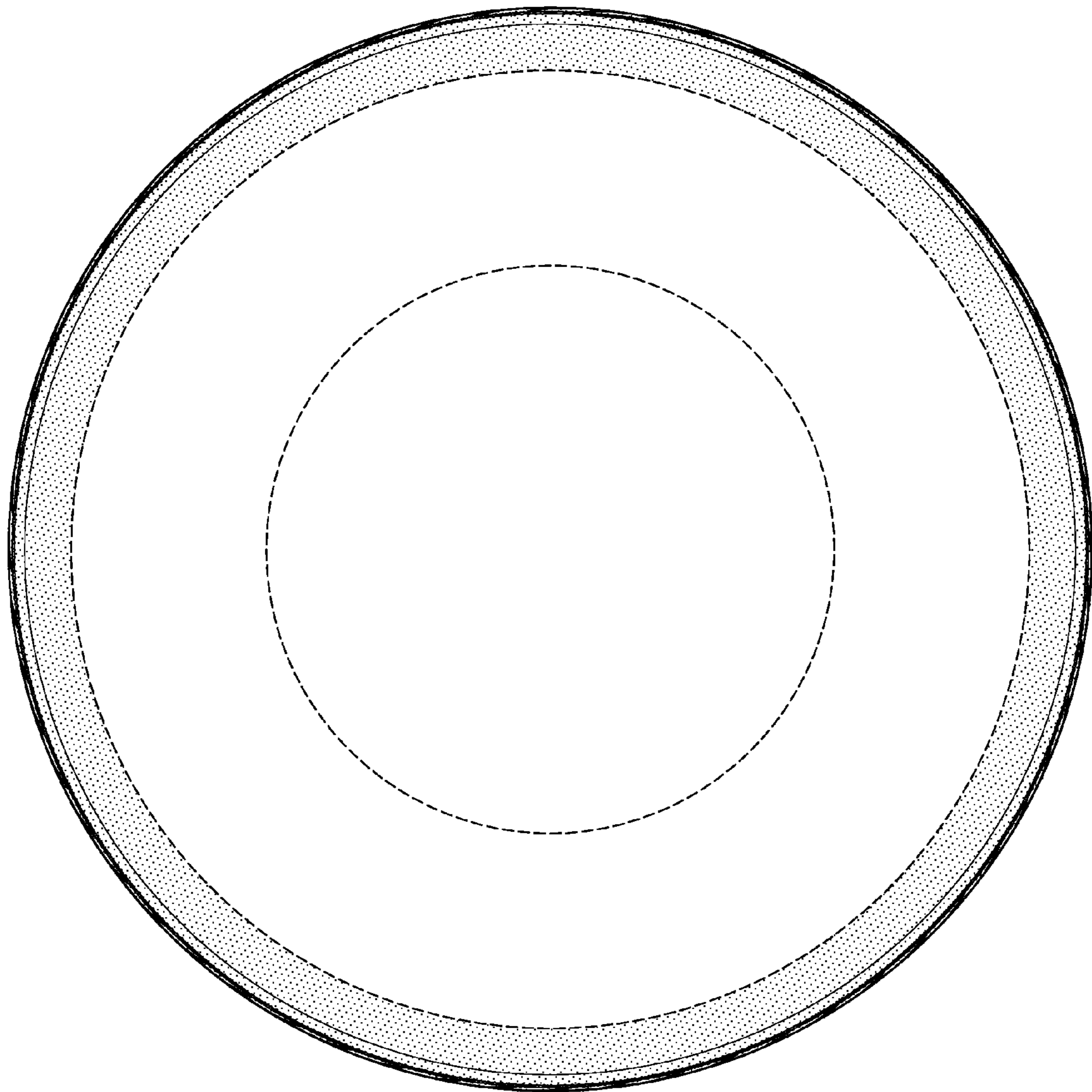


FIG-3

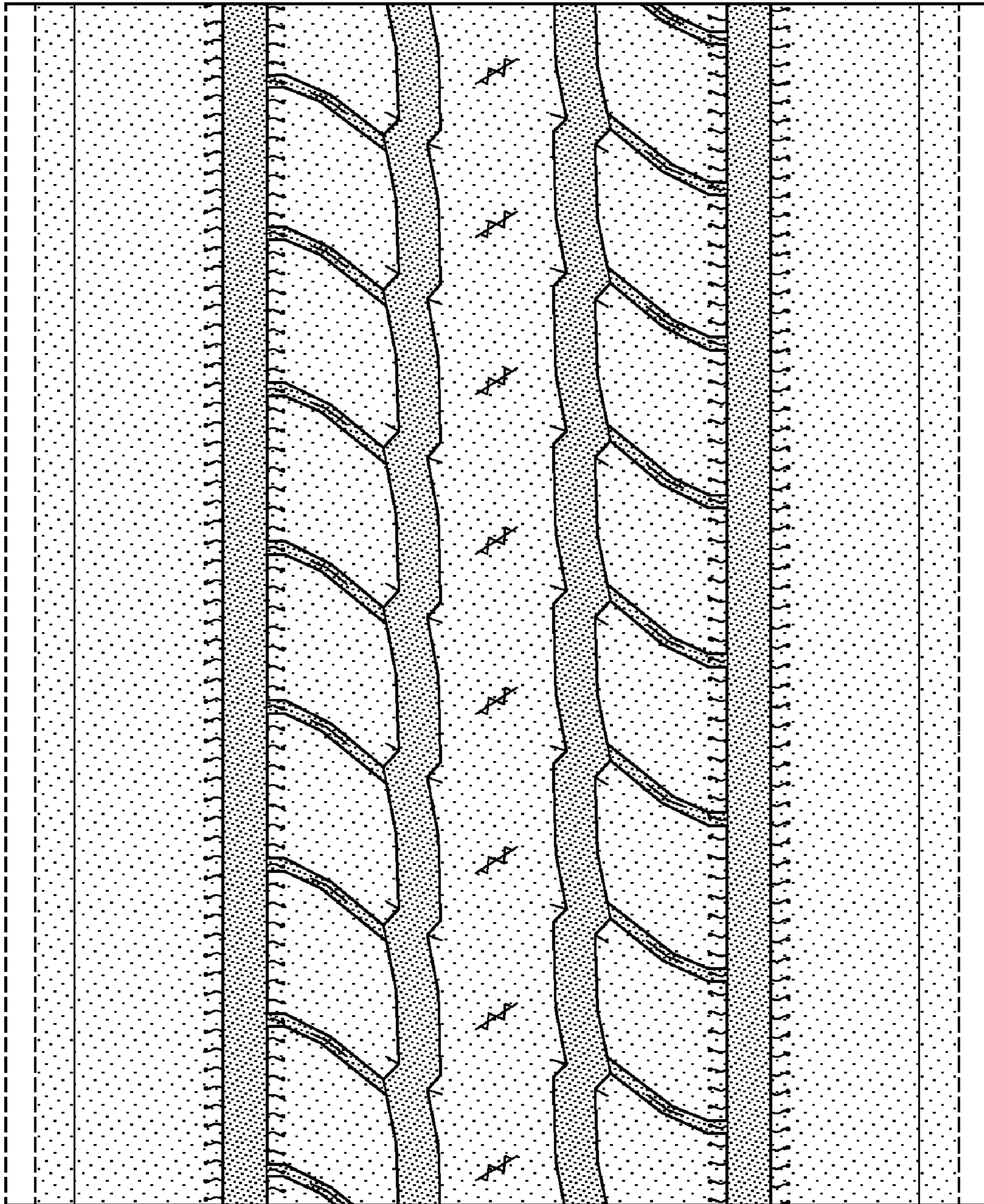


FIG-4

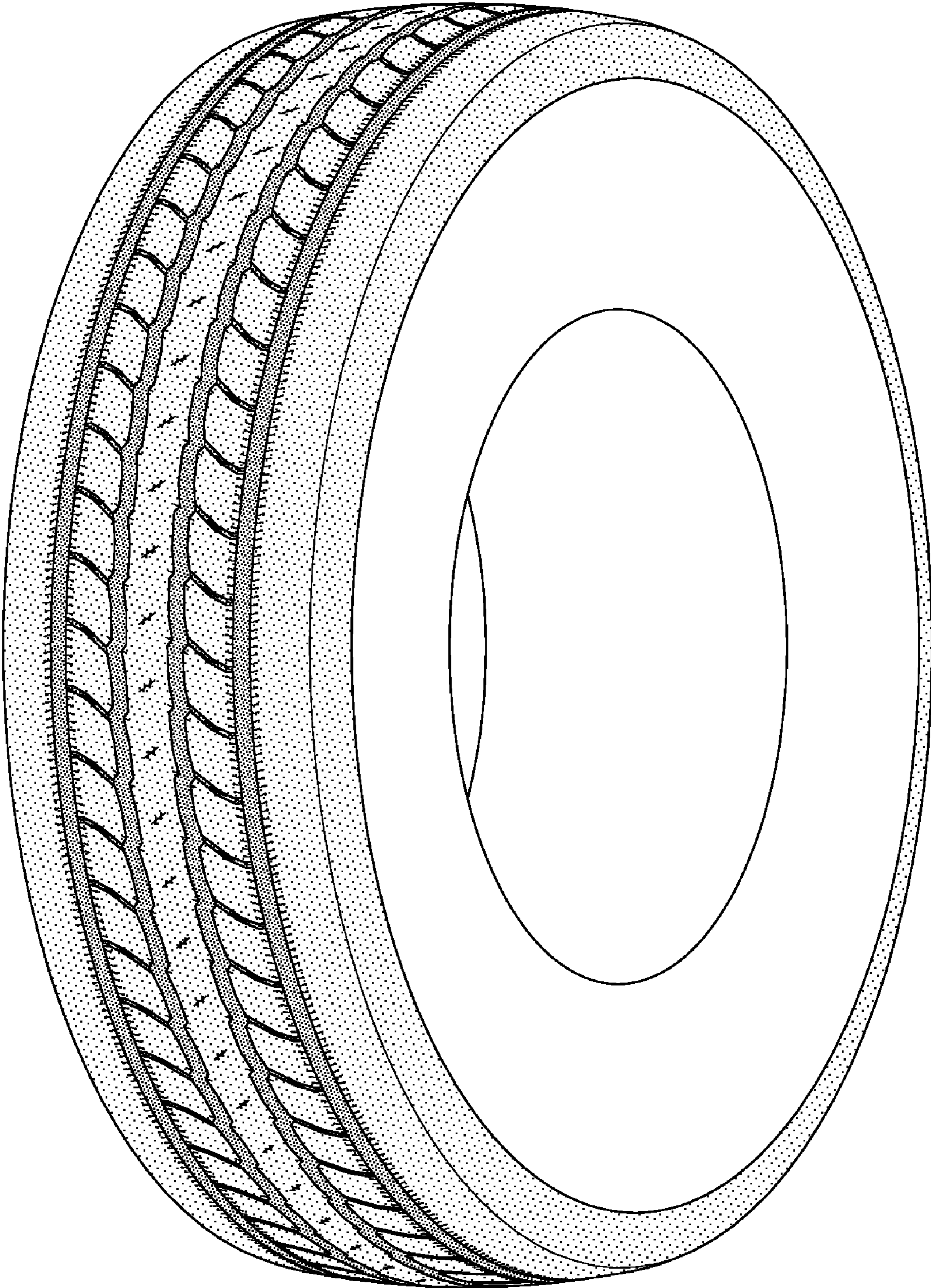


FIG-5

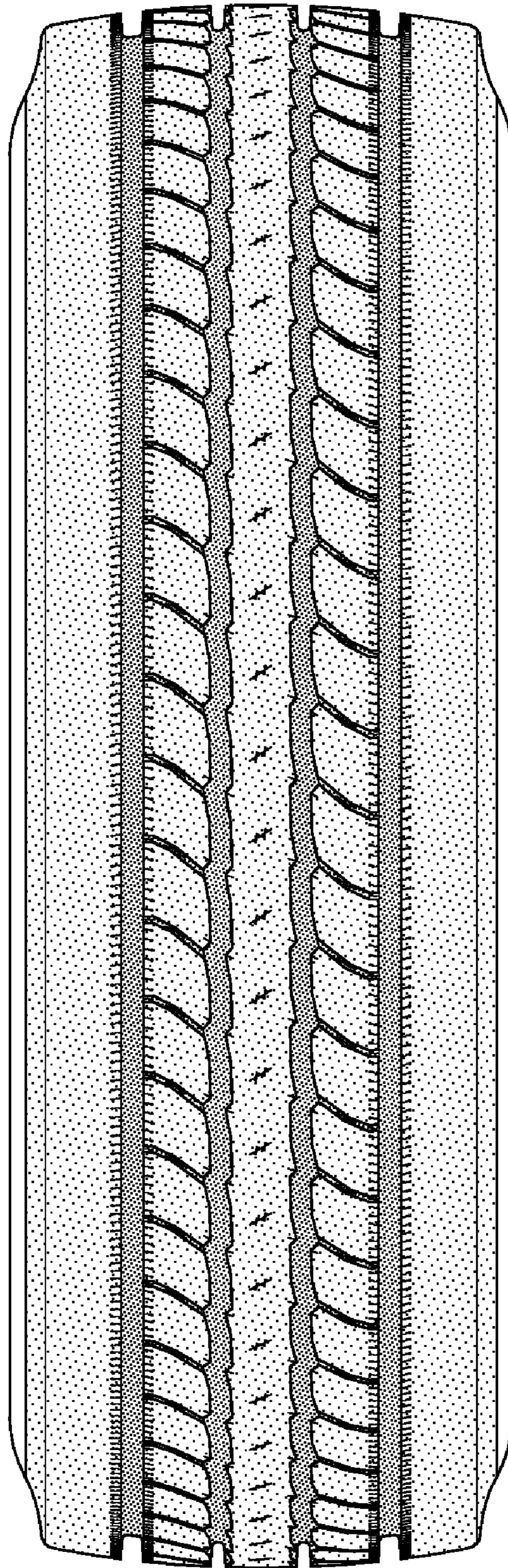


FIG-6