



US00D619083S

(12) **United States Design Patent**  
**Reim et al.**

(10) **Patent No.:** **US D619,083 S**  
(45) **Date of Patent:** **\*\* Jul. 6, 2010**

(54) **TIRE TREAD**

(75) Inventors: **Kevin Ray Reim**, Simpsonville, SC (US); **Gildas Yvon De Staercke**, Simpsonville, SC (US); **Joseph A. Stain**, Shelby, NC (US)

(73) Assignee: **Michelin Recherche et Technique**, Granges-Paccot (CH)

(\*\*) Term: **14 Years**

(21) Appl. No.: **29/340,301**

(22) Filed: **Jul. 16, 2009**

(51) **LOC (9) Cl.** ..... **12-15**

(52) **U.S. Cl.** ..... **D12/583**

(58) **Field of Classification Search** ..... D12/568-603;  
152/209.1, 209.5, 209.8, 209.12, 209.18,  
152/209.21, 209.9

See application file for complete search history.

(56) **References Cited**

**U.S. PATENT DOCUMENTS**

5,980,668	A *	11/1999	Slingluff	.....	156/110.1
D444,424	S	7/2001	Habay		
D458,580	S *	6/2002	Young et al.	.....	D12/512
D460,405	S	7/2002	Schmidt		
D535,939	S	1/2007	Gordon		
D555,080	S	11/2007	Radulescu		
D601,083	S *	9/2009	Williamson et al.	.....	D12/583

**FOREIGN PATENT DOCUMENTS**

EM 001106249-0001 4/2009

**OTHER PUBLICATIONS**

Michelin Truck Tire Data Book, Jan. 2009, p. 45 X One XDN2.

\* cited by examiner

*Primary Examiner*—Caron Veynar

*Assistant Examiner*—George D Kirschbaum

(74) *Attorney, Agent, or Firm*—Dority & Manning, P.A.

(57) **CLAIM**

The ornamental design for a tire tread, as shown and described.

**DESCRIPTION**

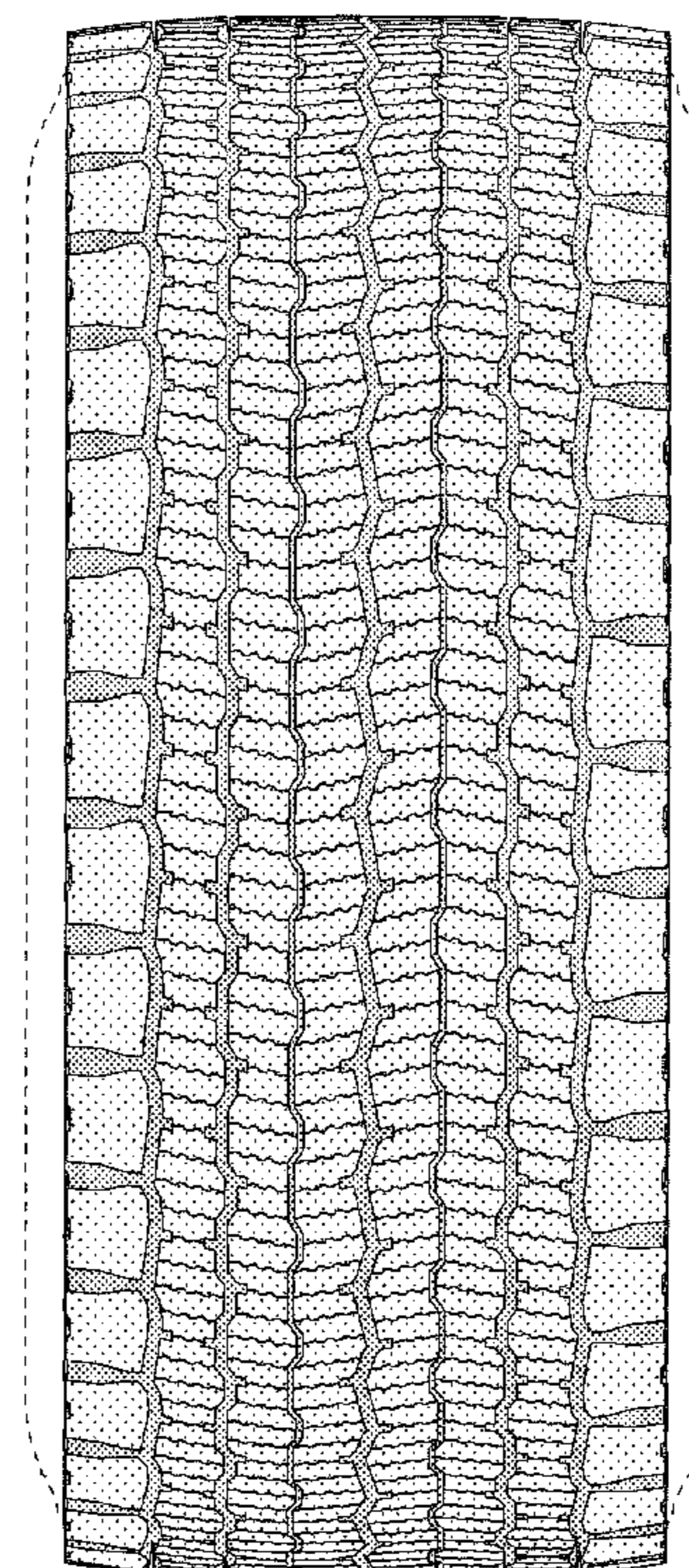
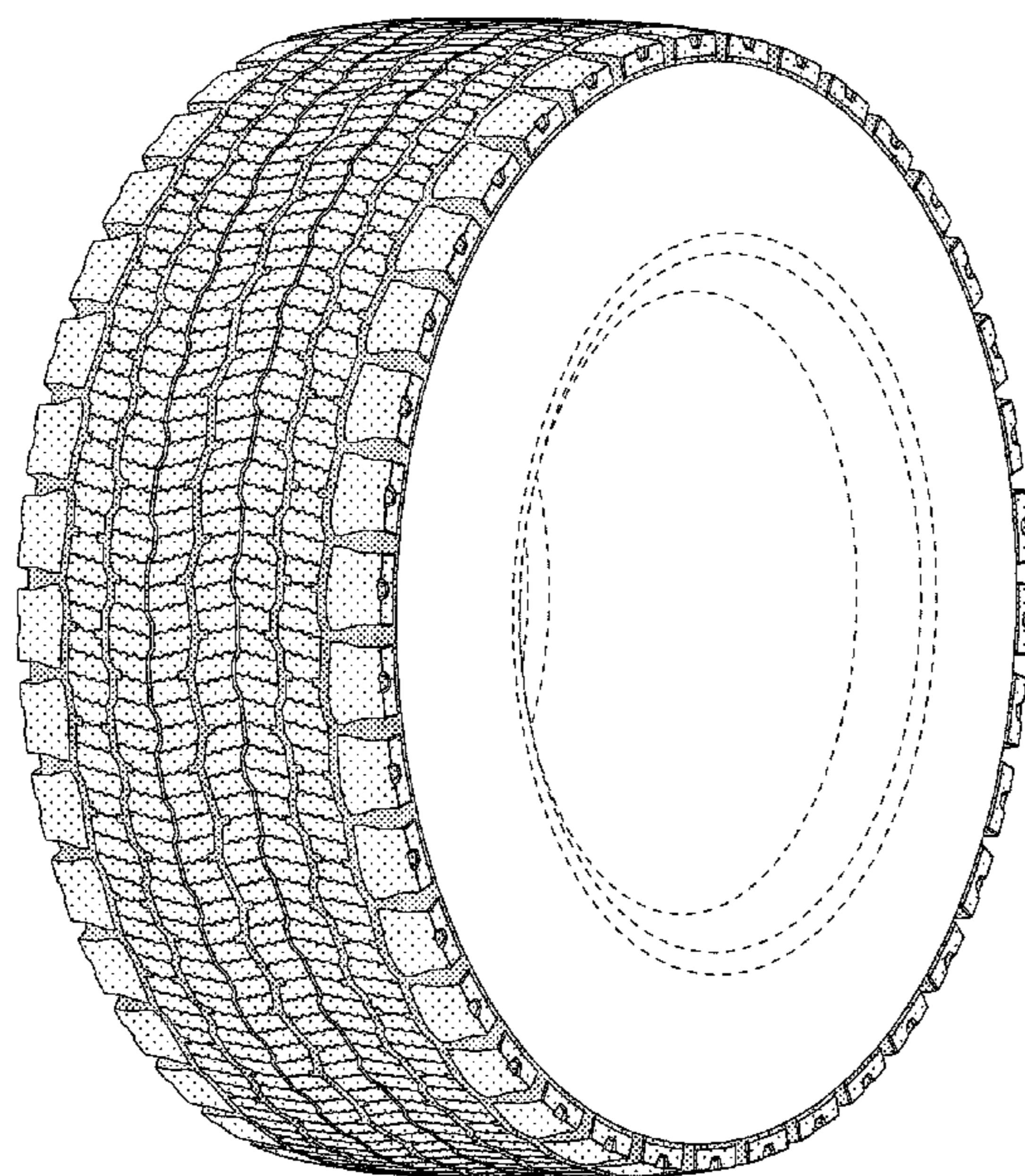
FIG. 1 is a perspective view of a tire tread showing our new design, it being understood that the tread pattern repeats circumferentially throughout the outer circumference and shoulder of the tire, the opposite side perspective being identical thereto;

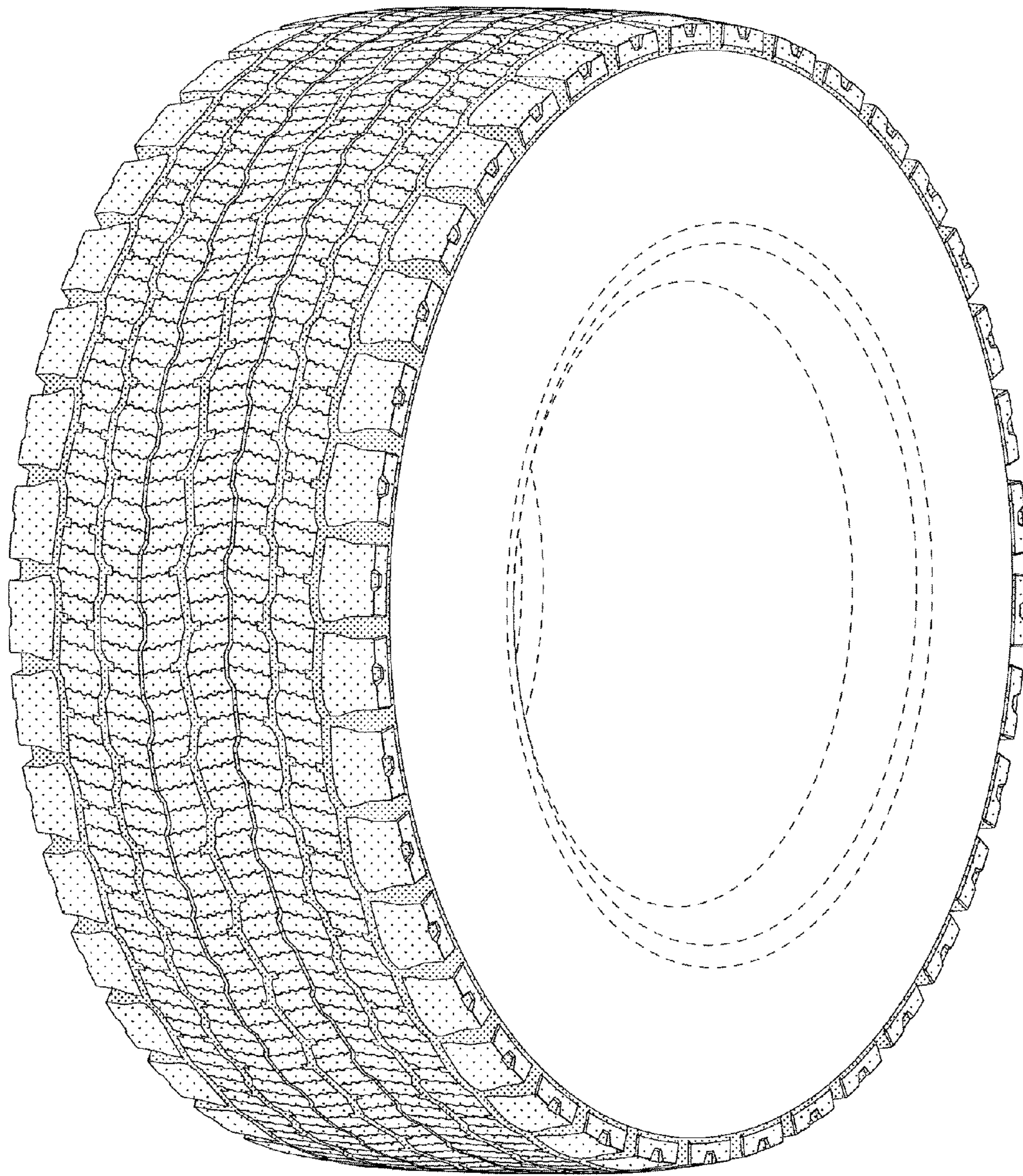
FIG. 2 is a front elevation view thereof; and,

FIG. 3 is a side elevation view of the right side thereof.

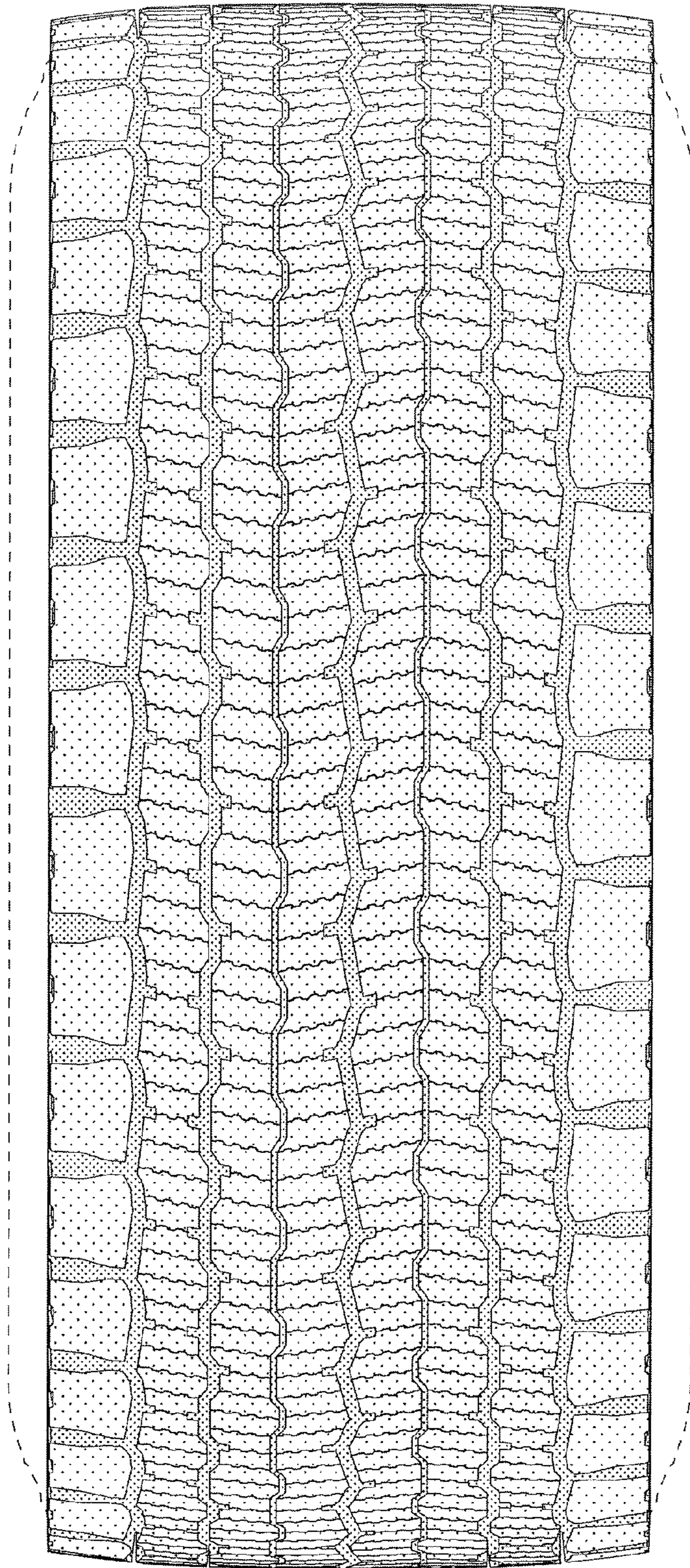
In the drawings, the dark stippled surface shading represents the recessed groove portions of the tire tread having a depth as best illustrated along the top and bottom edges of FIG. 2. In the drawings, the broken line disclosure of the tire sidewall and inner bead depicts environmental structure and forms no part of the claimed design.

**1 Claim, 3 Drawing Sheets**

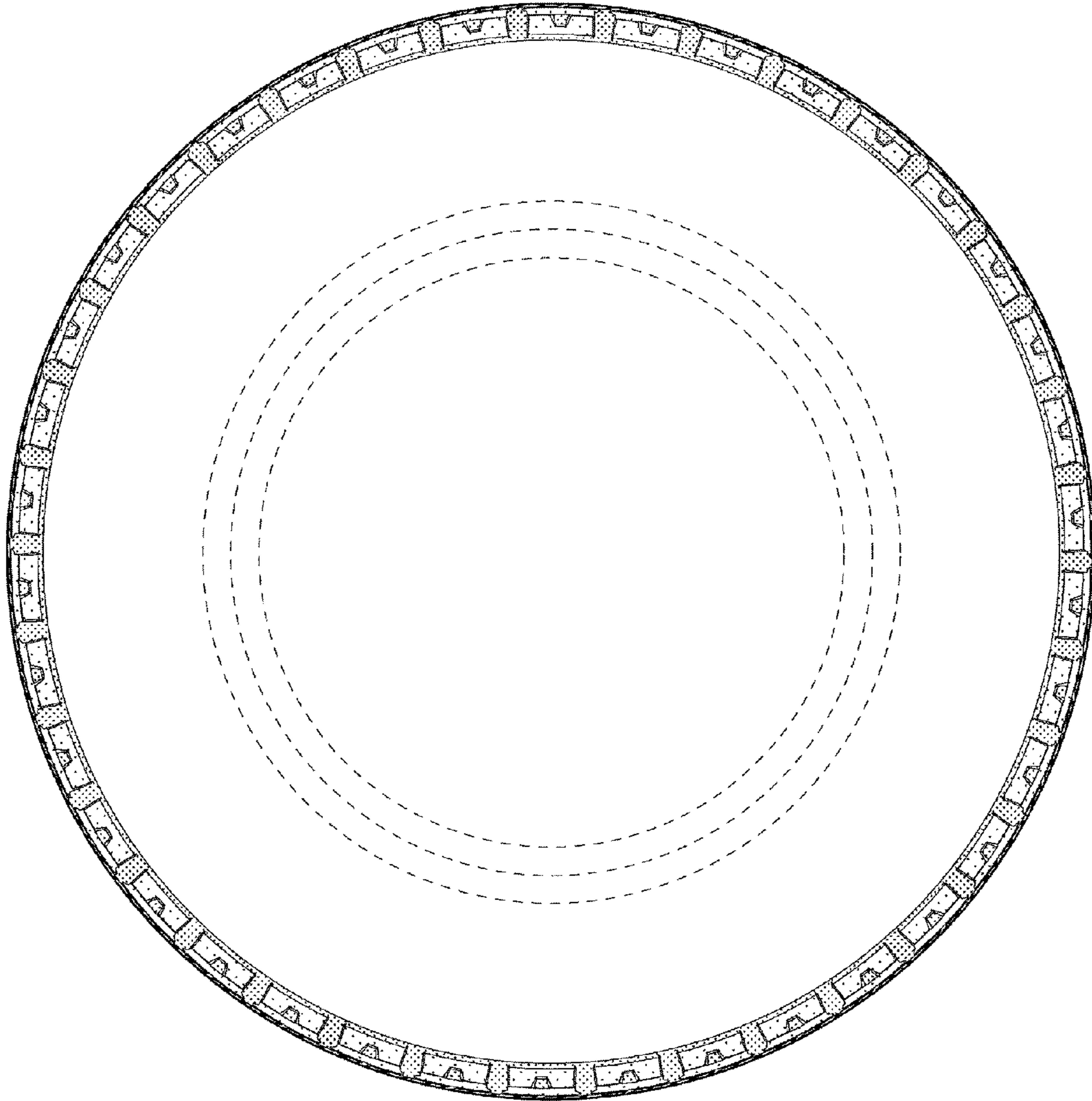




*Fig. 1*



*Fig. 2*



*Fig. 3*