



US00D619079S

(12) **United States Design Patent**
Bailo

(10) **Patent No.:** **US D619,079 S**
(45) **Date of Patent:** **** Jul. 6, 2010**

(54) **DVD SUPPORT FOR AUTOMOBILE SEAT**

(75) Inventor: **Carlo Bailo**, Stenico (IT)

(73) Assignee: **OMB S.r.l.**, Stenico (Trento) (IT)

(**) Term: **14 Years**

(21) Appl. No.: **29/304,352**

(22) Filed: **Feb. 29, 2008**

(30) **Foreign Application Priority Data**

Oct. 11, 2007 (EM) 000827142

(51) **LOC (9) Cl.** **12-15**

(52) **U.S. Cl.** **D12/416**

(58) **Field of Classification Search** D12/415,
D12/416; 362/488; 224/409; D6/611; D14/253;
D3/294

See application file for complete search history.

(56) **References Cited**

U.S. PATENT DOCUMENTS

D411,543 S * 6/1999 Richter D14/253
D419,520 S * 1/2000 Bergh D12/416
D473,840 S * 4/2003 Sauer D12/416
D501,997 S * 2/2005 Hassett D3/294

D530,713 S * 10/2006 Richter D14/253
D533,175 S * 12/2006 Richter D14/253
D535,988 S * 1/2007 Kettula et al. D14/253
D547,589 S * 7/2007 Albert D6/611
D570,836 S * 6/2008 Chen D14/253
2006/0113342 A1 * 6/2006 Hampton et al. 224/409
2007/0247861 A1 * 10/2007 Tiesler et al. 362/488

* cited by examiner

Primary Examiner—Caron Veynar

Assistant Examiner—George D Kirschbaum

(74) *Attorney, Agent, or Firm*—Shoemaker and Mattare

(57) **CLAIM**

The ornamental design for a DVD support for an automobile seat, as shown and described.

DESCRIPTION

FIG. 1 is a perspective view of a DVD support, showing my new design from the front and left side;

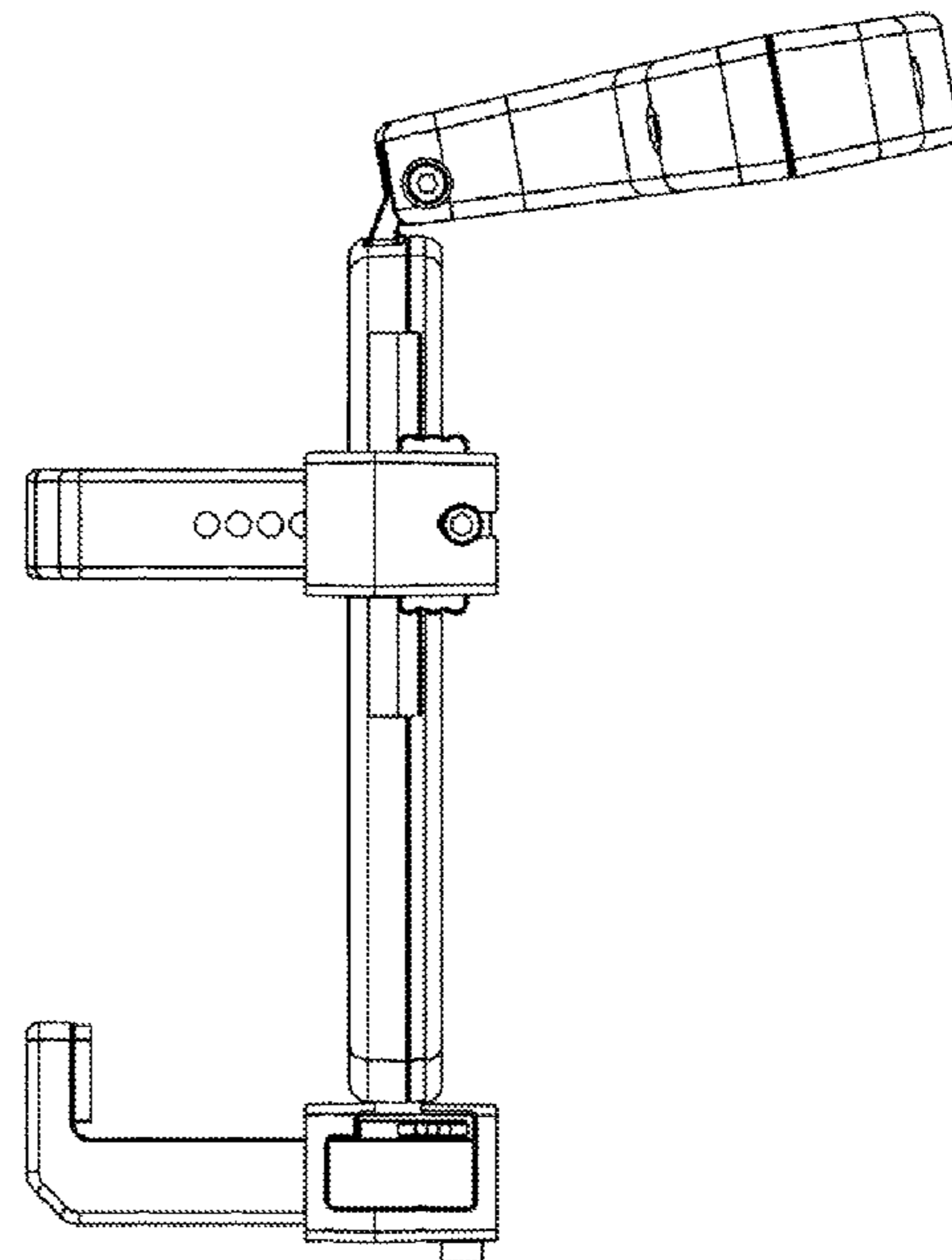
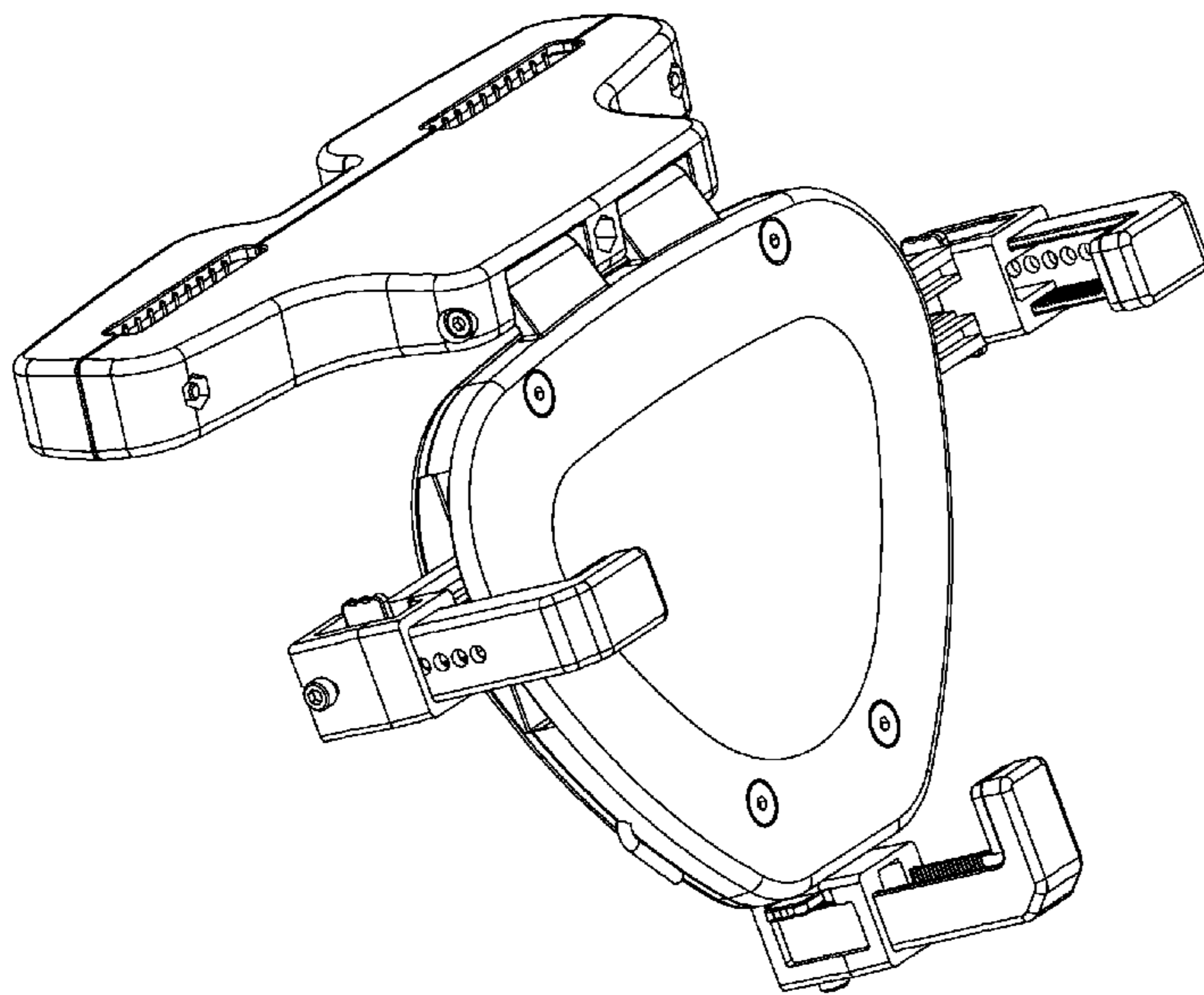
FIG. 2 is a rear elevational view thereof;

FIG. 3 is a right side elevational view thereof, the left side view being a mirror image;

FIG. 4 is a front elevational view thereof; and,

FIG. 5 is a top plan view thereof.

1 Claim, 5 Drawing Sheets



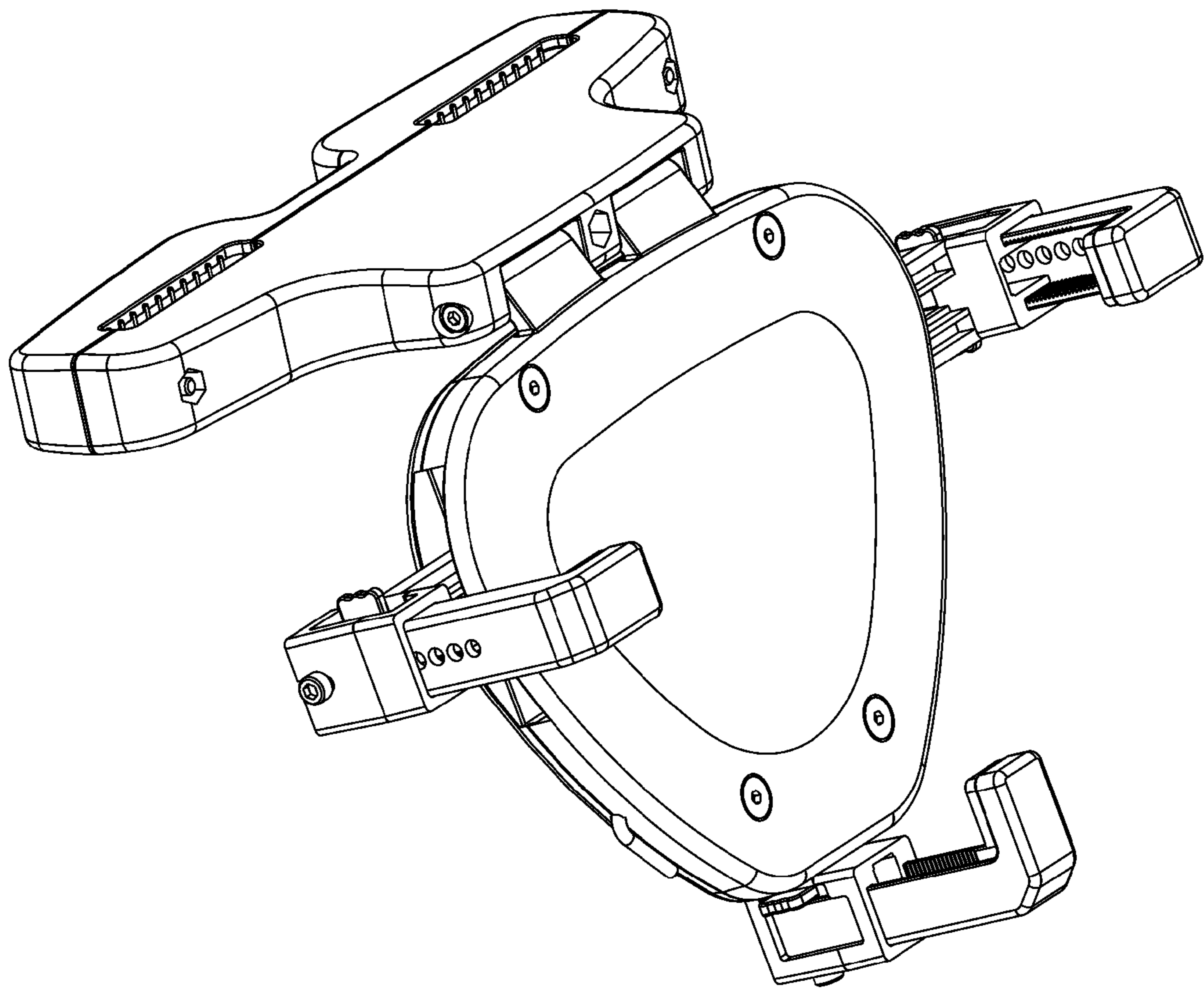


Fig. 1

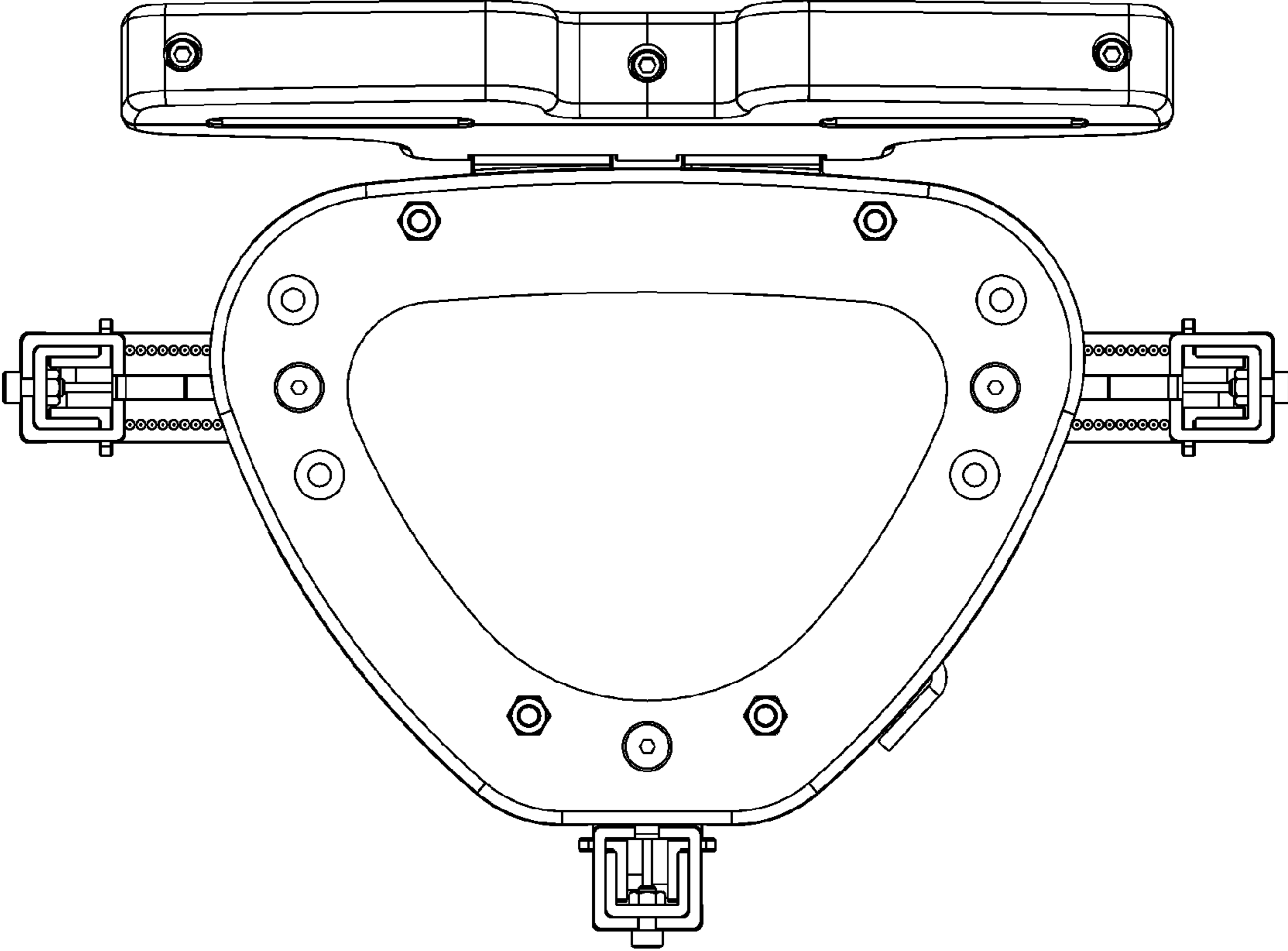


Fig. 2

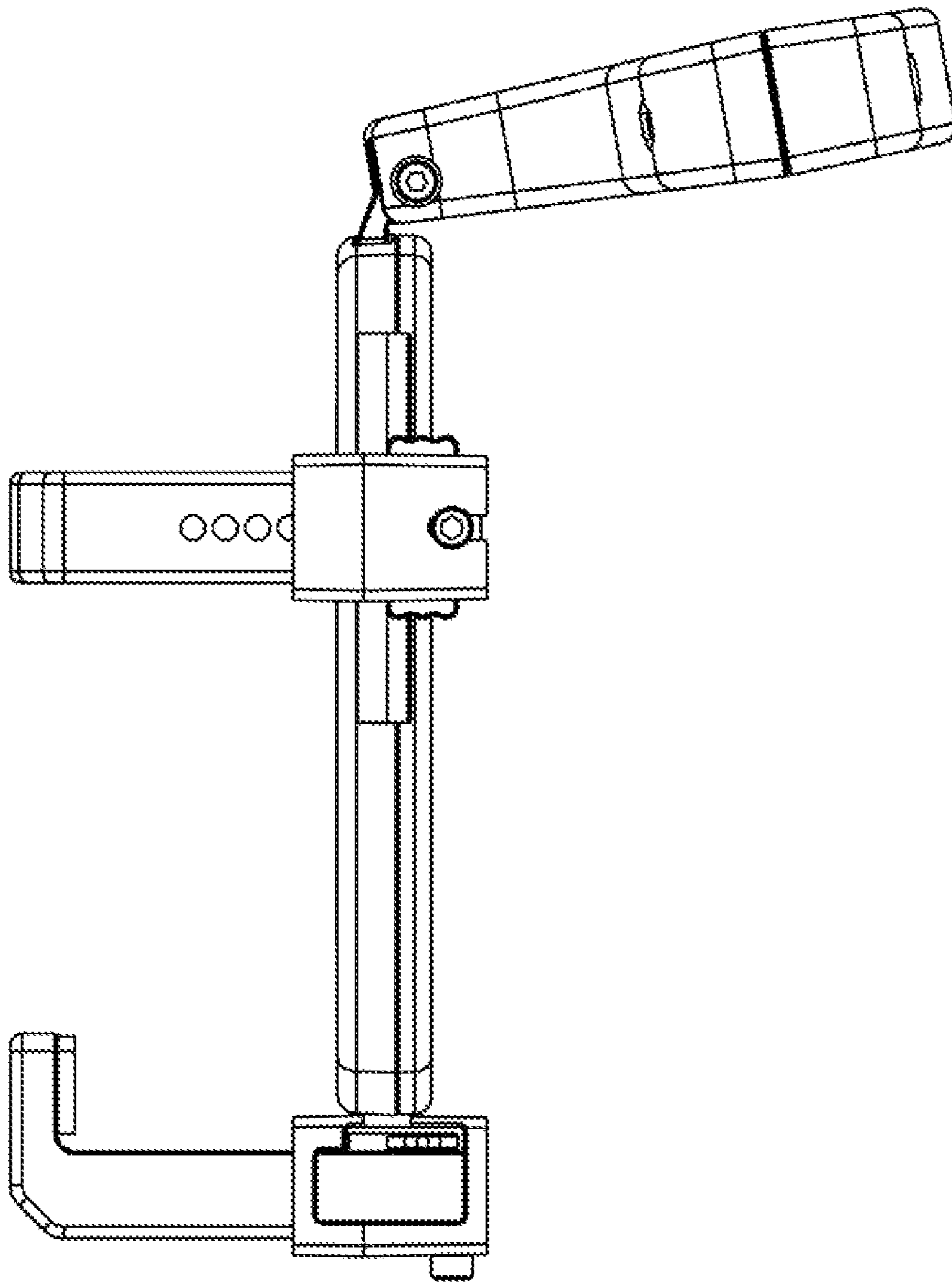


Fig. 3

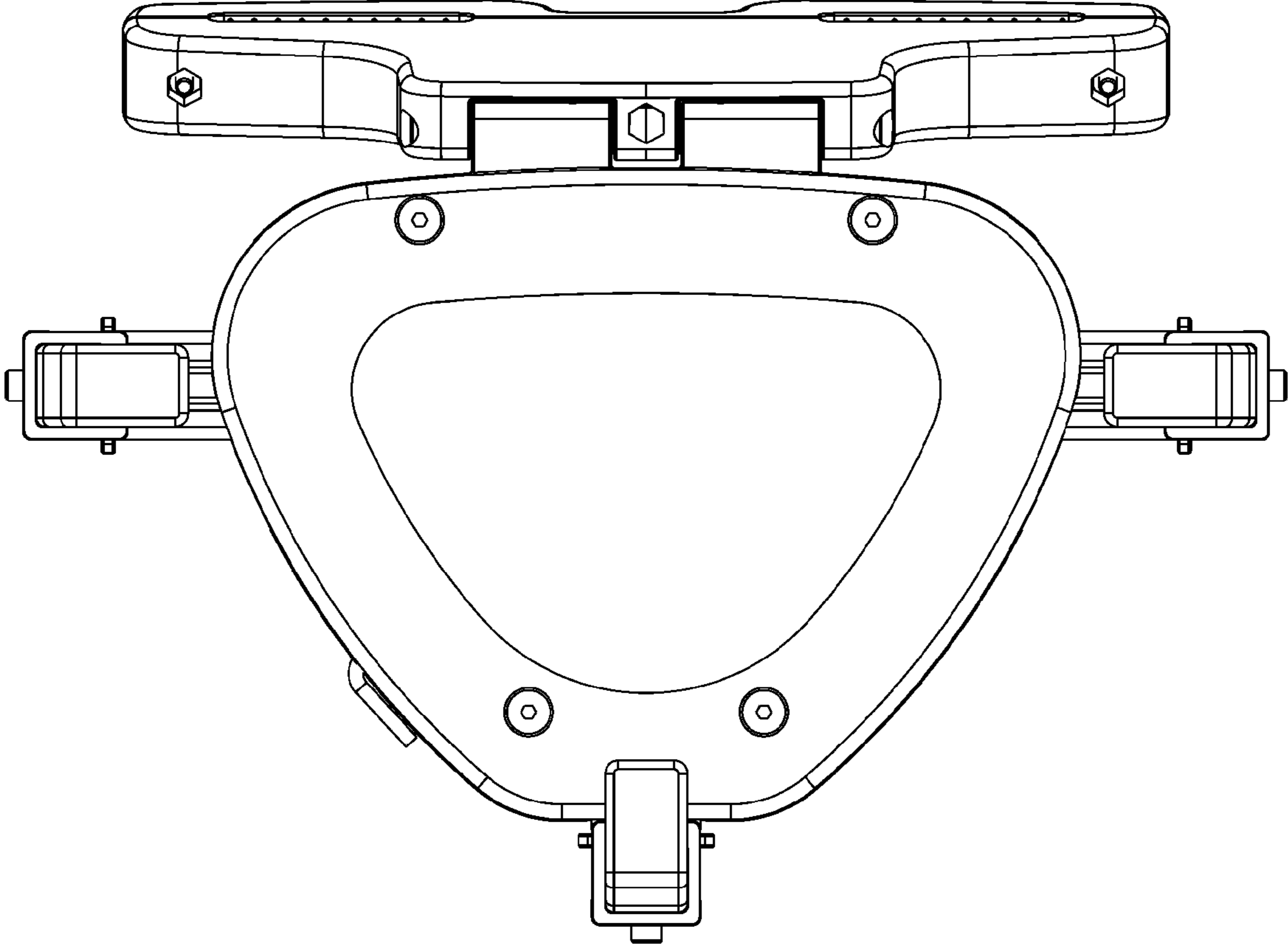


Fig. 4

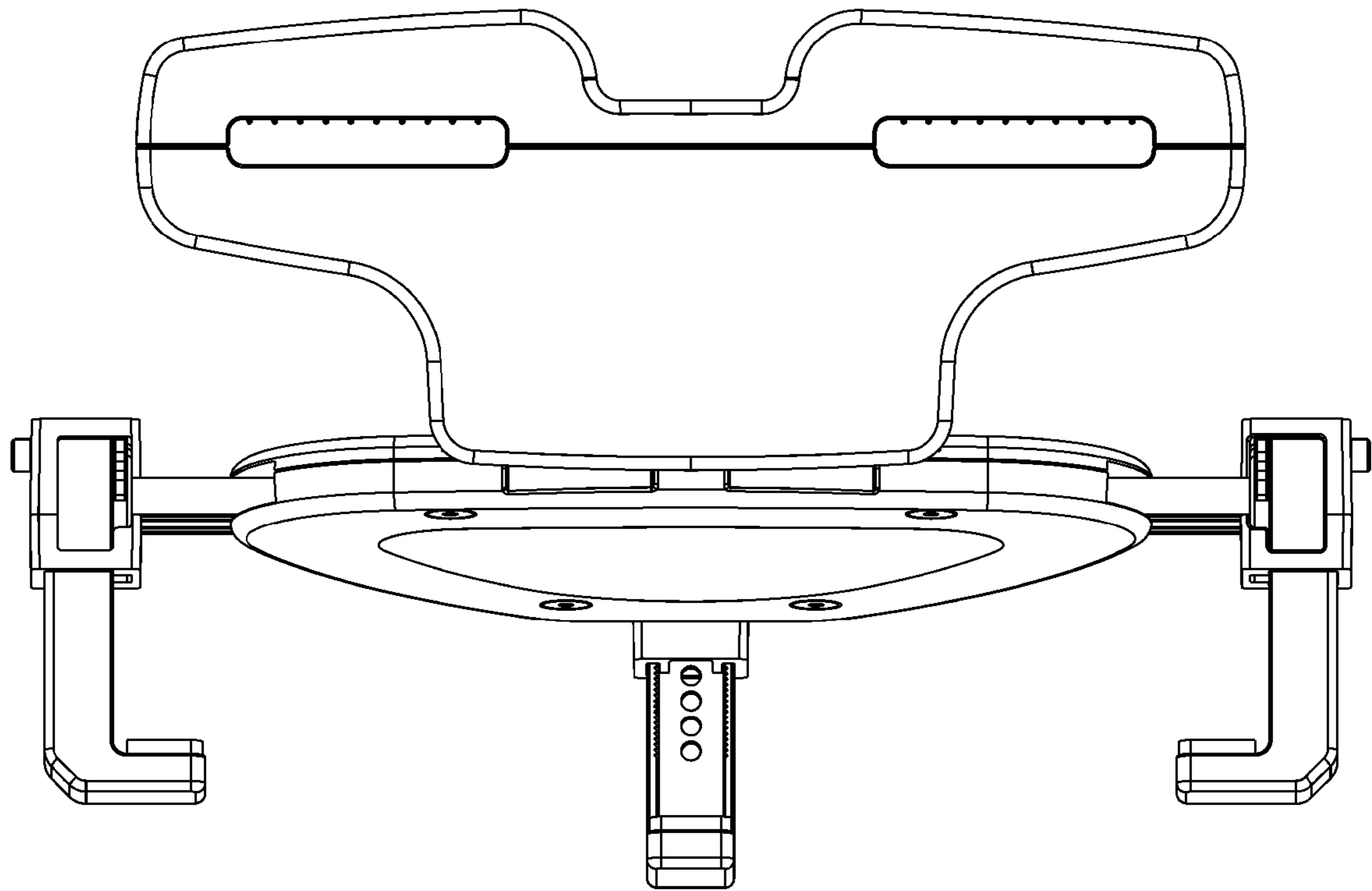


Fig. 5