



US00D619078S

(12) **United States Design Patent**  
**Frankham**

(10) **Patent No.:** **US D619,078 S**

(45) **Date of Patent:** **\*\* Jul. 6, 2010**

(54) **LONG VEHICLE CANOPY**

(76) Inventor: **Robert Paul Frankham**, 24 Coorabin Court, Tallebudgera, QLD (AU) 4228

(\*\*) Term: **14 Years**

(21) Appl. No.: **29/351,980**

(22) Filed: **Dec. 15, 2009**

(51) **LOC (9) Cl.** ..... **12-16**

(52) **U.S. Cl.** ..... **D12/404**

(58) **Field of Classification Search** ..... D12/400,  
D12/401, 404, 406, 412, 414, 222, 223, 86,  
D12/93, 101; 224/923, 924; 211/100, 124,  
211/2, 4, 85.7; D6/552

See application file for complete search history.

(56) **References Cited**

**U.S. PATENT DOCUMENTS**

D310,806 S *	9/1990	Hertzberg et al.	.....	D12/403
D325,551 S *	4/1992	Quiniones	.....	D12/404
D327,463 S *	6/1992	Williams	.....	D12/403
D328,062 S *	7/1992	Burgess	.....	D12/404
D332,934 S *	2/1993	Brown et al.	.....	D12/404
D379,173 S *	5/1997	Quiniones	.....	D12/404
D403,652 S *	1/1999	Starr et al.	.....	D12/404
D431,225 S *	9/2000	Perlman et al.	.....	D12/404
D432,074 S *	10/2000	Harris	.....	D12/404

D610,067 S \* 2/2010 Frankham ..... D12/404  
2008/0067830 A1 \* 3/2008 Frankham ..... 296/100.02

\* cited by examiner

*Primary Examiner*—Caron Veynar

*Assistant Examiner*—Katrina A Kile

(74) *Attorney, Agent, or Firm*—Galbreath Law Offices, P.C.;  
John A. Galbreath

(57) **CLAIM**

The ornamental design for a long vehicle canopy, as shown and described.

**DESCRIPTION**

FIG. 1 is a perspective view of the invention;

FIG. 2 is another perspective view of the invention, showing the features not shown in FIG. 1;

FIG. 3 is a top view of the invention;

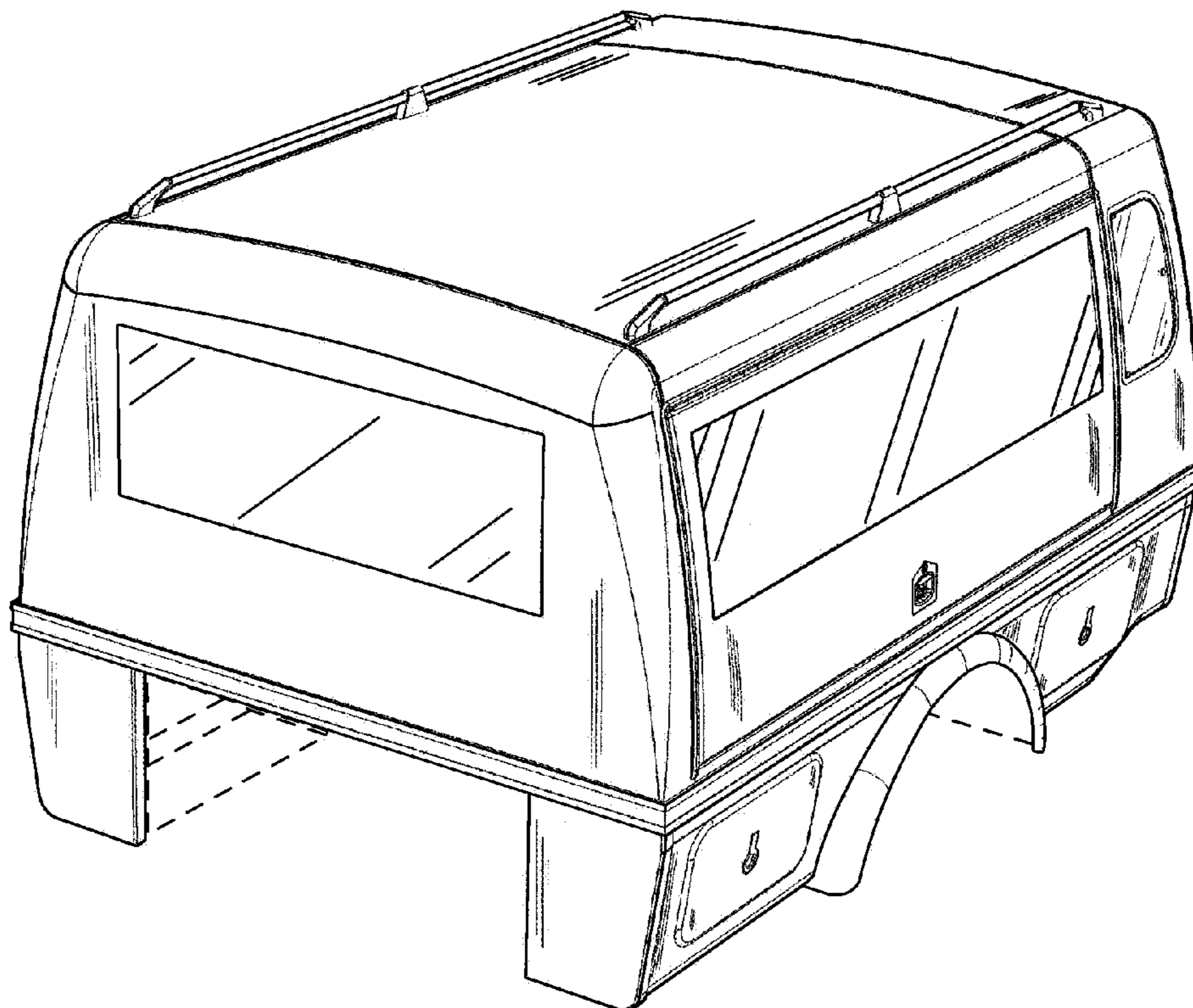
FIG. 4 is a back view of the invention;

FIG. 5 is a side view of the invention; and,

FIG. 6 is a front view of the invention.

In the drawings, the broken lines in FIG. 1 and FIG. 2 show the bottom of a long vehicle canopy and form no part of the claimed design.

**1 Claim, 3 Drawing Sheets**



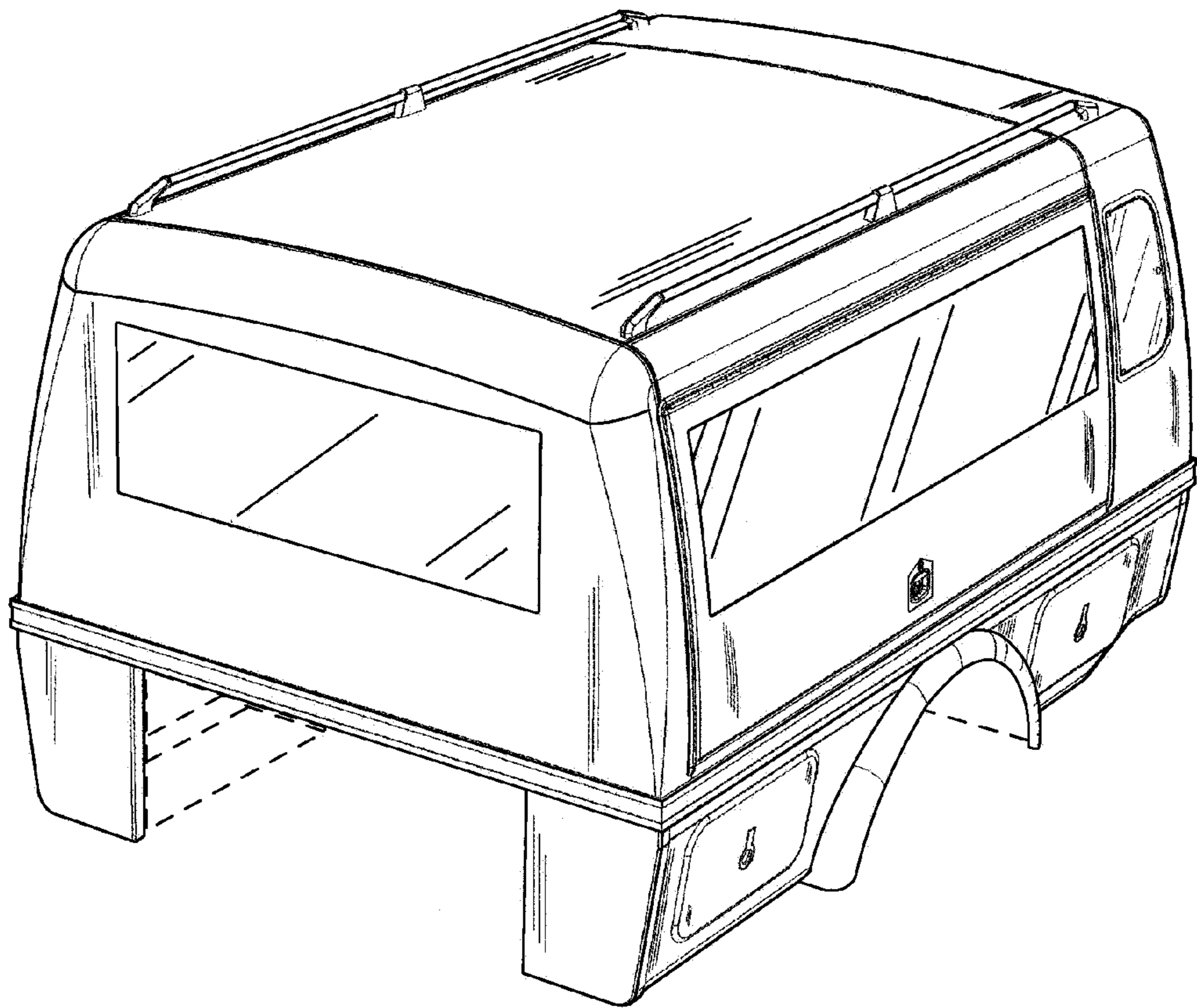


Fig. 1

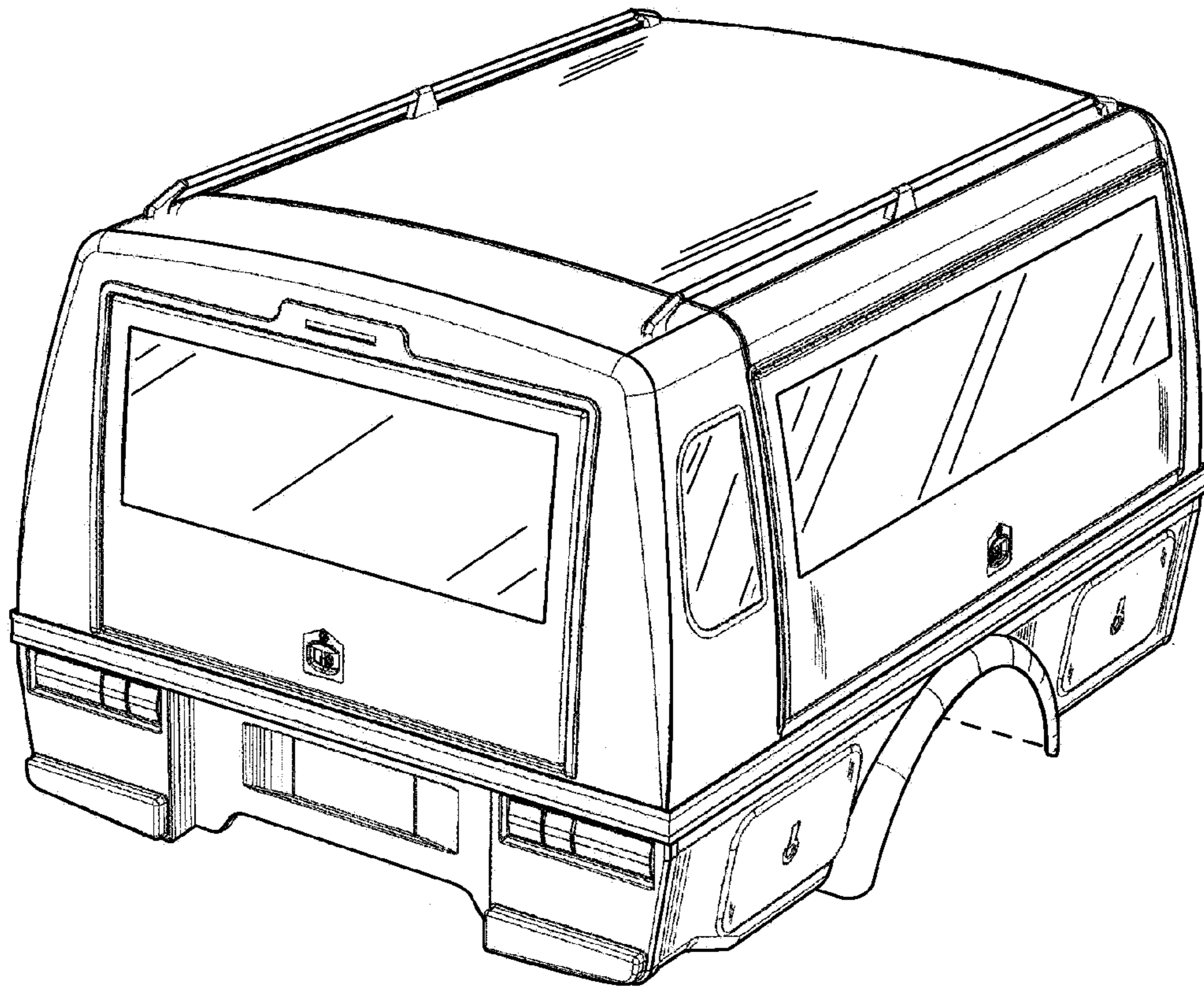


Fig. 2

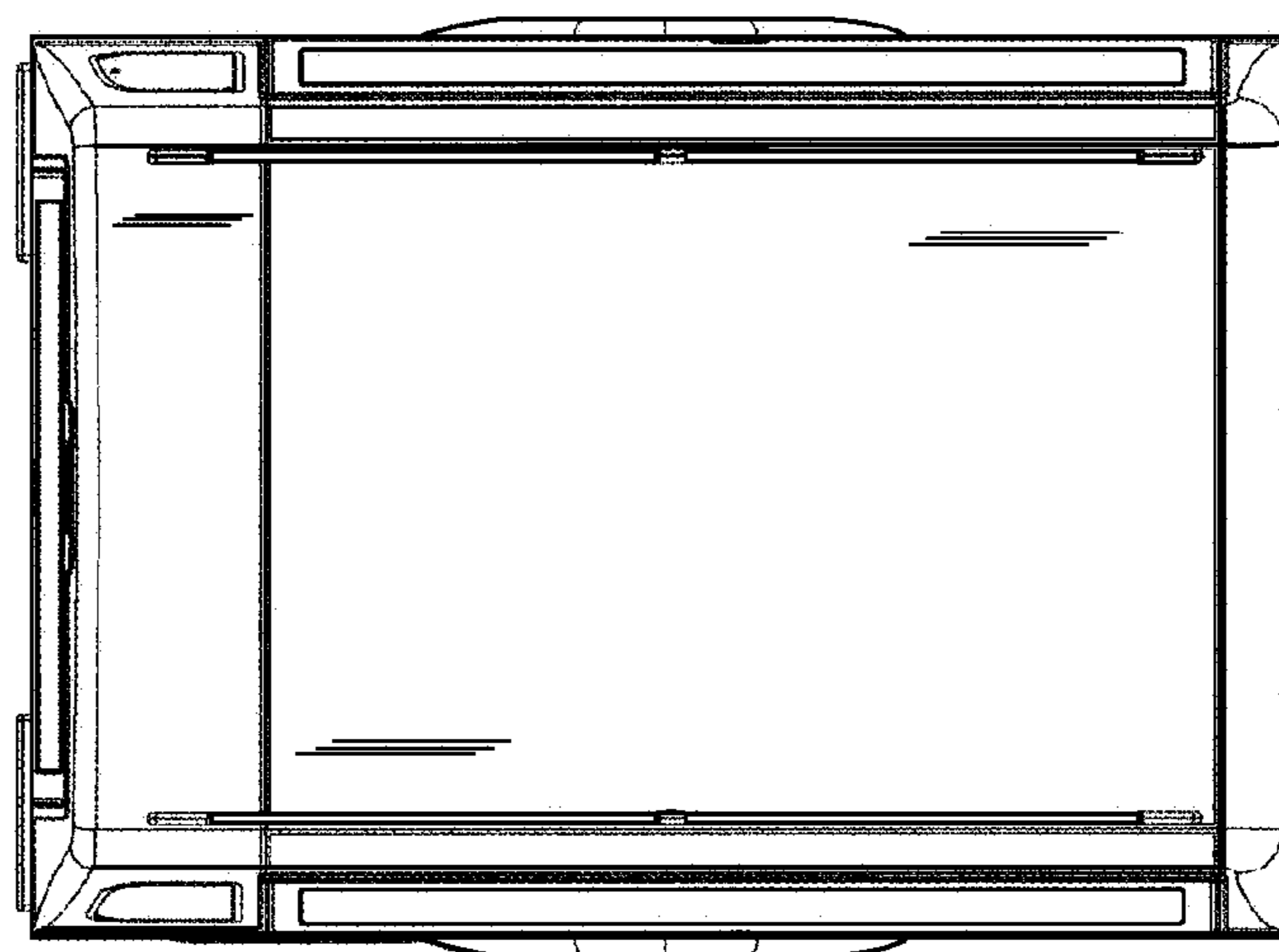


Fig. 3

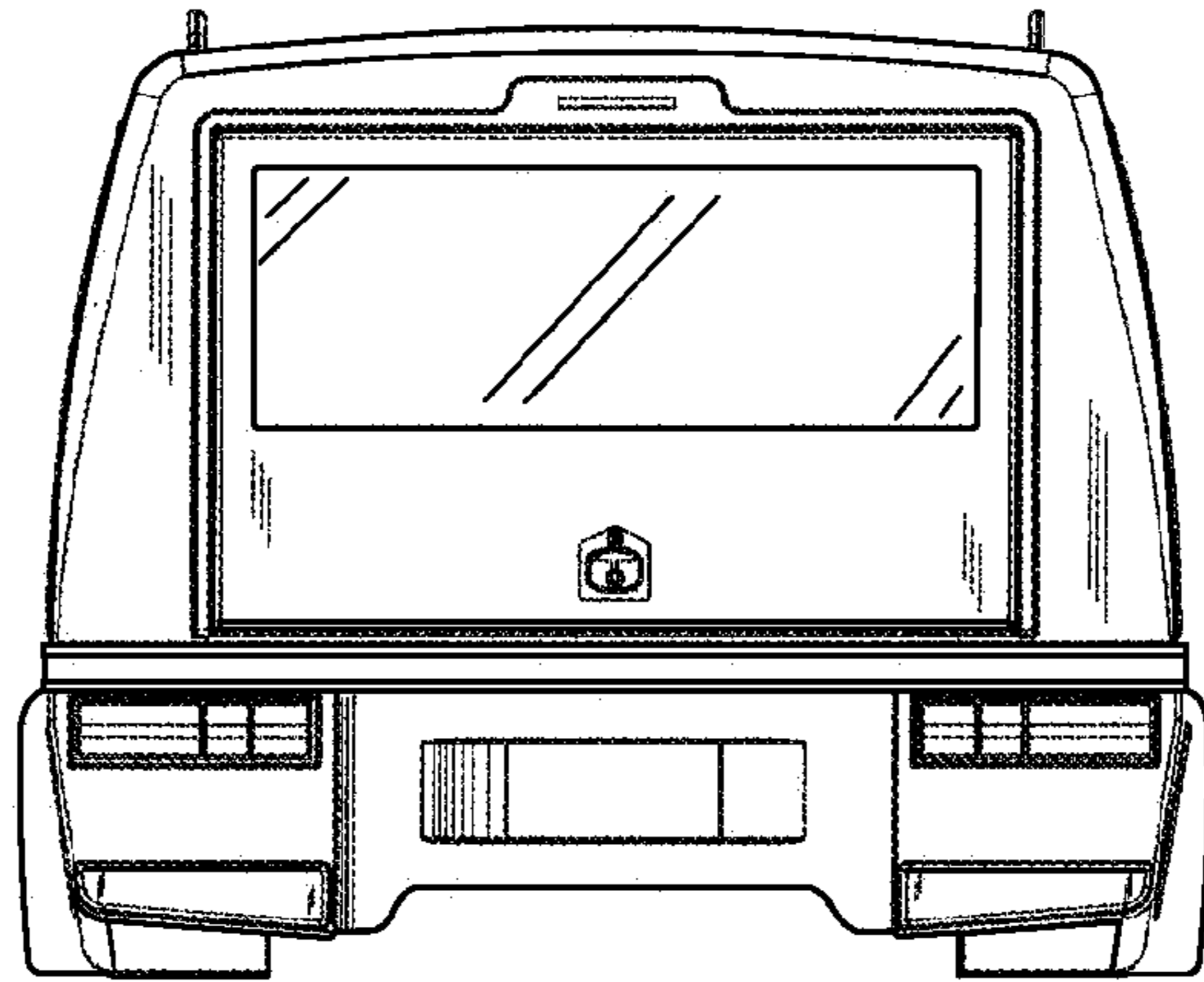


Fig. 4

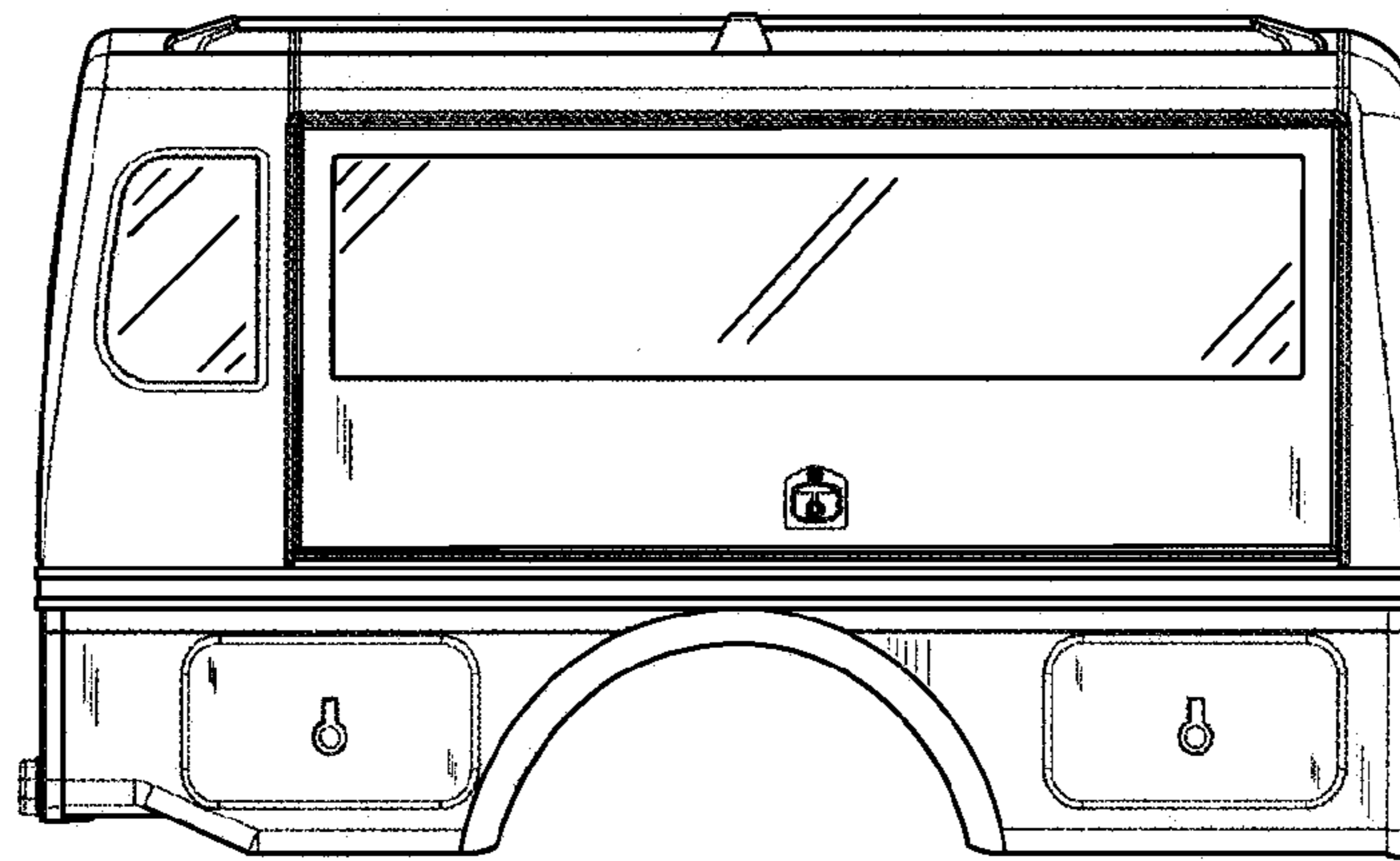


Fig. 5

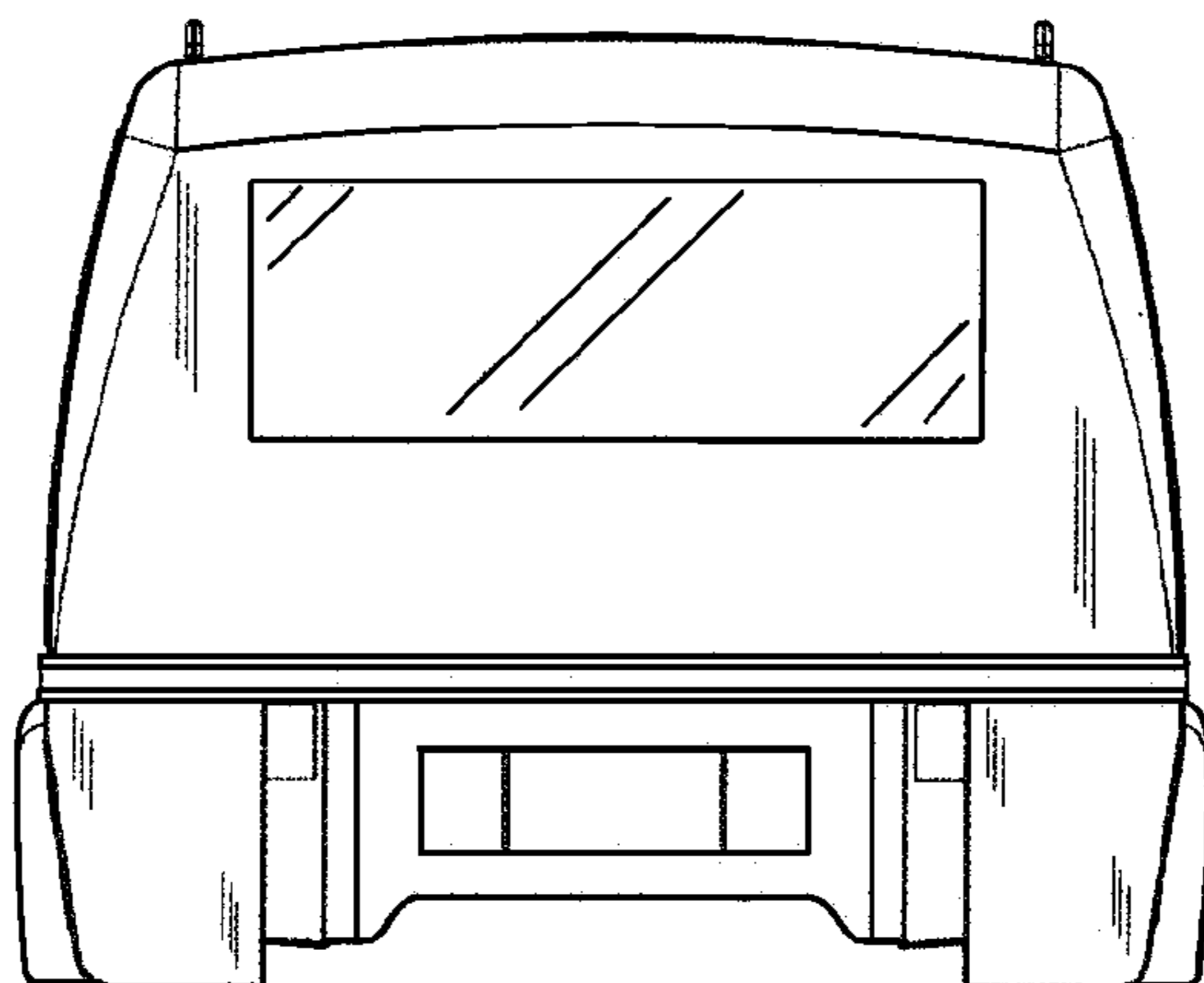


Fig. 6