



US00D619075S

(12) **United States Design Patent**
Zhao

(10) **Patent No.:** **US D619,075 S**

(45) **Date of Patent:** **** Jul. 6, 2010**

(54) **FRONT FACE OF A VEHICLE WHEEL**

(76) **Inventor:** **John Zhao**, 283 E. Garvey Ave.,
Monterey Park, CA (US) 91755

(**) **Term:** **14 Years**

(21) **Appl. No.:** **29/354,197**

(22) **Filed:** **Jan. 20, 2010**

(51) **LOC (9) Cl.** **12-16**

(52) **U.S. Cl.** **D12/211**

(58) **Field of Classification Search** D12/204-213;
301/37.101, 64.101, 65, 64.201

See application file for complete search history.

(56) **References Cited**

U.S. PATENT DOCUMENTS

D422,550 S *	4/2000	Chung	D12/211
D444,119 S *	6/2001	Brintouch	D12/211
D456,332 S *	4/2002	Vian	D12/211
D506,967 S *	7/2005	Kamimura	D12/211
D545,749 S *	7/2007	Young	D12/211

D570,275 S *	6/2008	Laengerer	D12/211
D582,829 S *	12/2008	Musser	D12/211
D590,320 S *	4/2009	Scheu	D12/211
D593,021 S *	5/2009	Chung	D12/211

* cited by examiner

Primary Examiner—Stacia Cadmus

(74) *Attorney, Agent, or Firm*—Procopio, Cory, Hargreaves
& Savitch LLP

(57) **CLAIM**

The ornamental design for a front face of a vehicle wheel, as shown and described.

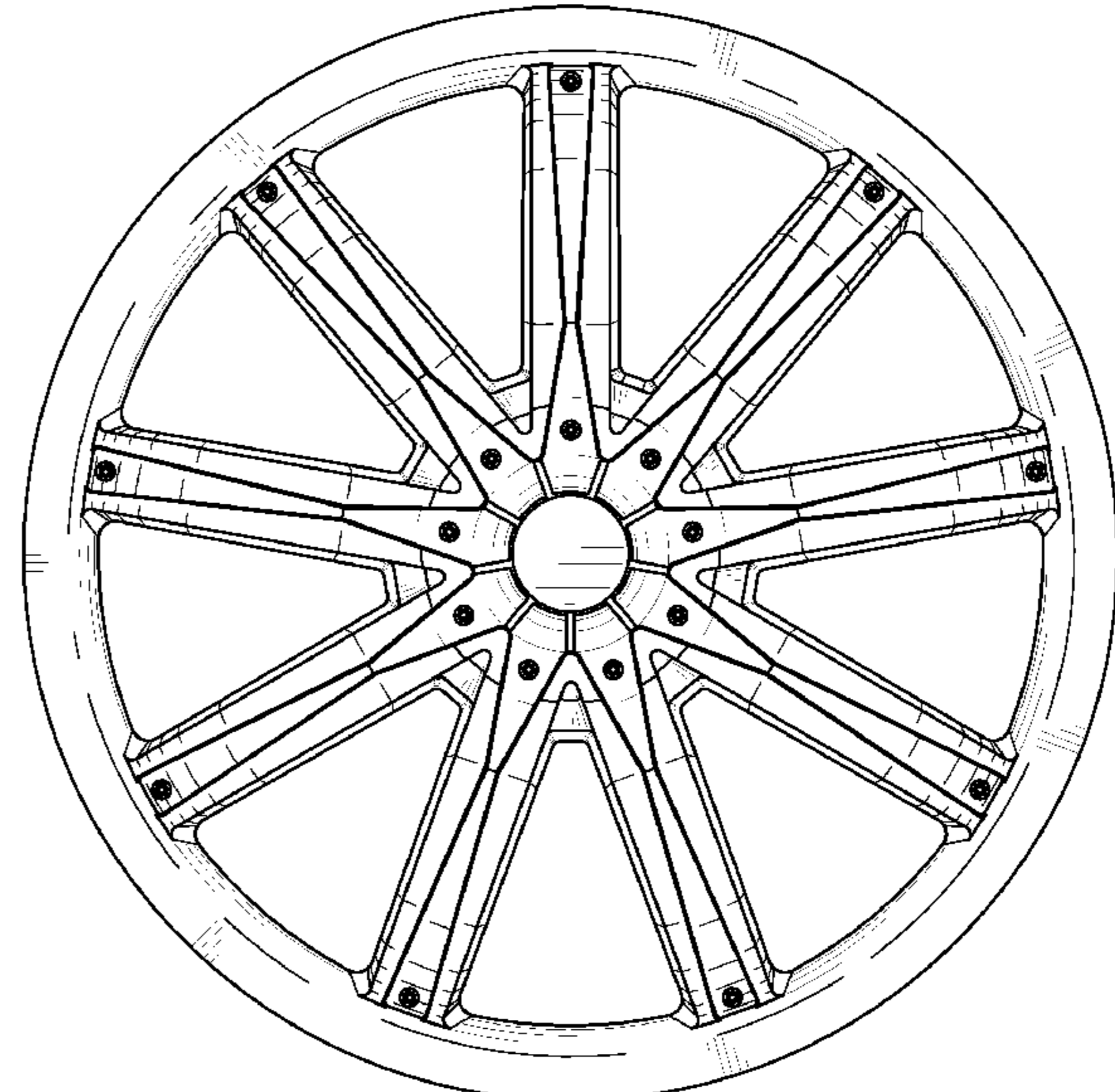
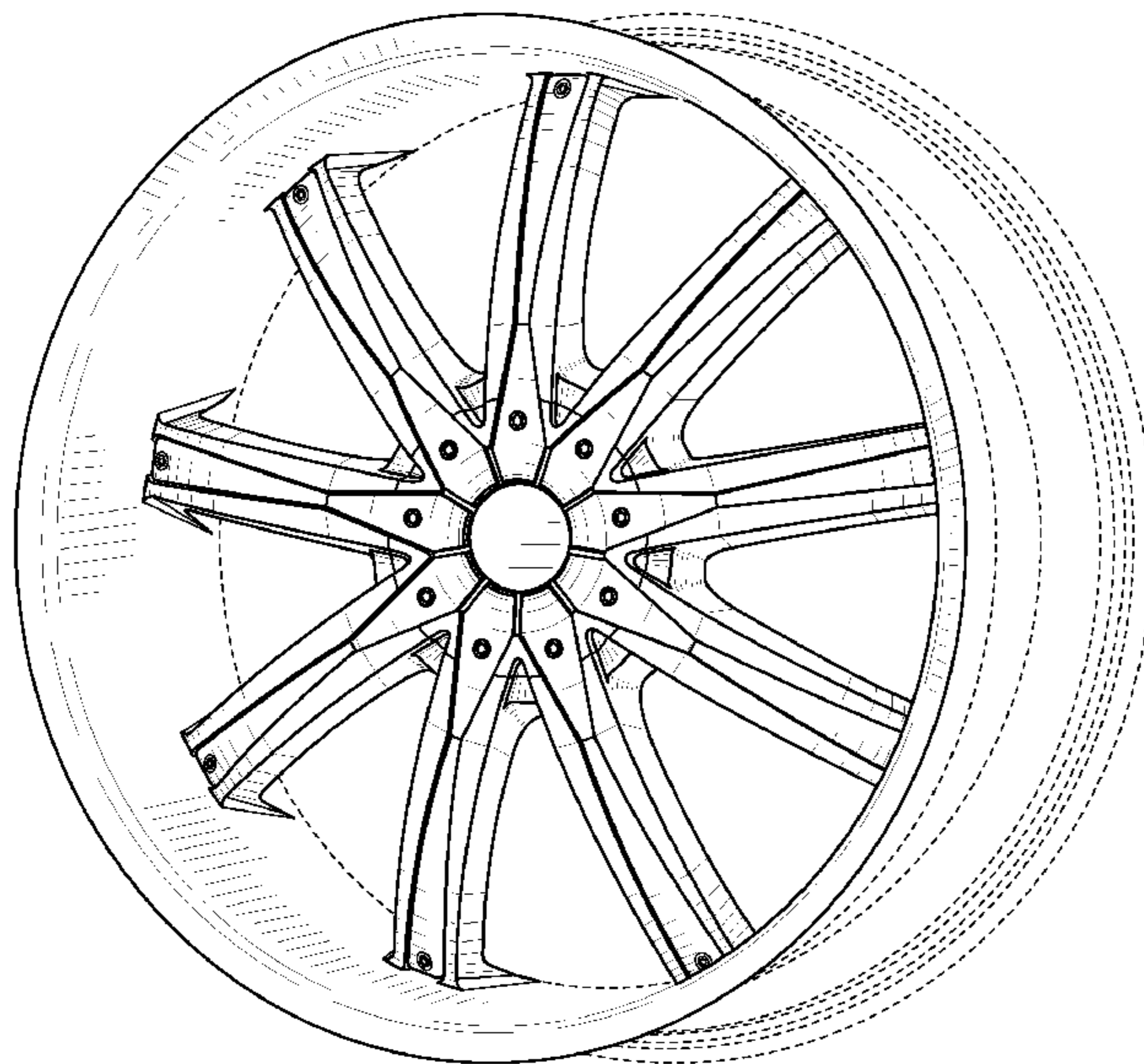
DESCRIPTION

FIG. 1 is a perspective view of a front face of a vehicle wheel embodying my new design; and,

FIG. 2 is a front view thereof.

The broken lines are for illustrative purposes only and form no part of the claimed design.

1 Claim, 2 Drawing Sheets



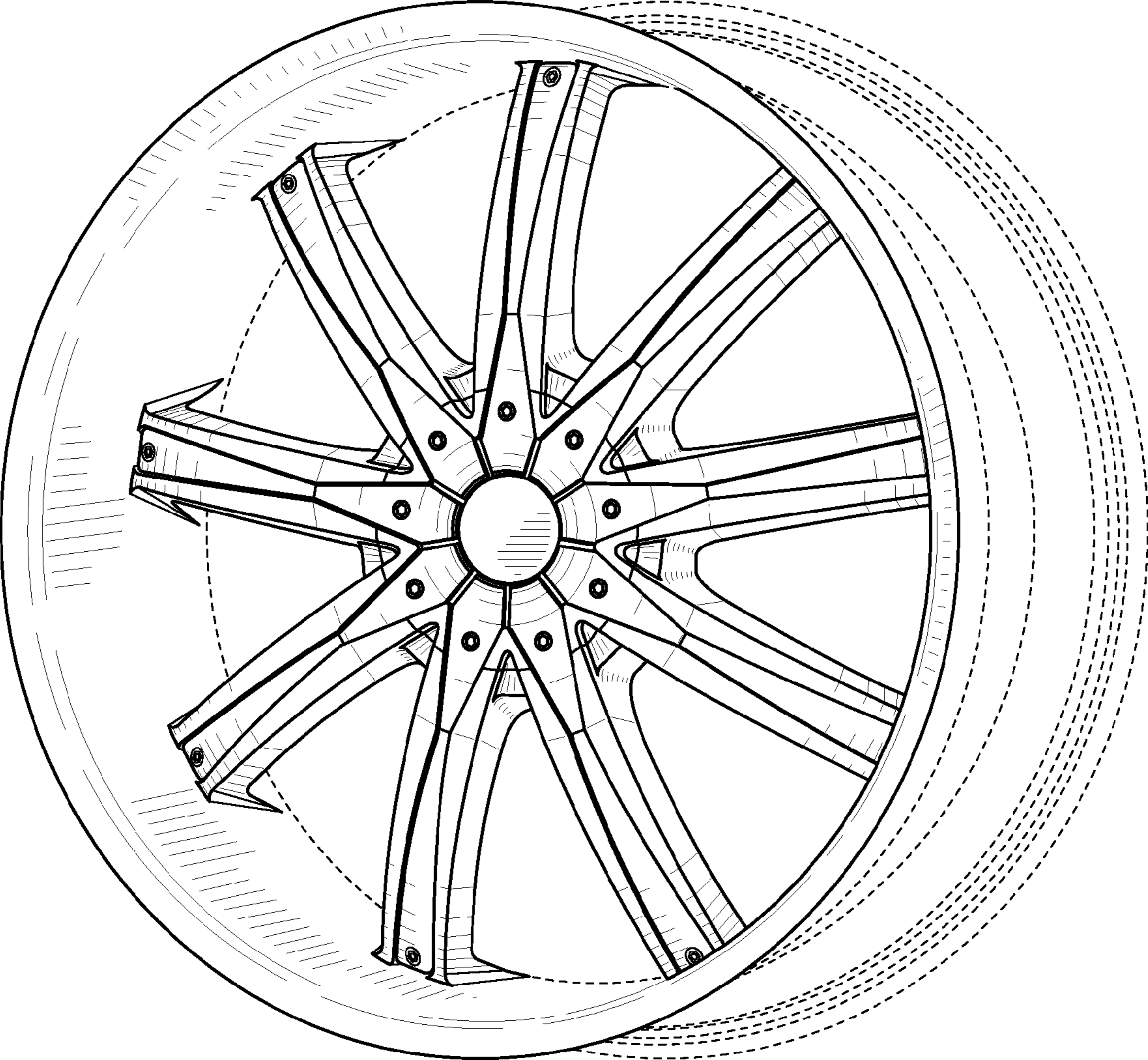


FIG. 1

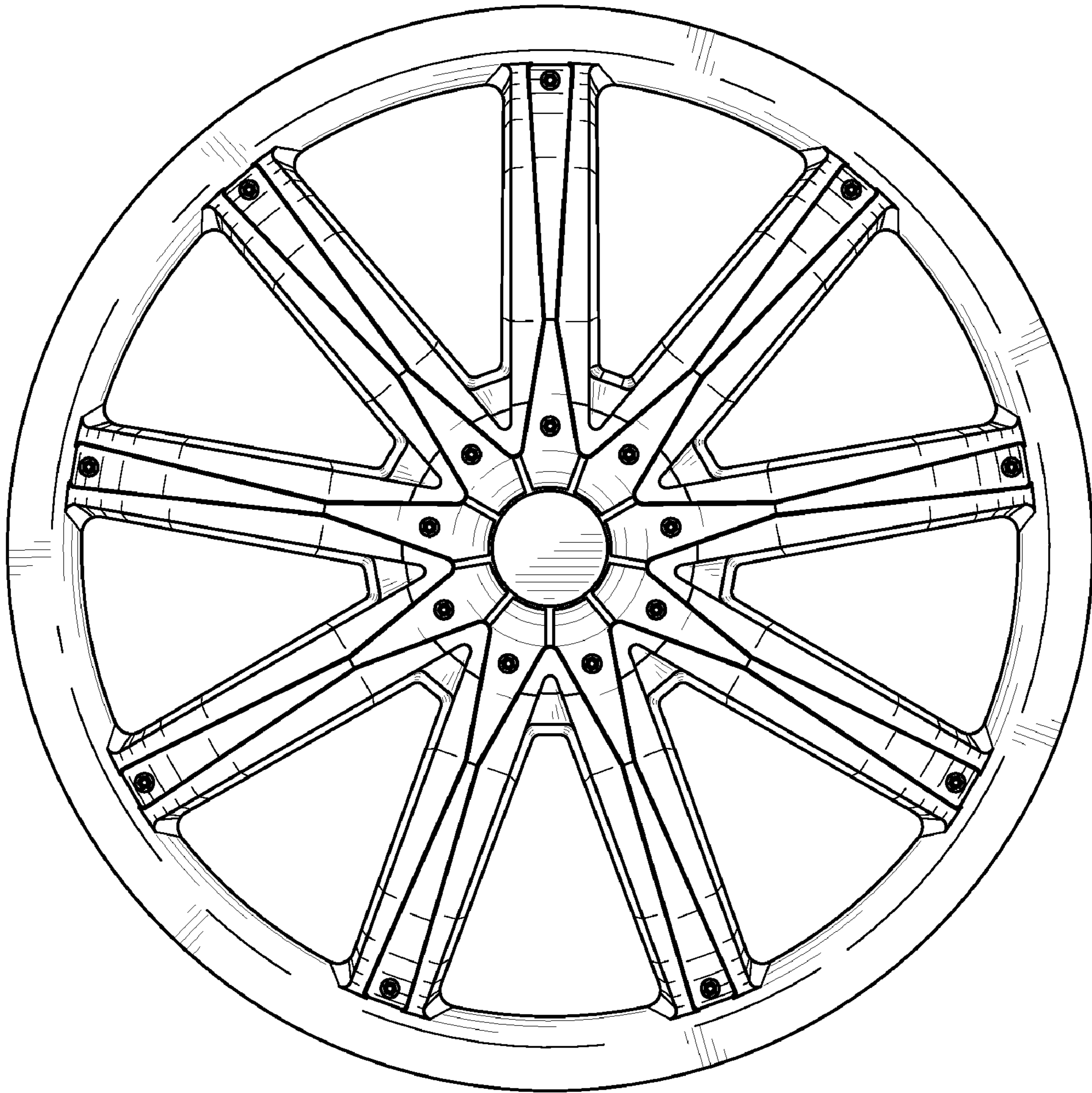


FIG. 2