



US00D619072S

(12) **United States Design Patent**  
**Gallert**

(10) **Patent No.:** **US D619,072 S**  
(45) **Date of Patent:** **\*\* Jul. 6, 2010**

(54) **AUTOMOBILE WHEEL**

(75) Inventor: **Michael Gallert**, Stuttgart (DE)

(73) Assignee: **Dr. Ing. h.c. F. Porsche AG**, Stuttgart (DE)

(\*\*) Term: **14 Years**

(21) Appl. No.: **29/343,302**

(22) Filed: **Sep. 10, 2009**

(30) **Foreign Application Priority Data**

Jul. 6, 2007 (DE) ..... 40703497

(51) **LOC (9) Cl.** ..... **12-16**

(52) **U.S. Cl.** ..... **D12/211**

(58) **Field of Classification Search** ..... D12/204–213;  
301/37.101, 64.101, 65, 64.201; 280/731;  
40/57

See application file for complete search history.

(56) **References Cited**

**U.S. PATENT DOCUMENTS**

D206,432 S	*	12/1966	Reid et al.	.....	D12/209
D377,471 S	*	1/1997	Stach	.....	D12/209
D446,761 S	*	8/2001	Kulla	.....	D12/209
D460,941 S	*	7/2002	Muzzarelli	.....	D12/211
D481,982 S	*	11/2003	Takechi	.....	D12/211
D497,339 S	*	10/2004	Heinrich	.....	D12/209
D499,681 S	*	12/2004	Boyer	.....	D12/209
D503,371 S	*	3/2005	Boyer	.....	D12/211

D503,916 S	*	4/2005	Clarke	.....	D12/209
D507,223 S	*	7/2005	Szavits	.....	D12/209
D513,221 S	*	12/2005	Pfeiffer	.....	D12/211
D513,486 S	*	1/2006	Rivera	.....	D12/208
D527,329 S	*	8/2006	Pfeiffer	.....	D12/211
D532,733 S	*	11/2006	Hieke	.....	D12/209
D532,734 S	*	11/2006	Hieke	.....	D12/209
D536,294 S	*	2/2007	Laengerer	.....	D12/211
D551,150 S	*	9/2007	Hueller	.....	D12/211
D554,034 S	*	10/2007	Madden	.....	D12/209
D578,949 S	*	10/2008	Hieke	.....	D12/211

**OTHER PUBLICATIONS**

“Car and Driver”, No. 18, Sep. 26, 2002, two pages.

\* cited by examiner

*Primary Examiner*—Cathron C Brooks

*Assistant Examiner*—Austin Murphy

(57) **CLAIM**

The ornamental design for the automobile wheel, as shown and described.

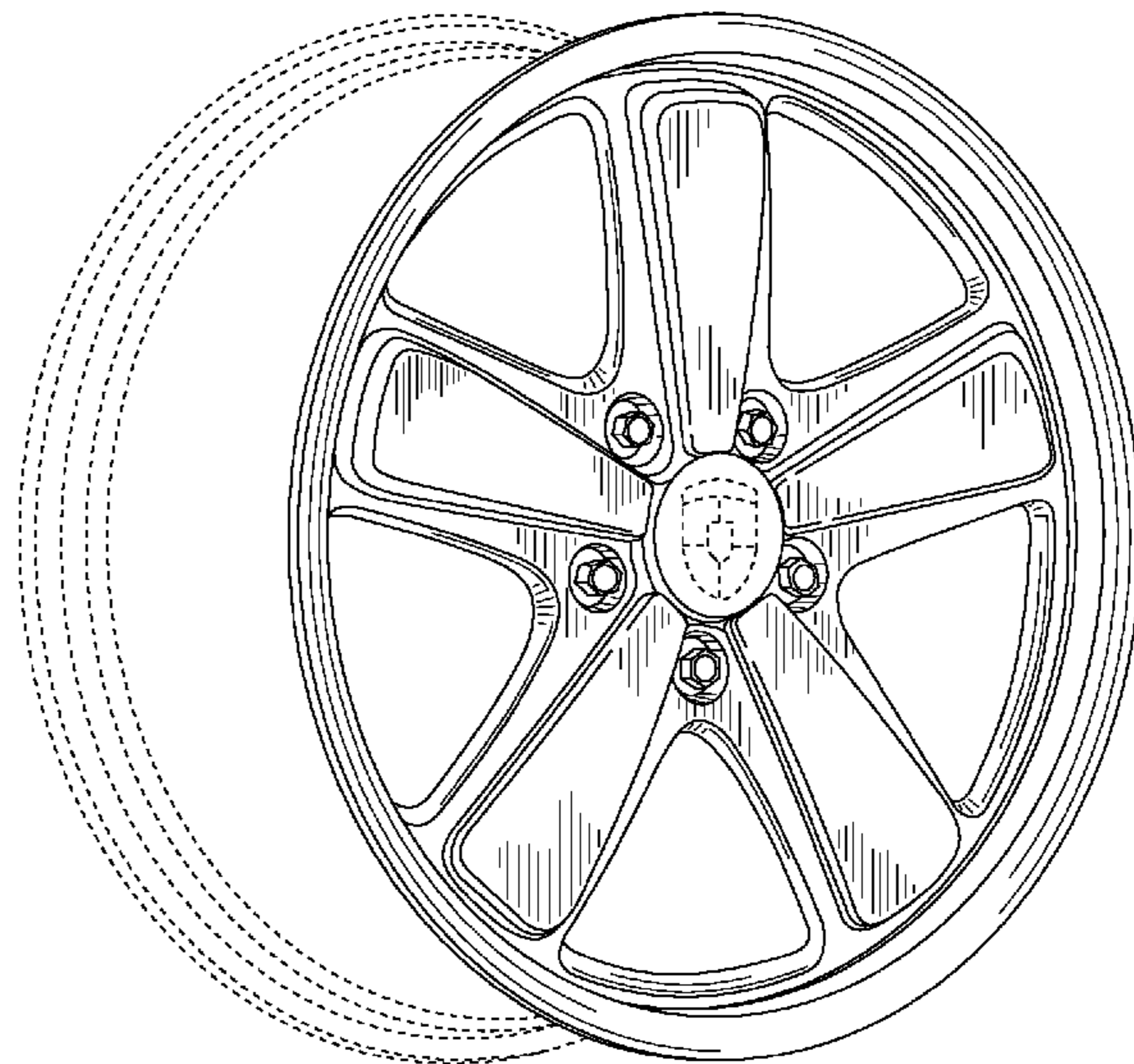
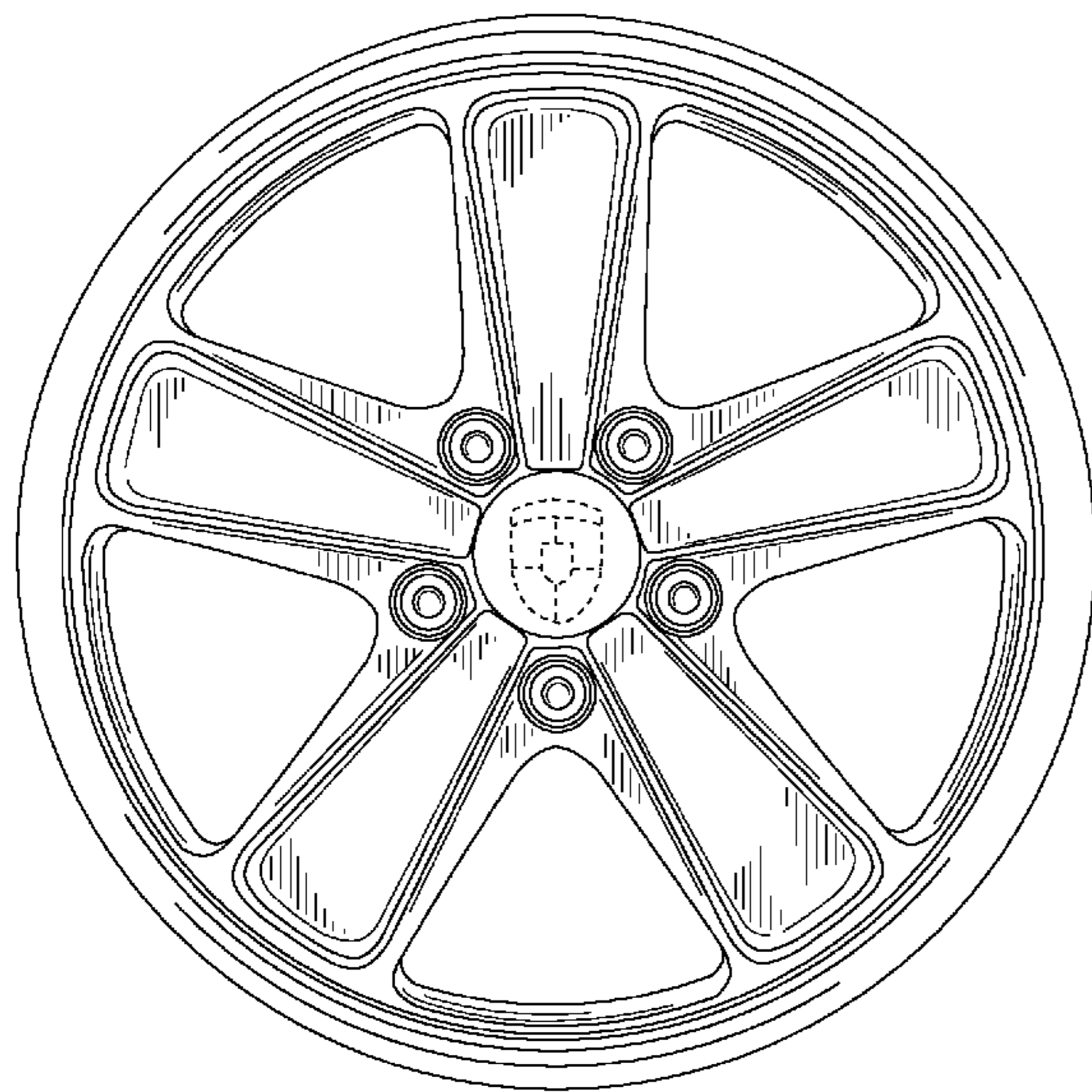
**DESCRIPTION**

FIG. 1 is the front view of the automobile wheel showing my new design; and,

FIG. 2 is a perspective view thereof.

The broken line depiction of the elements of the automobile wheel show portions of the automobile wheel that form no part of the claimed design.

**1 Claim, 2 Drawing Sheets**



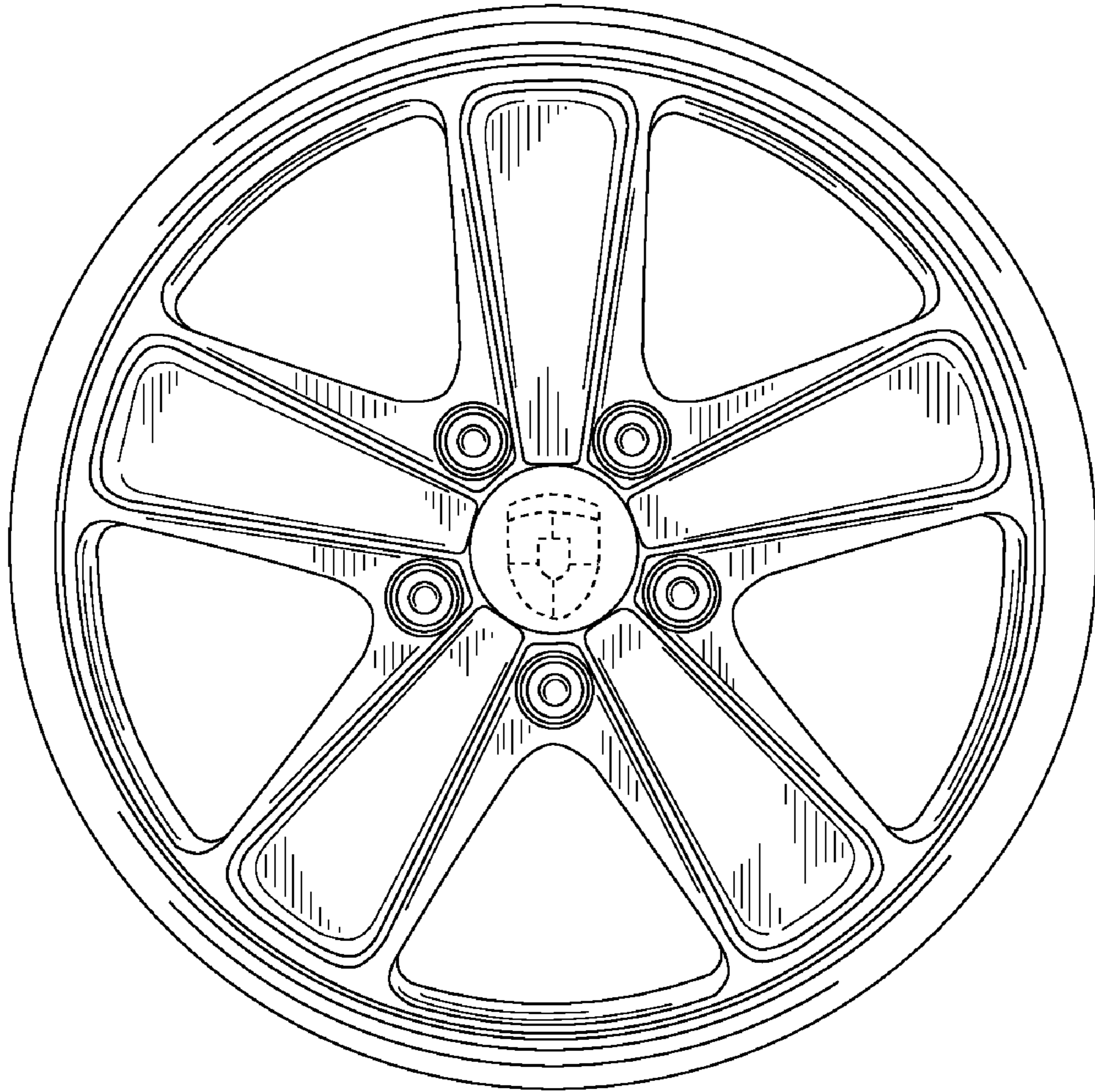


FIG. 1

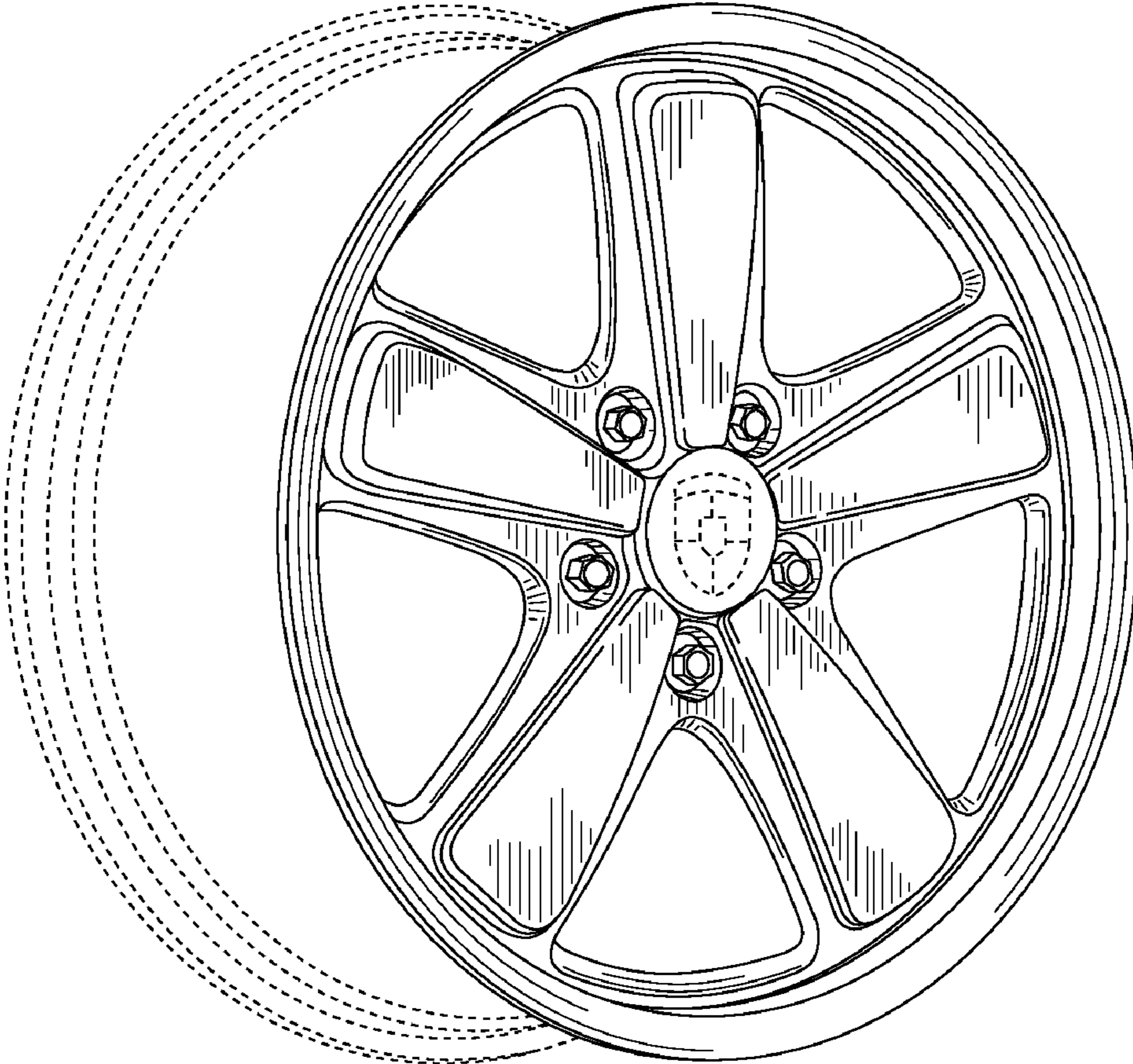


FIG.2