



US00D619071S

(12) **United States Design Patent**  
**Christensen et al.**

(10) **Patent No.:** **US D619,071 S**  
(45) **Date of Patent:** **\*\* Jul. 6, 2010**

(54) **PORTION OF A VEHICLE WHEEL**

(75) Inventors: **Michelle Lynn Christensen**, Pasadena, CA (US); **Christopher Ryan Bao**, Torrance, CA (US)

(73) Assignee: **Honda Motor Co., Ltd.**, Tokyo (JP)

(\*\*) Term: **14 Years**

(21) Appl. No.: **29/335,036**

(22) Filed: **Apr. 7, 2009**

**Related U.S. Application Data**

(63) Continuation of application No. 29/333,734, filed on Mar. 13, 2009, now abandoned.

(51) **LOC (9) Cl.** ..... **12-16**

(52) **U.S. Cl.** ..... **D12/211**

(58) **Field of Classification Search** ..... D12/204-213;  
301/37.101, 64.101, 65, 64.201

See application file for complete search history.

(56) **References Cited**

**U.S. PATENT DOCUMENTS**

D477,556 S \* 7/2003 Koch ..... D12/211

D486,772 S \* 2/2004 Warming ..... D12/211  
D508,007 S \* 8/2005 Koch ..... D12/211  
D513,728 S \* 1/2006 Yazawa et al. .... D12/211  
D525,184 S \* 7/2006 Huet ..... D12/211  
D528,491 S \* 9/2006 Wang Hsiao ..... D12/204  
D577,322 S \* 9/2008 Scheu ..... D12/209  
D584,211 S \* 1/2009 Farny ..... D12/211  
D593,476 S \* 6/2009 Juergens et al. .... D12/211  
D594,801 S \* 6/2009 Imai ..... D12/211  
D596,551 S \* 7/2009 Futschik et al. .... D12/211

\* cited by examiner

*Primary Examiner*—Stacia Cadmus

(74) *Attorney, Agent, or Firm*—Plumsea Law Group, LLC; Mark E. Duell

(57) **CLAIM**

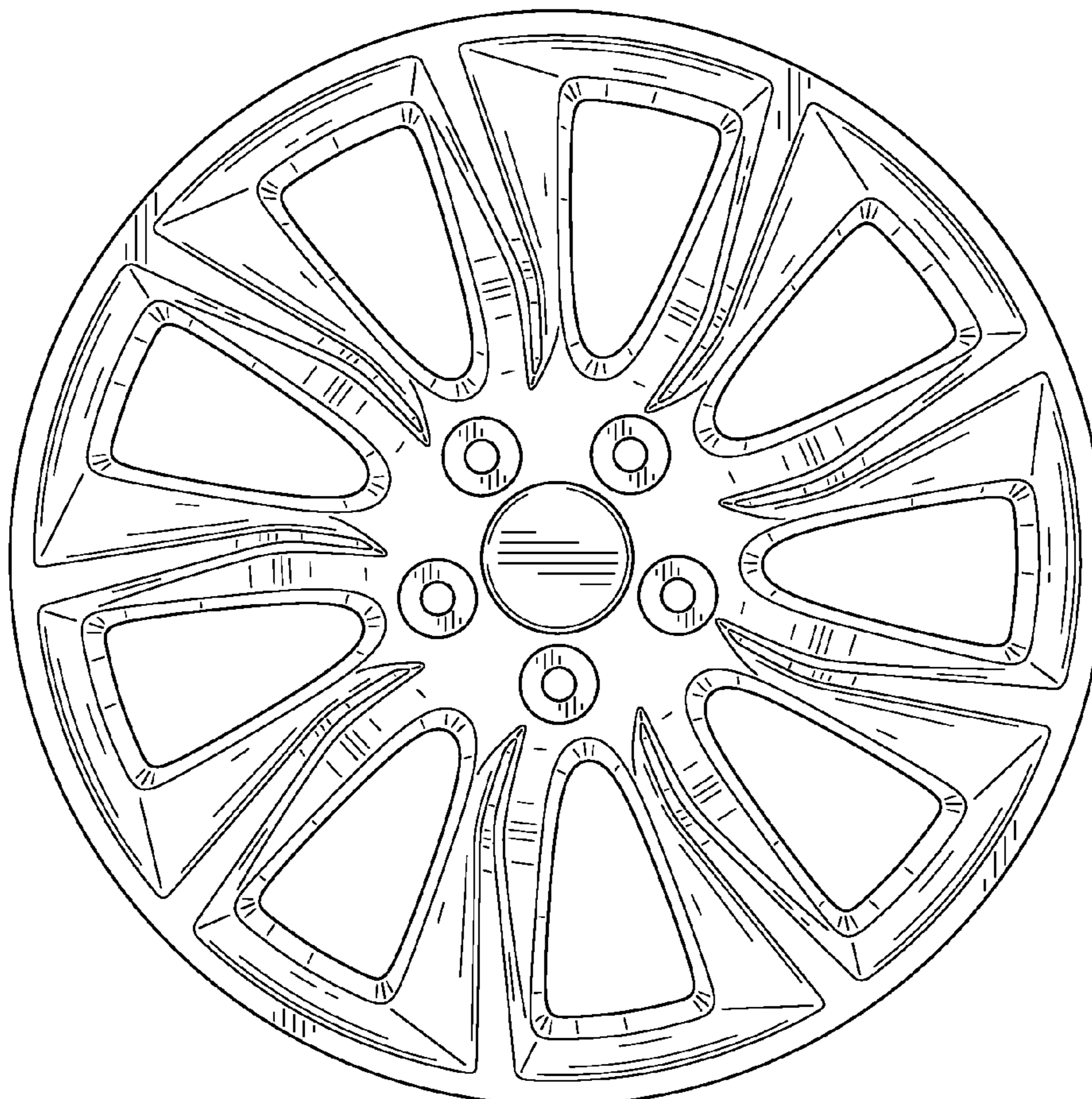
The ornamental design for a portion of a vehicle wheel, as shown and described.

**DESCRIPTION**

FIG. 1 is a perspective view of a portion of a vehicle wheel showing our new design; and,

FIG. 2 is an elevational view thereof.

**1 Claim, 2 Drawing Sheets**



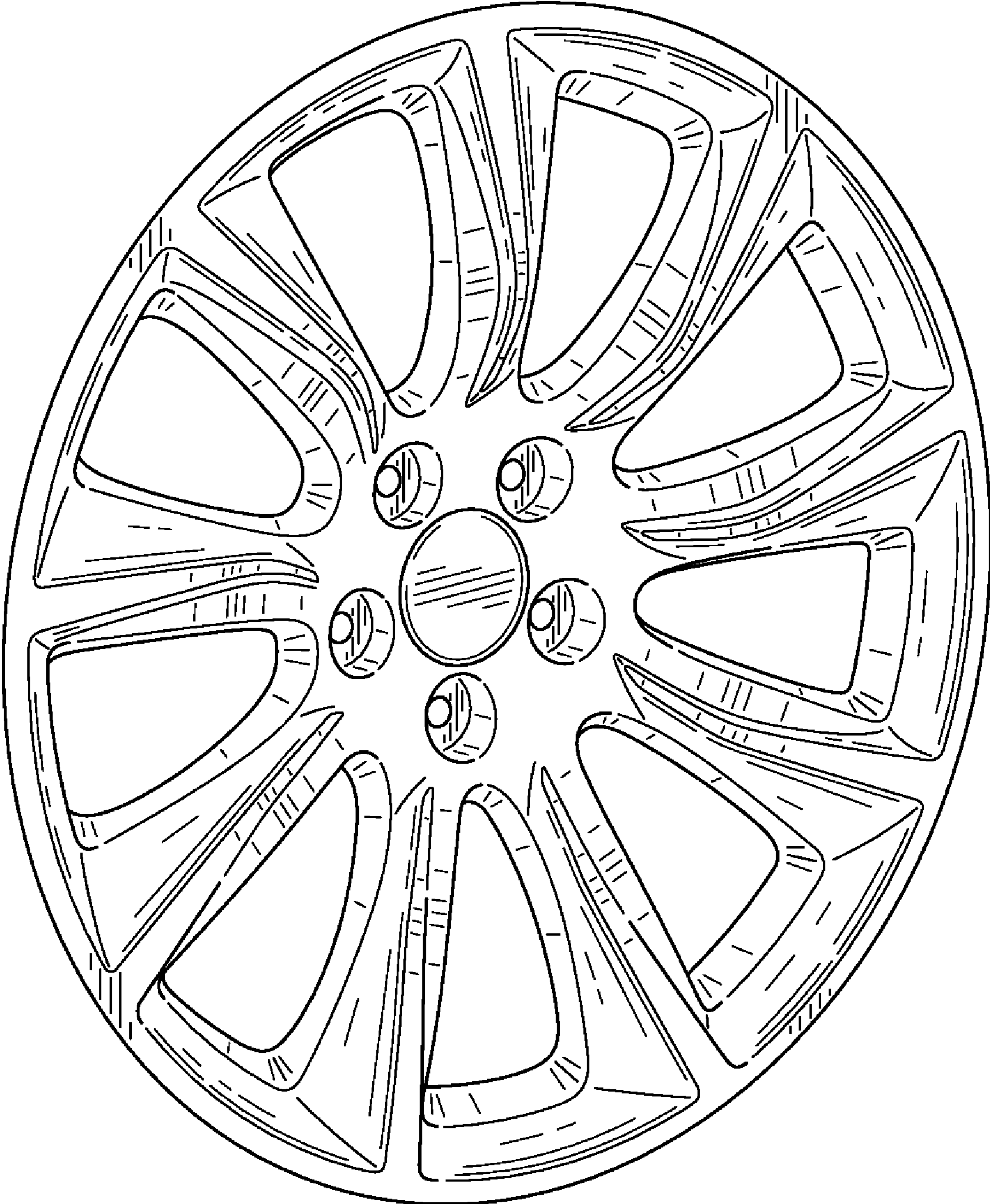


FIG. 1



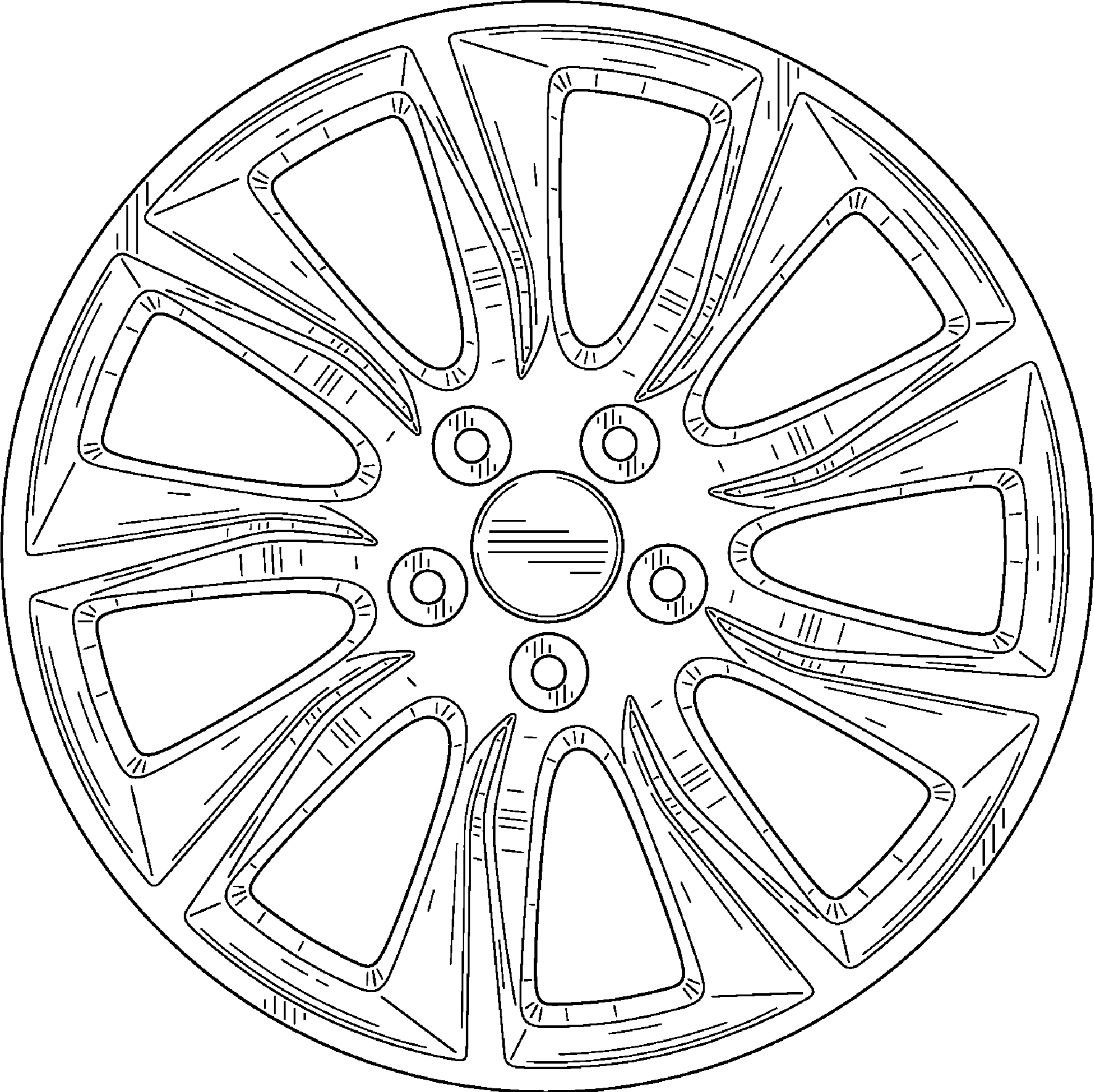


FIG. 2