



US00D619070S

(12) **United States Design Patent**  
**Pollmann**

(10) **Patent No.:** **US D619,070 S**

(45) **Date of Patent:** **\*\* Jul. 6, 2010**

(54) **WHEEL OR WHEEL COVER**

(75) Inventor: **Gert Pollmann**, Boehmfeld (DE)

(73) Assignee: **Bayerische Motoren Werke Aktiengesellschaft**, Munich (DE)

(\*\*) Term: **14 Years**

(21) Appl. No.: **29/350,140**

(22) Filed: **Nov. 12, 2009**

(30) **Foreign Application Priority Data**

May 13, 2009 (DE) ..... 402009002491

(51) **LOC (9) Cl.** ..... **12-16**

(52) **U.S. Cl.** ..... **D12/209**

(58) **Field of Classification Search** ..... D12/204-213;  
301/37.101, 64.101, 65, 64.201  
See application file for complete search history.

(56) **References Cited**

**U.S. PATENT DOCUMENTS**

D402,952 S	12/1998	Sycha	
D403,648 S *	1/1999	Feriero	D12/209
D420,637 S *	2/2000	Glade	D12/209
D437,821 S	2/2001	Frohlich	
D452,839 S	1/2002	Muth et al.	
D470,093 S *	2/2003	Frizzi	D12/209
D471,851 S *	3/2003	McMath	D12/209
D486,111 S	2/2004	Weidhase	
D486,770 S *	2/2004	Pollmann	D12/209
D495,985 S *	9/2004	Lai	D12/209
D504,098 S *	4/2005	Gallert	D12/209
D504,100 S	4/2005	Pollmann	
D516,487 S *	3/2006	Hettler	D12/209
D526,262 S *	8/2006	Guevara	D12/209
D526,946 S *	8/2006	Takechi	D12/209

D542,726 S *	5/2007	Hieke	D12/209
D567,167 S	4/2008	Forster	
D570,758 S *	6/2008	Bhambra	D12/209
D574,310 S *	8/2008	Huet	D12/209
D583,740 S	12/2008	Frizzi	
D585,804 S *	2/2009	Pfeiffer	D12/209
D608,714 S *	1/2010	Bucher et al.	D12/209

**FOREIGN PATENT DOCUMENTS**

DE	M9704929.8	11/1997
DE	49904345.6	11/1999
DE	49906969.2	12/1999
DE	40010998.0	3/2001
DE	40107972.4	1/2002
EM	000090410-0003	3/2004
EM	000106513-0005	12/2004
EM	000735758-0006	7/2007
EM	000923388-0001	5/2008
EM	001049324-0002	9/2009

\* cited by examiner

*Primary Examiner*—Stacia Cadmus

(74) *Attorney, Agent, or Firm*—Crowell & Moring LLP

(57) **CLAIM**

The ornamental design for a wheel or wheel cover, as shown and described.

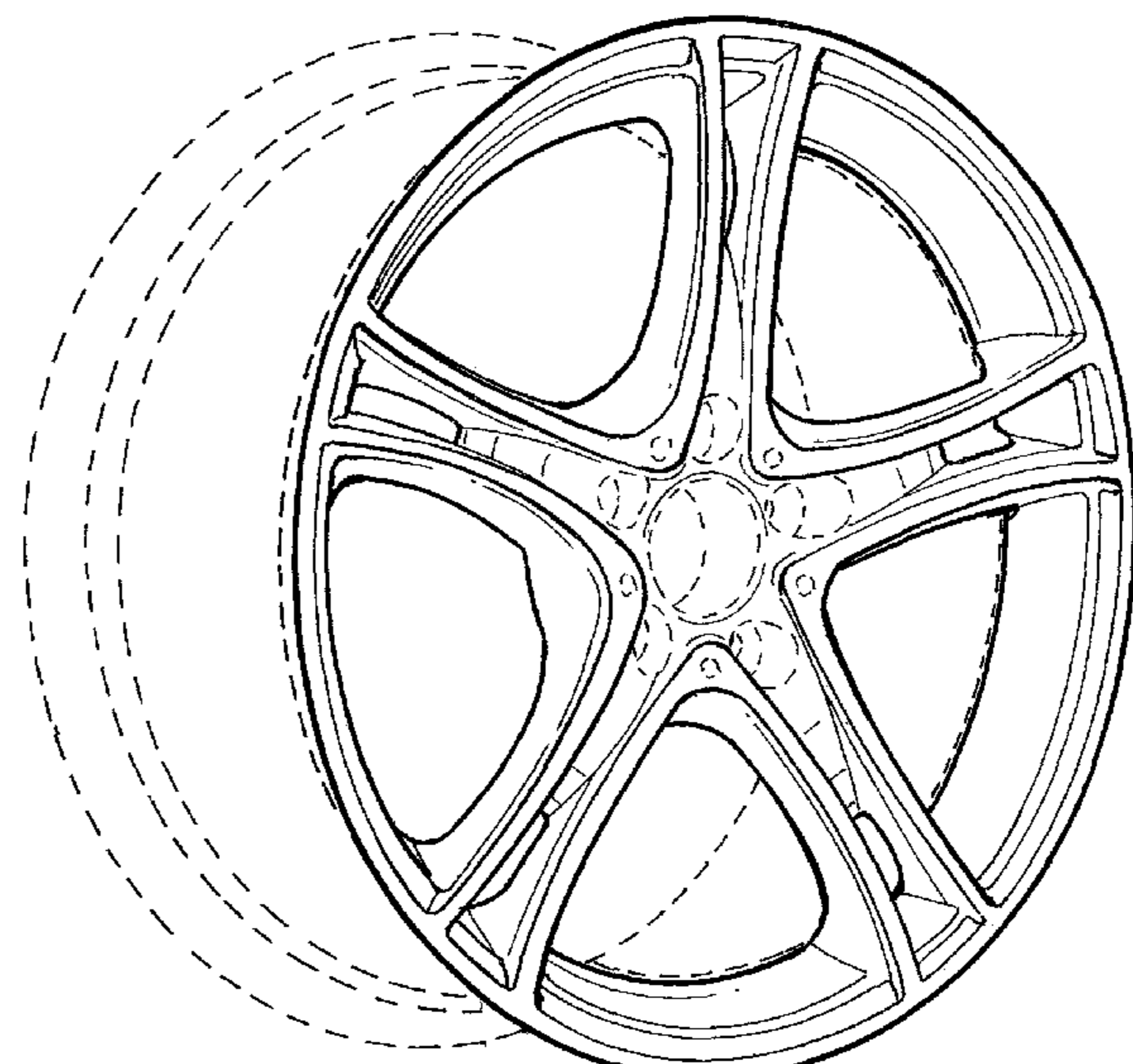
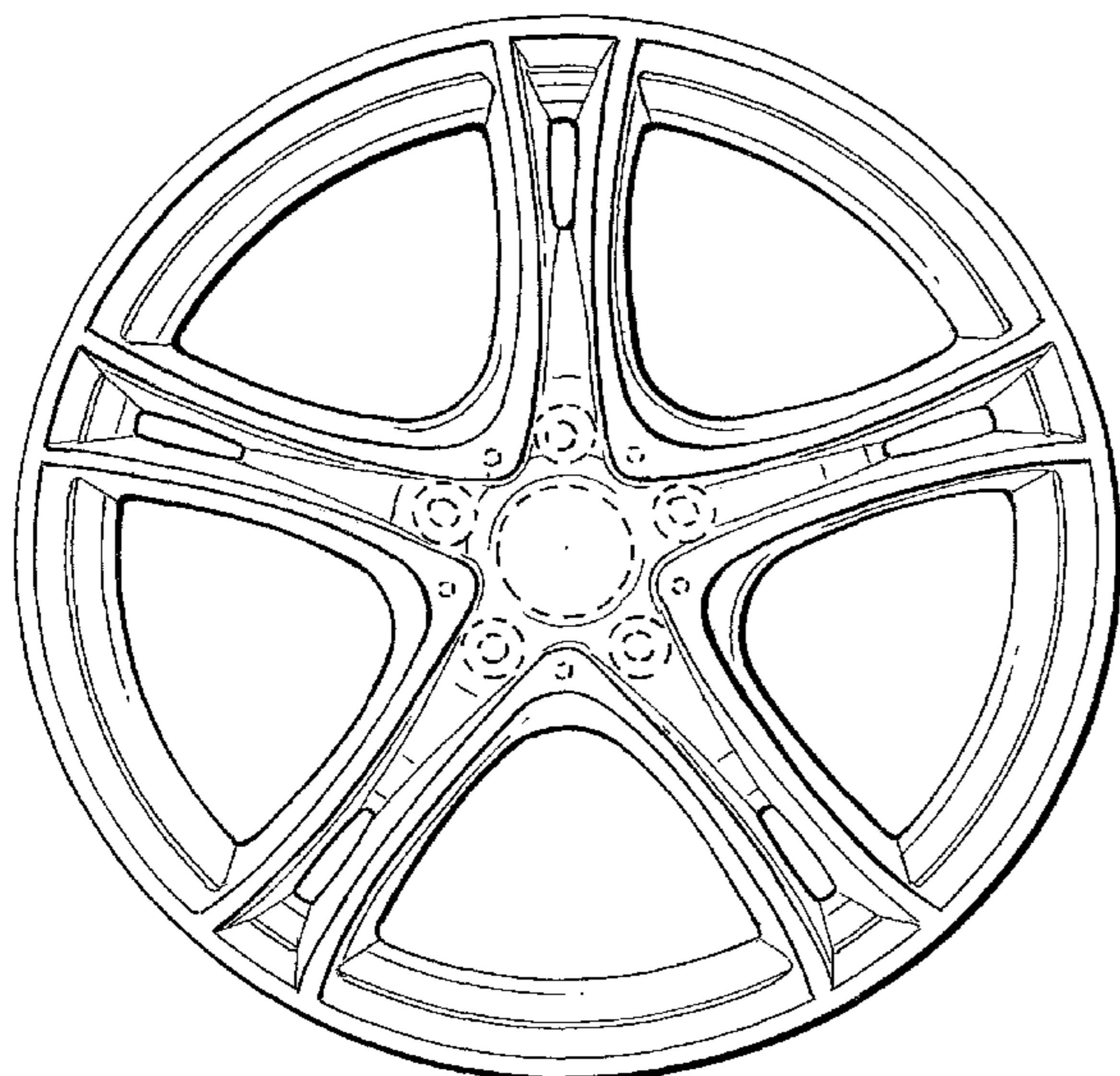
**DESCRIPTION**

FIG. 1 is a front view of a wheel or wheel cover according to my design; and,

FIG. 2 is a perspective view thereof.

The broken line showing of the rear of the rim and the bolt holes and center hole in the central hub area is included for the purpose of illustrating environment and forms no part of the claimed design.

**1 Claim, 1 Drawing Sheet**



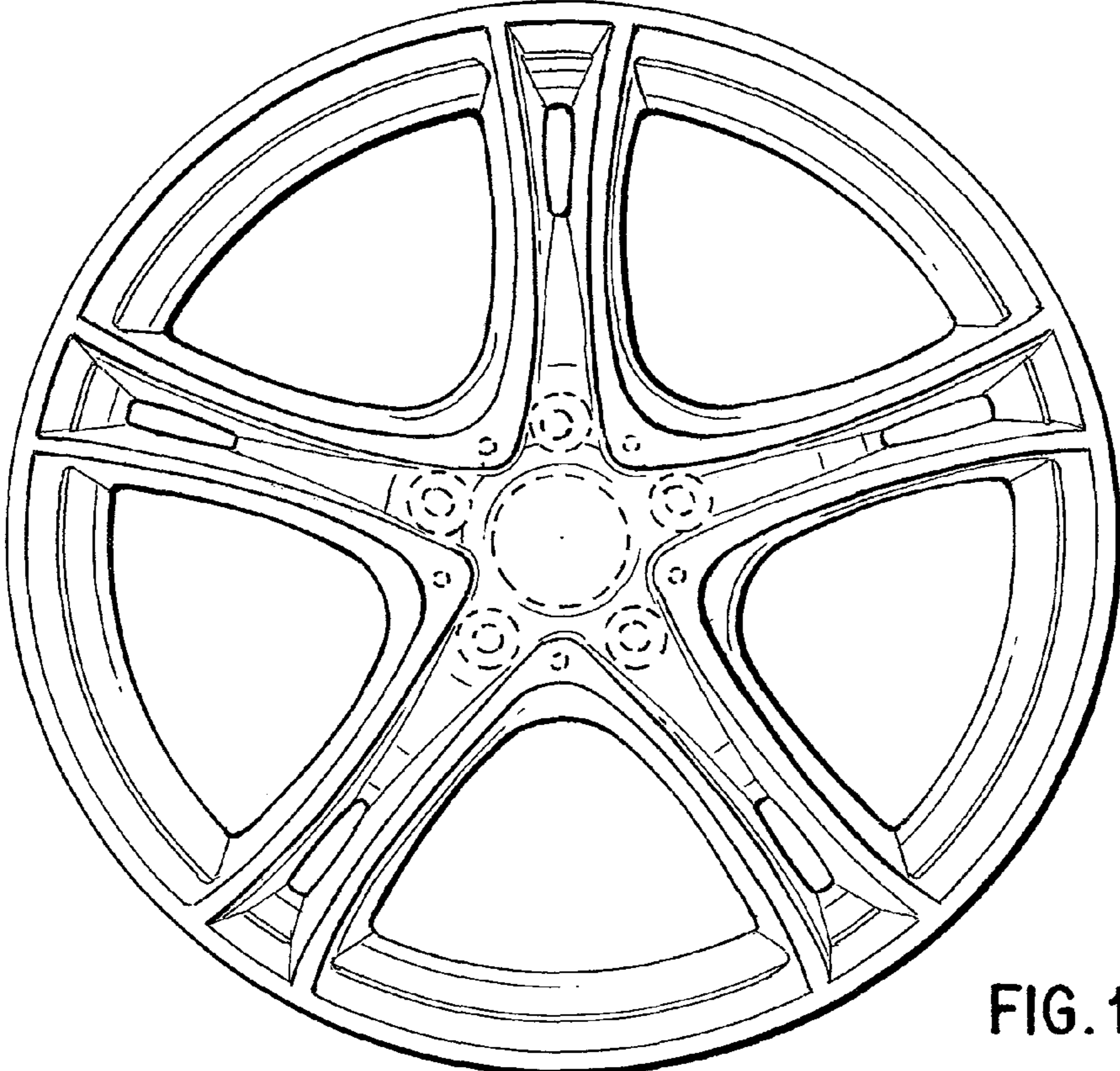


FIG. 1

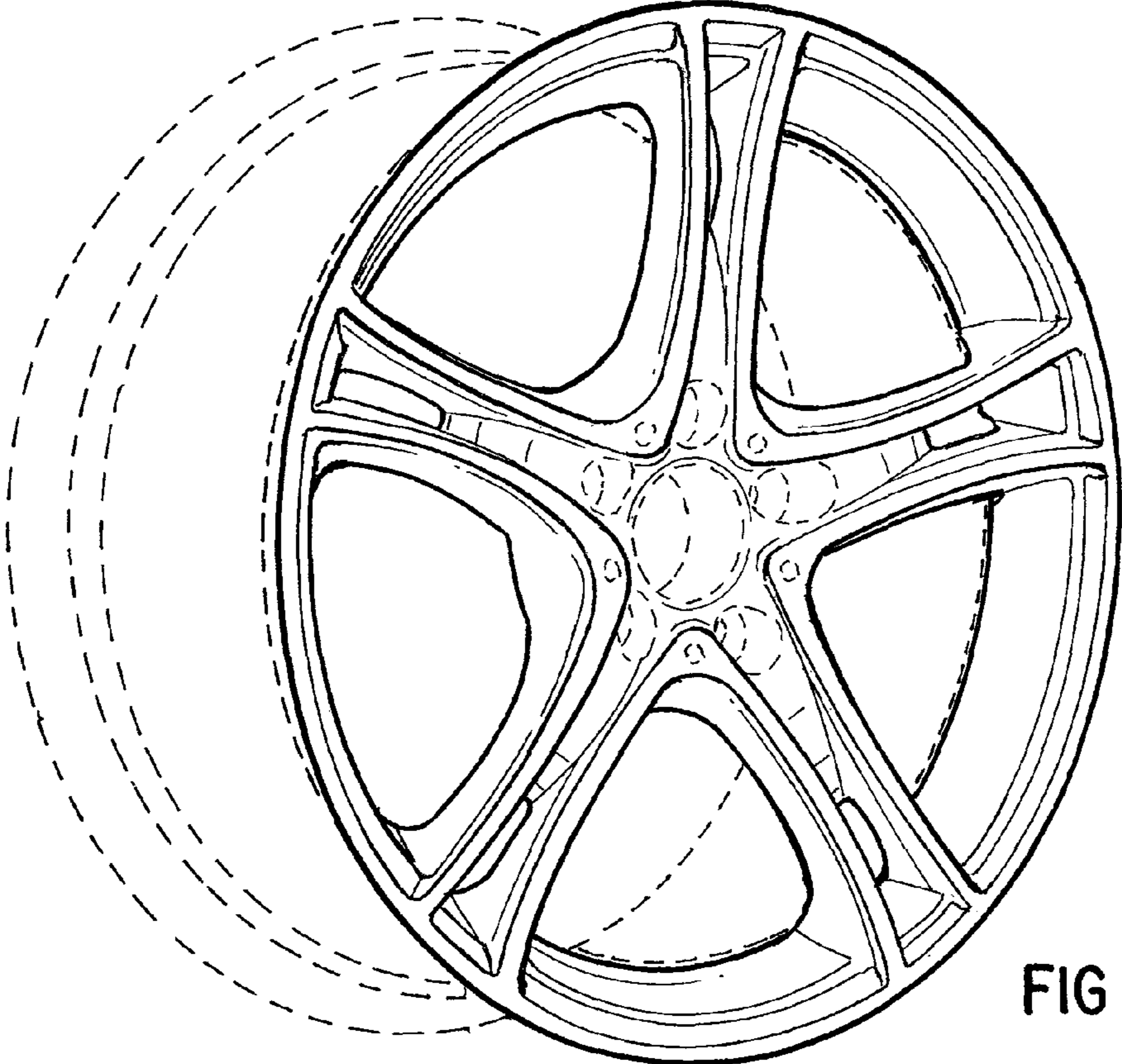


FIG. 2