



US00D619069S

(12) **United States Design Patent**
Patel

(10) **Patent No.:** **US D619,069 S**
(45) **Date of Patent:** **** Jul. 6, 2010**

(54) **WHEEL**
(75) Inventor: **Chirag Patel**, Long Beach, CA (US)
(73) Assignee: **Honda Motor Co., Ltd.**, Tokyo (JP)
(**) Term: **14 Years**
(21) Appl. No.: **29/346,356**
(22) Filed: **Oct. 30, 2009**

(51) **LOC (9) Cl.** **12-16**
(52) **U.S. Cl.** **D12/209; 12/16**
(58) **Field of Classification Search** D12/204-213;
301/37.101, 64.101, 65, 64.201
See application file for complete search history.

(56) **References Cited**

U.S. PATENT DOCUMENTS

D481,347 S * 10/2003 Kang D12/211
D493,405 S * 7/2004 Boyer D12/211
D497,132 S * 10/2004 Lee D12/209
D499,681 S * 12/2004 Boyer D12/209
D504,649 S * 5/2005 Pfeiffer D12/209

D504,858 S * 5/2005 Pfeiffer D12/209
D513,221 S * 12/2005 Pfeiffer D12/211
D513,726 S * 1/2006 Kamimura D12/211
D519,434 S * 4/2006 Werner D12/211
D529,429 S * 10/2006 Hsu D12/209
D549,633 S * 8/2007 Sycha D12/209
D555,566 S * 11/2007 Hlinovsky D12/209
D576,534 S * 9/2008 Pfeiffer D12/209
D581,339 S * 11/2008 Schweizer D12/209
D589,864 S * 4/2009 Friedrich et al. D12/209

* cited by examiner

Primary Examiner—Stacia Cadmus

(74) *Attorney, Agent, or Firm*—Plumsea Law Group, LLC;
Mark E. Duell

(57) **CLAIM**

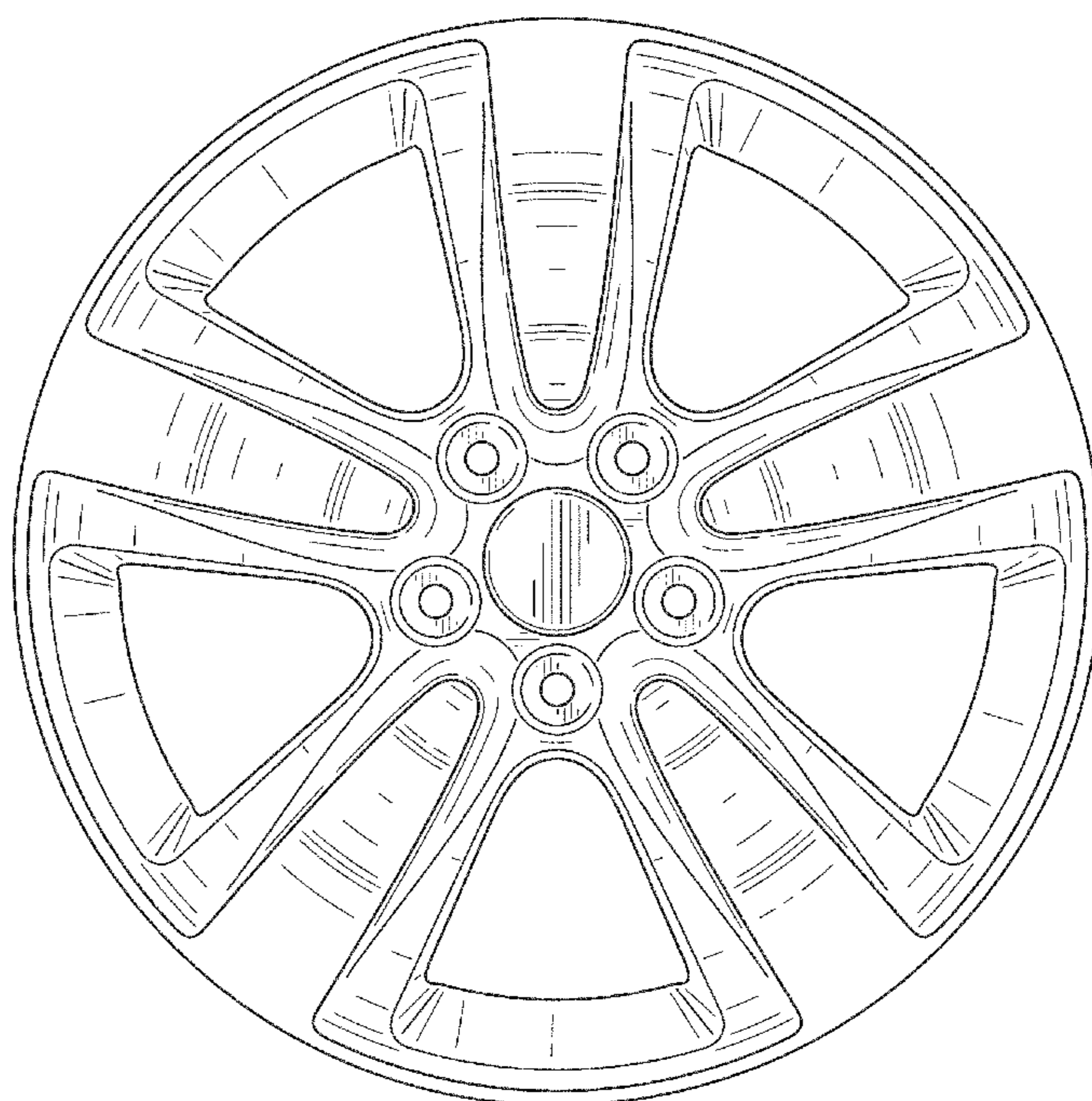
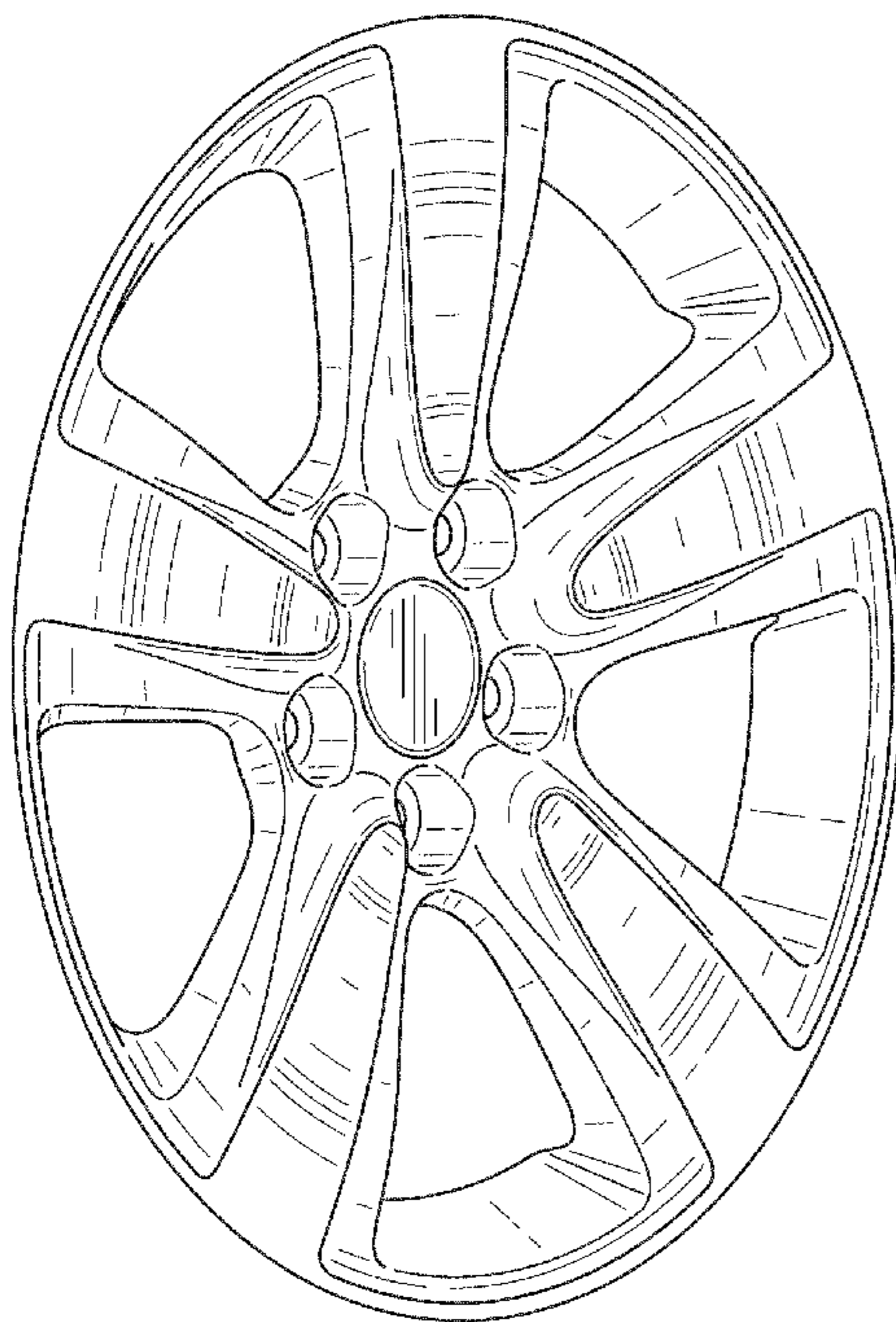
The ornamental design for a wheel, as shown and described.

DESCRIPTION

FIG. 1 is a perspective view of a wheel showing my new design; and,

FIG. 2 is a front view thereof.

1 Claim, 2 Drawing Sheets



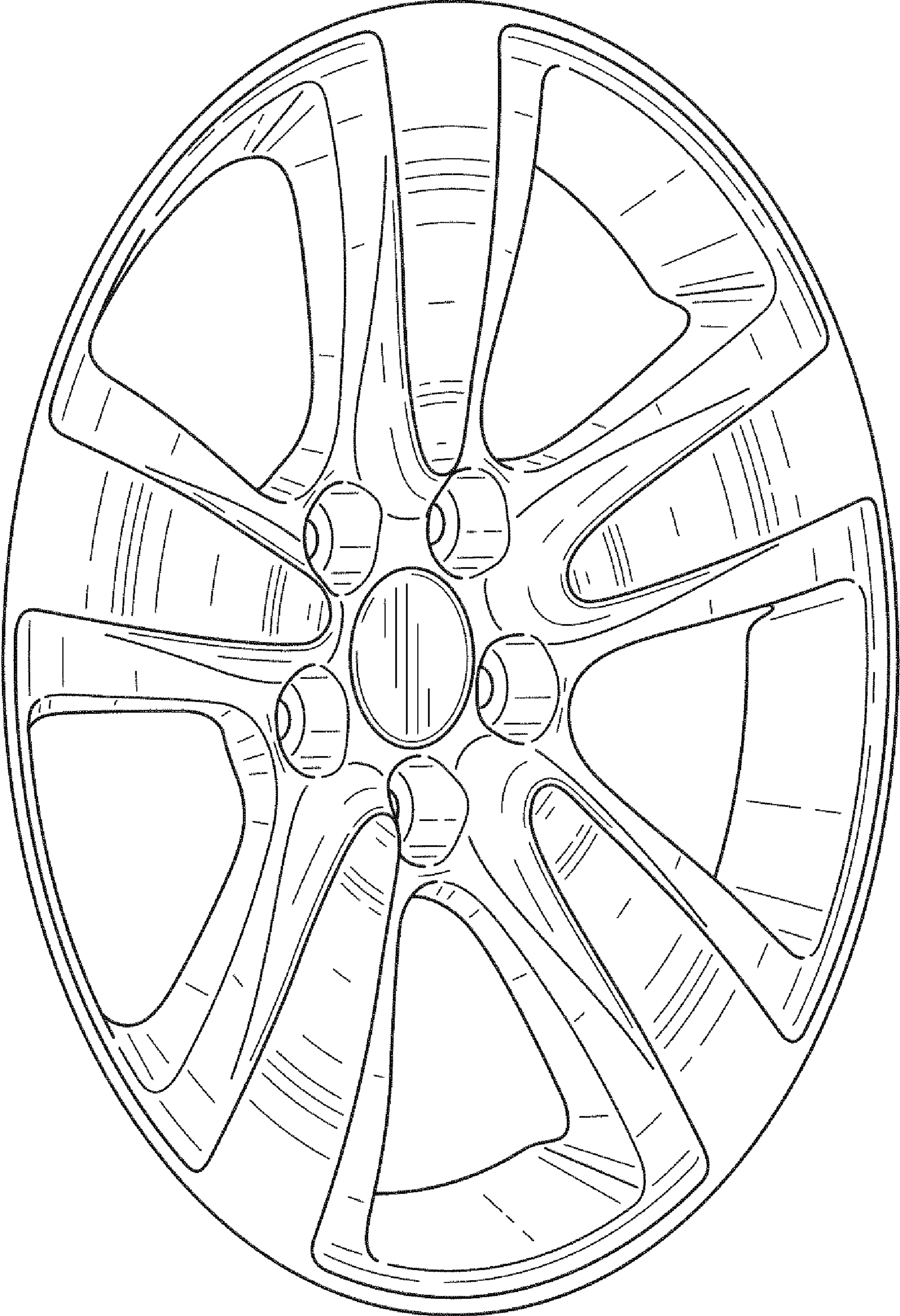


FIG. 1

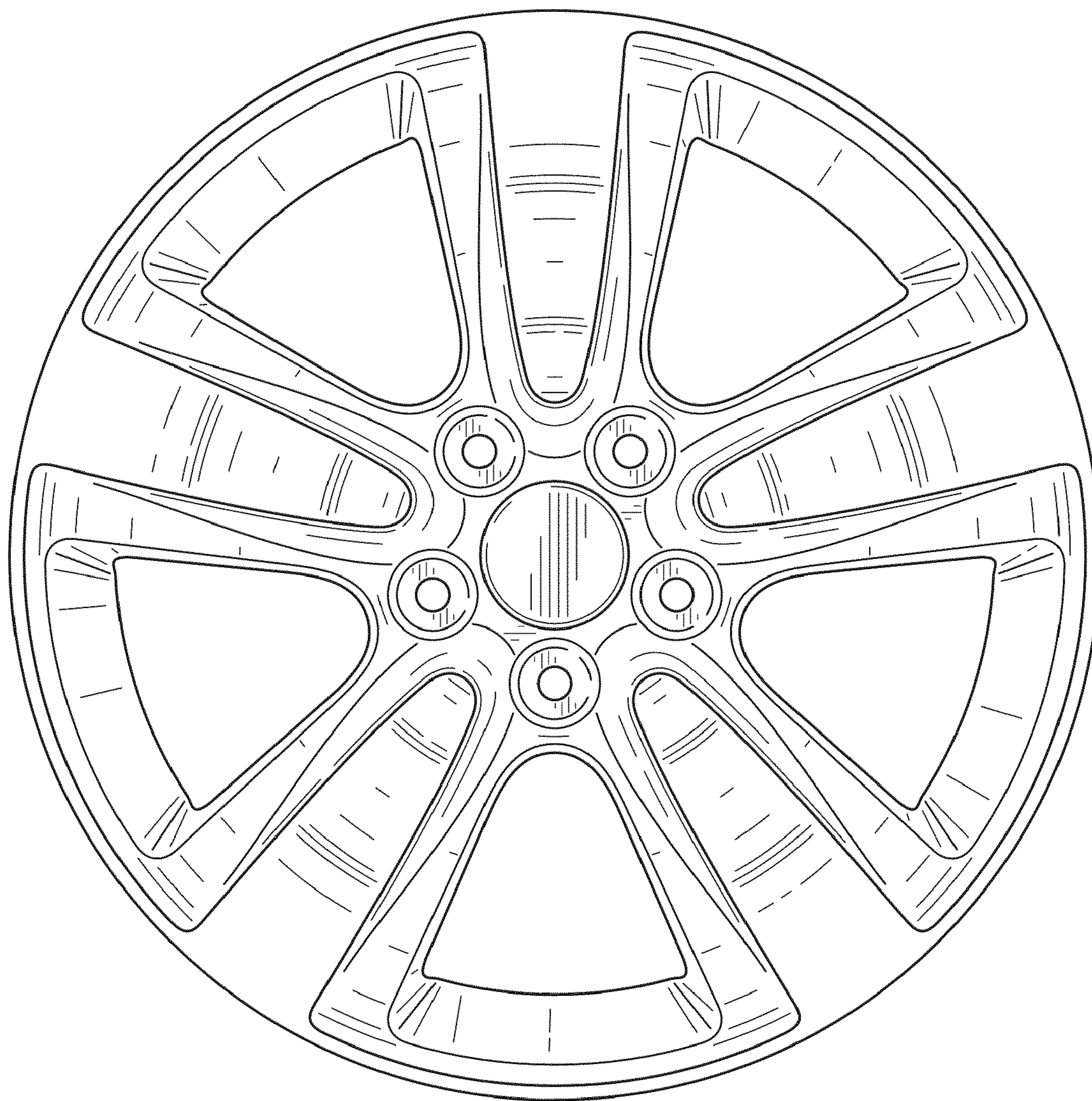


FIG. 2