



US00D619067S

(12) **United States Design Patent**  
**Lemon**

(10) **Patent No.:** **US D619,067 S**

(45) **Date of Patent:** **\*\* Jul. 6, 2010**

(54) **EXHAUST PIPE SET FOR A MINI VAN** 2005/0161283 A1\* 7/2005 Emler ..... 181/249

(76) Inventor: **Shawna Cannon Lemon**, 301  
Keybridge Dr., Morrisville, NC (US)  
27560

(Continued)

**FOREIGN PATENT DOCUMENTS**

(\*\*) Term: **14 Years**

EP 271465 A2 \* 6/1988

(21) Appl. No.: **29/312,543**

(Continued)

(22) Filed: **Oct. 29, 2008**

**OTHER PUBLICATIONS**

(51) **LOC (9) Cl.** ..... **12-16**

(52) **U.S. Cl.** ..... **D12/194**

(58) **Field of Classification Search** ..... D12/194;  
138/37-39, 44, 103, 109; 180/89.2, 296,  
180/309; 181/227, 228, 239-241, 247-249,  
181/264, 282; 29/890.08; D15/5; 60/303,  
60/313, 323; 293/113

<http://www.grounddynamics.com> (95-98 Honda Odyssey Body Kits) (viewed Apr. 28, 2009).

(Continued)

*Primary Examiner*—T. Chase Nelson  
*Assistant Examiner*—Michael A Pratt

See application file for complete search history.

(57) **CLAIM**

(56) **References Cited**

The ornamental design for exhaust pipe set for a mini van, substantially as shown and described.

**U.S. PATENT DOCUMENTS**

4,478,310	A *	10/1984	Harter	.....	181/241
5,108,333	A *	4/1992	Heider et al.	.....	445/26
5,198,625	A *	3/1993	Borla	.....	181/248
5,200,582	A *	4/1993	Kraai et al.	.....	181/256
D435,815	S *	1/2001	Larson	.....	D12/169
6,196,351	B1 *	3/2001	Clokey et al.	.....	181/252
D467,209	S *	12/2002	Burns	.....	D12/194
D488,114	S *	4/2004	Kulla	.....	D12/194
D488,755	S *	4/2004	Kulla	.....	D12/194
7,007,720	B1 *	3/2006	Chase et al.	.....	138/110
D534,469	S *	1/2007	Murkett	.....	D12/194
D534,848	S *	1/2007	Murkett	.....	D12/194
D539,715	S *	4/2007	Lai	.....	D12/194
D540,231	S *	4/2007	Braun et al.	.....	D12/194
7,243,757	B2 *	7/2007	Stuber	.....	181/270
D553,062	S *	10/2007	Murkett	.....	D12/194
D558,111	S *	12/2007	Banks, III	.....	D12/194
D559,753	S *	1/2008	Pfeiffer	.....	D12/194
D573,521	S *	7/2008	Hsu	.....	D12/194
D578,050	S *	10/2008	Hsu	.....	D12/194
D579,392	S *	10/2008	Saracoglu	.....	D12/194
2004/0050618	A1 *	3/2004	Marocco	.....	181/248

**DESCRIPTION**

FIG. 1 is a partial perspective view of the present design showing exhaust pipe set for a mini van;

FIG. 2 is a rear view thereof;

FIG. 3 is a partial perspective view of another embodiment of the present design;

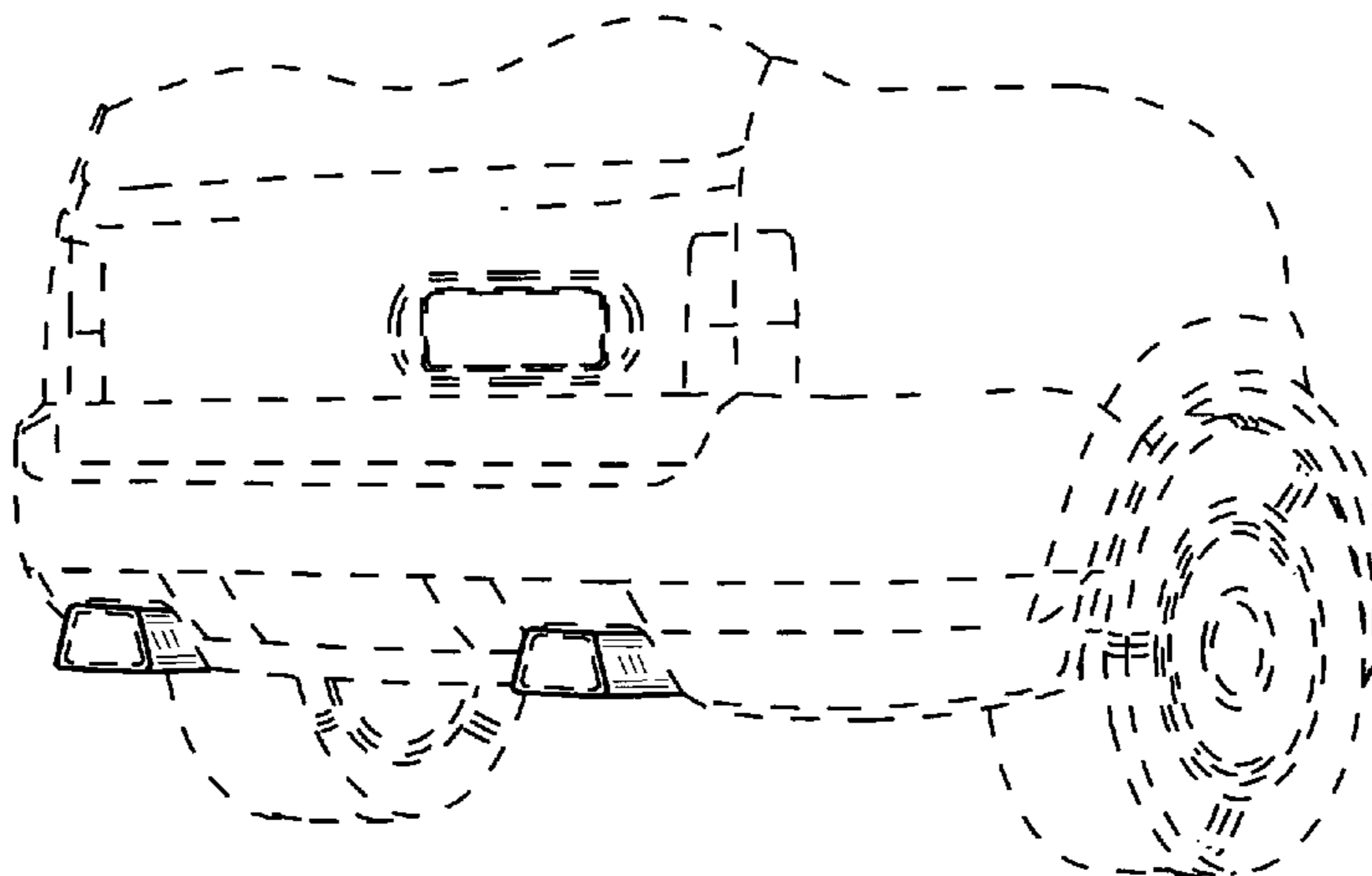
FIG. 4 is a rear view of FIG. 3;

FIG. 5 is a side view of the embodiment of FIG. 1, the opposite side being a mirror image thereof; and,

FIG. 6 is a side view of the embodiment of FIG. 3, the opposite side being a mirror image thereof.

The bottom view is disclaimed herein. The broken lines shown herein (portions of the design shown in broken/dashed lines) are for illustrative purposes only and form no part of the claimed design.

**1 Claim, 3 Drawing Sheets**



# US D619,067 S

Page 2

---

## U.S. PATENT DOCUMENTS

2009/0127025 A1\* 5/2009 Rimback ..... 181/282

## FOREIGN PATENT DOCUMENTS

JP 59183018 A \* 10/1984  
JP 61040409 A \* 2/1986

## OTHER PUBLICATIONS

<http://www.grounddynamics.com> (99-03 Honda Odyssey Body Kits) (viewed Apr. 28, 2009).

09 Honda Odyssey brochure, American Honda Motor Co., Inc. (USA 2008).

Paul Hochman, *Pimp out your family minivan with accessories*, MSNBC.com (Sep. 27, 2006).

\* cited by examiner

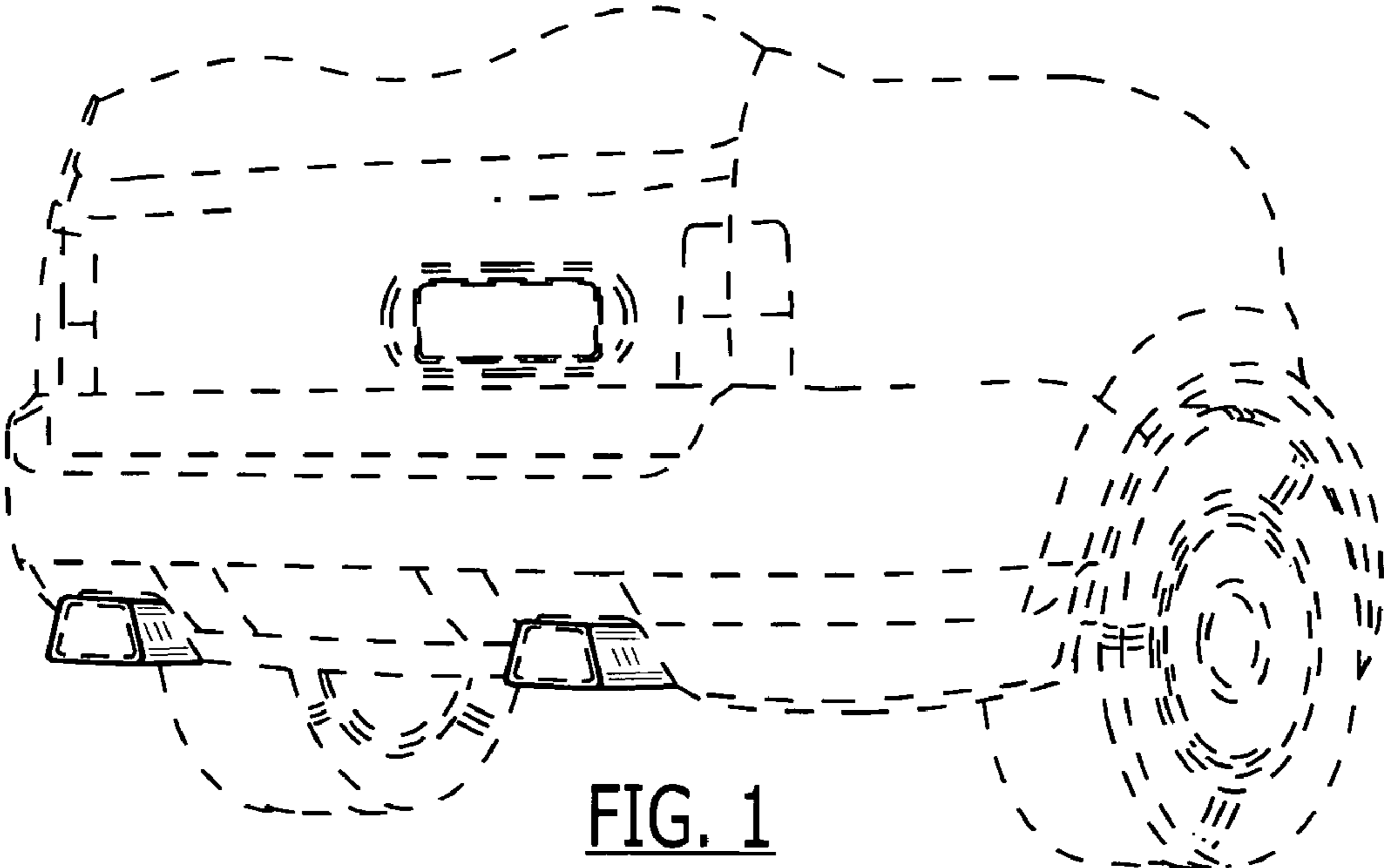


FIG. 1

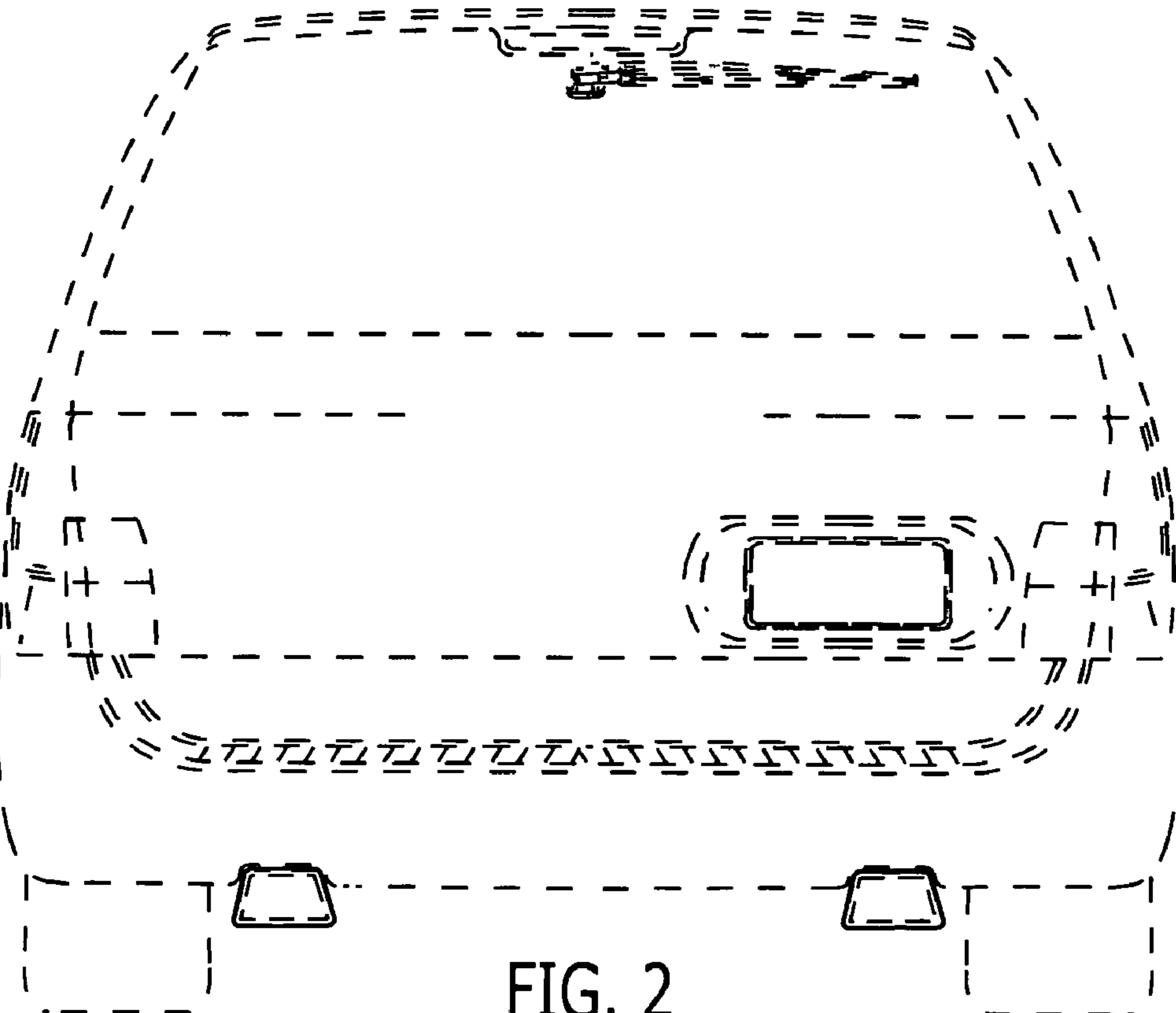


FIG. 2

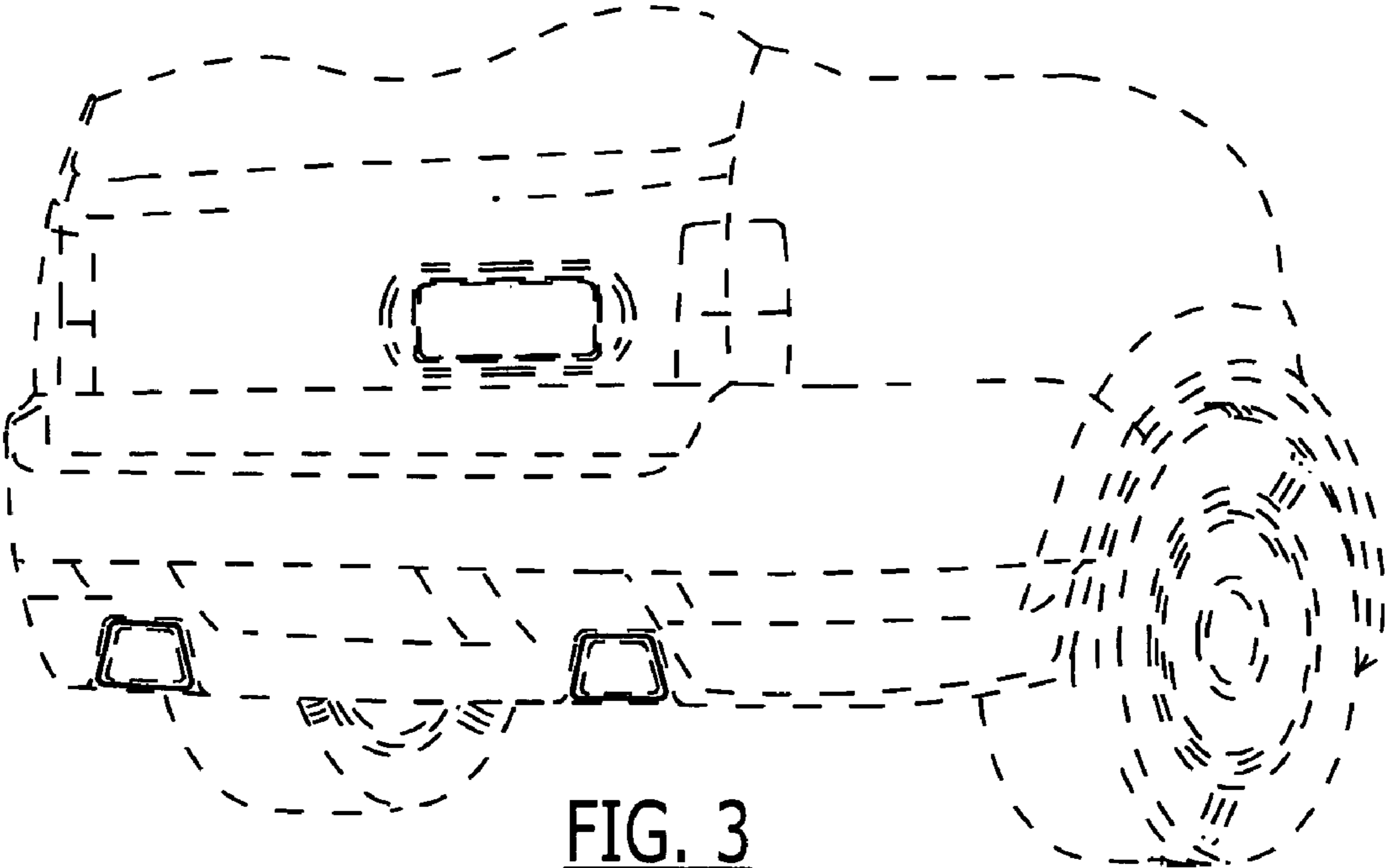


FIG. 3

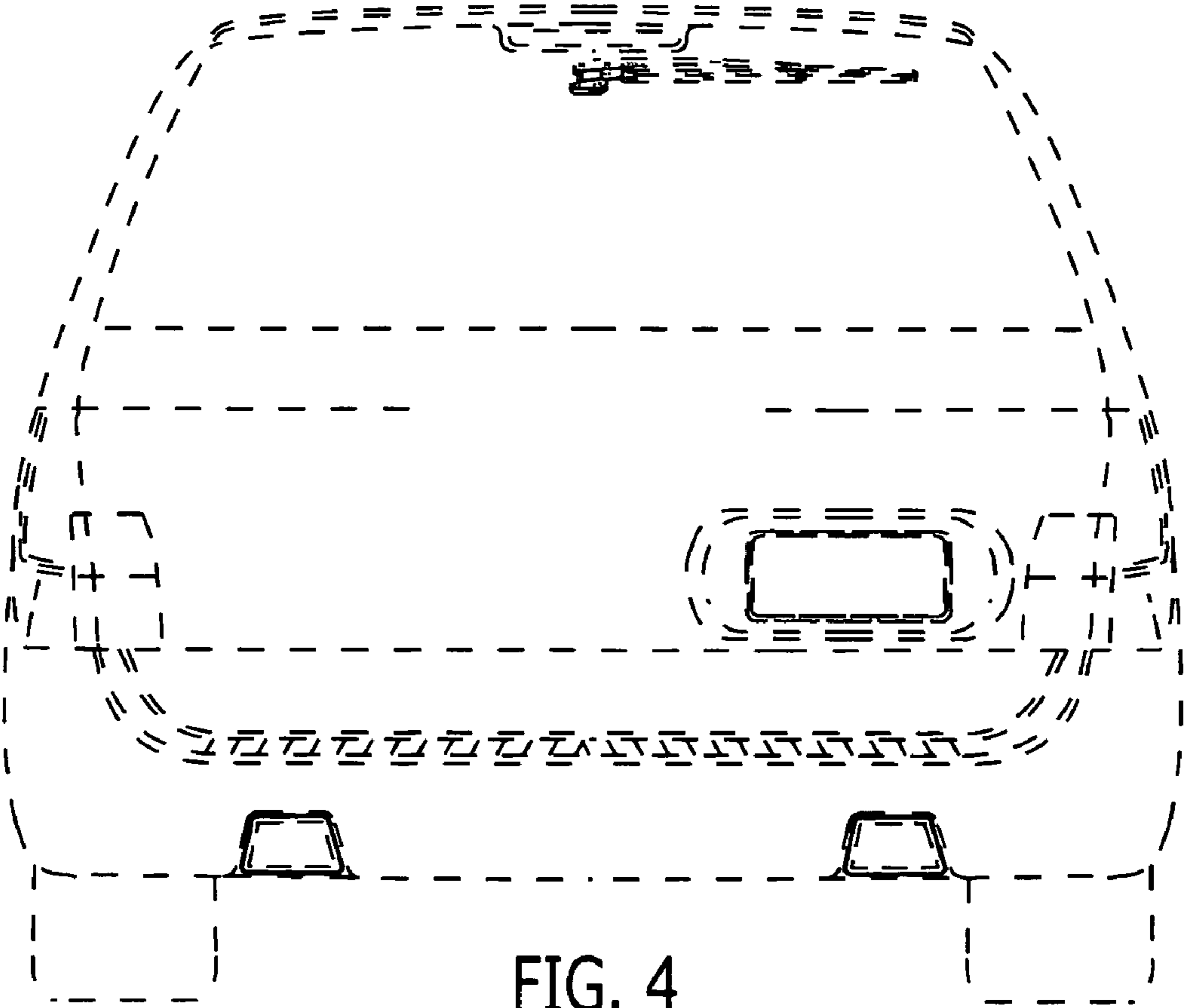


FIG. 4

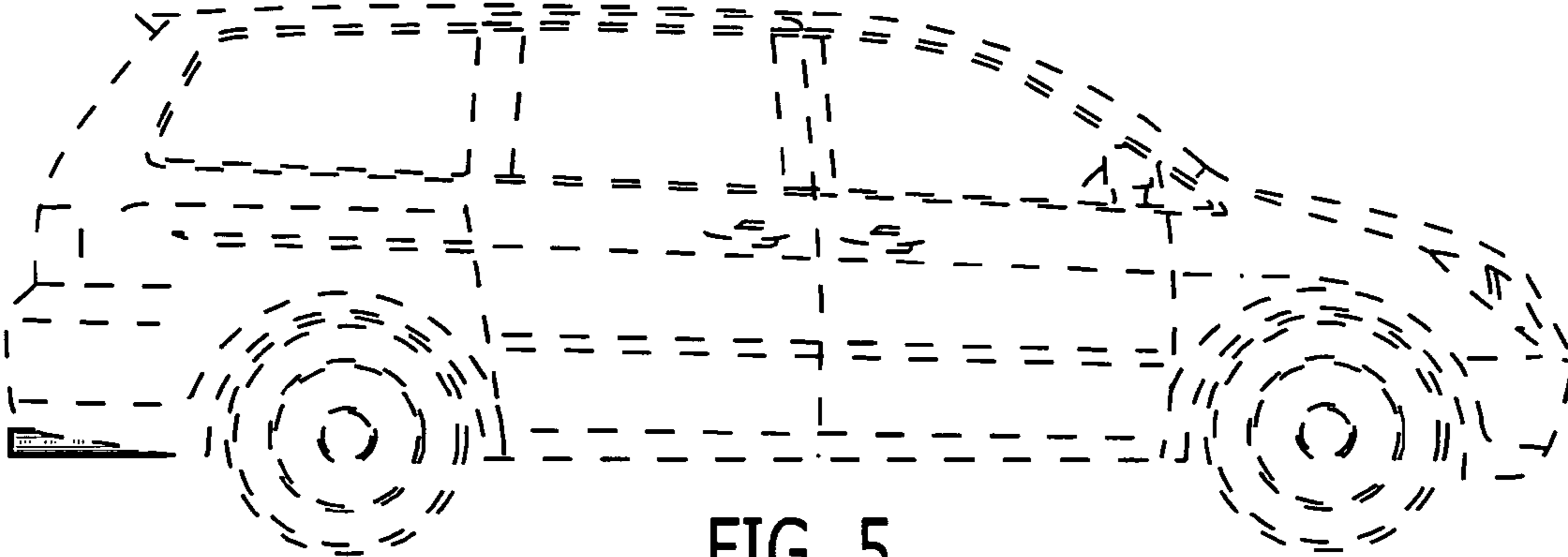


FIG. 5

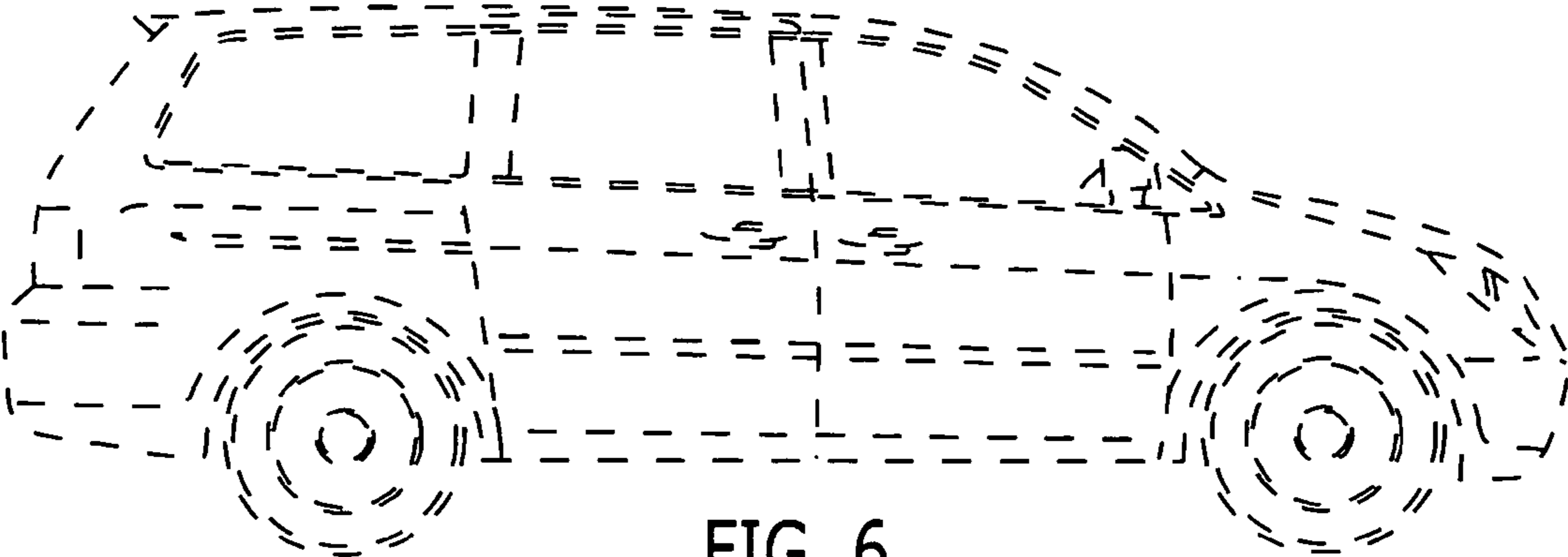


FIG. 6