



US00D619063S

(12) **United States Design Patent**  
**Veneziano et al.**

(10) **Patent No.:** **US D619,063 S**  
(45) **Date of Patent:** **\*\* Jul. 6, 2010**

(54) **CALIPER FOR DISC BRAKES**

(75) Inventors: **Aristide Veneziano**, Bergamo (IT);  
**Alberto Previtali**, Bergamo (IT)

(73) Assignee: **Freni Brembo S.p.A.**, Curno (Bergamo)  
(IT)

(\*\*) Term: **14 Years**

(21) Appl. No.: **29/299,327**

(22) Filed: **Dec. 21, 2007**

(30) **Foreign Application Priority Data**

Jul. 13, 2007 (EM) ..... 000775150

(51) **LOC (9) Cl.** ..... **12-16**

(52) **U.S. Cl.** ..... **D12/180**

(58) **Field of Classification Search** ..... D12/180;  
188/73.3, 71.1, 73.31-73.39, 72.4, 72.2,  
188/73.41-73.46, 370, 218 XL, 1.11 W, 24.11-24.22,  
188/250 B, 73.1, 250 R; D8/333, 334  
See application file for complete search history.

(56) **References Cited**

**U.S. PATENT DOCUMENTS**

5,343,985 A \* 9/1994 Thiel et al. .... 188/72.5  
D373,340 S \* 9/1996 Sands ..... D12/180  
5,785,156 A \* 7/1998 Warwick et al. .... 188/73.44  
5,957,245 A \* 9/1999 Anger et al. .... 188/71.1

6,478,121 B2 \* 11/2002 Reeves ..... 188/73.31  
6,708,802 B2 \* 3/2004 Stahl et al. .... 188/71.1  
D512,352 S \* 12/2005 Veneziano et al. .... D12/180  
D522,420 S \* 6/2006 Crippa et al. .... D12/180  
D522,421 S \* 6/2006 Crippa et al. .... D12/180  
D527,321 S \* 8/2006 Gherardi et al. .... D12/180  
D555,555 S \* 11/2007 Ikuzawa et al. .... D12/180  
D556,103 S \* 11/2007 Morimoto ..... D12/180  
D588,513 S \* 3/2009 Crippa et al. .... D12/180

\* cited by examiner

*Primary Examiner*—Robert M Spear

*Assistant Examiner*—Cynthia Underwood

(74) *Attorney, Agent, or Firm*—Shoemaker and Mattare

(57) **CLAIM**

The ornamental design for a caliper for disc brakes, as shown and described.

**DESCRIPTION**

FIG. 1 is a perspective view of a caliper for disc brakes, showing our new design from the front, right and top;

FIG. 2 is a top plan view thereof;

FIG. 3 is a bottom plan view thereof;

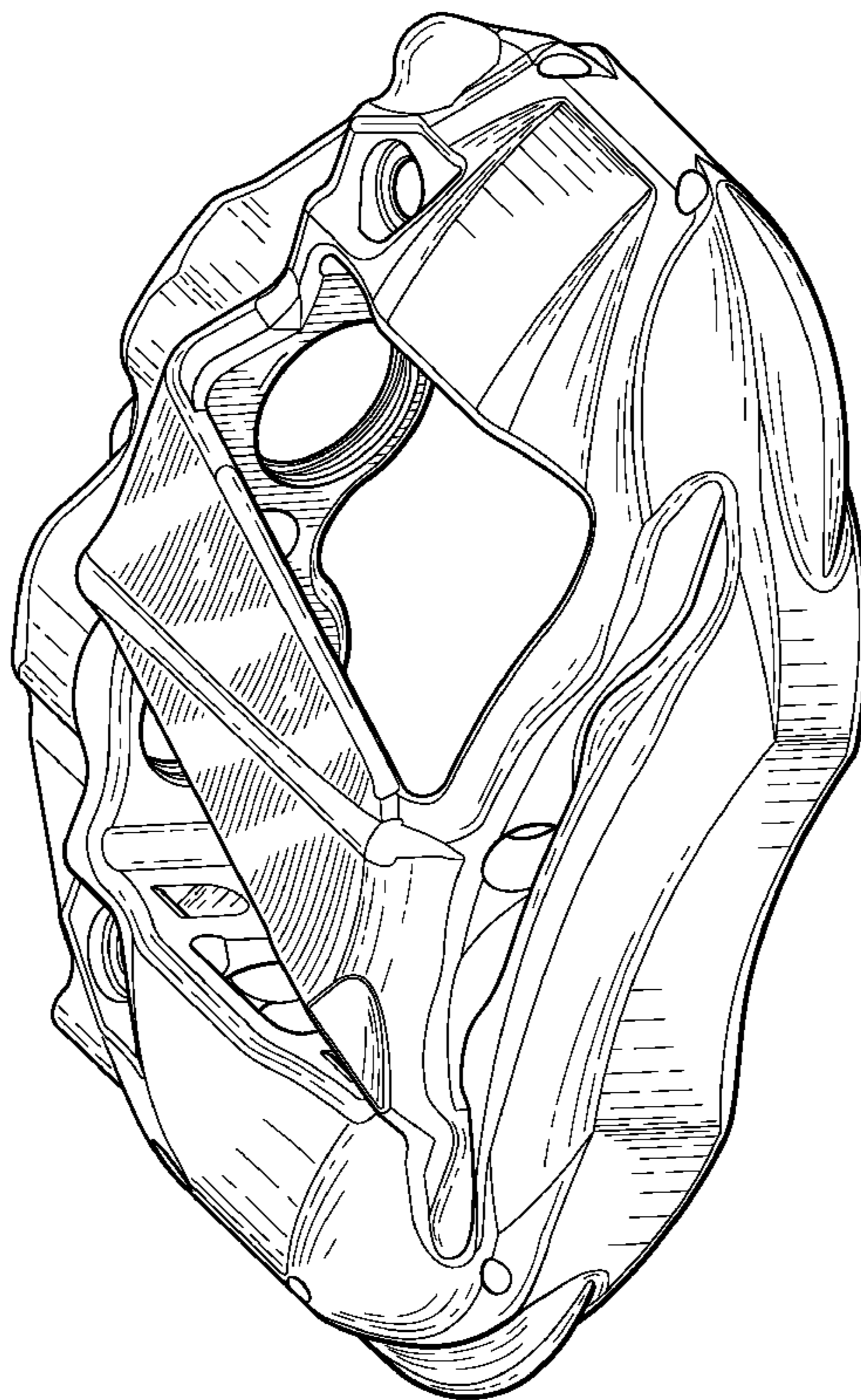
FIG. 4 is a right side elevational view thereof;

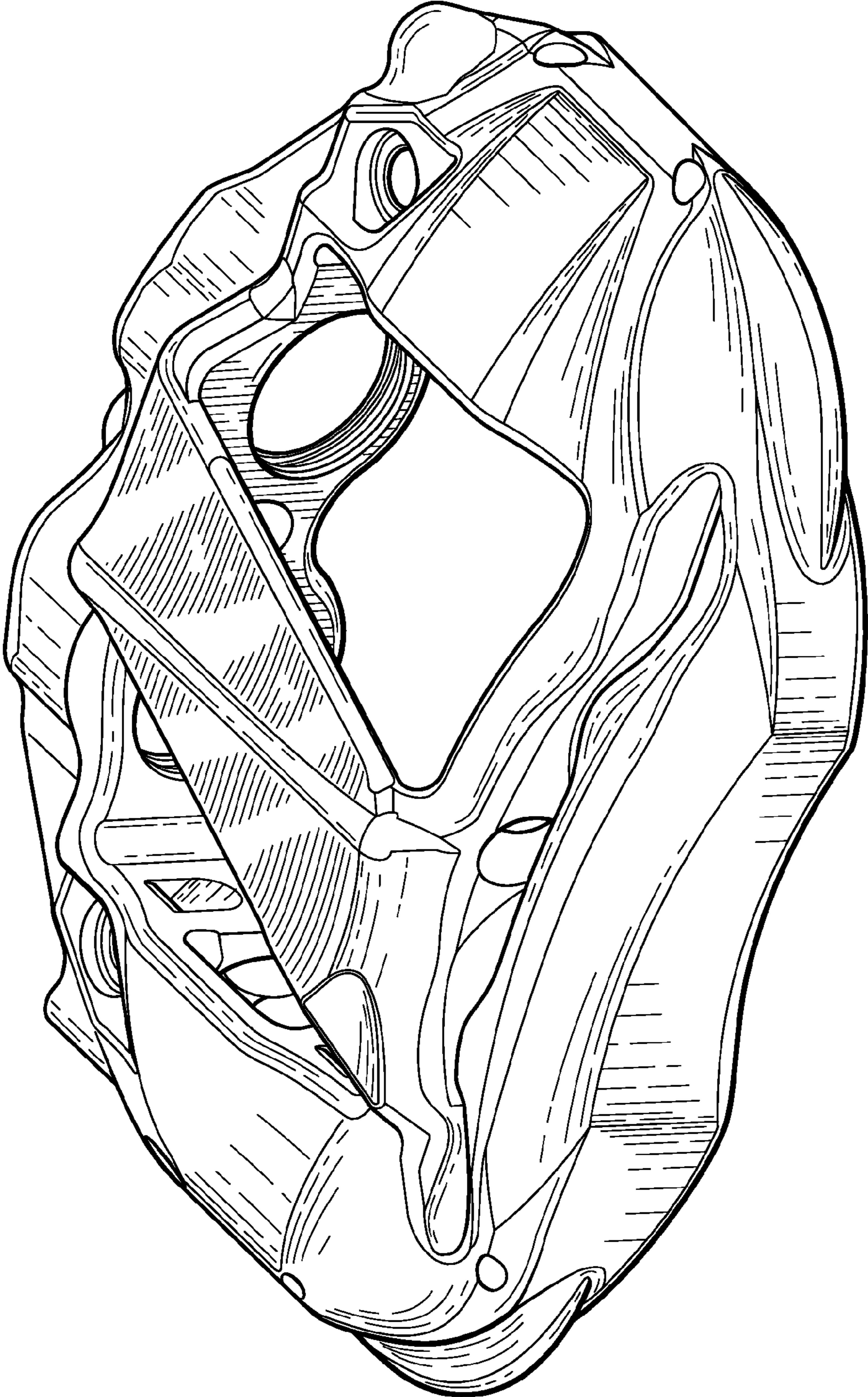
FIG. 5 is a left side elevational view thereof;

FIG. 6 is a front elevational view thereof; and,

FIG. 7 is a rear elevational view thereof.

**1 Claim, 6 Drawing Sheets**





*FIG. 1*

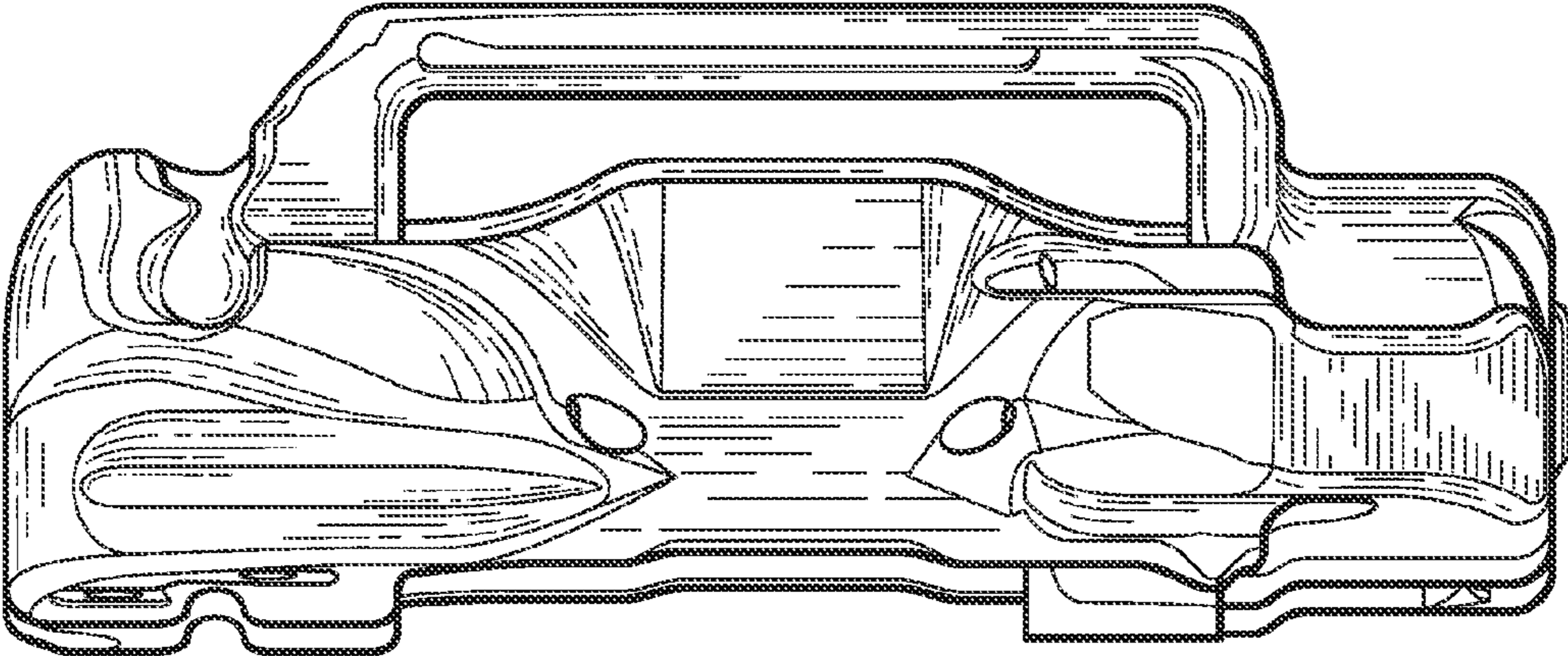


FIG. 2

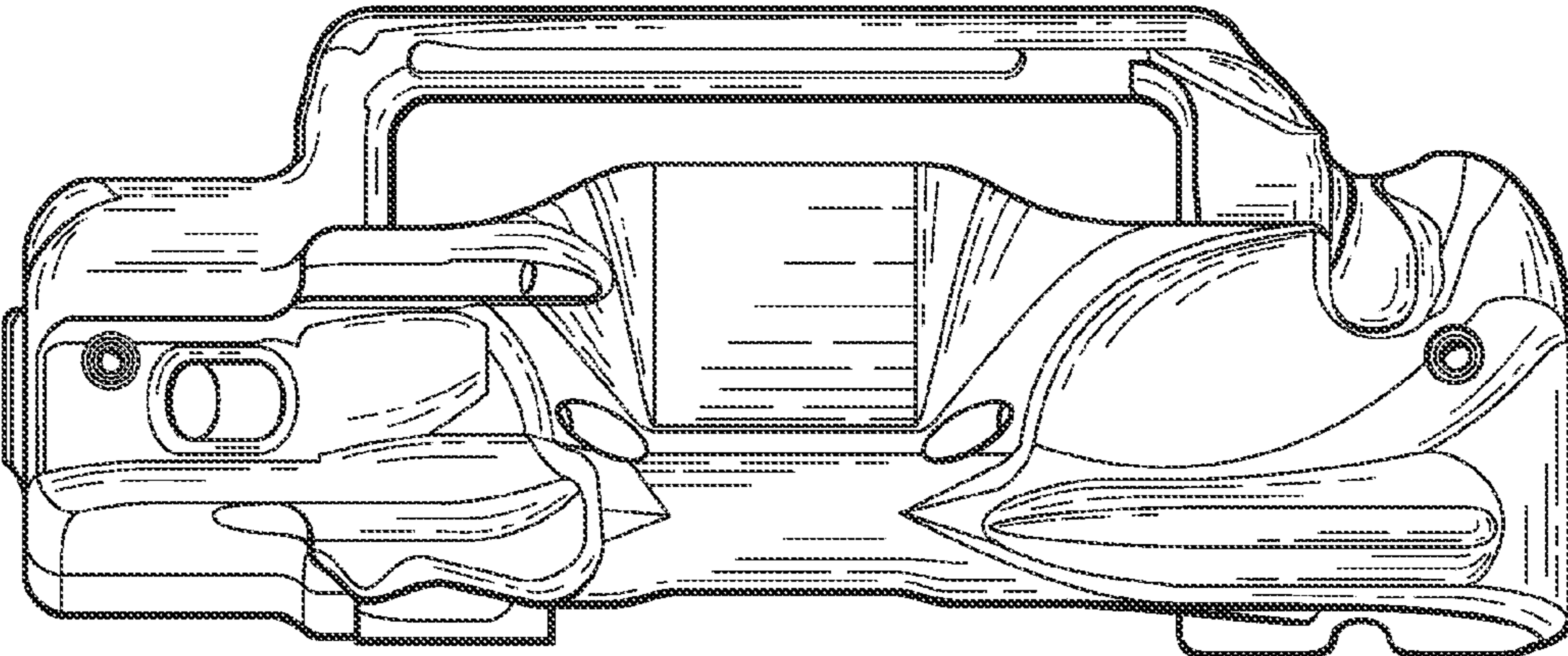


FIG. 3

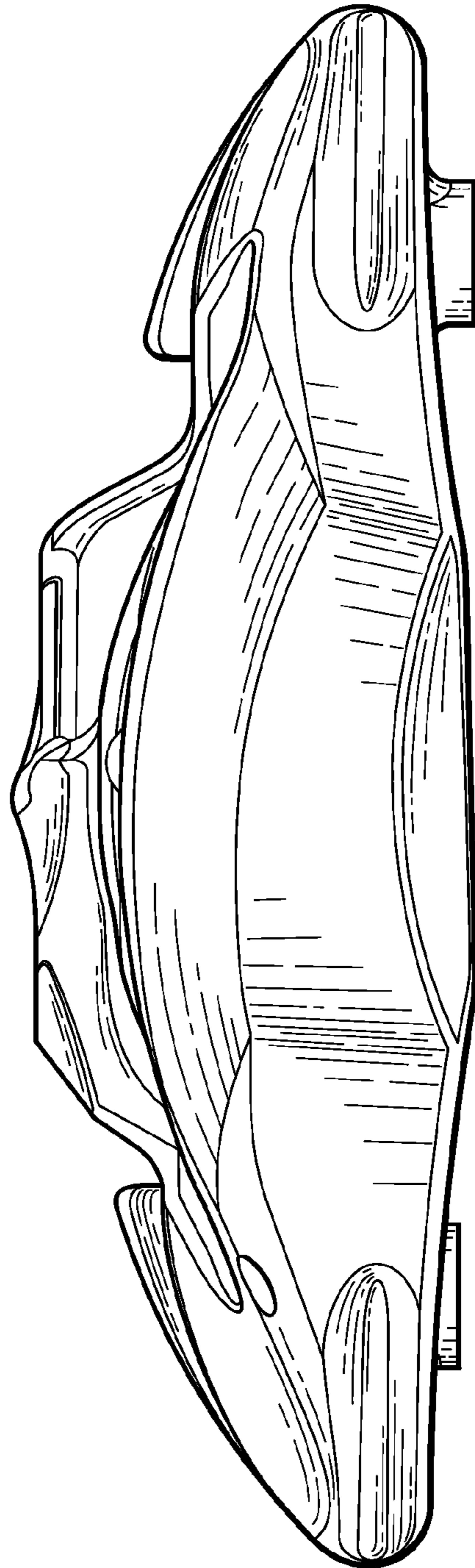
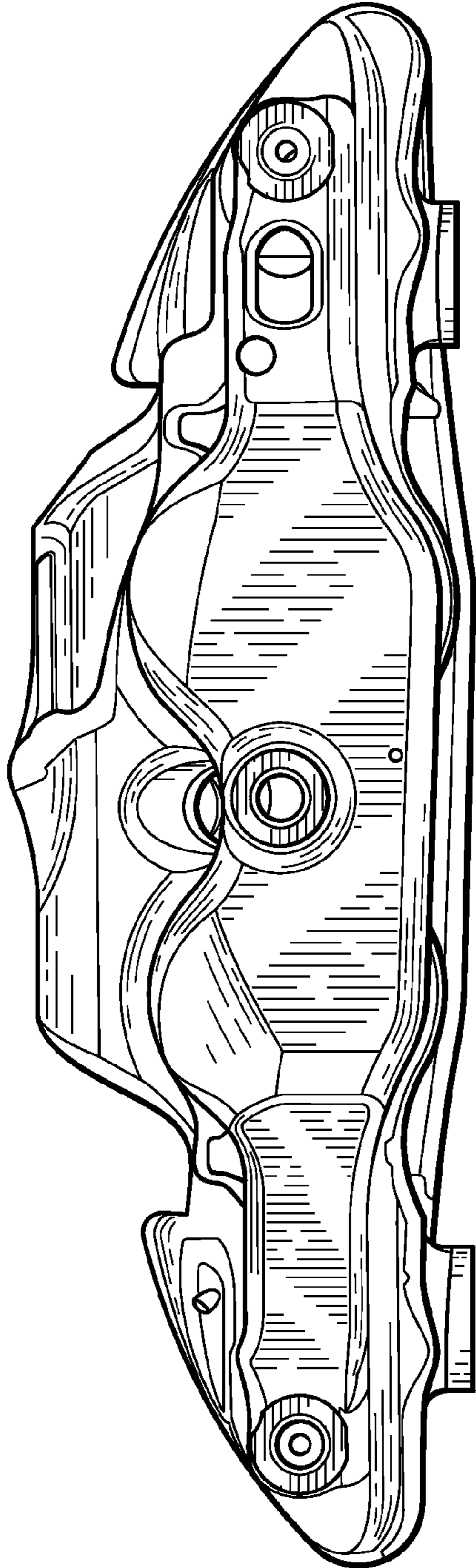


FIG. 4



*FIG. 5*

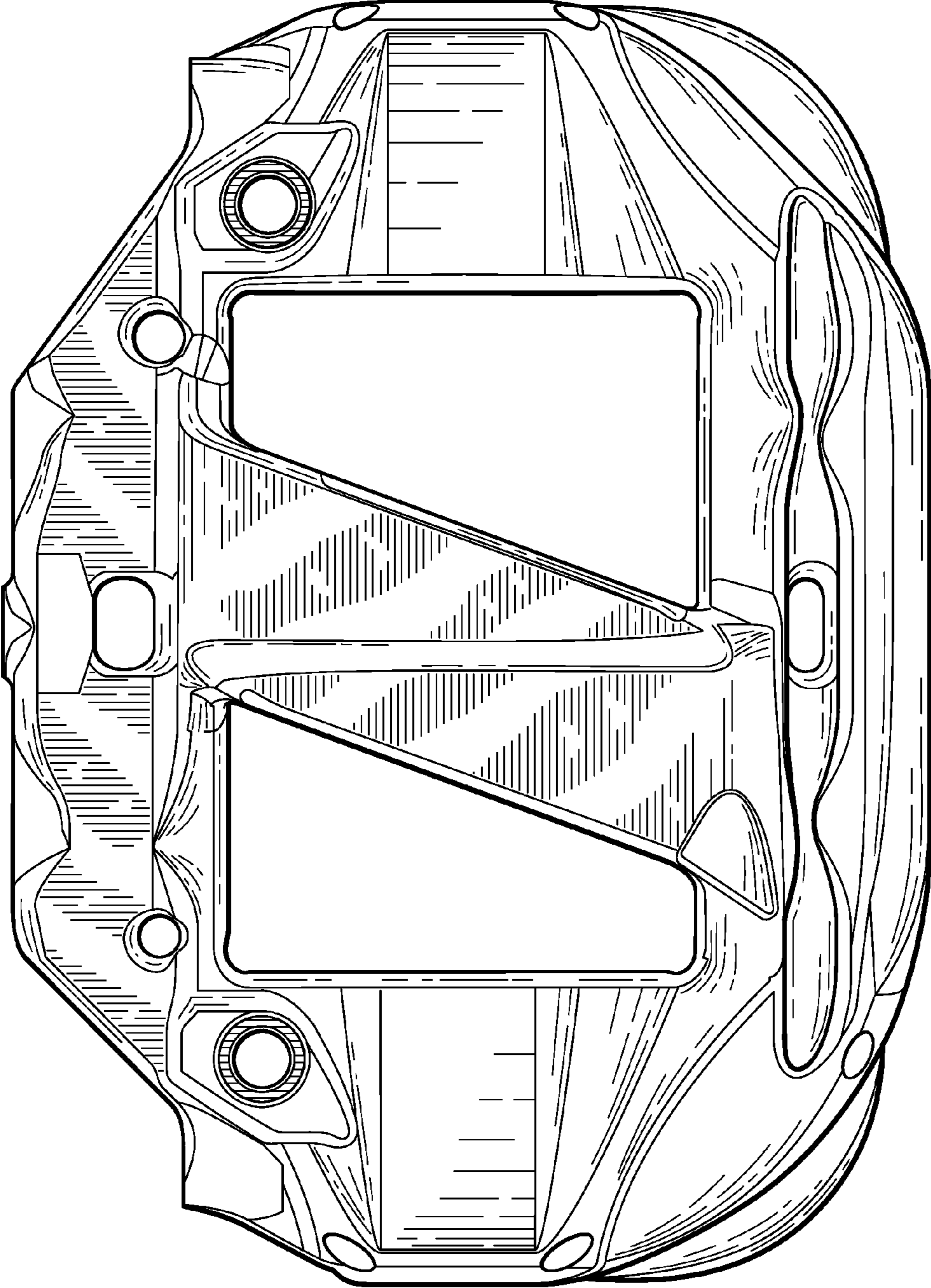


FIG. 6

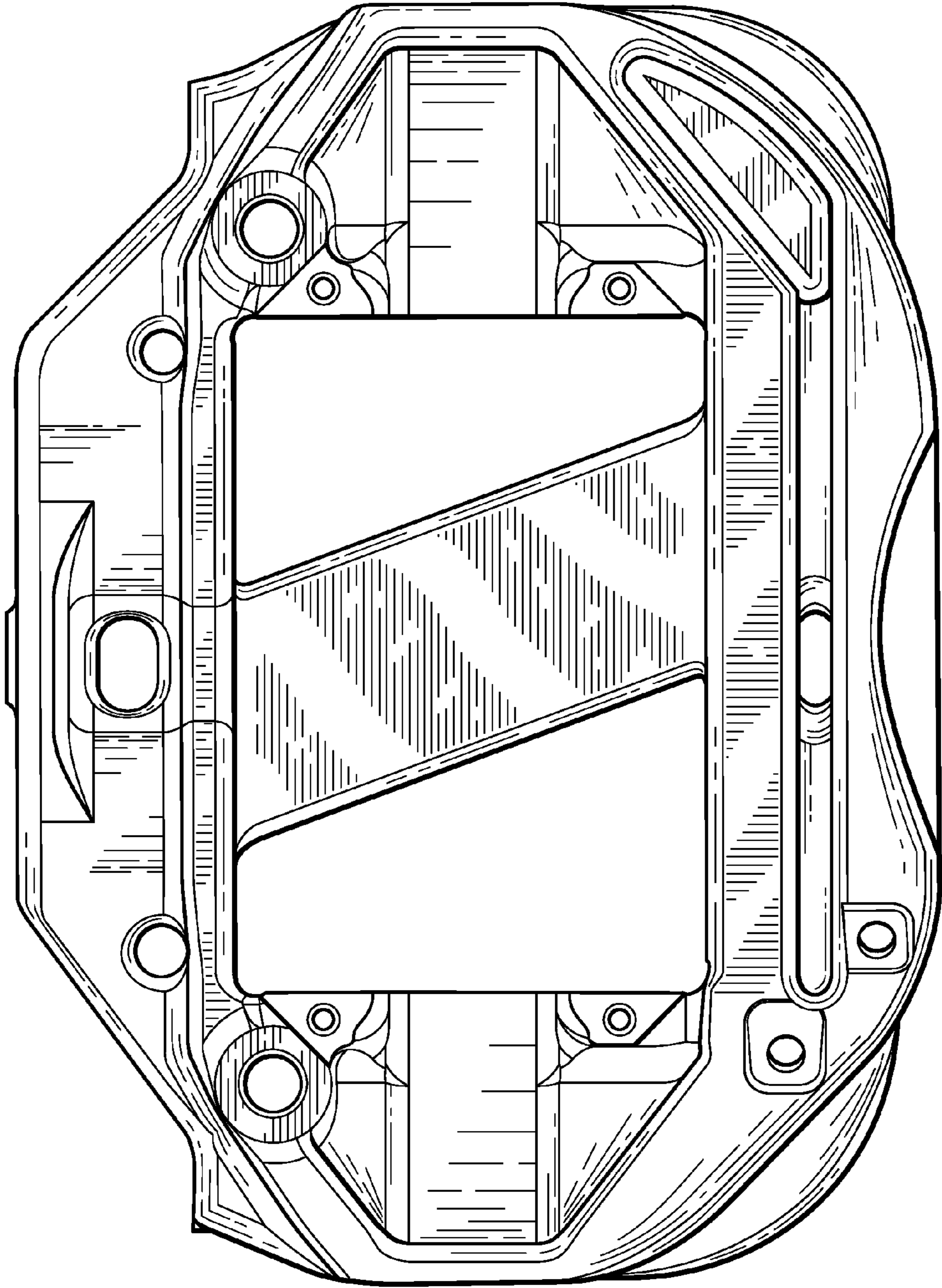


FIG. 7