



US00D619062S

(12) **United States Design Patent**
Improta

(10) **Patent No.:** **US D619,062 S**
(45) **Date of Patent:** **** Jul. 6, 2010**

(54) **VEHICLE HOOD**

(76) Inventor: **Joseph V. Improta**, 40W383 Hughes Rd., Elburn, IL (US) 60119

(**) Term: **14 Years**

(21) Appl. No.: **29/314,785**

(22) Filed: **Apr. 29, 2009**

(51) **LOC (9) Cl.** **12-16**

(52) **U.S. Cl.** **D12/173**

(58) **Field of Classification Search** D12/173,
D12/196, 86, 90-92; 180/69.21, 69.2, 69.22;
296/24.4

See application file for complete search history.

(56) **References Cited**

U.S. PATENT DOCUMENTS

D353,124 S	*	12/1994	Benningfield	D12/173
D385,242 S	*	10/1997	Grabo et al.	D12/173
D386,457 S	*	11/1997	Wittine	D12/173
D506,713 S	*	6/2005	Chiang	D12/173
D508,665 S	*	8/2005	Chan	D12/173
D575,206 S	*	8/2008	Shelby	D12/173
D575,207 S	*	8/2008	Shelby	D12/173

* cited by examiner

Primary Examiner—Melody N Brown
(74) *Attorney, Agent, or Firm*—Mathew R. P. Perrone, Jr.;
Brie A. Crawford

(57) **CLAIM**

The ornamental design for the vehicle hood, as shown and described.

DESCRIPTION

FIG. 1 is a top perspective view of the vehicle hood of my invention;

FIG. 2 is a bottom perspective view of the vehicle hood of my invention based on FIG. 1;

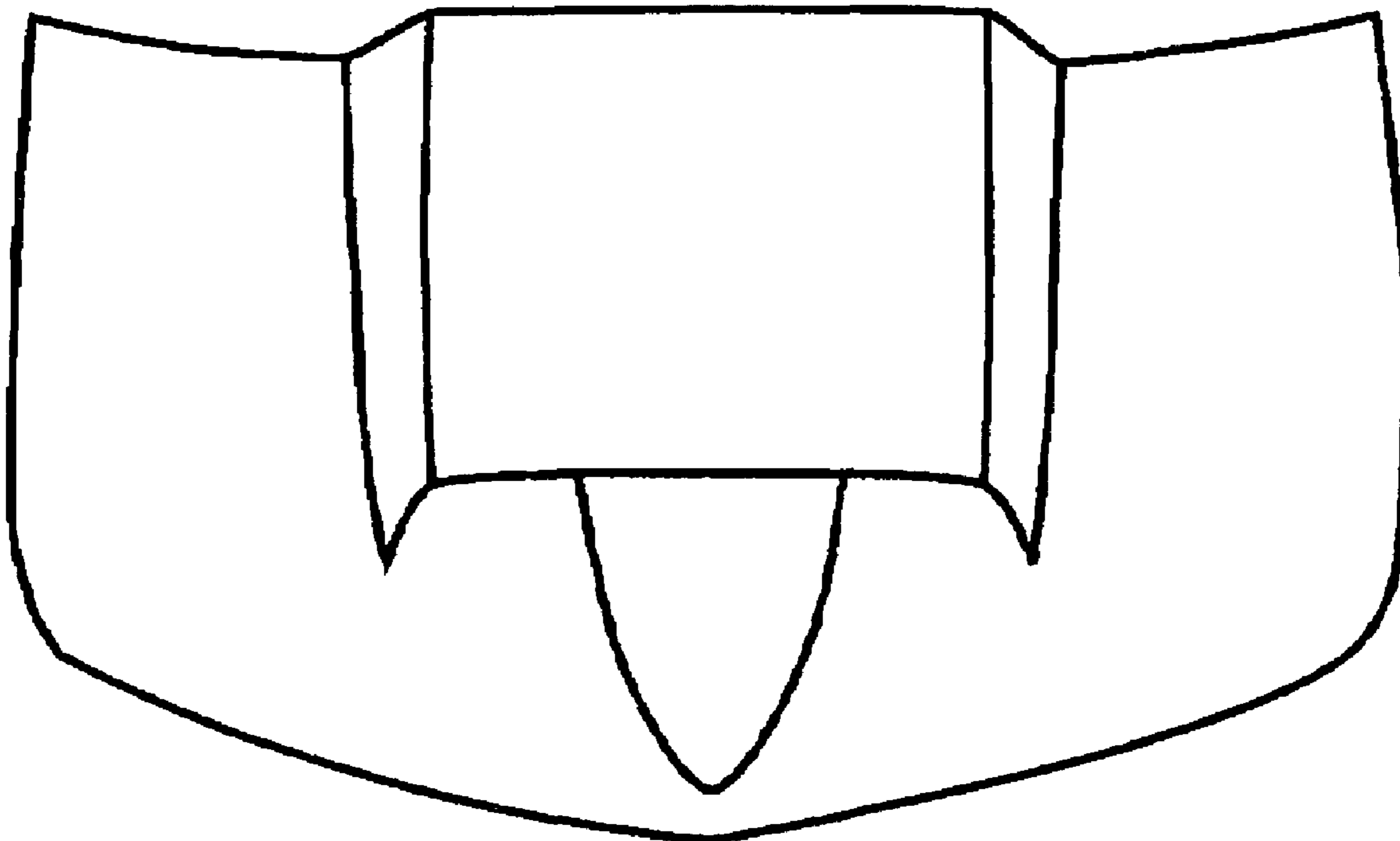
FIG. 3 is a front elevational view of the vehicle hood of my invention, based on FIG. 1;

FIG. 4 is a rear elevational view of the vehicle hood of my invention and a reverse of FIG. 3;

FIG. 5 is a front, right perspective view of the vehicle hood of my invention; and,

FIG. 6 is a front, left perspective view of the vehicle hood of my invention.

1 Claim, 2 Drawing Sheets



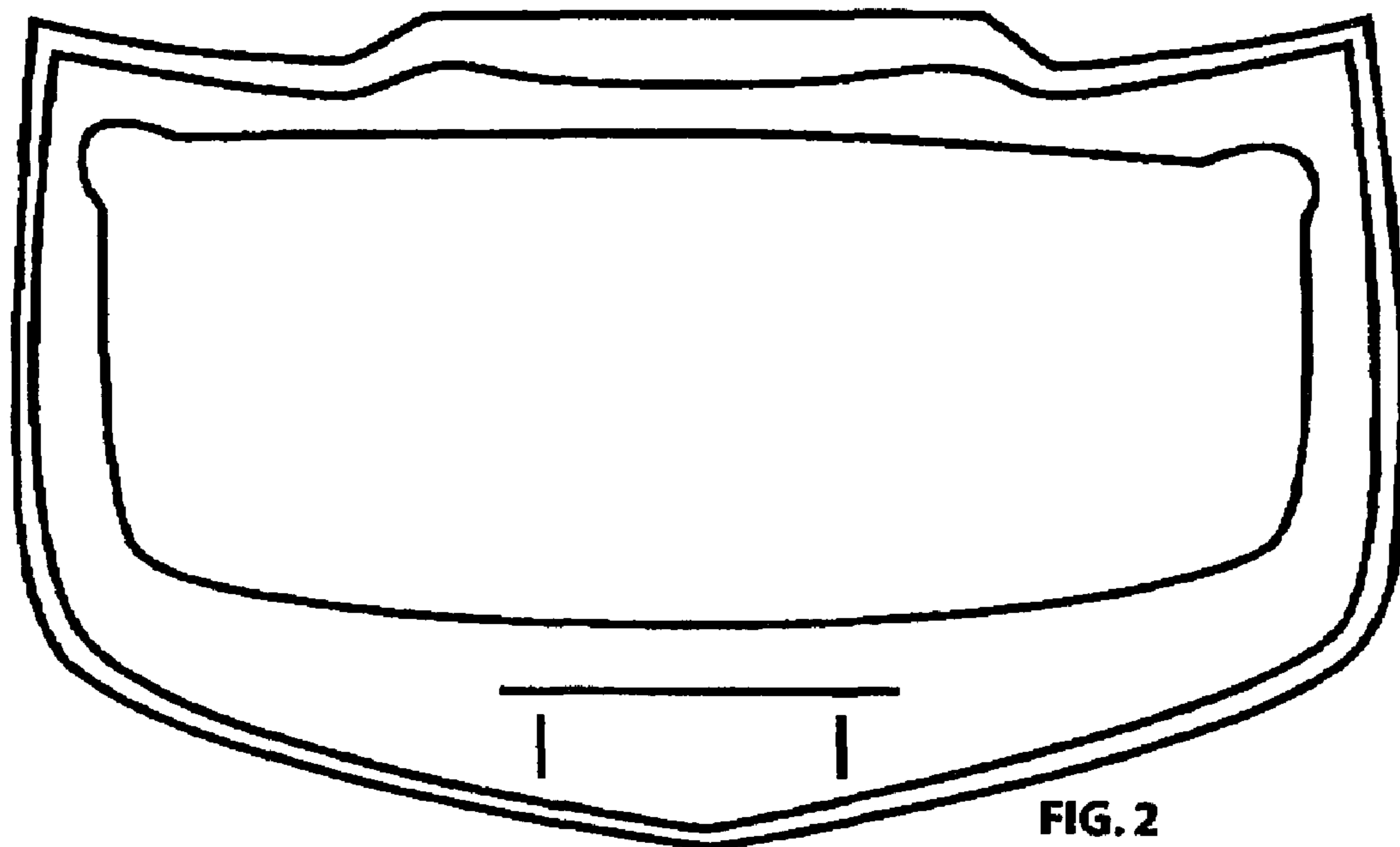
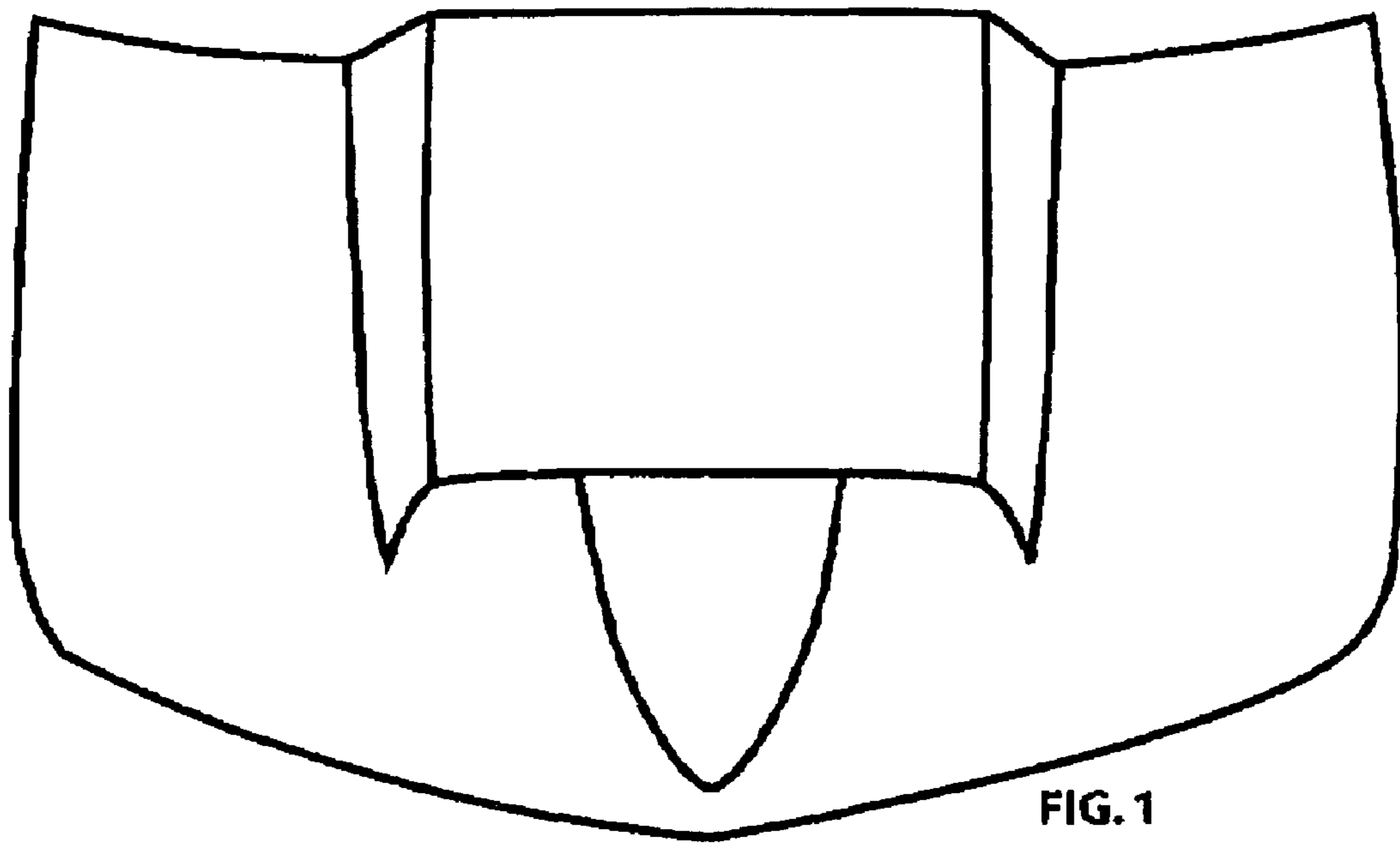




FIG. 3



FIG. 4



FIG. 5

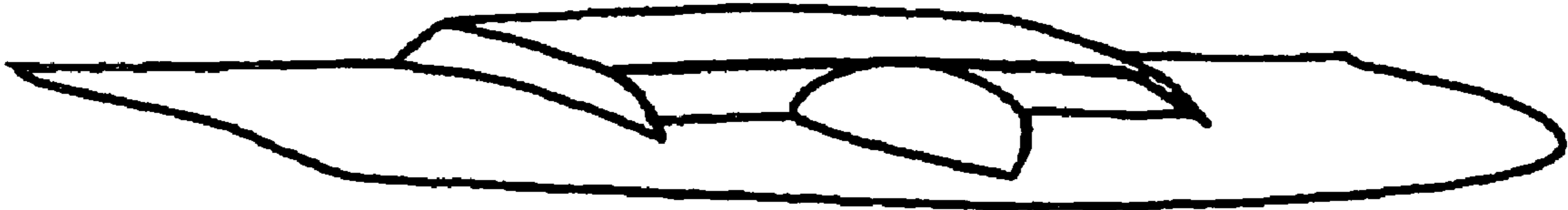


FIG. 6