



US00D619052S

(12) **United States Design Patent**
Mooren et al.

(10) **Patent No.:** **US D619,052 S**
(45) **Date of Patent:** **** Jul. 6, 2010**

(54) **PAIR OF MOTORCYCLE FOOTRESTS**

(76) Inventors: **Harry J. Mooren**, 7701 Hwy. DD, Pickerel, WI (US) 54465; **Karen M. Mooren**, 7701 Hwy. DD, Pickerel, WI (US) 54465

(**) Term: **14 Years**

(21) Appl. No.: **29/315,899**

(22) Filed: **Aug. 3, 2009**

(51) **LOC (9) Cl.** **12-11**

(52) **U.S. Cl.** **D12/114**

(58) **Field of Classification Search** D12/114,
D12/110, 125, 203; 296/75; 280/291, 163;
74/560, 562.5, 564, 594.1–594.7; 180/219,
180/90.6

See application file for complete search history.

(56) **References Cited**

U.S. PATENT DOCUMENTS

| | | | | | |
|--------------|-----|---------|-----------------|-------|-----------|
| 4,401,315 | A * | 8/1983 | Pavincic | | 280/259 |
| 4,451,057 | A * | 5/1984 | Lawson | | 280/291 |
| D283,413 | S | 4/1986 | Preisler et al. | | D12/114 |
| D297,230 | S * | 8/1988 | Huff | | D12/203 |
| D483,699 | S * | 12/2003 | Anthony | | D12/114 |
| 2005/0206125 | A1 | 9/2005 | Linby | | 280/304.3 |
| 2006/0181054 | A1 | 8/2006 | Colano | | 280/291 |

OTHER PUBLICATIONS

2008 Catalog from JP Cycles, pp. 885-890 entitled "Floorboards", "Floorboard Accessories" and "Floorboard Accessories & Heel and Boot Guards."

* cited by examiner

Primary Examiner—Philip S Hyder
Assistant Examiner—Linda G. Brooks
(74) *Attorney, Agent, or Firm*—Jeffrey S. Sokol

(57) **CLAIM**

The ornamental design for a pair of motorcycle footrests, as shown and described.

DESCRIPTION

FIG. 1 is a perspective view of the right footrest of the present pair of motorcycle footrests;

FIG. 2 is a right side elevation view of FIG. 1;

FIG. 3 is a left side elevation view of FIG. 1;

FIG. 4 is a top plan view of FIG. 1;

FIG. 5 is a bottom plan view of FIG. 1;

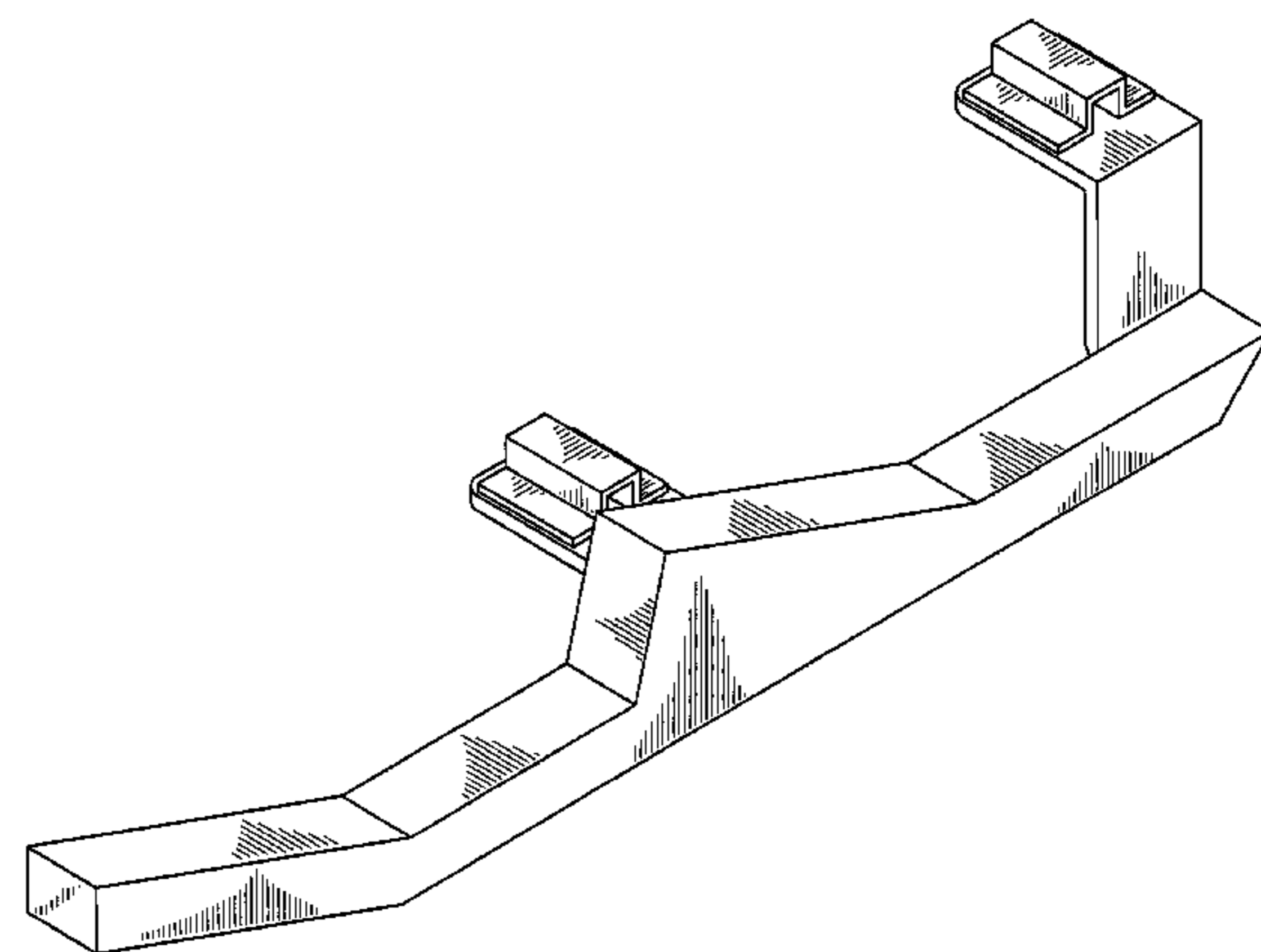
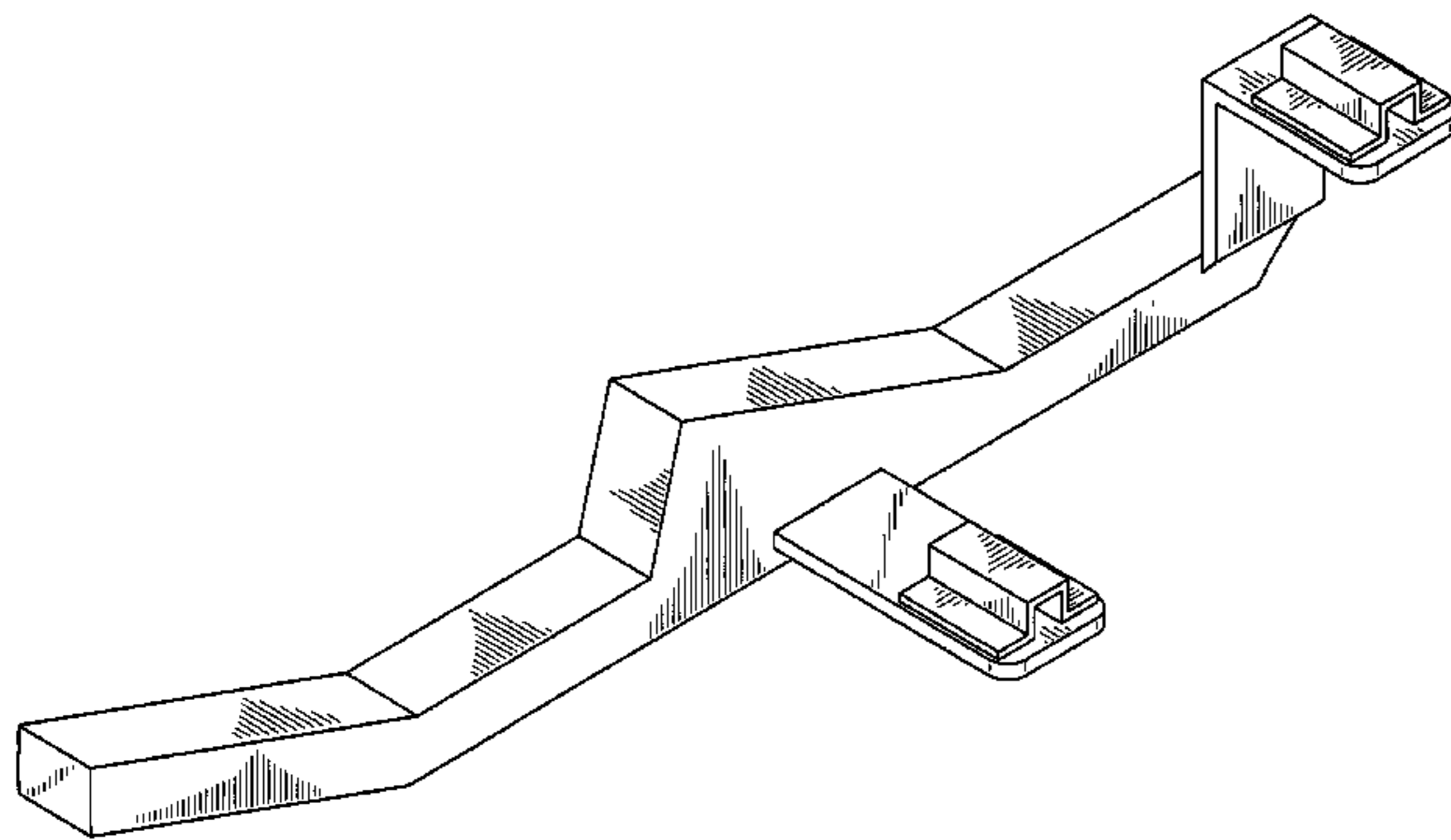
FIG. 6 is a front elevation view of FIG. 1;

FIG. 7 is a rear elevation view of FIG. 1; and,

FIG. 8 is a perspective view of the left footrest of the pair of motorcycle footrests. The left footrest of the pair of motorcycle footrests is a mirror image of the right footrest of the pair of motorcycle footrests shown in FIGS. 1-7.

The left footrest shown in FIG. 8 is a mirror image of the right footrest shown in FIG. 1.

1 Claim, 5 Drawing Sheets



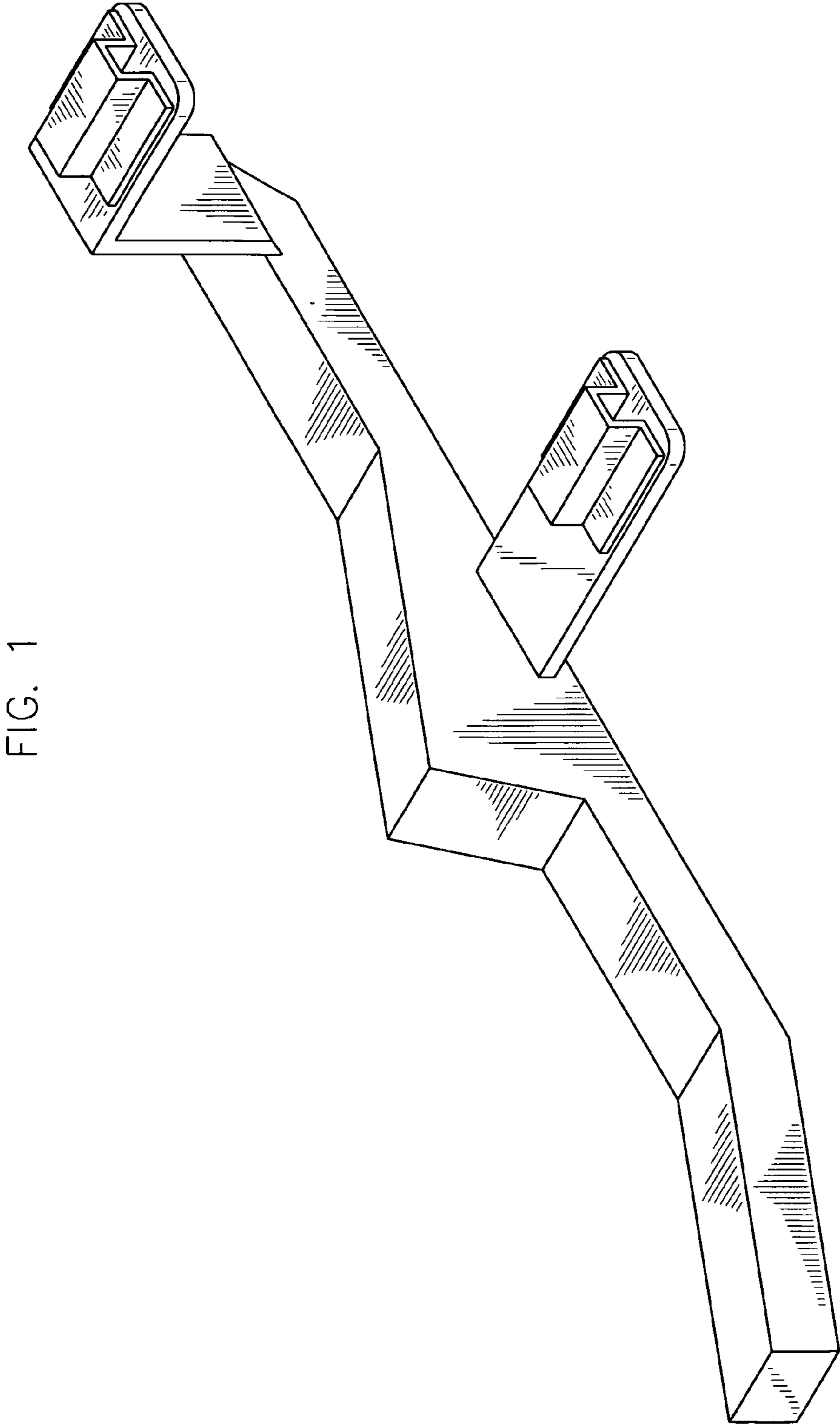


FIG. 1

FIG. 2

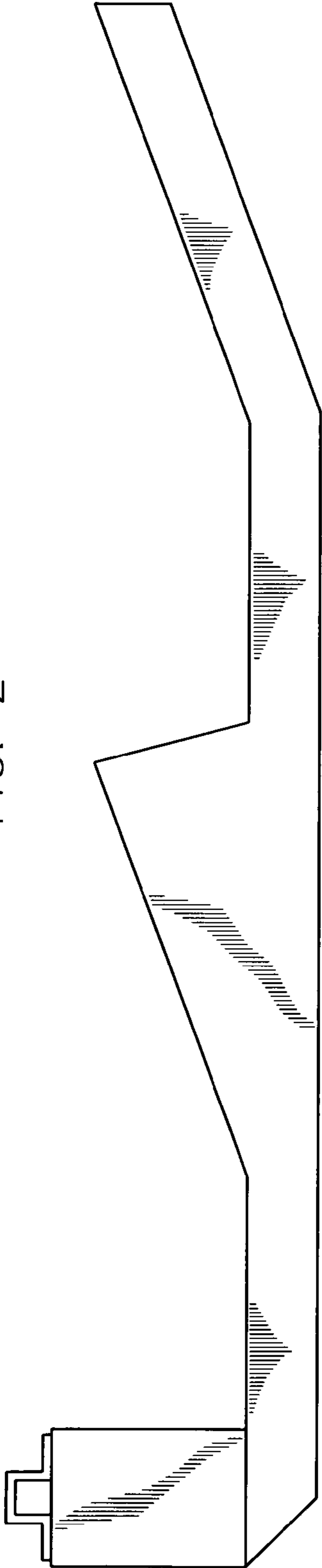


FIG. 3

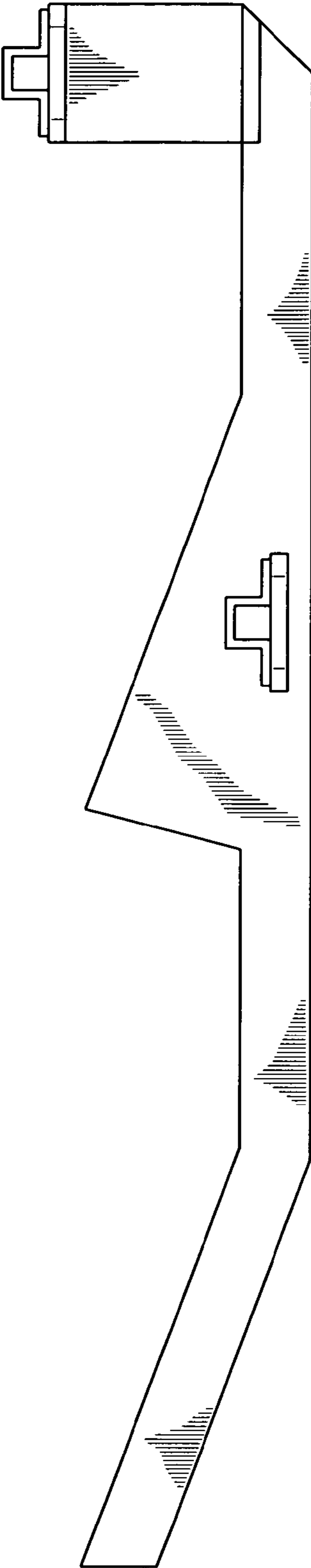


FIG. 4

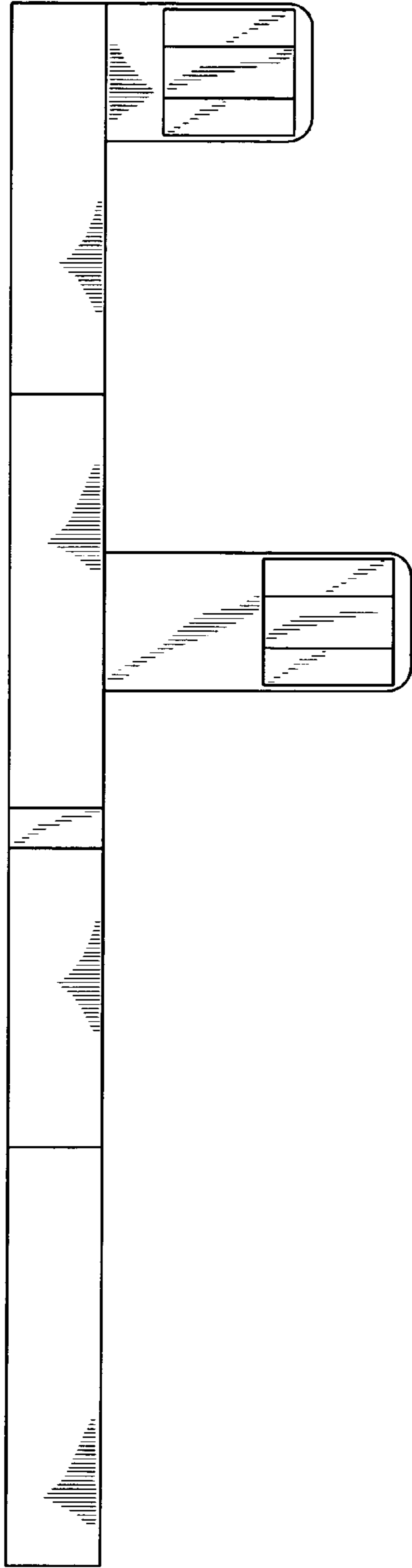
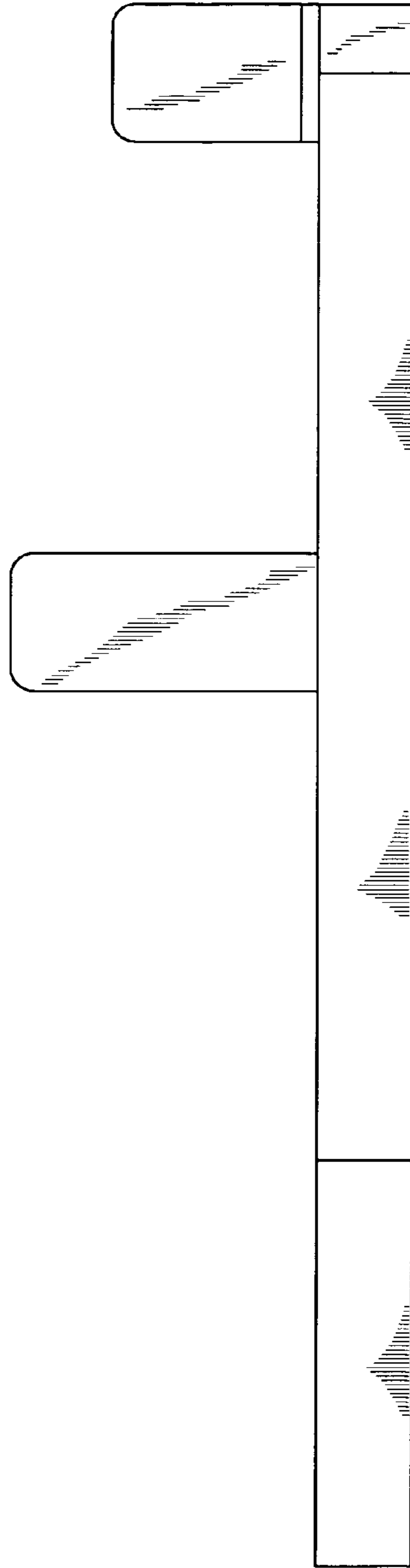


FIG. 5



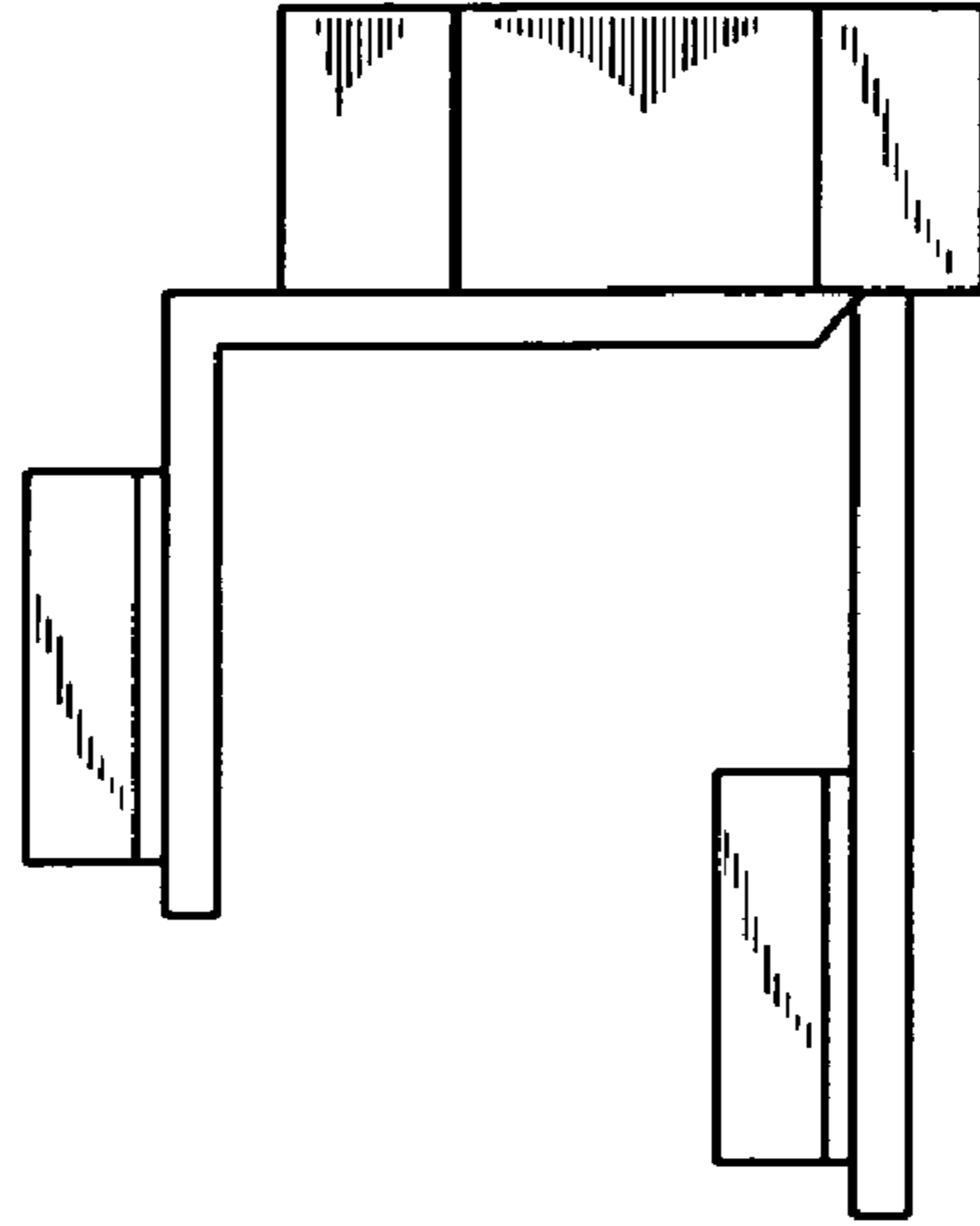


FIG. 6

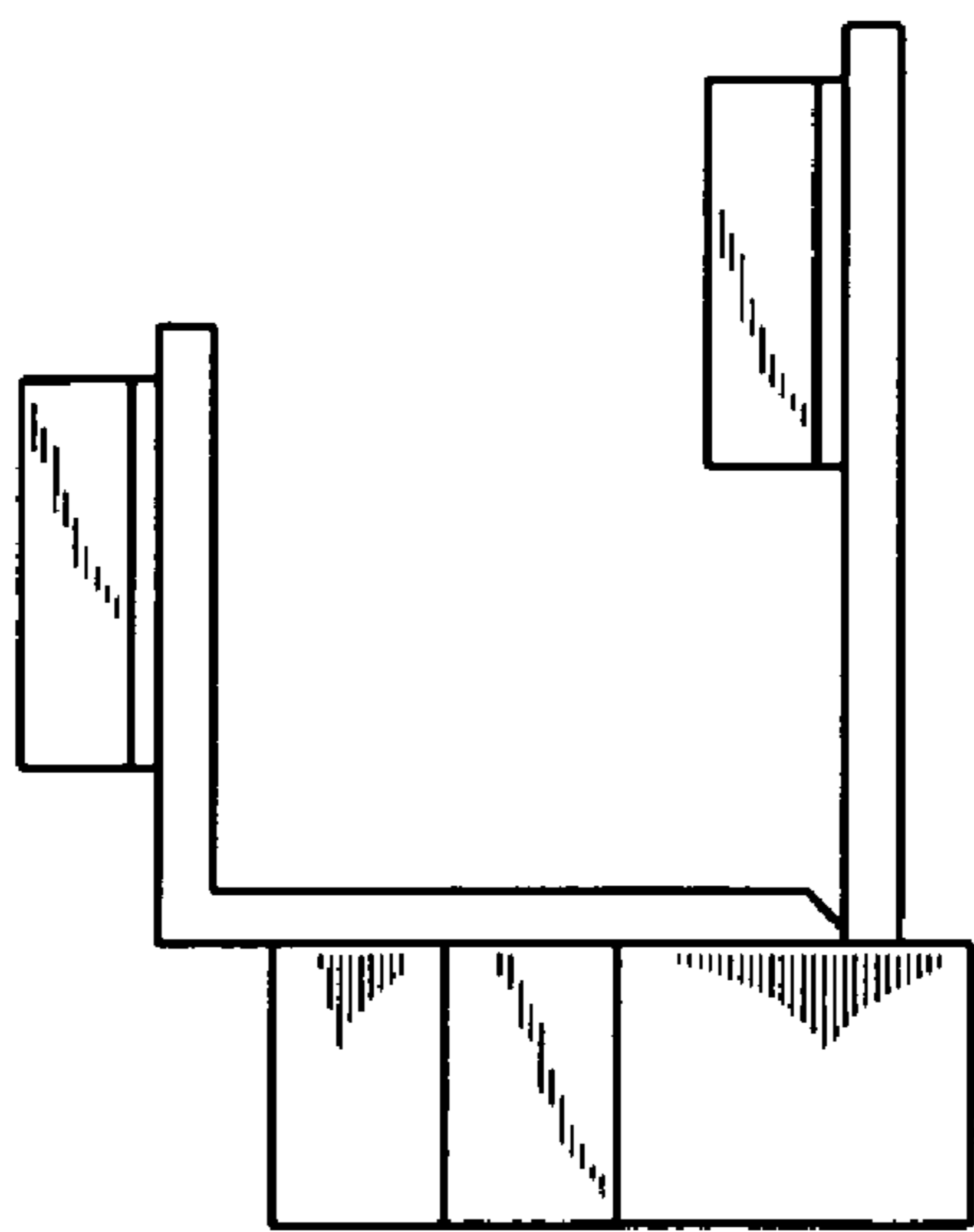


FIG. 7

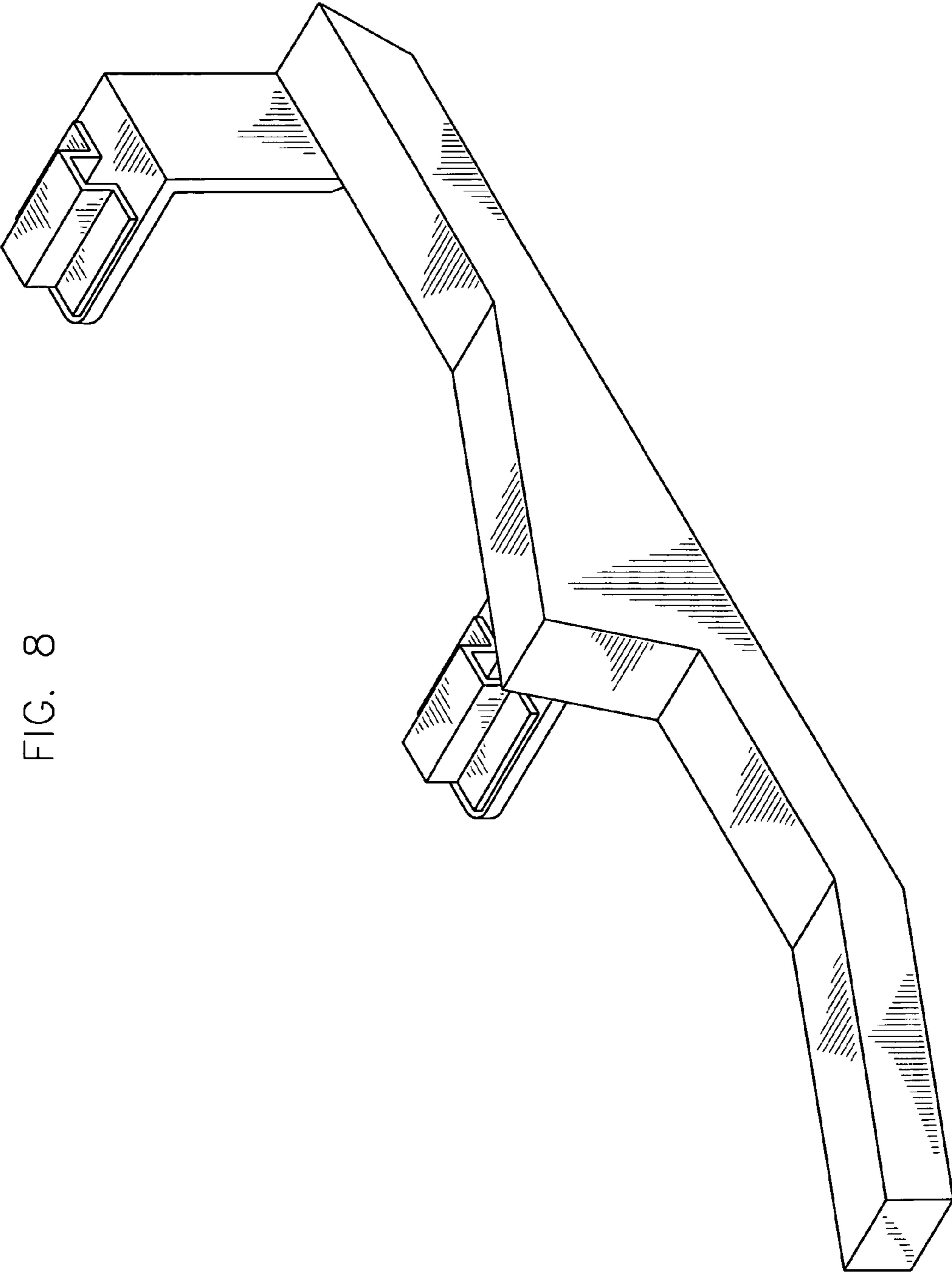


FIG. 8