



US00D619051S

(12) **United States Design Patent**  
**VanLoozen**

(10) **Patent No.:** **US D619,051 S**  
(45) **Date of Patent:** **\*\* Jul. 6, 2010**

(54) **BICYCLE FRAME**

(76) Inventor: **Joseph VanLoozen**, 377 Pyjar Rd.,  
Levering, MI (US) 49755

(\*\*) Term: **14 Years**

(21) Appl. No.: **29/350,544**

(22) Filed: **Nov. 18, 2009**

(51) **LOC (9) Cl.** ..... **12-11**

(52) **U.S. Cl.** ..... **D12/111**

(58) **Field of Classification Search** ..... D12/111,  
D12/117; 280/274, 281.1, 275-280, 288.1-288.4,  
280/259, 260, 265, 267, 283-288

See application file for complete search history.

(56) **References Cited**

**U.S. PATENT DOCUMENTS**

3,113,785 A \* 12/1963 Bohnenkamp ..... 280/7.15  
D238,419 S \* 1/1976 Apodaca ..... D12/111

(Continued)

**OTHER PUBLICATIONS**

Joseph Vanloozen, Photo of tall bike (with declaration) built by  
applicant in 1978 and used publicly more than one year prior to Nov.  
18, 2009, 3 pages, Joseph VanLoozen, U.S.

Metz Bicycle Museum, Unusual Bicycles, webpage, 2006, one page,  
www.metzbicyclemuseum.com, U.S.

(Continued)

*Primary Examiner*—Philip S Hyder  
*Assistant Examiner*—Linda G. Brooks

(74) *Attorney, Agent, or Firm*—Northern Michigan Patent  
Law, PLC

(57) **CLAIM**

I claim the ornamental design for a bicycle frame, as shown  
and described.

**DESCRIPTION**

There is a co-filed and co-pending U.S. utility patent appli-  
cation entitled “Tall Bike Frame”, application Ser. No.  
12/621,089 filed Nov. 18, 2009, whose inventor is common to  
the present design patent application.

FIG. 1 is a left side elevation view of a bicycle frame embody-  
ing the new design.

FIG. 2 is a right side elevation view of the bicycle frame of  
FIG. 1, being a mirror image thereof.

FIG. 3 is a perspective view of the bicycle frame of FIG. 1,  
taken from the front left.

FIG. 4 is a front elevation view of the bicycle frame of FIG. 1.

FIG. 5 is a rear elevation view of the bicycle frame of FIG. 1.

FIG. 6 is a top plan view of the bicycle frame of FIG. 1.

FIG. 7 is a bottom plan view of the bicycle frame of FIG. 1.

FIG. 8 is a left side elevation view of another embodiment of  
a bicycle frame embodying a modified form of the new  
design.

FIG. 9 is a right side elevation view of the bicycle frame of  
FIG. 8, being a mirror image thereof.

FIG. 10 is a perspective view of the bicycle frame of FIG. 8,  
taken from the front left.

FIG. 11 is a front elevation view of the bicycle frame of FIG.  
8.

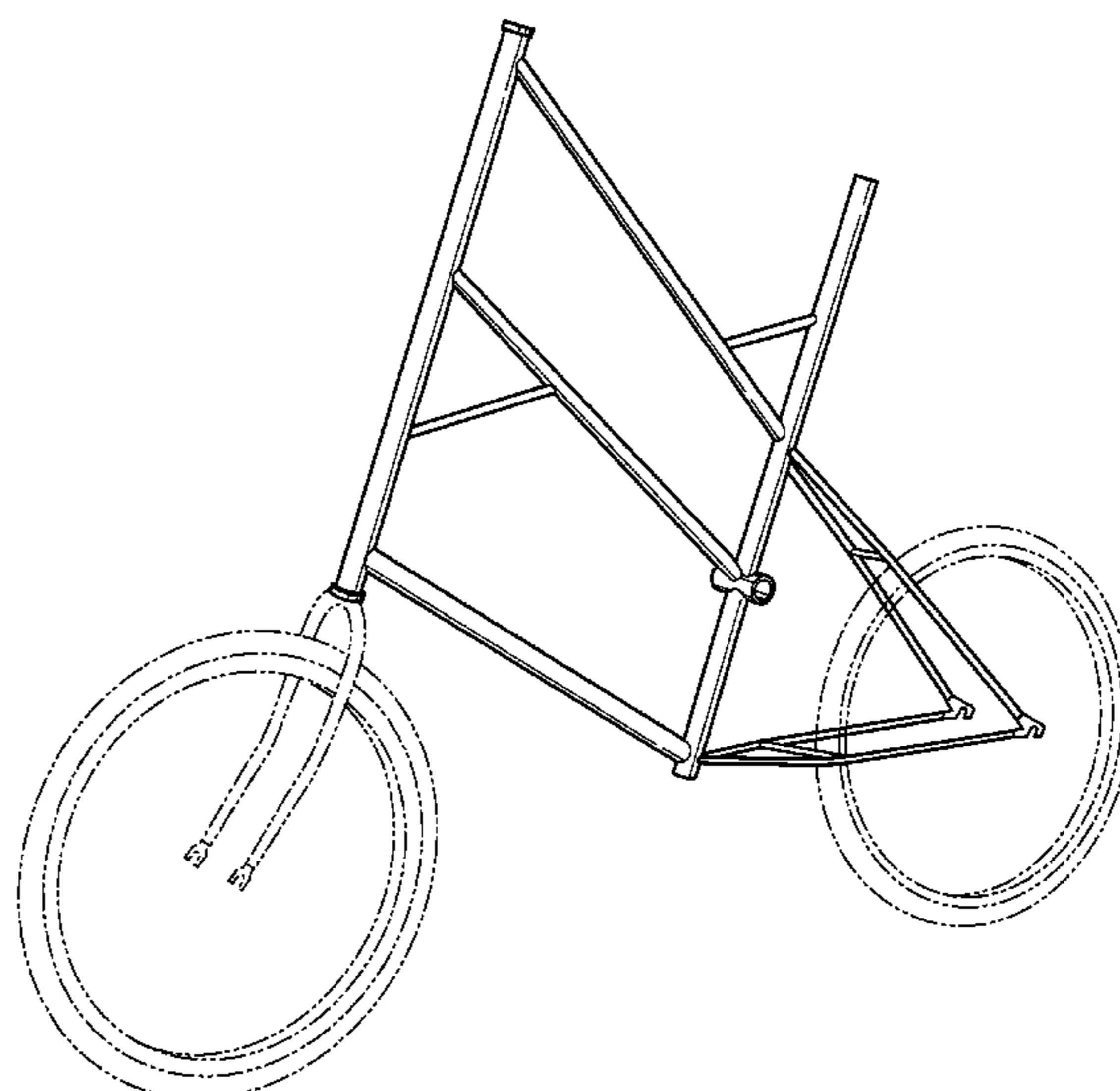
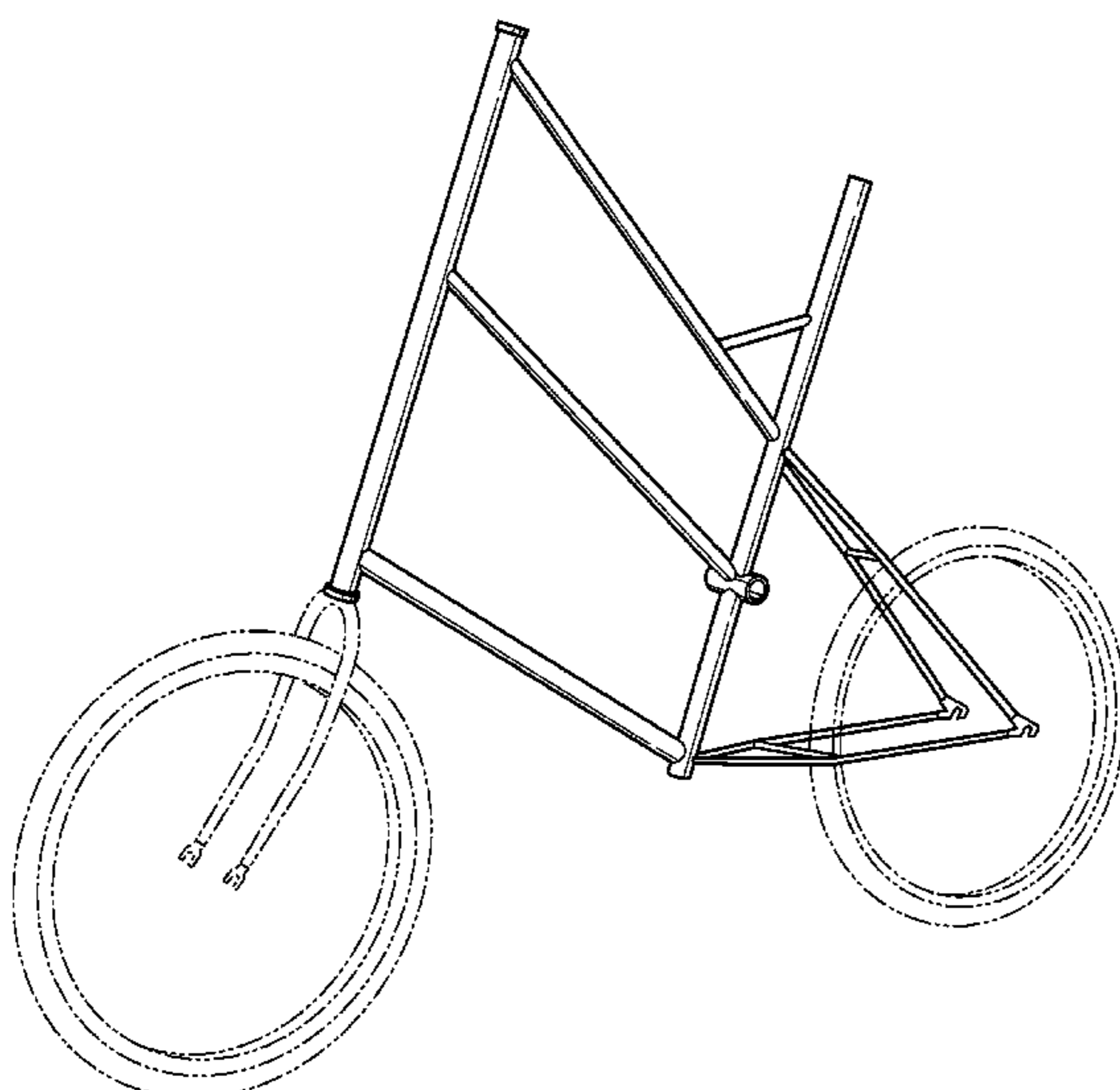
FIG. 12 is a rear elevation view of the bicycle frame of FIG.  
8.

FIG. 13 is a top plan view of the bicycle frame of FIG. 8; and,

FIG. 14 is a bottom plan view of the bicycle frame of FIG. 8.

The structure illustrated in broken lines is environmental in  
nature and forms no part of the claimed design.

**1 Claim, 10 Drawing Sheets**



# US D619,051 S

Page 2

---

## U.S. PATENT DOCUMENTS

D321,156 S \* 10/1991 Browning ..... D12/111  
5,290,053 A \* 3/1994 Barts et al. .... 280/281.1  
6,007,084 A \* 12/1999 Balajadia ..... 280/261  
D432,953 S \* 10/2000 Smith ..... D12/111

## OTHER PUBLICATIONS

Metroactive, The Top 10 Things to Do With a Bike in Santa Cruz, web magazine article, Apr. 5-12 2006, six pages, [www.metroactive.com](http://www.metroactive.com), U.S.

Wikipedia, Tall Bike, web encyclopedia entry, 2006, five pages, [www.wikipedia.org/wiki/Tall\\_bike](http://www.wikipedia.org/wiki/Tall_bike), U.S.

Johnny Payphone, Early Tallbikes, webpage, 2007, sixteen pages, [www.johnnypayphone.net/tallbikes/](http://www.johnnypayphone.net/tallbikes/), U.S.

Jim Langley, What's What on a Bicycle, webpage, 2007, one page, [www.jimlangley.net/wrench/bicyclepar . . .](http://www.jimlangley.net/wrench/bicyclepar...), U.S.

\* cited by examiner

FIG. 1

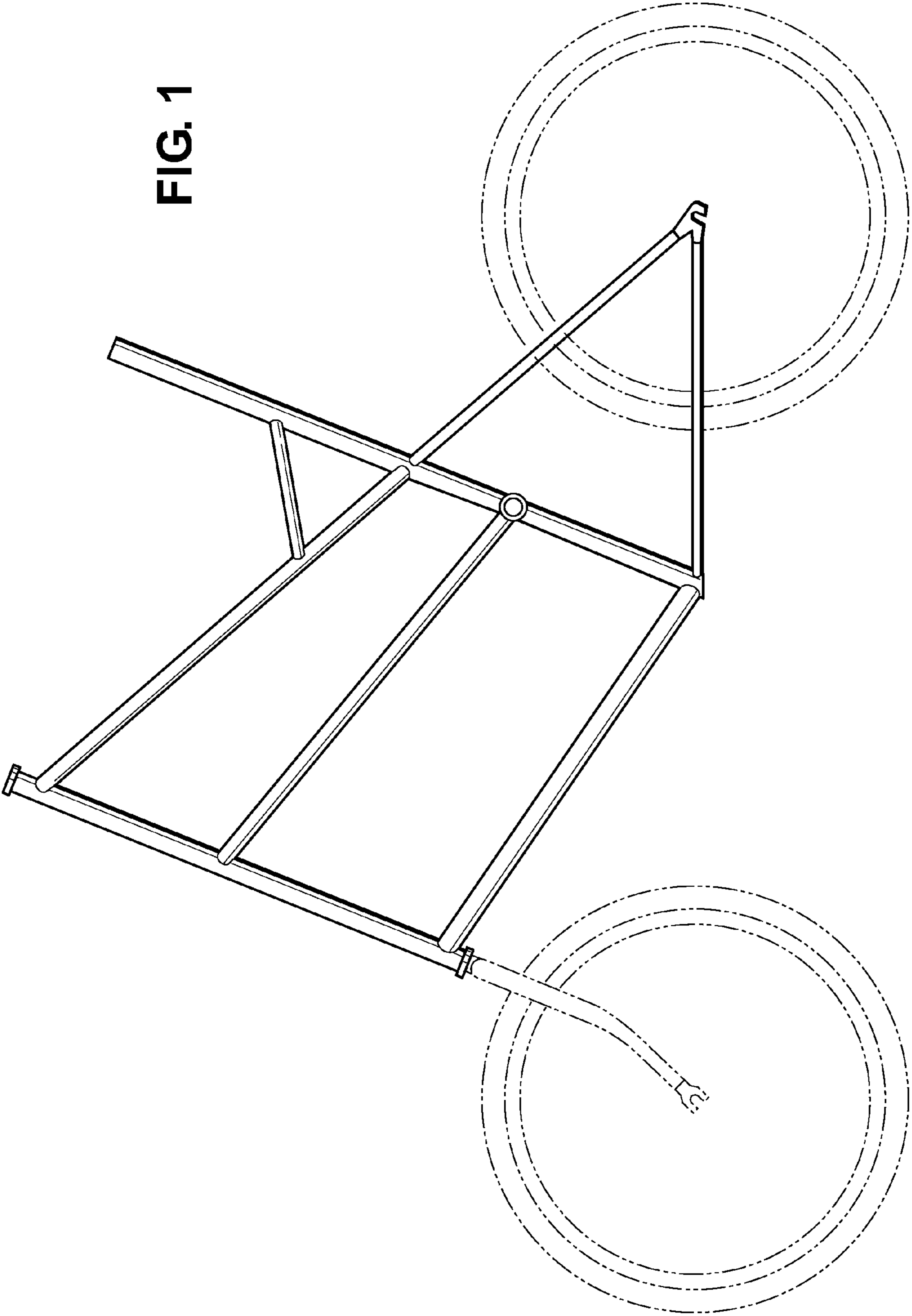
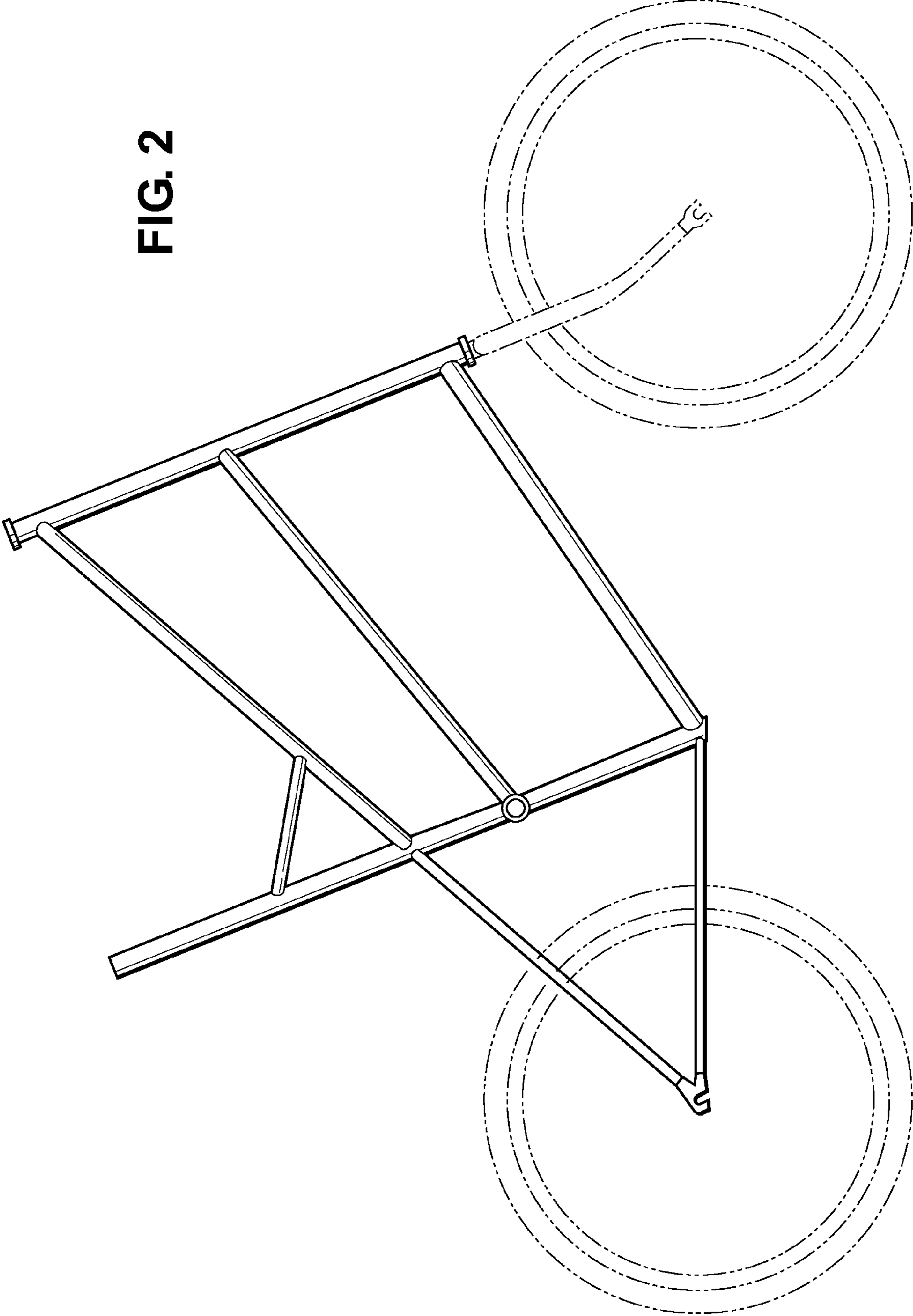


FIG. 2



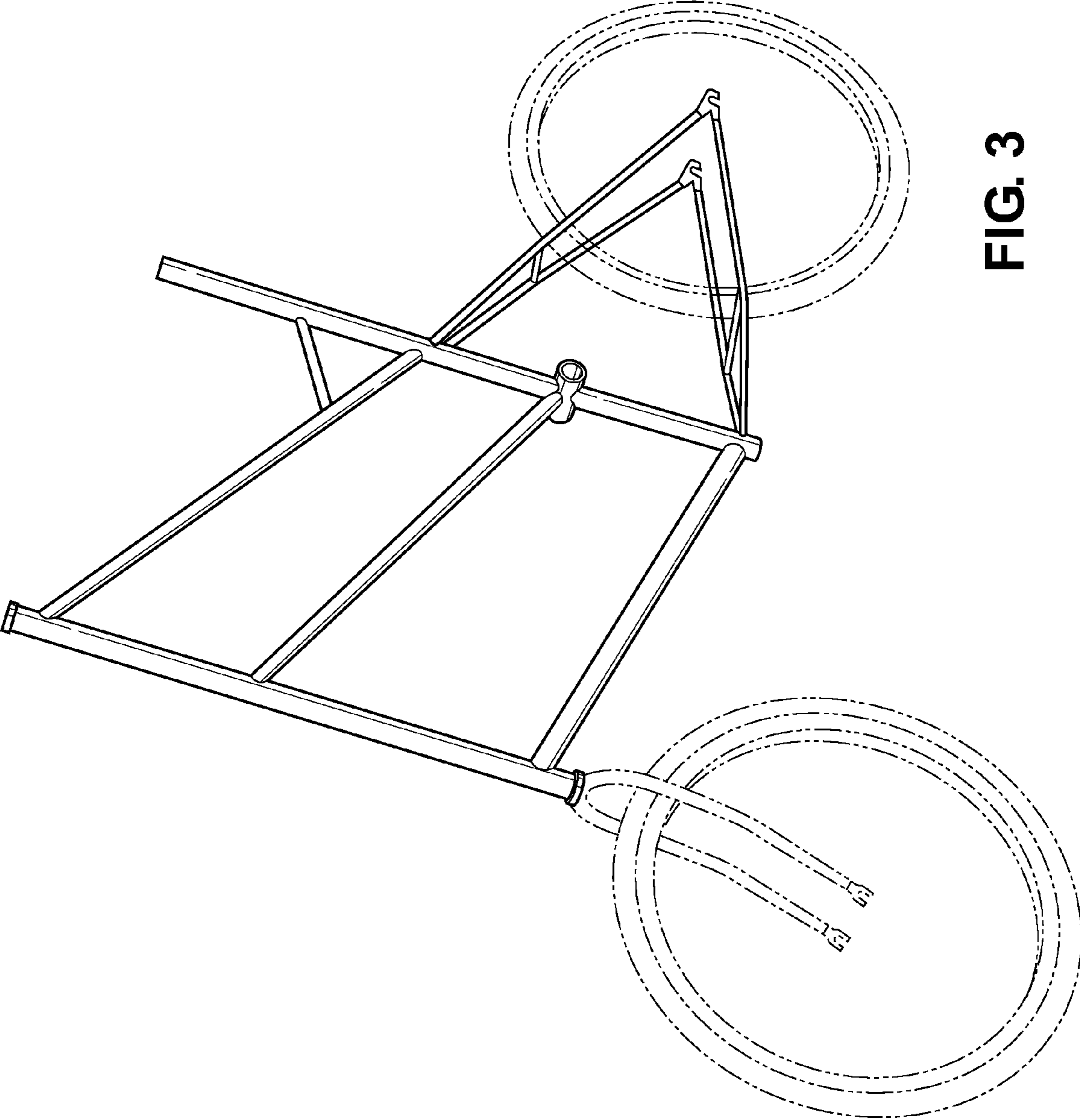


FIG. 3

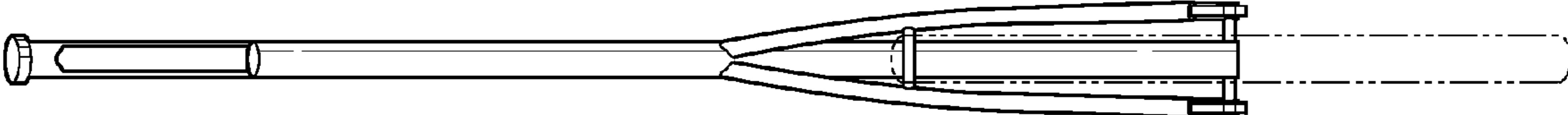


FIG. 5

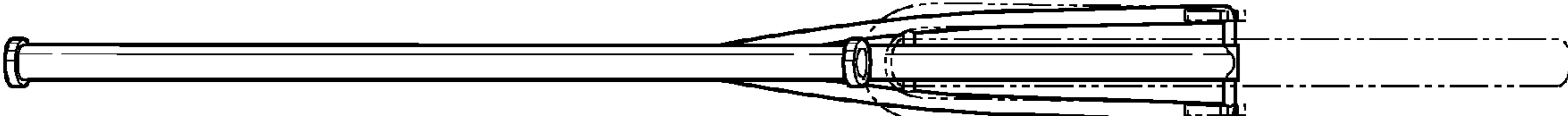
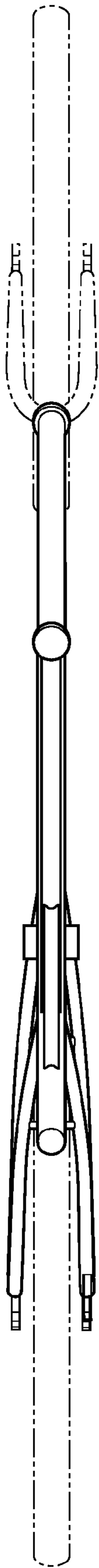
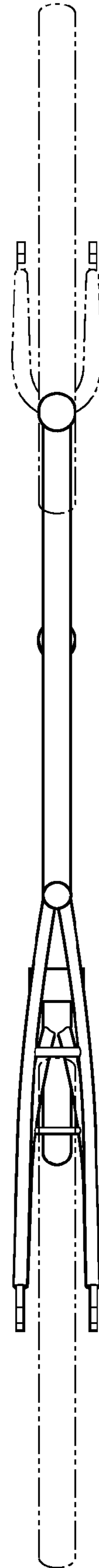


FIG. 4



**FIG. 6**



**FIG. 7**

FIG. 8

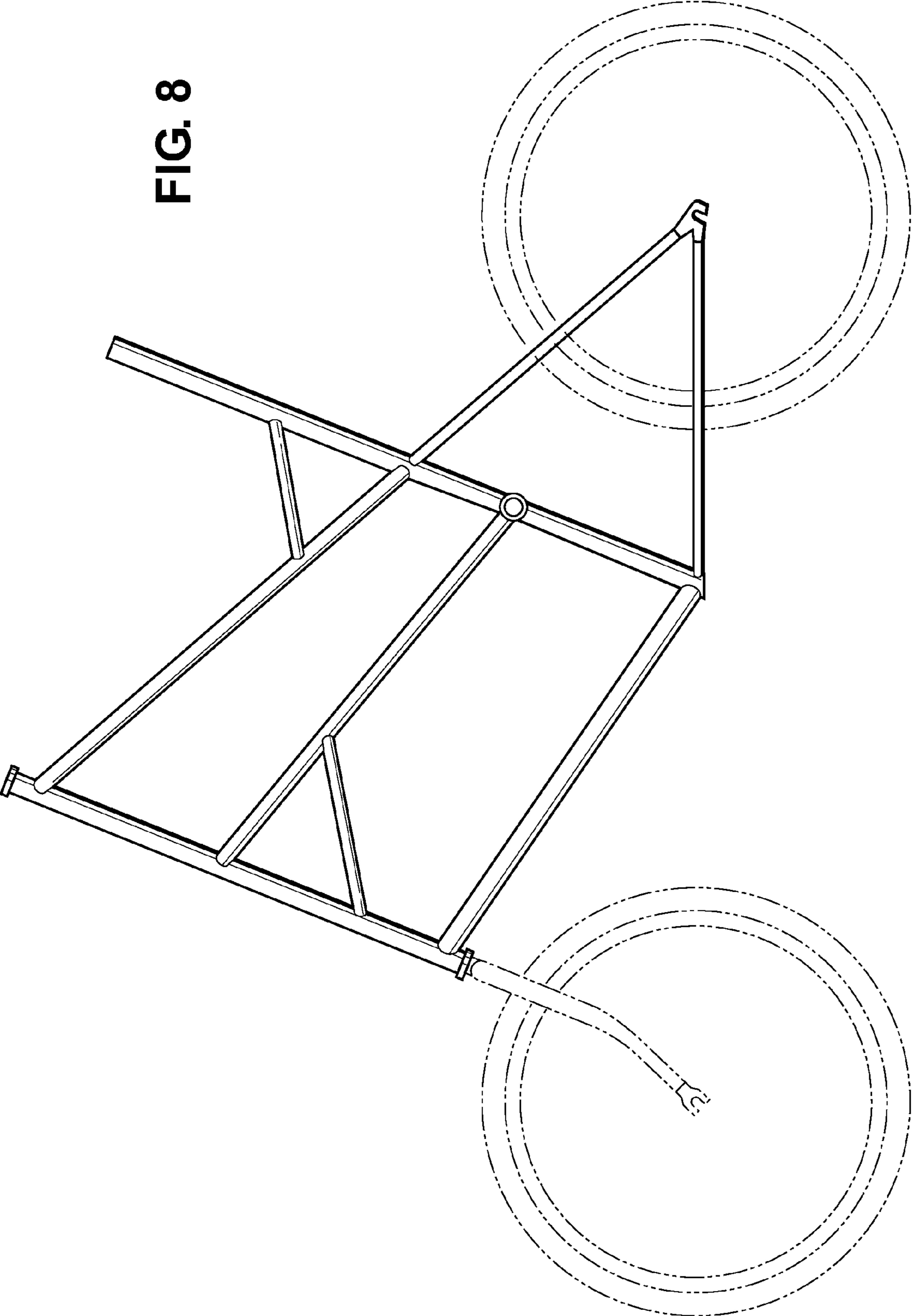
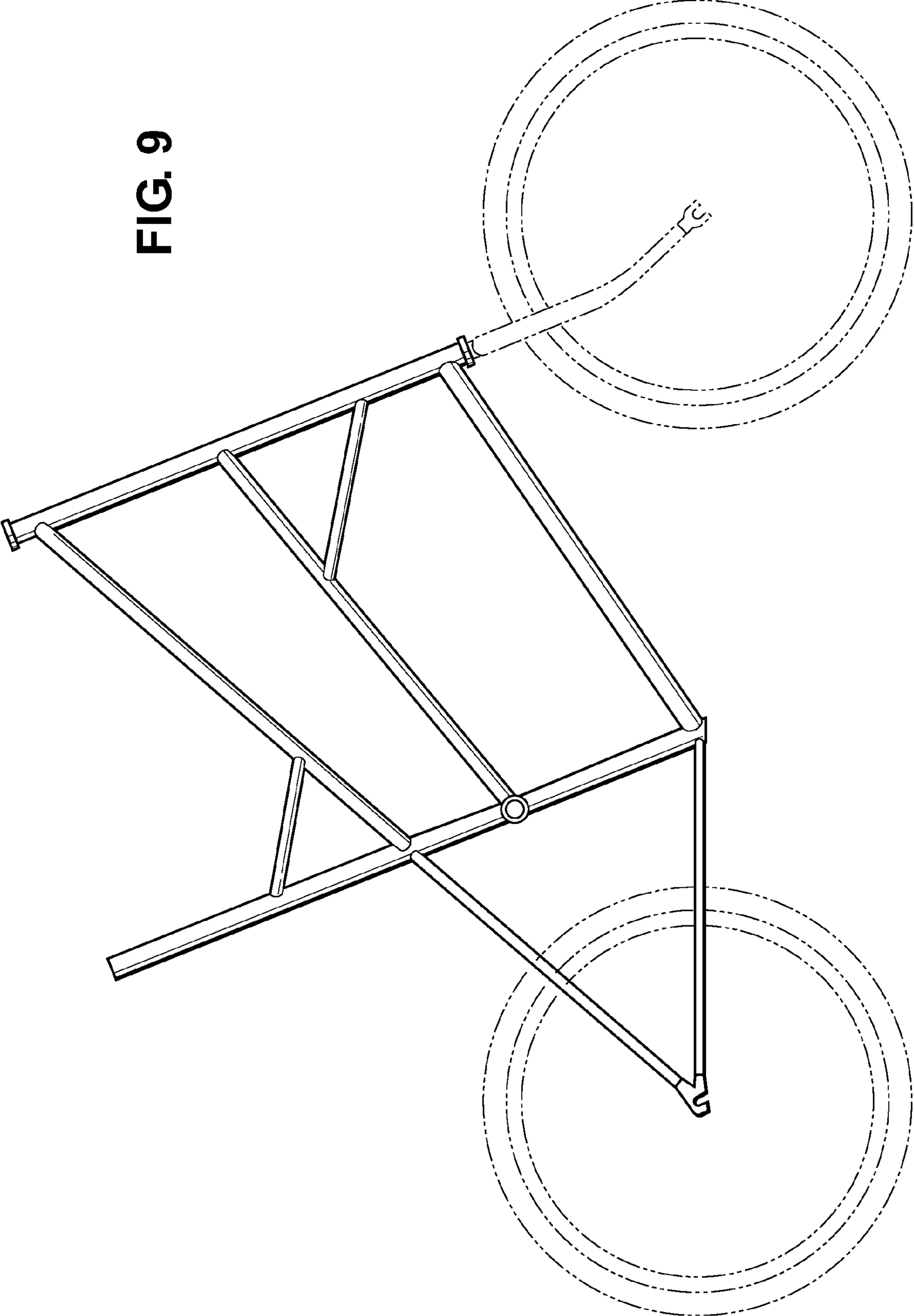




FIG. 9



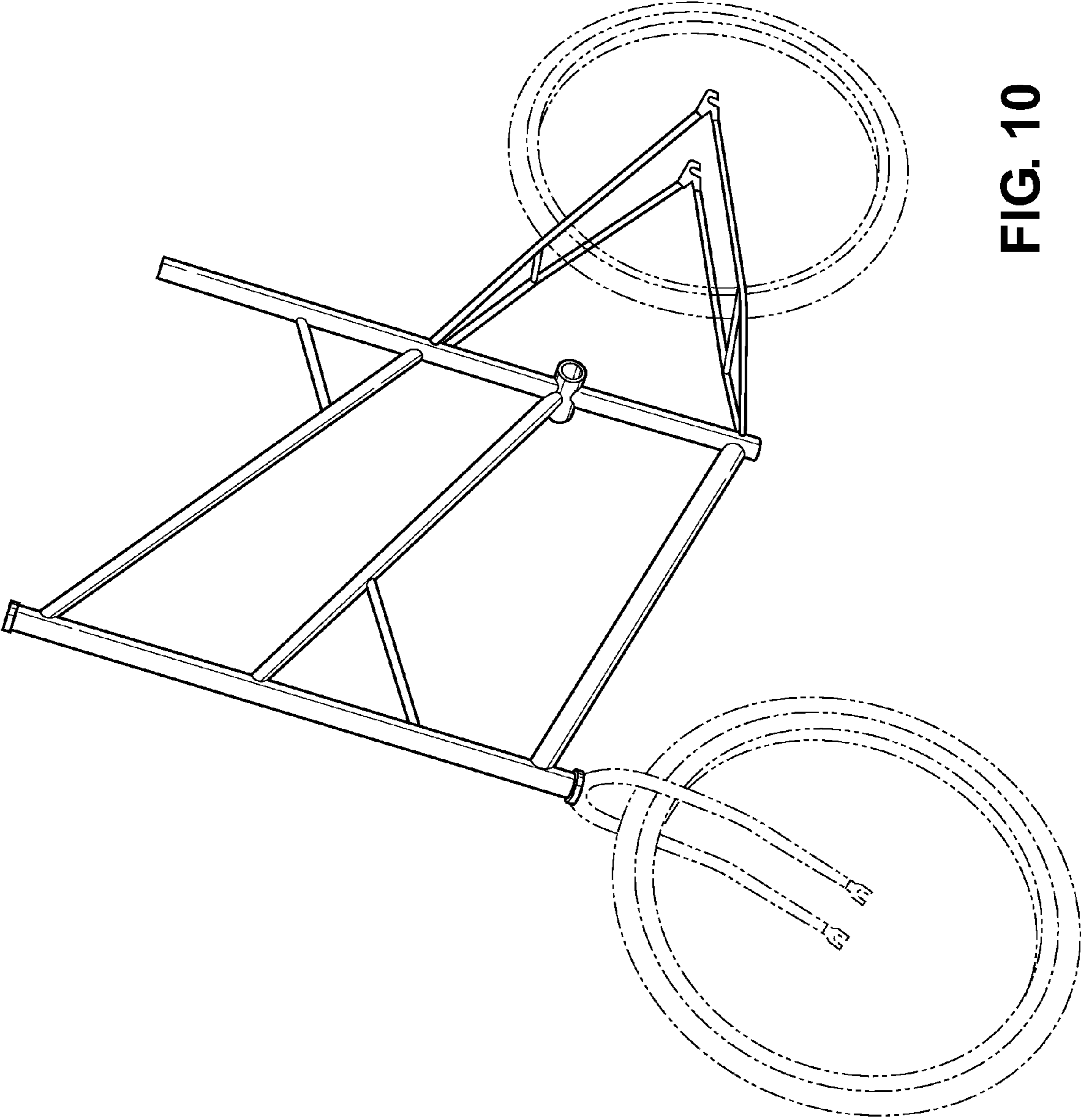


FIG. 10

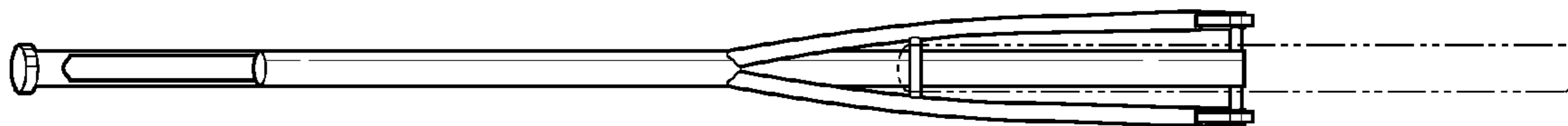


FIG. 11

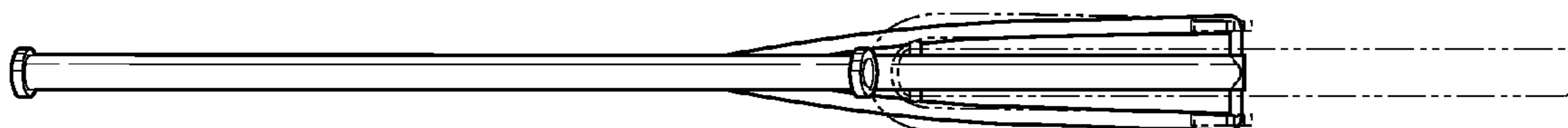
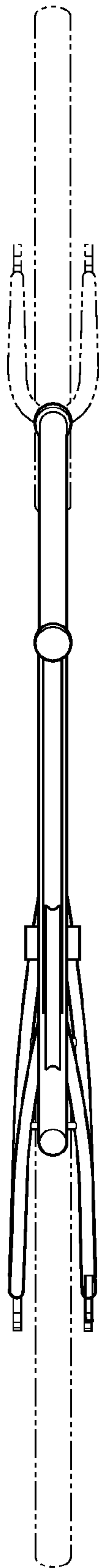
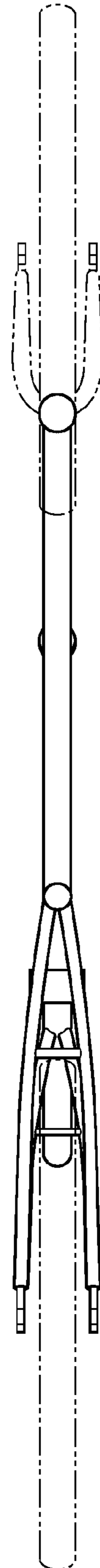


FIG. 12



**FIG. 13**



**FIG. 14**