



US00D619050S

(12) **United States Design Patent**
Tolhurst et al.

(10) **Patent No.:** **US D619,050 S**
(45) **Date of Patent:** **** Jul. 6, 2010**

(54) **RECUMBENT BICYCLE**

D479,494 S * 9/2003 Roy D12/111

(76) Inventors: **John Irvn Tolhurst**, 2A Bisbane Terrace, Perth, Western Australia (AU) 6000; **Ronald Ian Witt**, 23 Squire Ave, Heathridge, Perth W.A. 6027 (AU)

* cited by examiner

Primary Examiner—Philip S Hyder
Assistant Examiner—Linda G. Brooks
(74) *Attorney, Agent, or Firm*—Leyendecker & Lemire, LLC; Kurt Leyendecker

(**) Term: **14 Years**

(57) **CLAIM**

(21) Appl. No.: **29/341,792**

The ornamental design for a recumbent bicycle, as shown and described.

(22) Filed: **Aug. 12, 2009**

(51) **LOC (9) Cl.** **12-11**

DESCRIPTION

(52) **U.S. Cl.** **D12/111**

FIG. 1 is a first left side isometric view of a recumbent bicycle according to the present invention.

(58) **Field of Classification Search** D12/111,

FIG. 2 is a left side view of the recumbent bicycle according to the present invention.

D12/117; 280/275–288, 261, 259, 260, 265, 280/274

FIG. 3 is a second left side isometric view of the recumbent bicycle according to the present invention.

See application file for complete search history.

FIG. 4 is a right side view of the recumbent bicycle according to the present invention.

(56) **References Cited**

U.S. PATENT DOCUMENTS

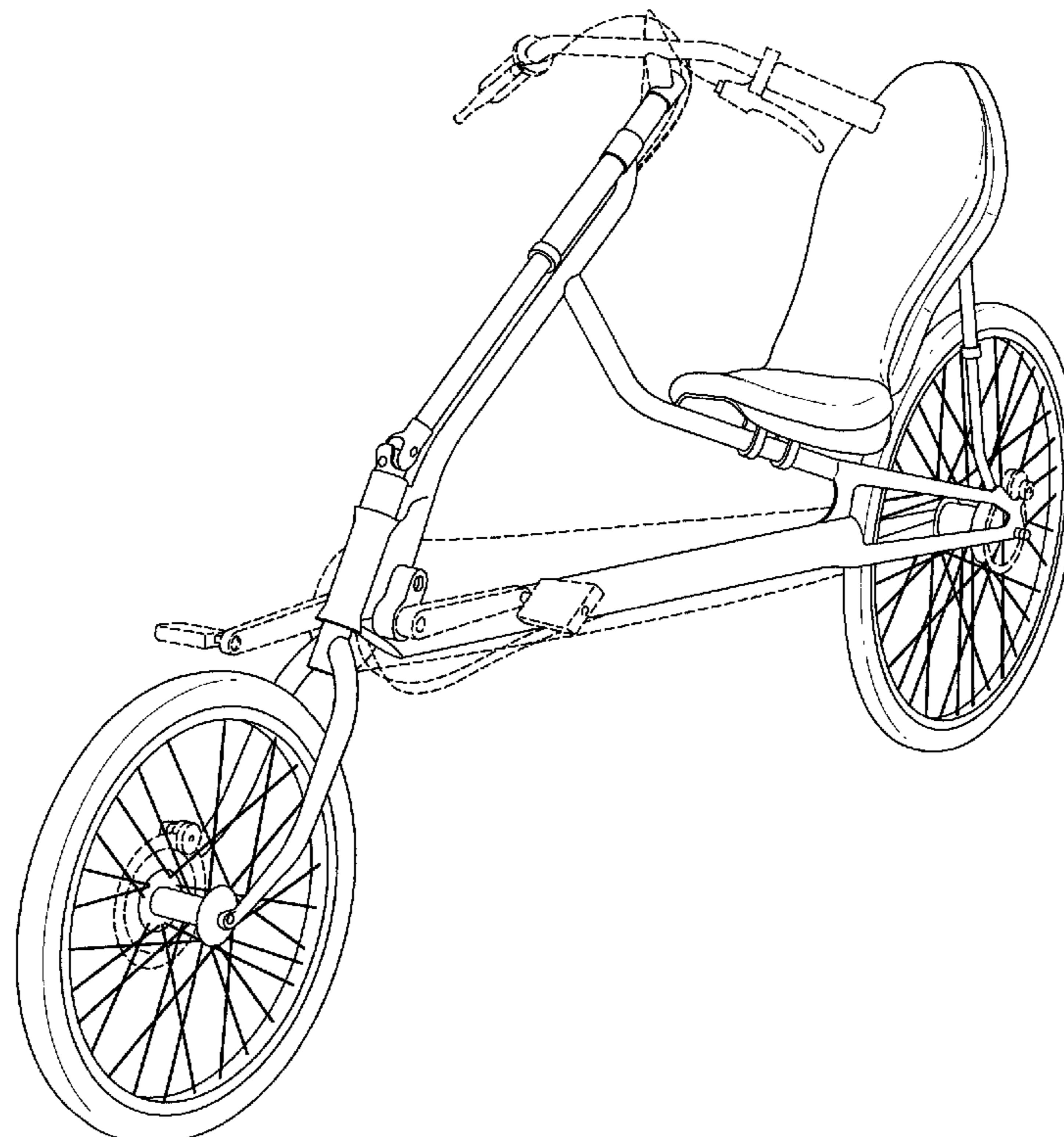
- 4,786,070 A * 11/1988 Adee 280/288.1
- D318,254 S * 7/1991 Turowski D12/111
- 5,201,538 A * 4/1993 Mayn 280/288.1
- D383,098 S * 9/1997 Richman D12/111
- D411,970 S * 7/1999 Ullman et al. D12/111
- 5,951,034 A * 9/1999 Mayo 280/288.1
- D422,946 S * 4/2000 Brummer D12/111

FIG. 5 is a back side view of the recumbent bicycle according to the present invention; and,

FIG. 6 is a front side view of the recumbent bicycle according to the present invention.

The broken lines shown in the drawings illustrate portions of the recumbent bicycle that form no part of the claimed design.

1 Claim, 6 Drawing Sheets



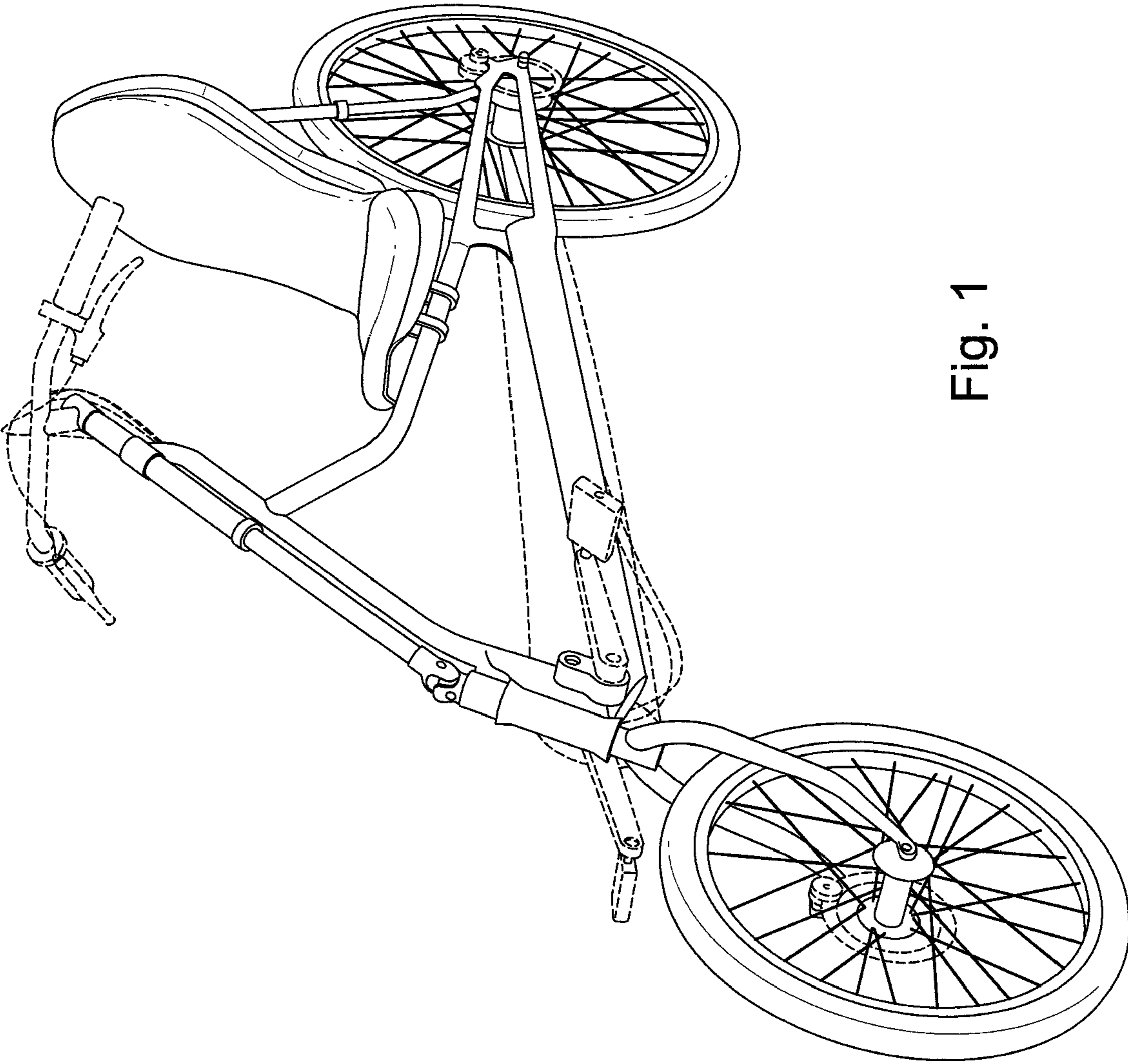


Fig. 1

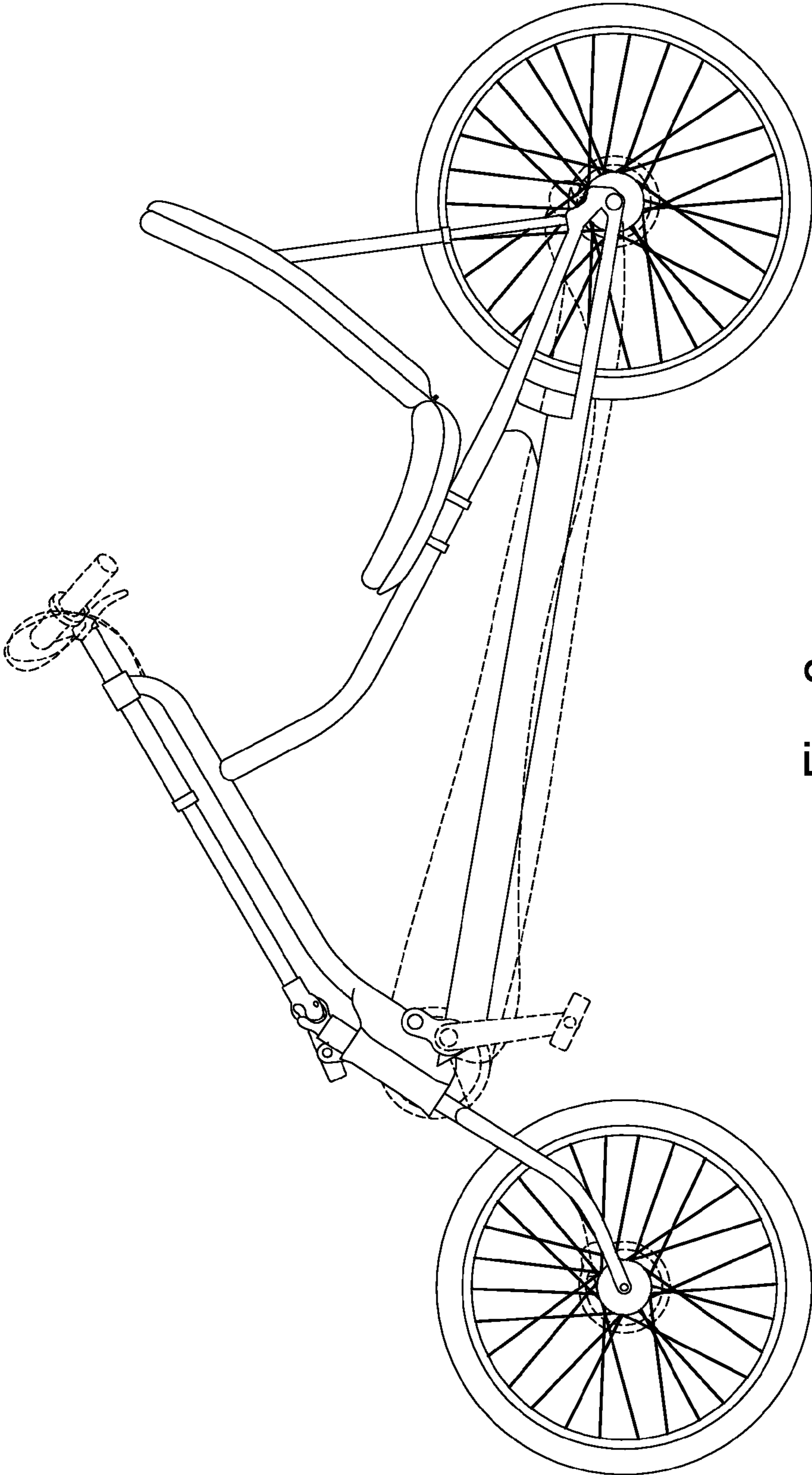


Fig. 2

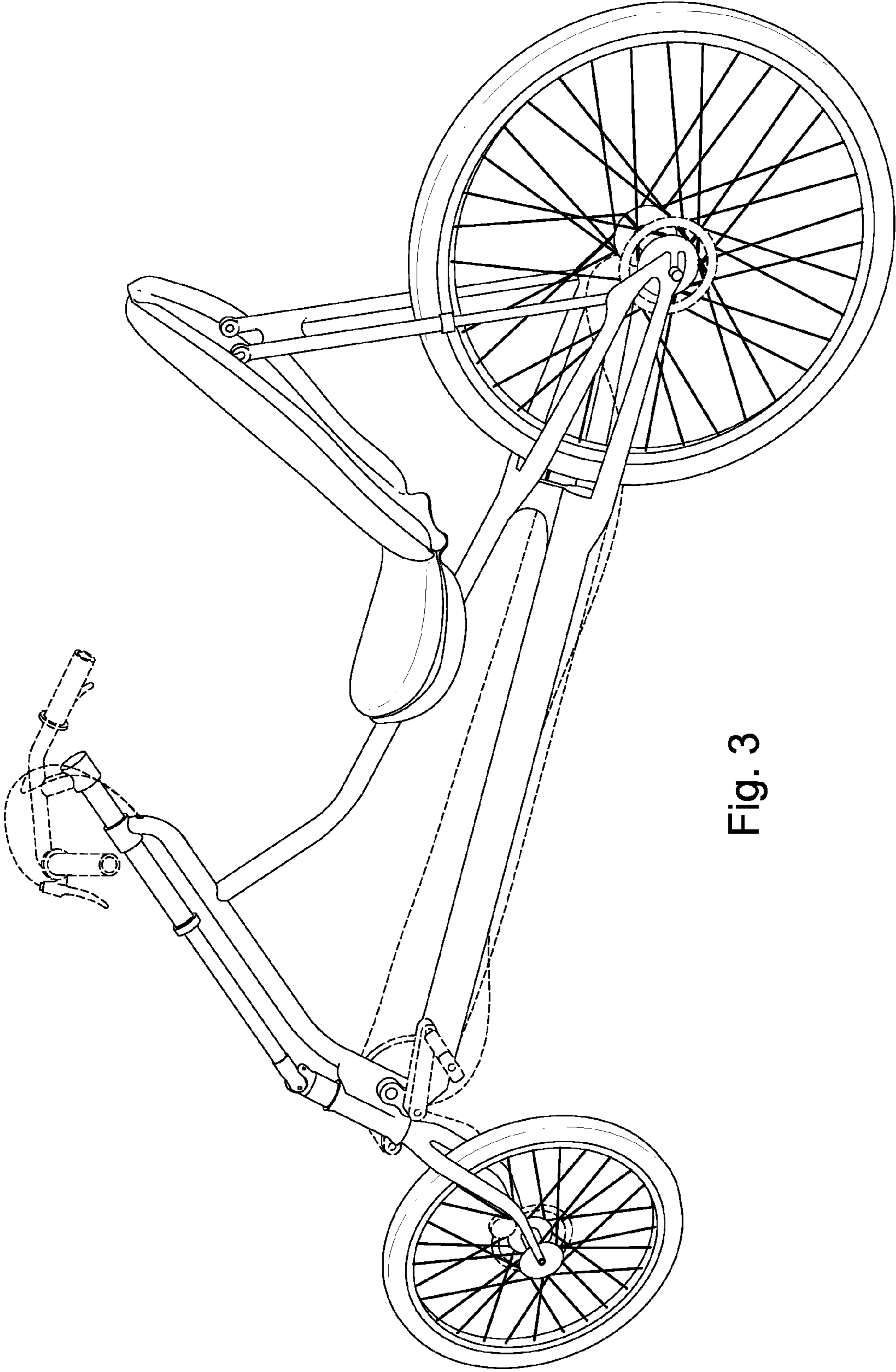


Fig. 3

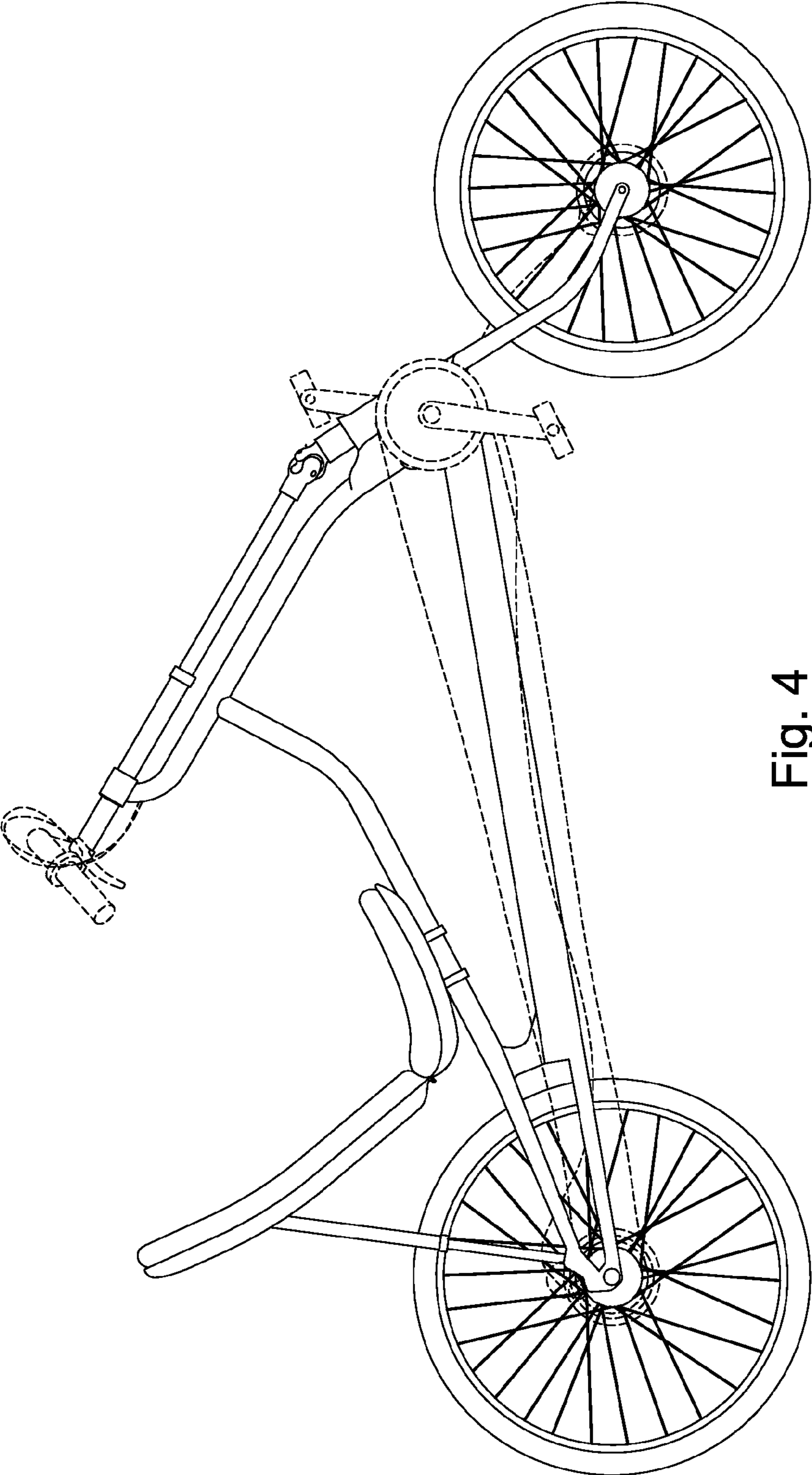


Fig. 4

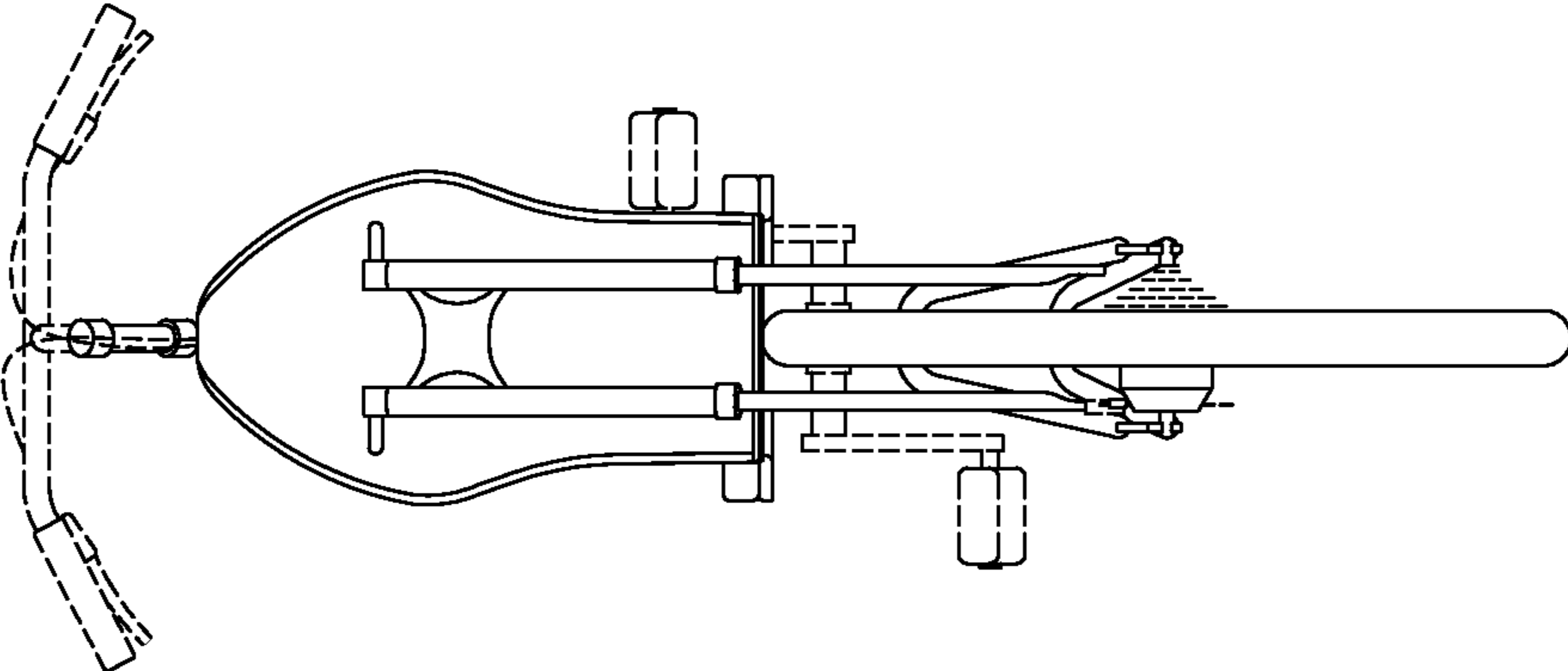


Fig. 5

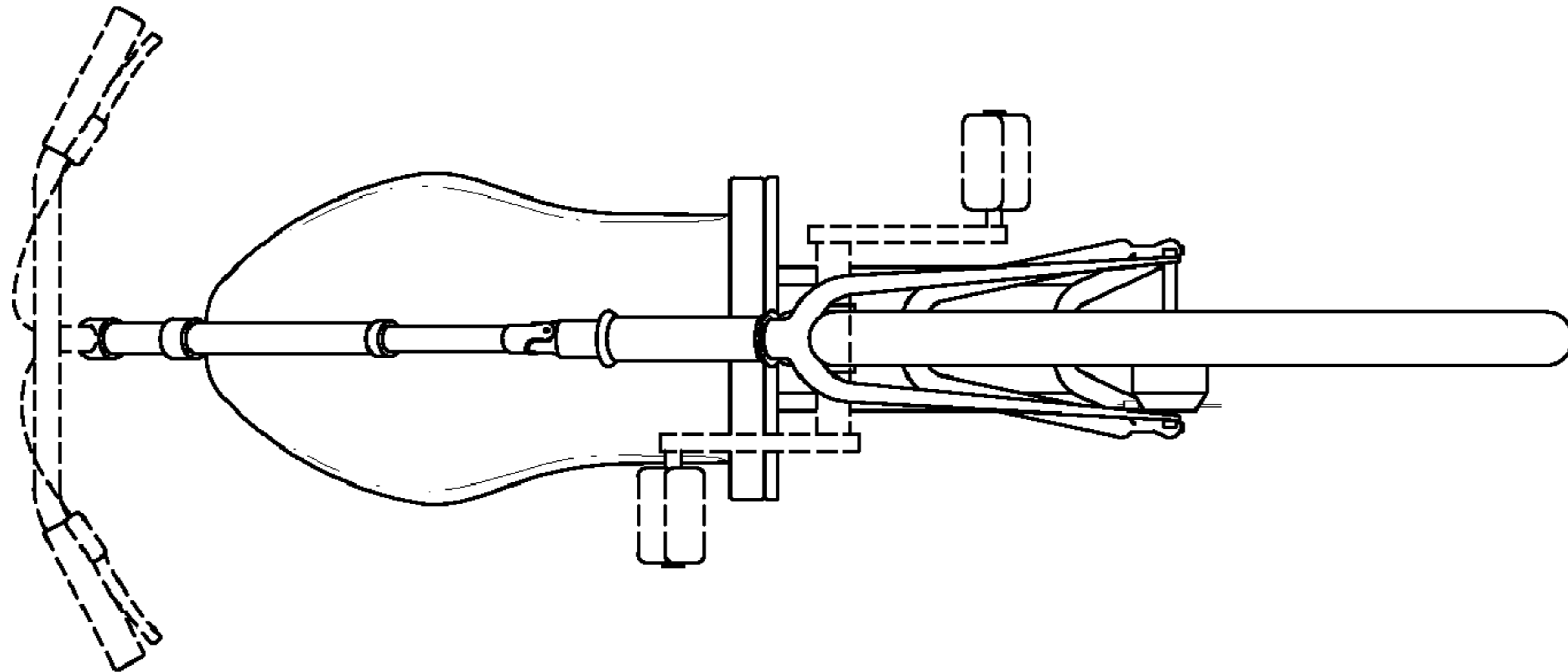


Fig. 6