



US00D619049S

(12) **United States Design Patent**
Beigel et al.

(10) **Patent No.:** **US D619,049 S**

(45) **Date of Patent:** **** Jul. 6, 2010**

(54) **FLAT ROOF SLEEPER CAB OF A TRUCK VEHICLE**

(56) **References Cited**

U.S. PATENT DOCUMENTS

(75) Inventors: **David J. Beigel**, Payne, OH (US); **Marcey K. Collins**, Fort Wayne, IN (US); **Vikas Deshmukh**, Kasarwadi (IN); **Stefano Giolitto**, Southfield, MI (US); **Andrew J. Krum**, Fort Wayne, IN (US); **Vijay Limbkar**, Aundh Annexe (IN); **William Ratliff**, Commerce Township, MI (US); **Ronald E. Schoon**, Fort Wayne, MI (US); **Anthony Lynn Schroeder**, Leo, IN (US); **Jaimi Smith**, Lake Orion, MI (US); **Kris K. Timmerman**, Hometown, IN (US); **Robert Scott Tirey**, Fort Wayne, IN (US); **Bruce Youngs**, Novi, MI (US); **Dale Beever**, Laguna Niguel, CA (US); **Joseph E. Otto**, Fort Wayne, IN (US); **Pradhan Subhransu**, Akurdi (IN); **P. Venugopal**, Bhosari (IN); **Uday Srinivas**, Bopodi (IN); **Nandkumar Khandare**, Chinchwad (IN)

D408,331	S	*	4/1999	Sacco et al.	D12/96
D411,142	S	*	6/1999	Sacco et al.	D12/96
D412,463	S	*	8/1999	Sacco et al.	D12/96
D416,826	S	*	11/1999	Newsome	D11/121
D421,412	S	*	3/2000	Sutton et al.	D12/96
D422,944	S	*	4/2000	Hellhake et al.	D12/96
D540,218	S	*	4/2007	Sekiguchi	D12/96
D540,219	S	*	4/2007	Oka	D12/96
D570,739	S	*	6/2008	Emoto et al.	D12/96
D570,740	S	*	6/2008	Emoto et al.	D12/96
D570,741	S	*	6/2008	Emoto et al.	D12/96
D571,259	S	*	6/2008	Emoto et al.	D12/96

* cited by examiner

Primary Examiner—Melody N Brown
(74) *Attorney, Agent, or Firm*—Jeffrey P. Calfa; Mark C. Bach; Gerald W. Askew

(73) Assignee: **Mahindra Navistar Automotives Limited** (IN)

(57) **CLAIM**

The ornamental design for a flat roof sleeper cab of a truck vehicle, as shown and described.

(**) Term: **14 Years**

DESCRIPTION

(21) Appl. No.: **29/342,615**

FIG. 1 is a left, front perspective view of a flat roof sleeper cab of a truck vehicle showing our new design;

(22) Filed: **Aug. 28, 2009**

FIG. 2 is a front view thereof;

(51) **LOC (9) Cl.** **12-16**

(52) **U.S. Cl.** **D12/96**

FIG. 3 is a top view thereof;

(58) **Field of Classification Search** D12/96,
D12/97, 98, 12, 90–92; 296/180.1–180.3,
296/181.1–185, 183, 183.1, 186, 186.1; 180/89.12,
180/89.1, 242, 449

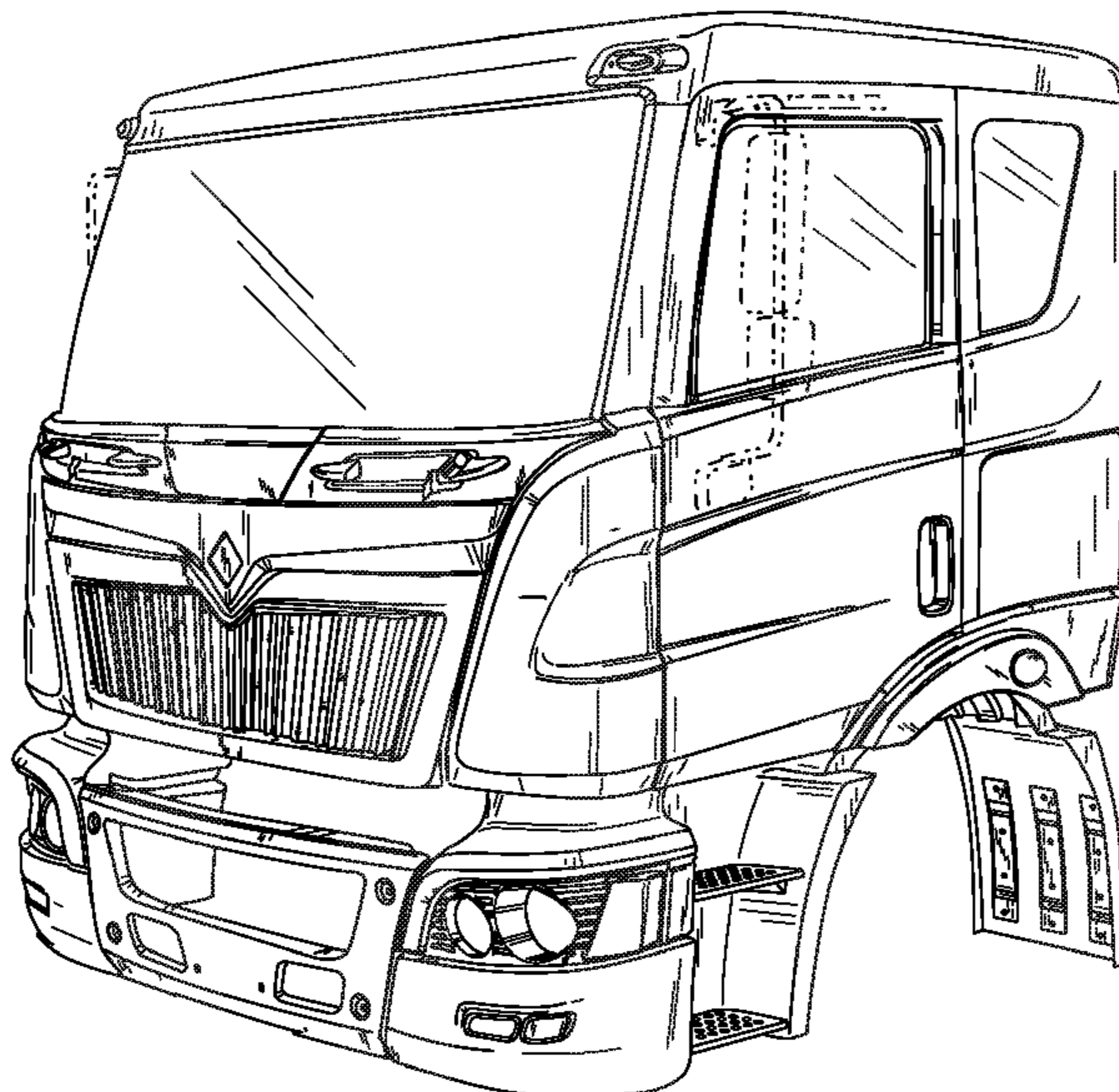
FIG. 4 is a rear view thereof; and,

FIG. 5 is a right view thereof.

The broken lines are for illustrative purposes only and form no part of the claimed design.

See application file for complete search history.

1 Claim, 3 Drawing Sheets



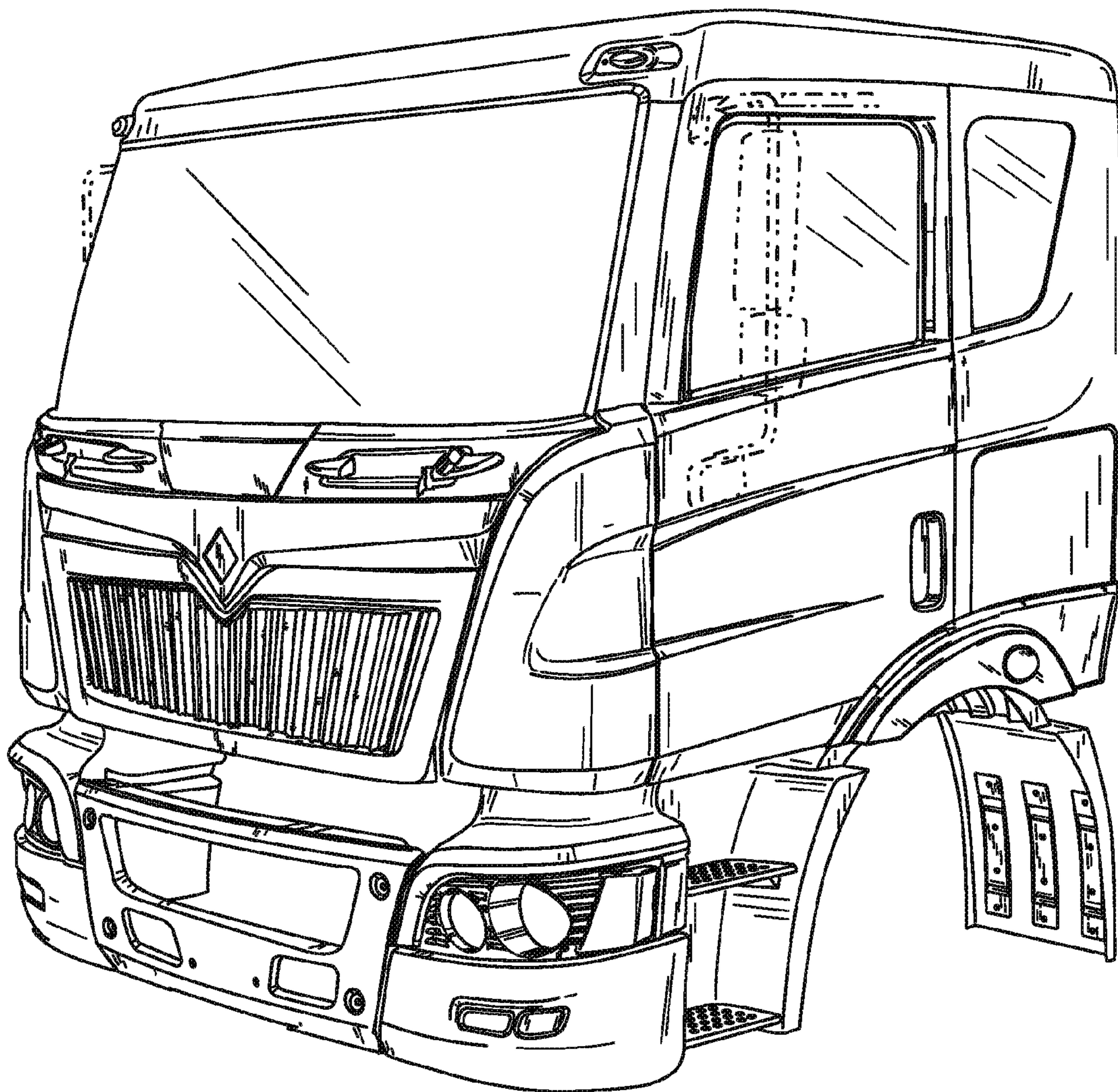


FIG. 1



FIG. 2

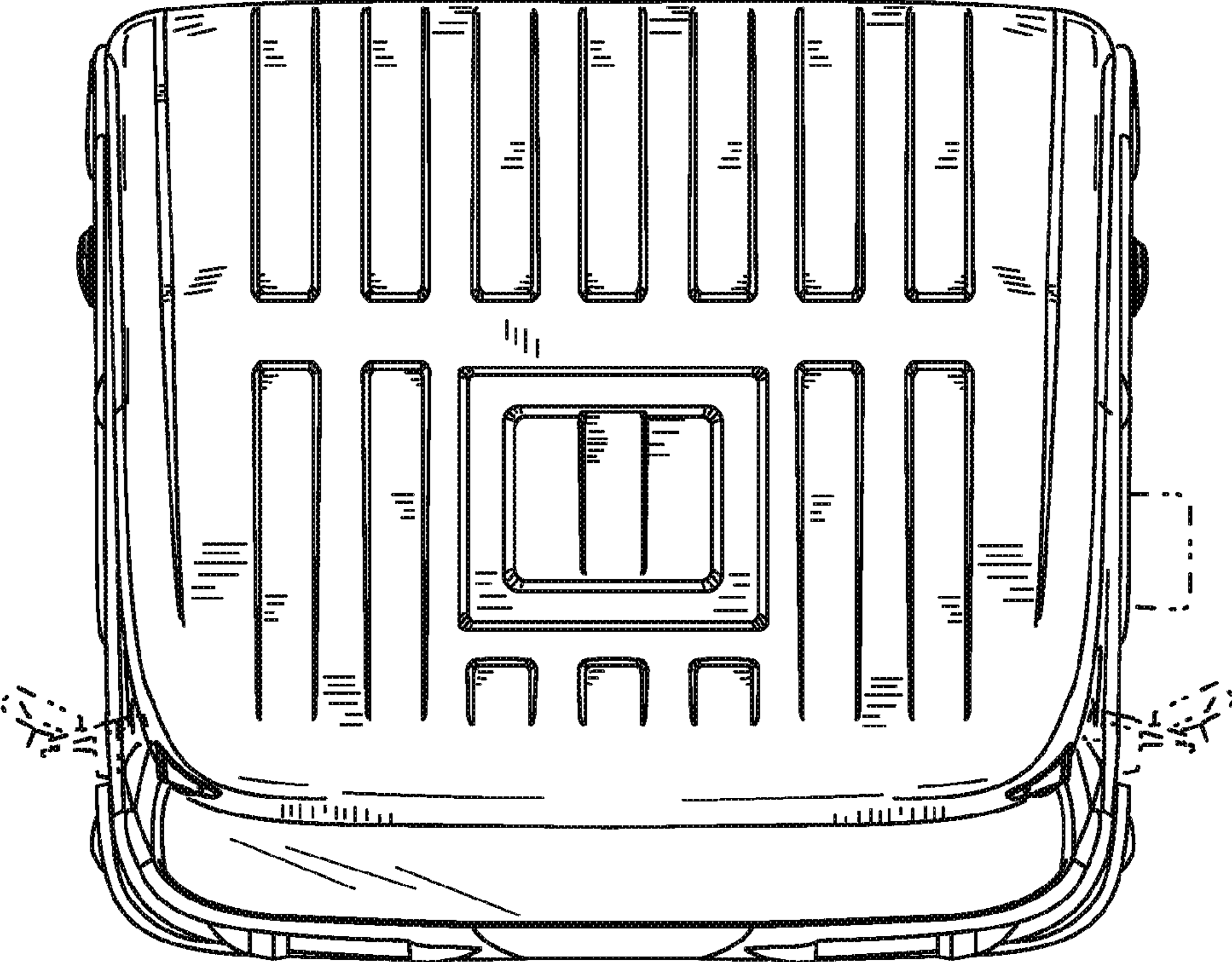


FIG. 3

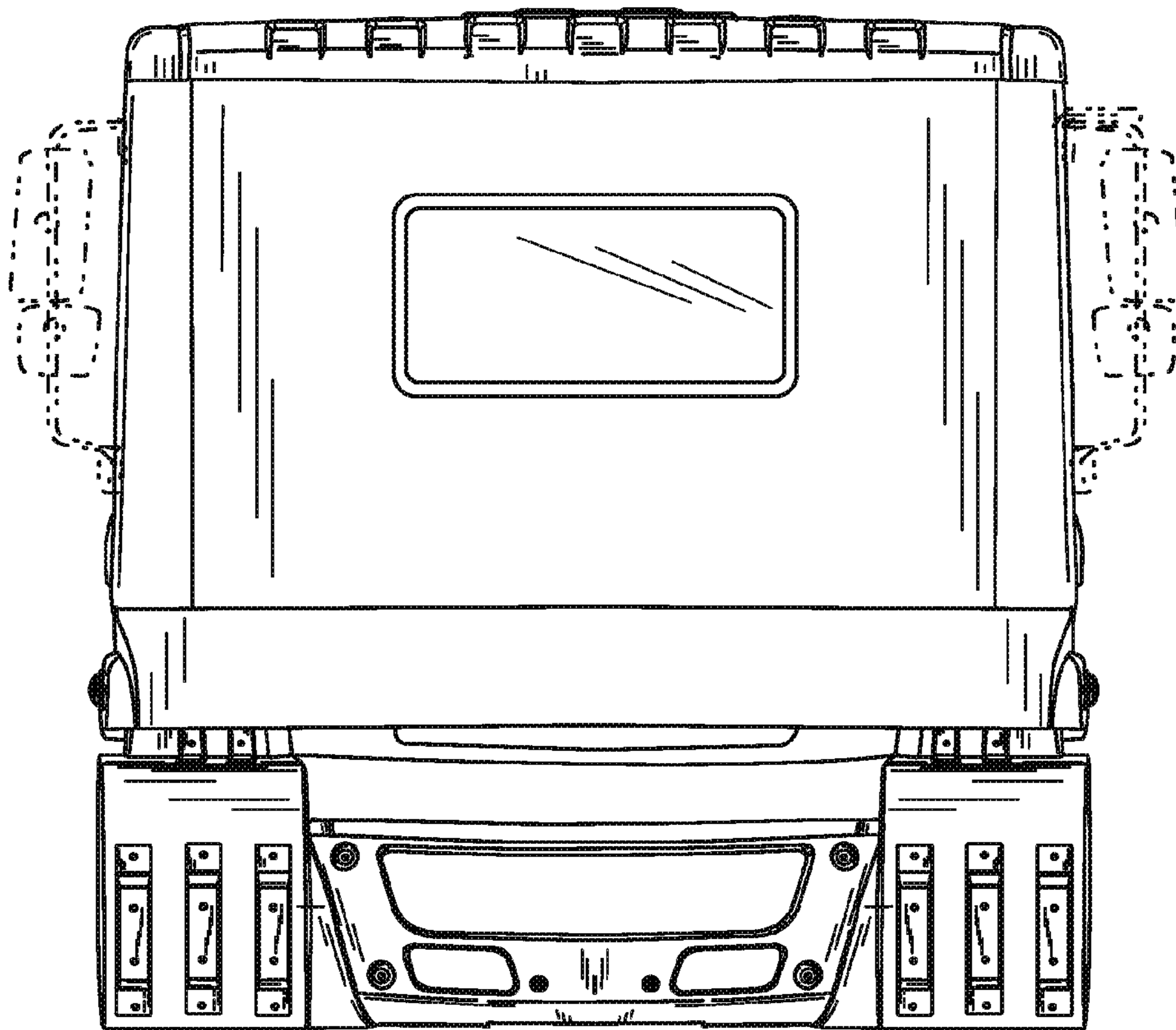


FIG. 4

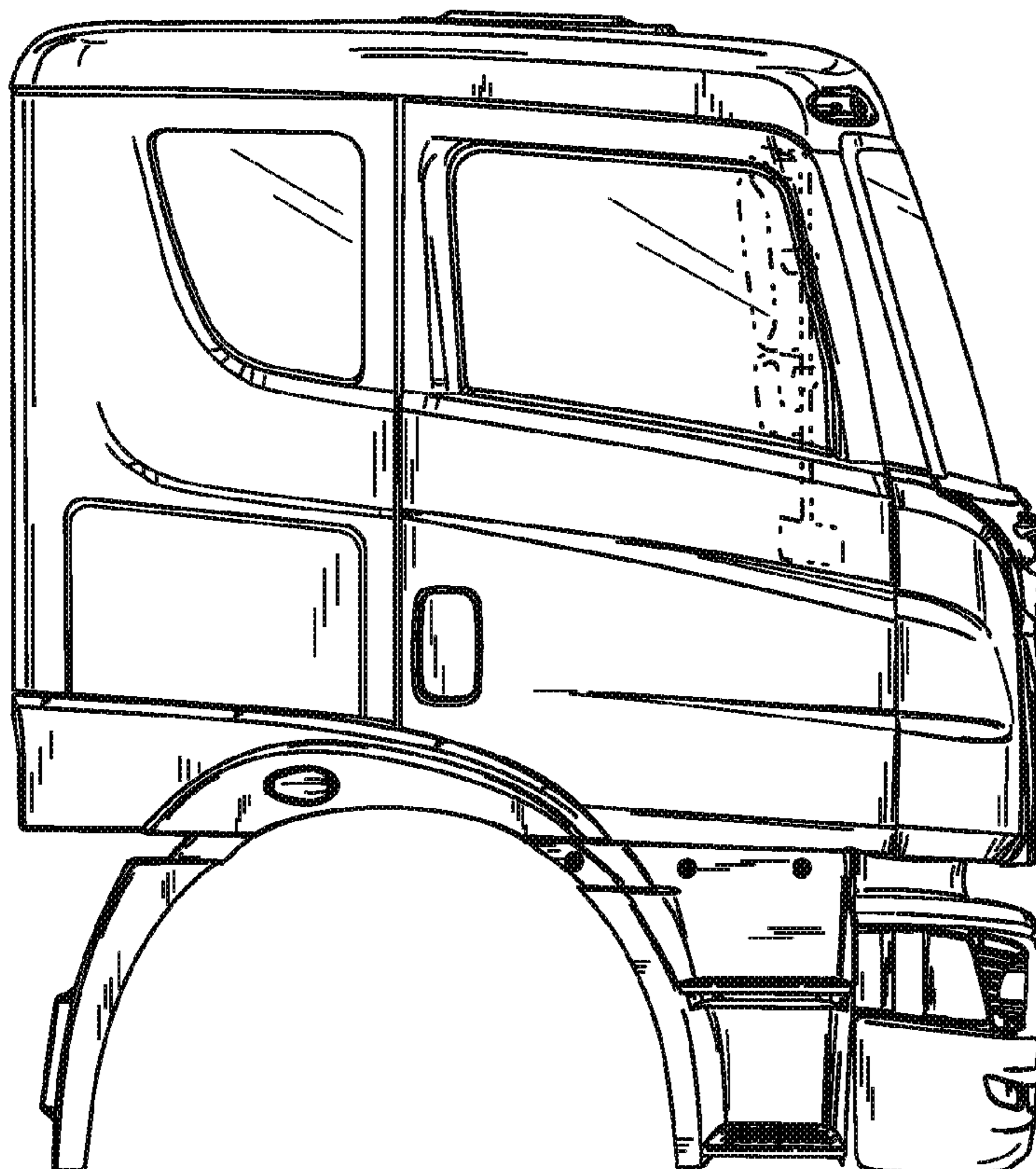


FIG. 5