



US00D619047S

(12) **United States Design Patent**  
**Foster**

(10) **Patent No.:** **US D619,047 S**  
(45) **Date of Patent:** **\*\* Jul. 6, 2010**

(54) **VEHICLE EXTERIOR**

D601,454 S \* 10/2009 Kamimura et al. .... D12/91

(75) Inventor: **Andrew Malcolm Foster**, Pasadena, CA  
(US)

\* cited by examiner

*Primary Examiner*—Melody N Brown

(73) Assignee: **Honda Motor Co., Ltd.**, Tokyo (JP)

(74) *Attorney, Agent, or Firm*—Plumsea Law Group, LLC;  
Mark E. Duell

(\*\*) Term: **14 Years**

(57) **CLAIM**

(21) Appl. No.: **29/346,350**

The ornamental design for a vehicle exterior, as shown and described.

(22) Filed: **Oct. 30, 2009**

**DESCRIPTION**

(51) **LOC (9) Cl.** ..... **12-08**

FIG. 1 is a front perspective view of a vehicle exterior showing my new design;

(52) **U.S. Cl.** ..... **D12/91**

FIG. 2 is a rear perspective thereof;

(58) **Field of Classification Search** ..... D12/86,  
D12/90–92; D21/424, 433, 434; 296/181.1,  
296/181.5

FIG. 3 is a side elevational view of one side thereof;

See application file for complete search history.

FIG. 4 is a side elevational view of the other side thereof;

(56) **References Cited**

FIG. 5 is a front elevational view thereof;

**U.S. PATENT DOCUMENTS**

FIG. 6 is a rear elevational view thereof; and,

D597,444 S \* 8/2009 Vermeersch et al. .... D12/91

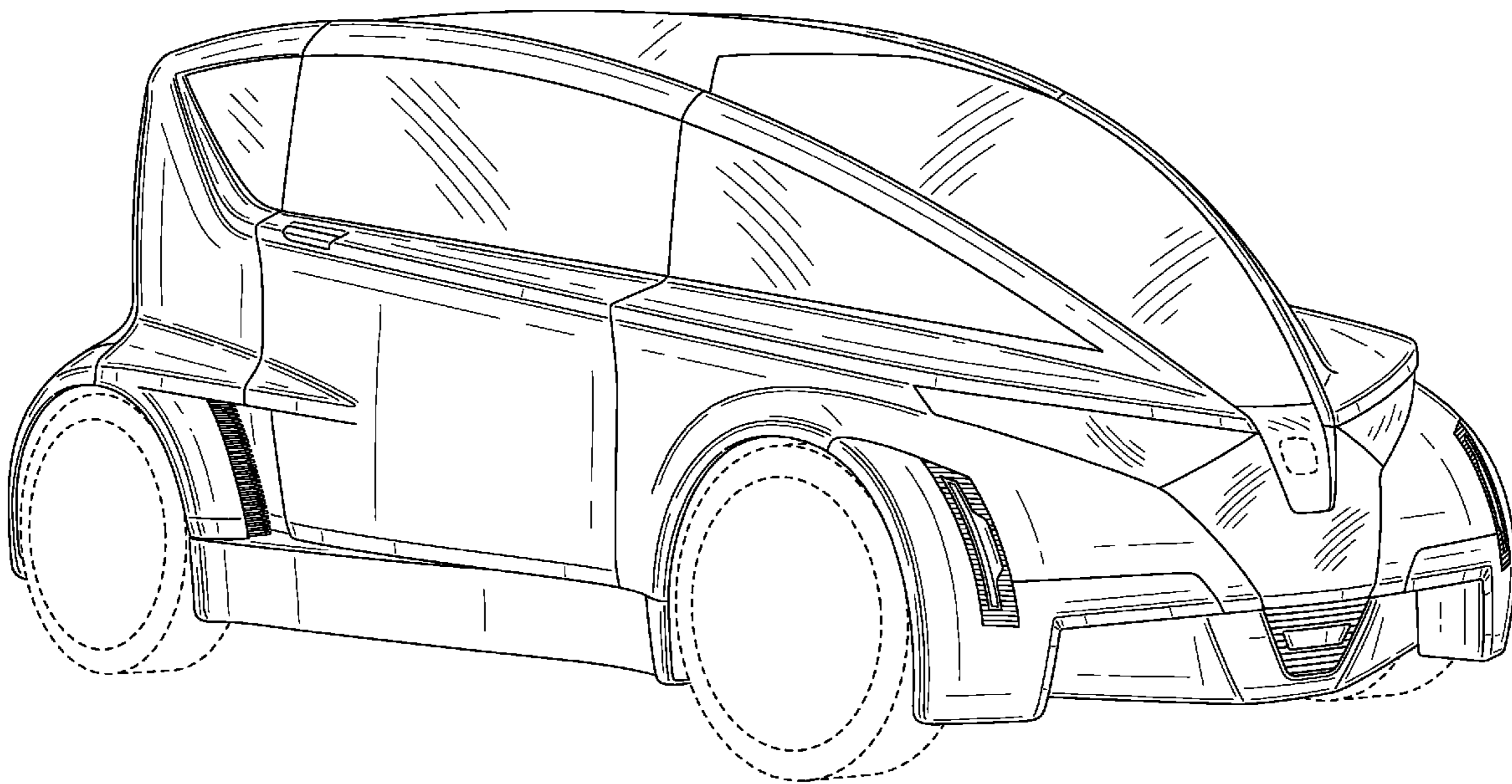
FIG. 7 is a top plan view thereof.

D599,703 S \* 9/2009 Tamiya et al. .... D12/91

The broken line showings of the tires, wheels and lozenge shapes form no part of the claimed design.

D599,707 S \* 9/2009 Cheng et al. .... D12/92

**1 Claim, 7 Drawing Sheets**



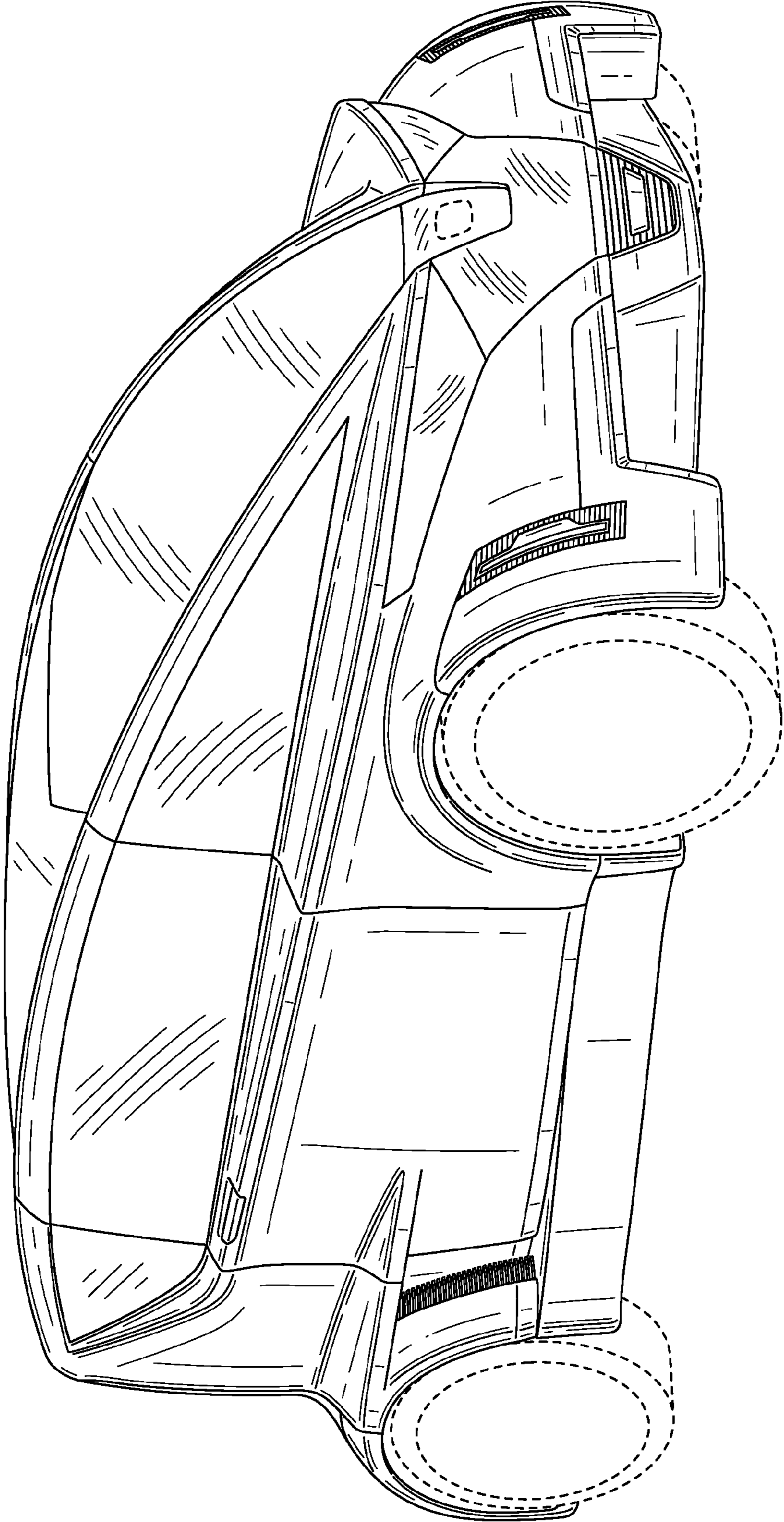


FIG. 1

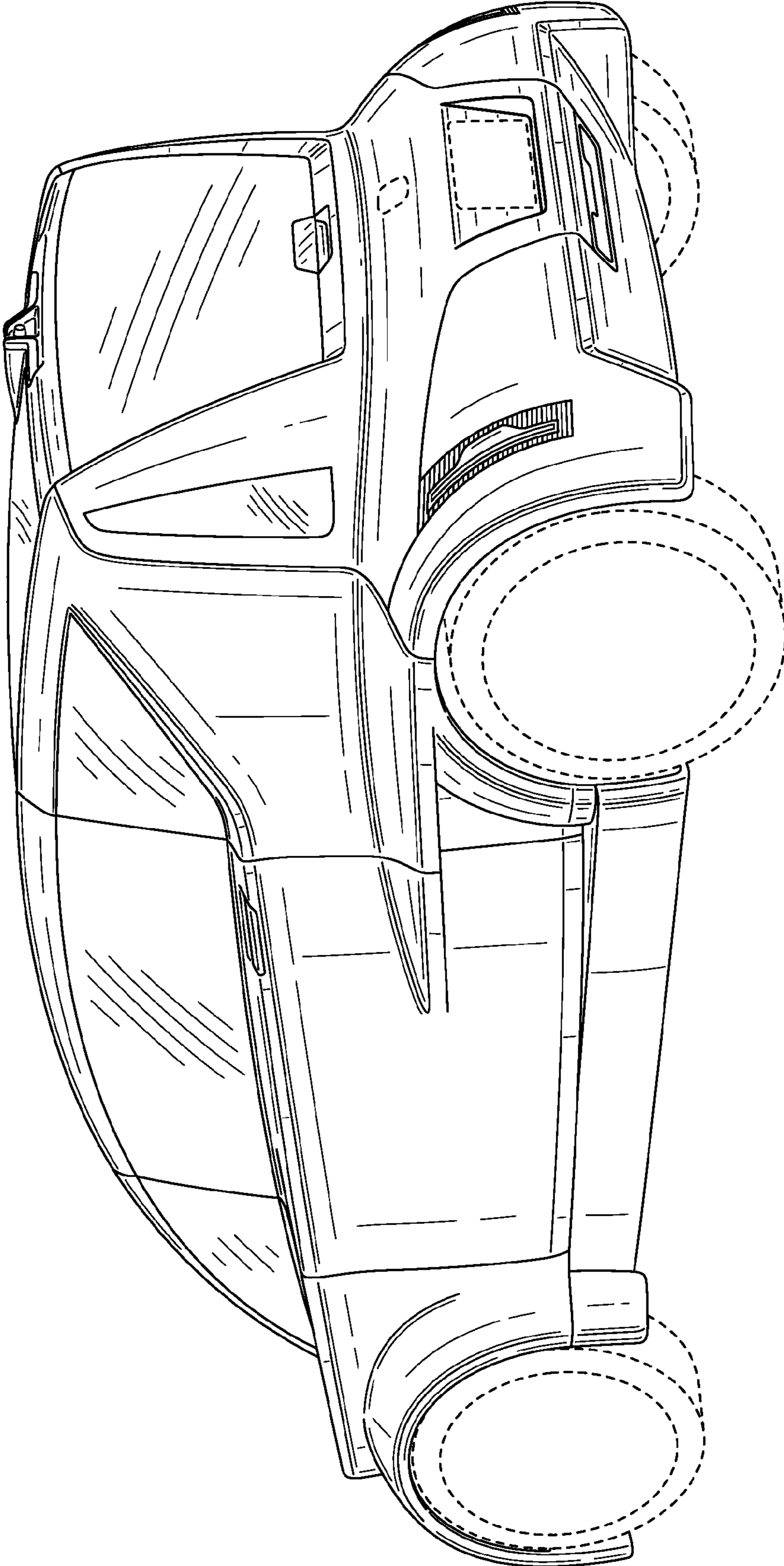


FIG. 2



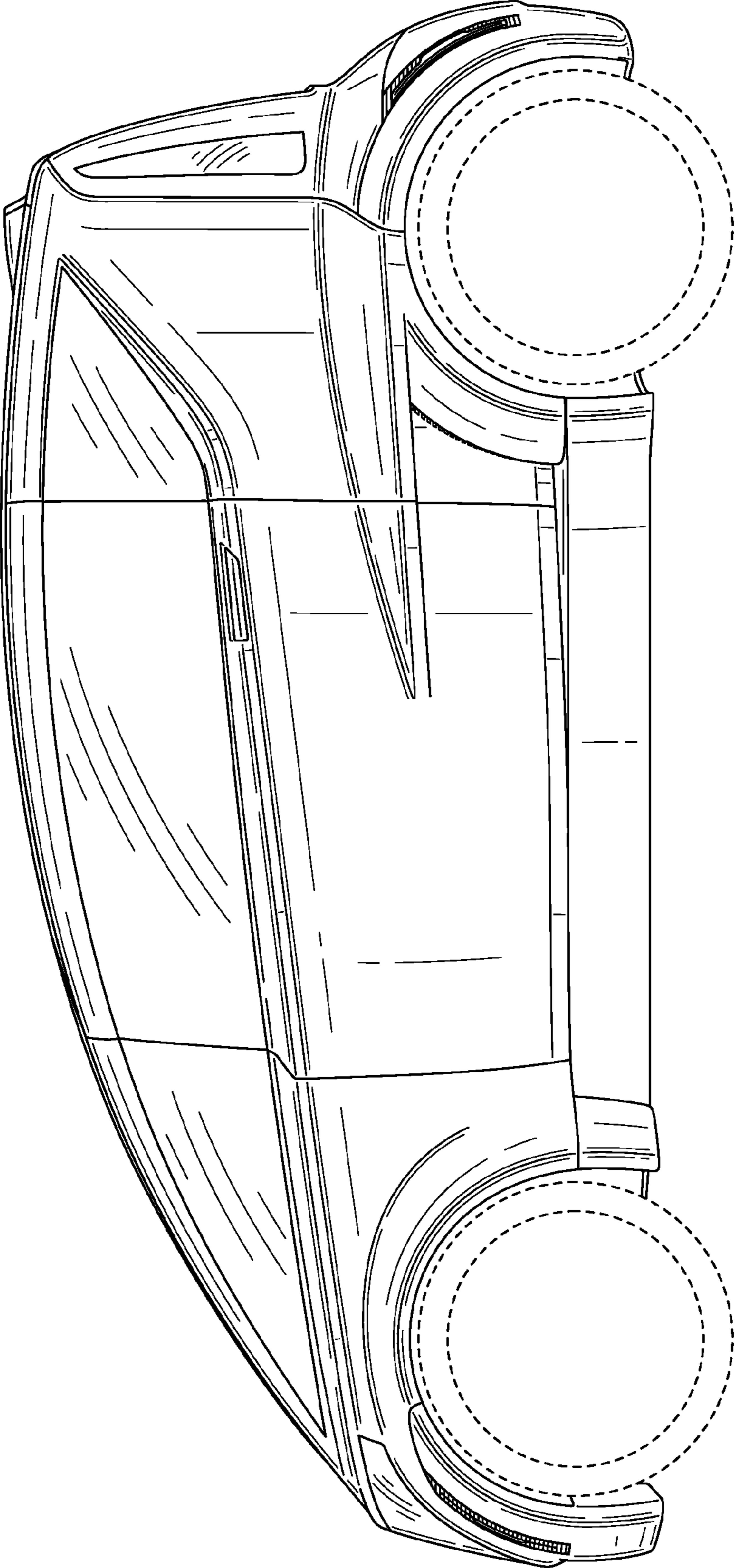


FIG. 3

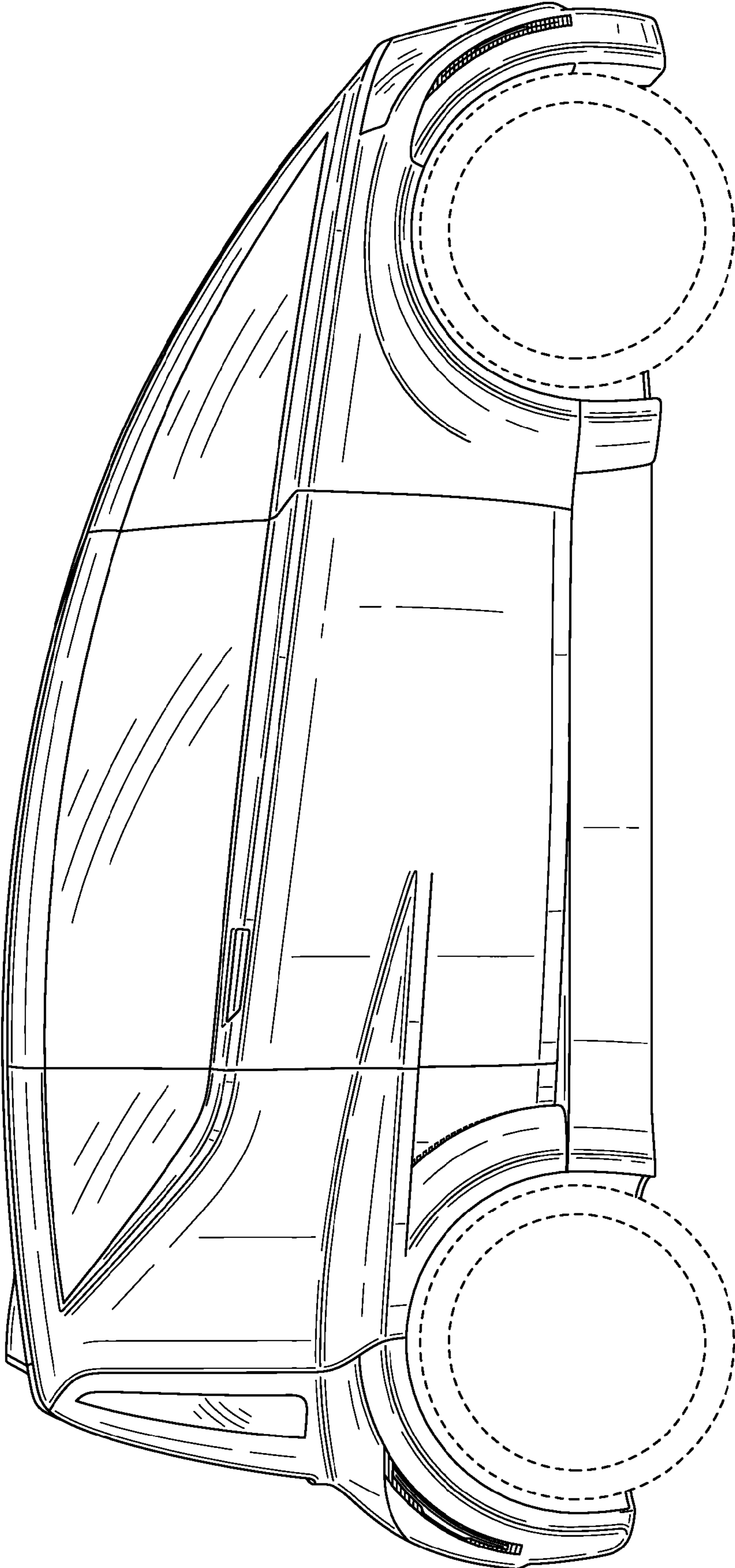


FIG. 4

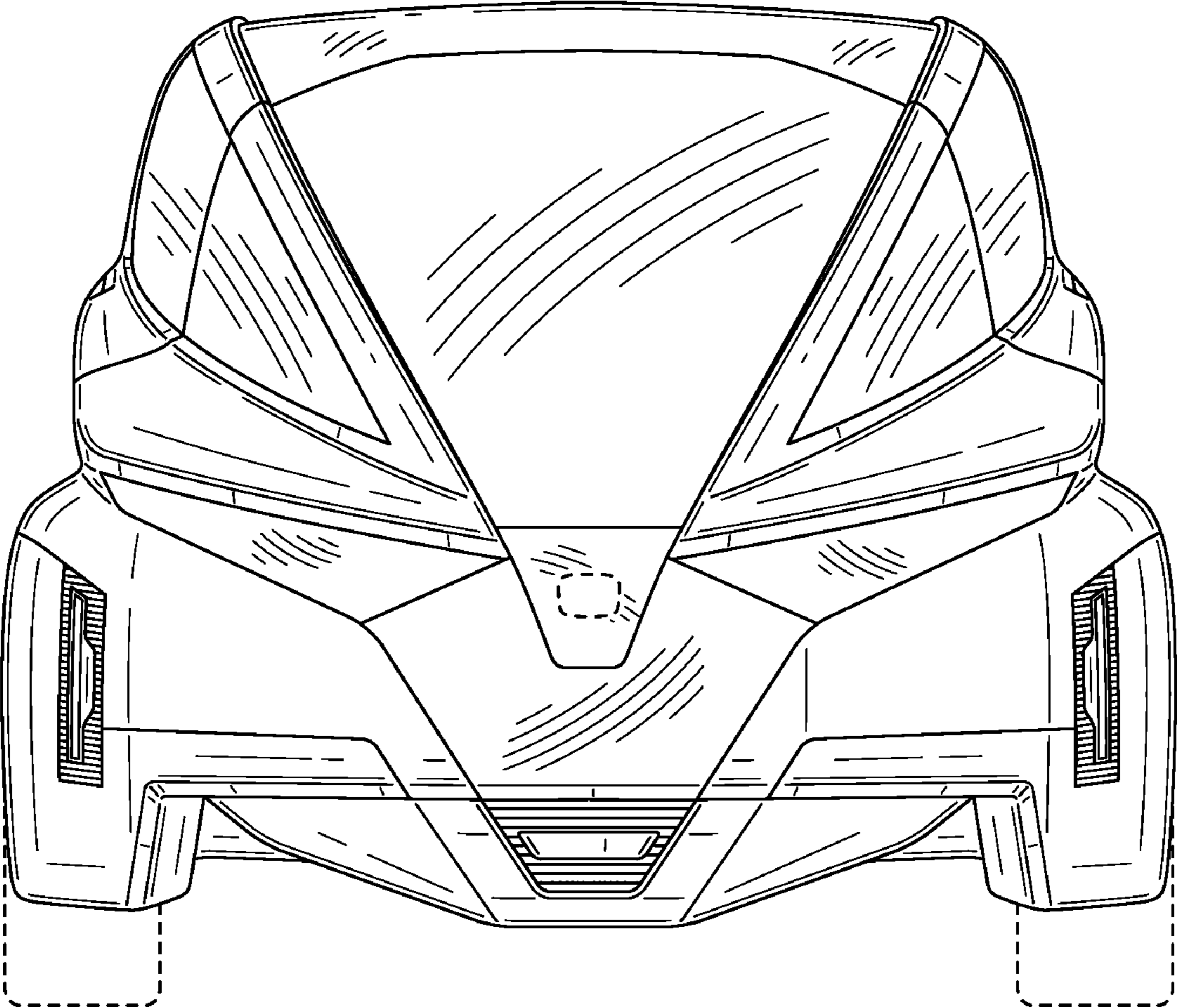


FIG. 5

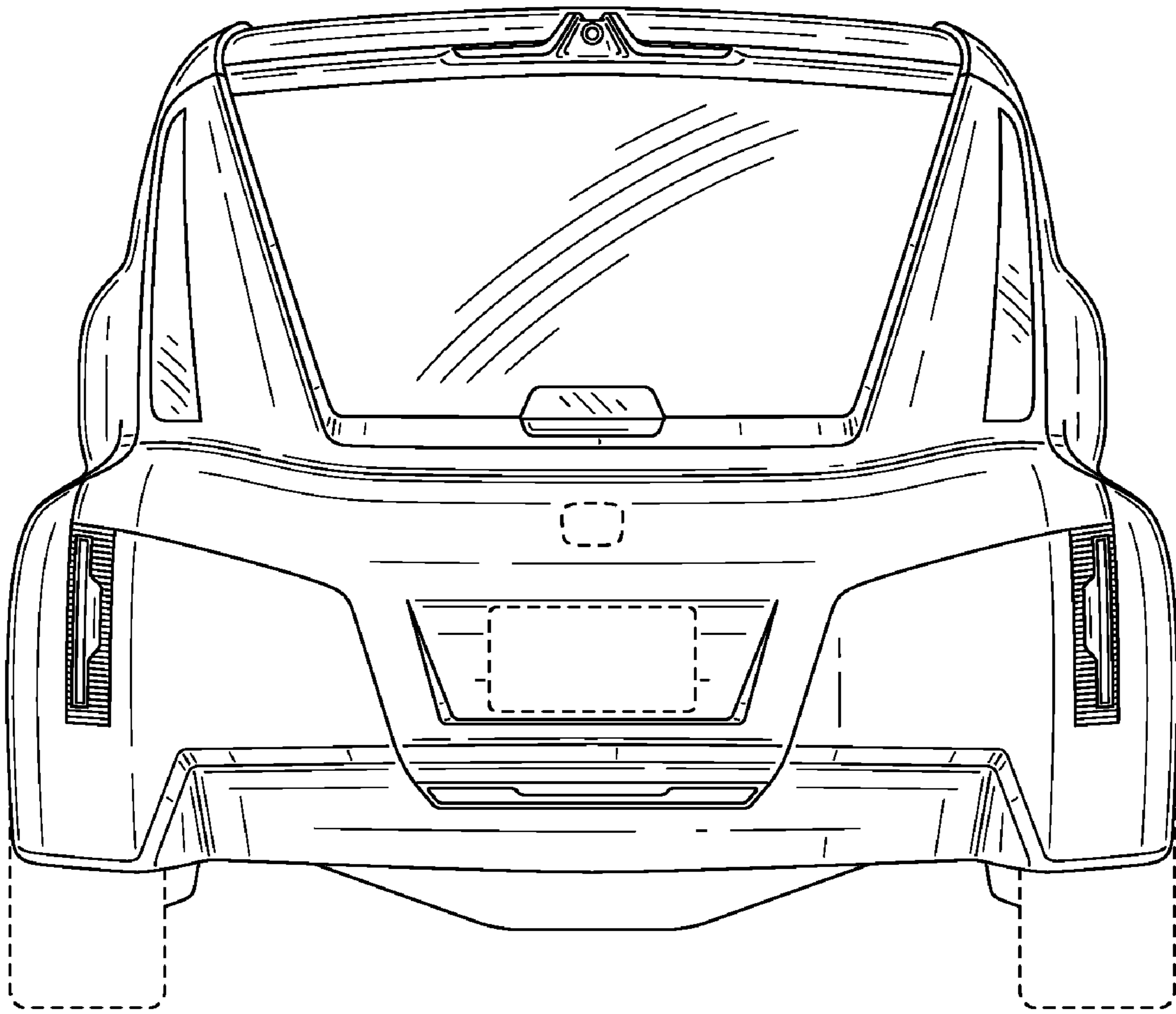


FIG. 6



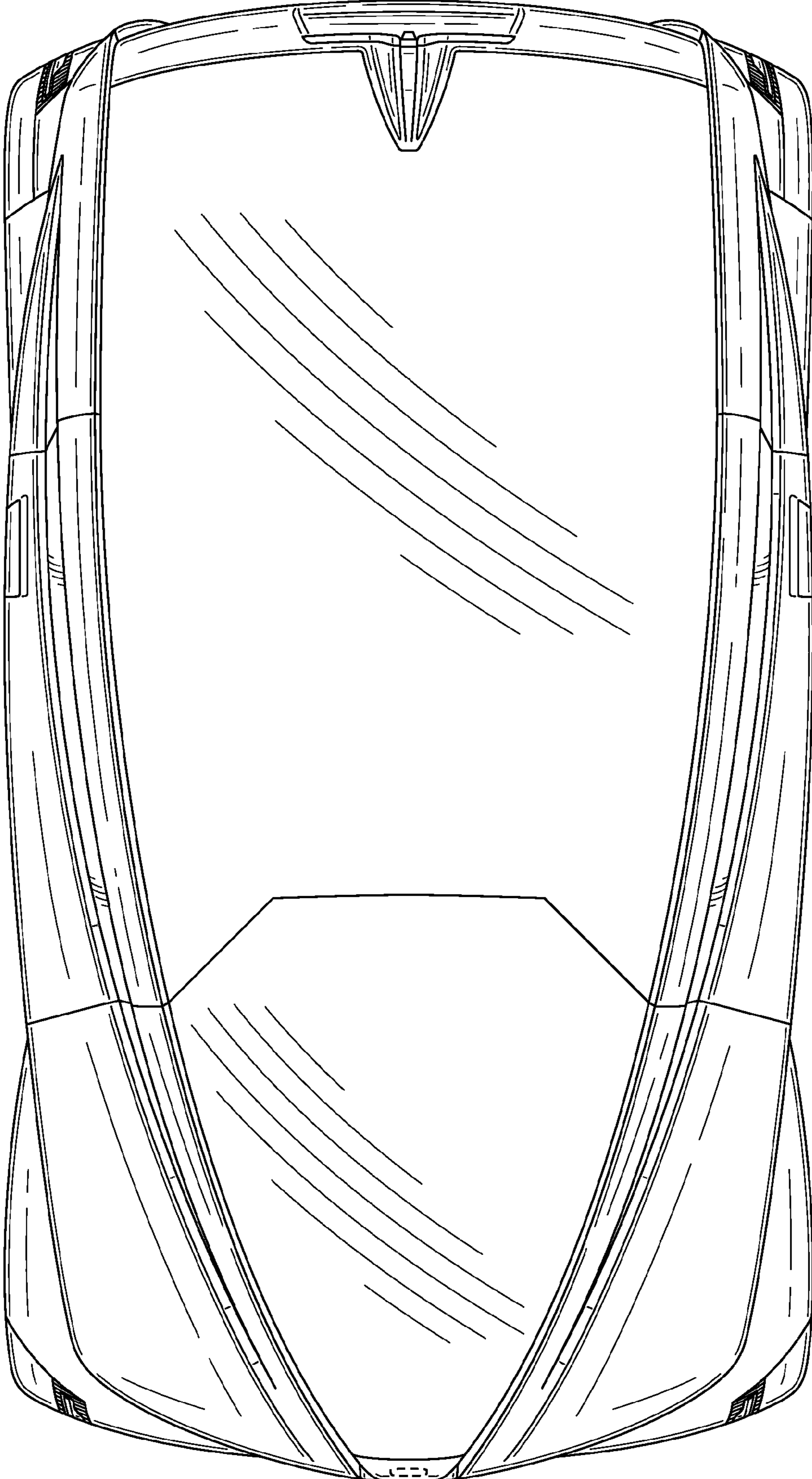


FIG. 7