



US00D619044S

(12) **United States Design Patent**  
**Kiel et al.**

(10) **Patent No.:** **US D619,044 S**  
(45) **Date of Patent:** **\*\* Jul. 6, 2010**

(54) **GUNNER ENCLOSURE WITH OVERHEAD COVER**

(75) Inventors: **Thomas J. Kiel**, Bernardsville, NJ (US);  
**Edward Zuckerman**, Denville, NJ (US);  
**Sanjay Parimi**, Chester, NJ (US); **Allen Brokaw**, Trenton, NJ (US)

(73) Assignee: **The United States of America as represented by the Secretary of the Army**, Washington, DC (US)

(\*\*) Term: **14 Years**

(21) Appl. No.: **29/345,320**

(22) Filed: **Oct. 14, 2009**

**Related U.S. Application Data**

(63) Continuation-in-part of application No. 12/501,580, filed on Jul. 13, 2009, and a continuation-in-part of application No. 11/682,440, filed on Mar. 6, 2007.

(51) **LOC (9) Cl.** ..... **12-13**

(52) **U.S. Cl.** ..... **D12/12**

(58) **Field of Classification Search** ..... D12/86-89, D12/12, 91, 92, 1-4, 98-100; D21/533, D21/539, 548-552, 557-60, 579, 580-583, D21/442, 436, 447, 560, 86, 91; 180/232, 180/242, 89.12, 449; 410/57; 89/36.8, 36.09, 89/37.03, 38, 40.03, 36 F, 36 H, 4 B, 36.1, 89/36.13, 36.04, 36.01, 36.02; 446/471, 446/487; 296/181.3, 1.01, 183, 24.1, 37.6, 296/185, 186, 204, 186.1; 280/838, 839

See application file for complete search history.

(56) **References Cited**

U.S. PATENT DOCUMENTS

D275,270 S \* 8/1984 LeBlanc ..... D12/12  
D275,271 S \* 8/1984 LeBlanc ..... D12/12

\* cited by examiner

*Primary Examiner*—T. Chase Nelson

*Assistant Examiner*—Ania K Dworzecka

(74) *Attorney, Agent, or Firm*—Henry S. Goldfine

(57) **CLAIM**

The ornamental design for a gunner enclosure with overhead cover, as shown and described.

**DESCRIPTION**

The invention described and claimed herein may be manufactured, used, and licensed by or for the U.S. Government for U.S. Government purposes.

FIG. 1 is a perspective view of a gunner protection enclosure with overhead cover showing our new design;

FIG. 2 is a second, close-up perspective view thereof;

FIG. 3 is a front elevation view thereof;

FIG. 4. Is a rear elevation view thereof;

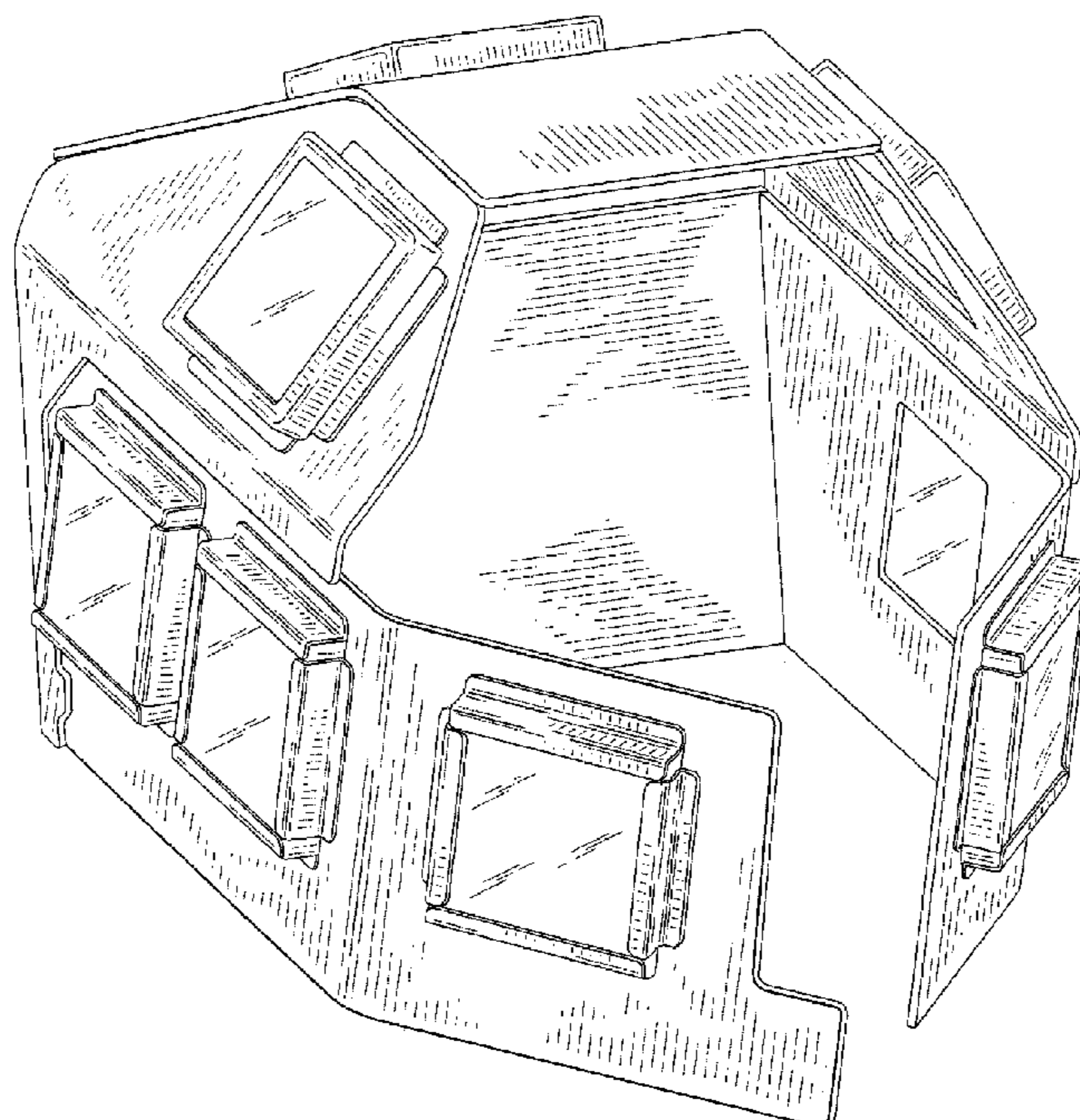
FIG. 5 is a left side elevation view thereof;

FIG. 6 is a right side elevation view thereof; and,

FIG. 7 is a top plan view thereof.

The broken lines shown in FIG. 1 depict environmental subject matter only and form no part of the claimed design.

**1 Claim, 7 Drawing Sheets**



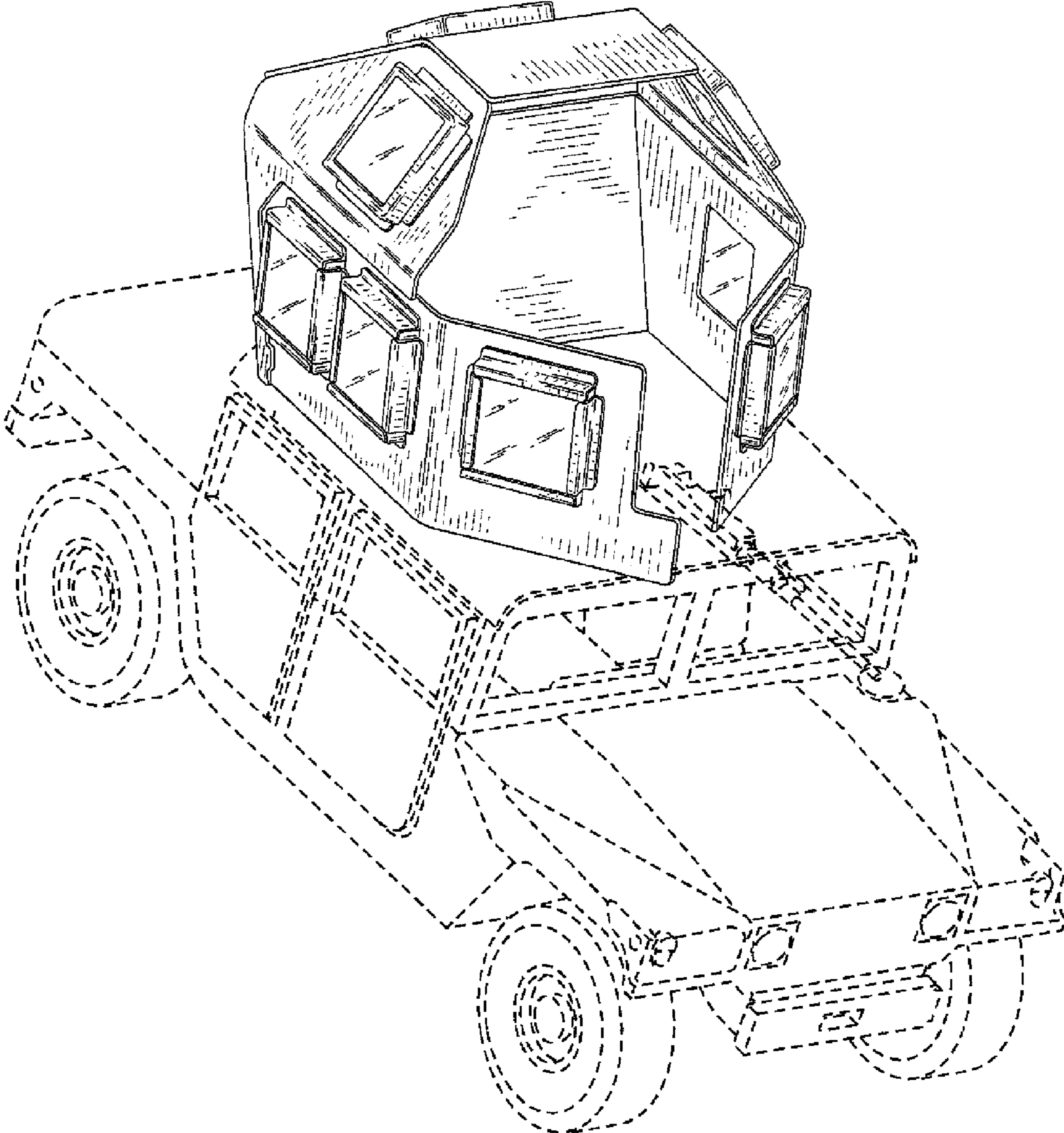


FIG. 1

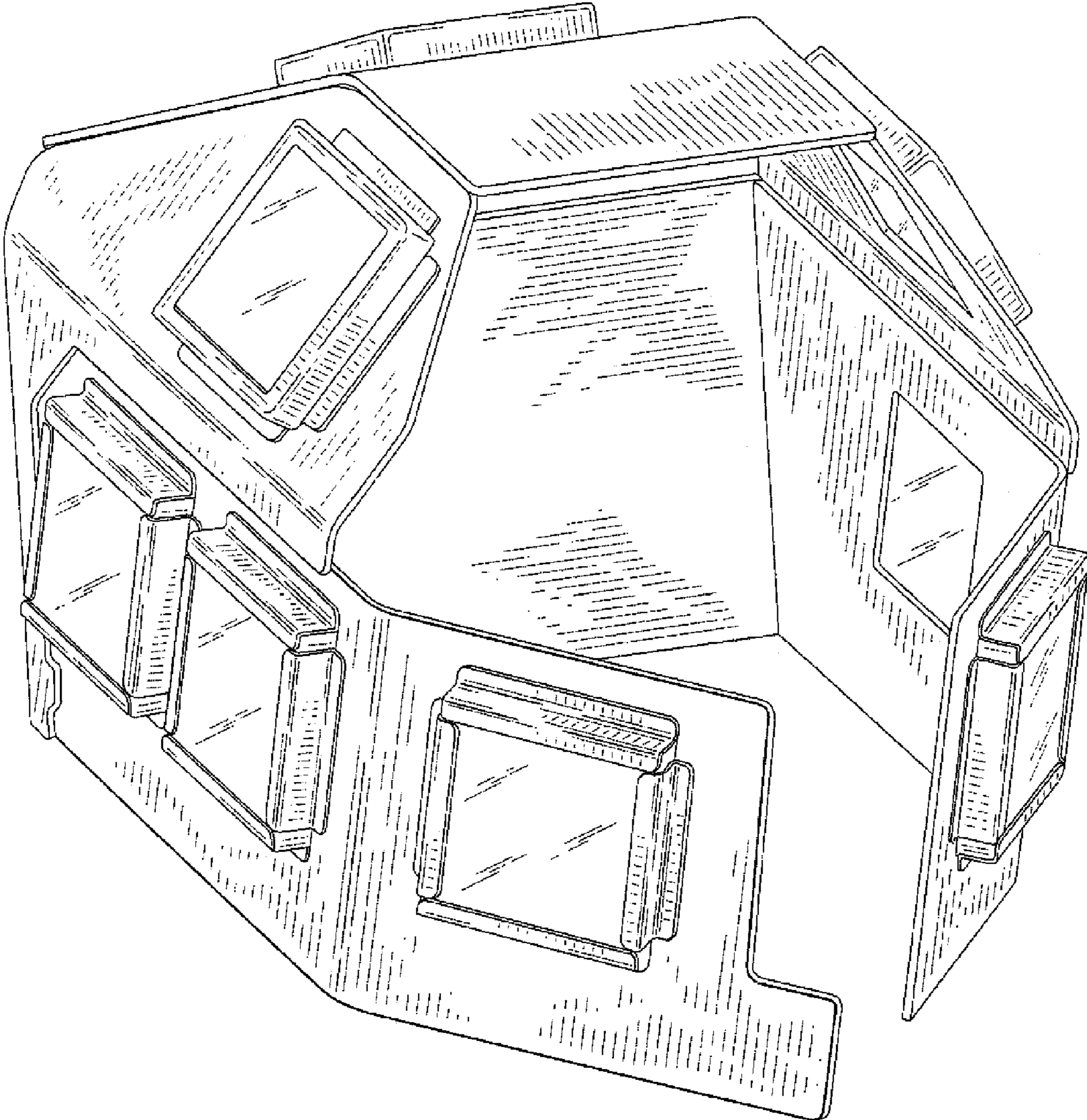


FIG. 2

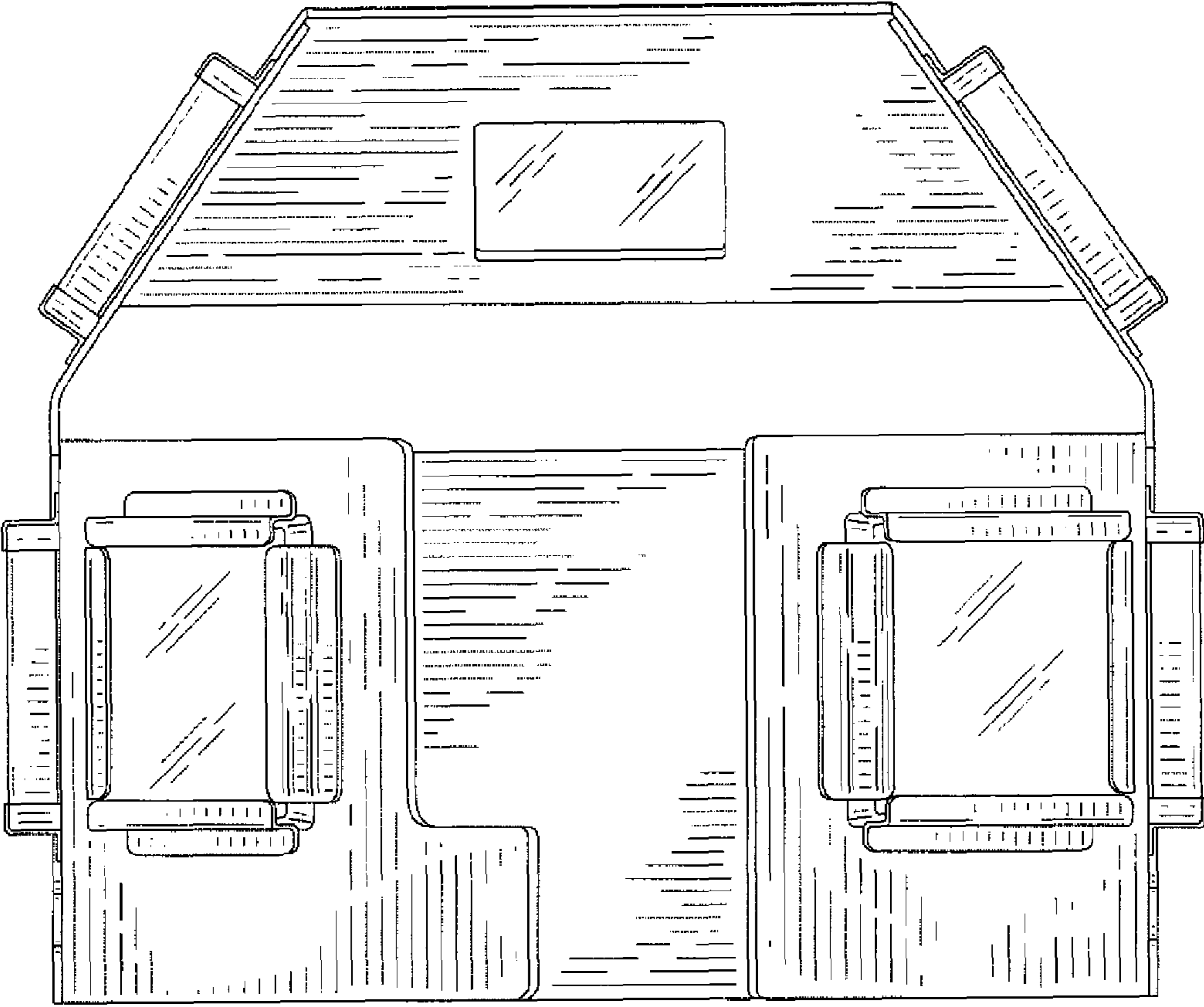


FIG. 3

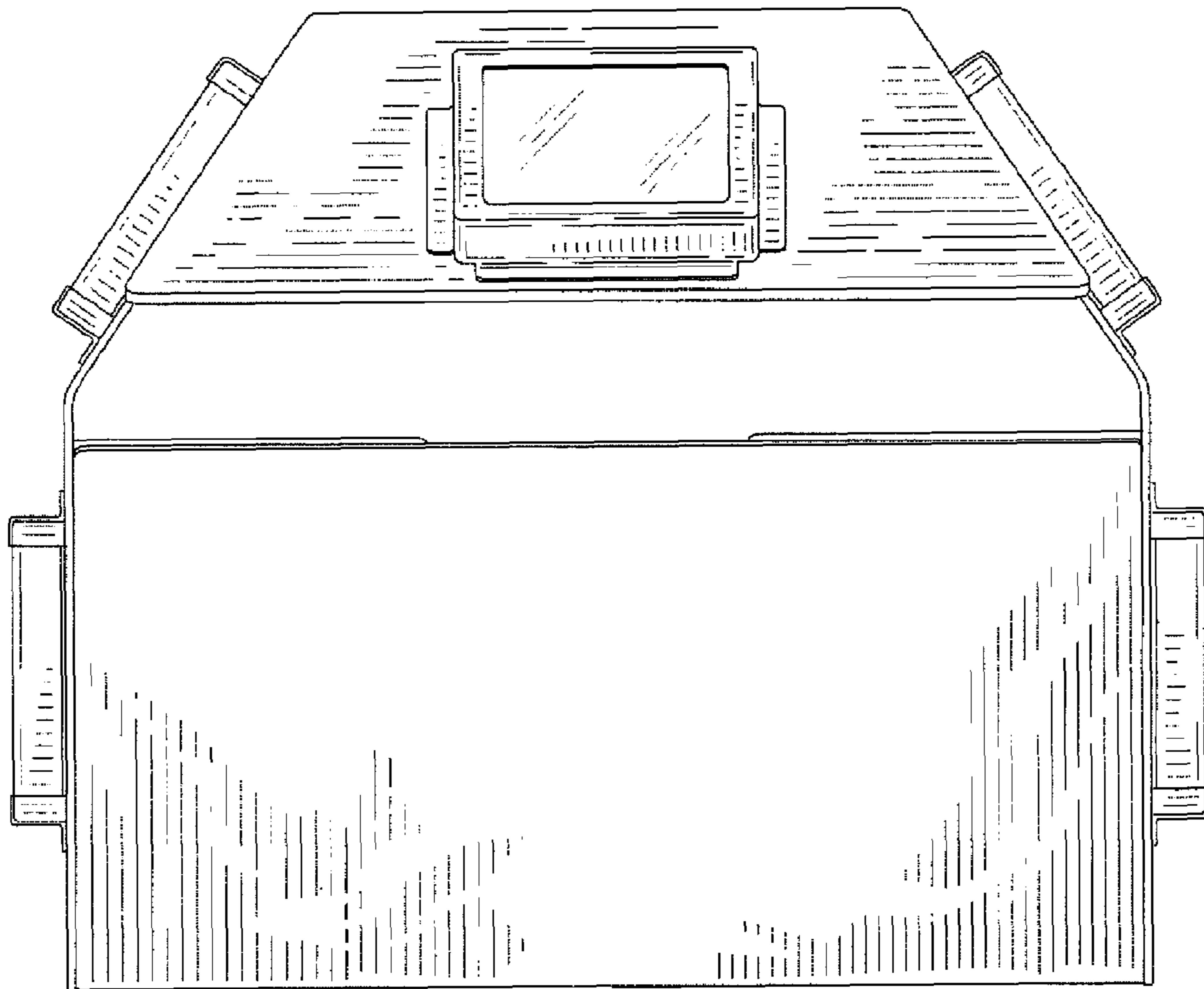


FIG. 4

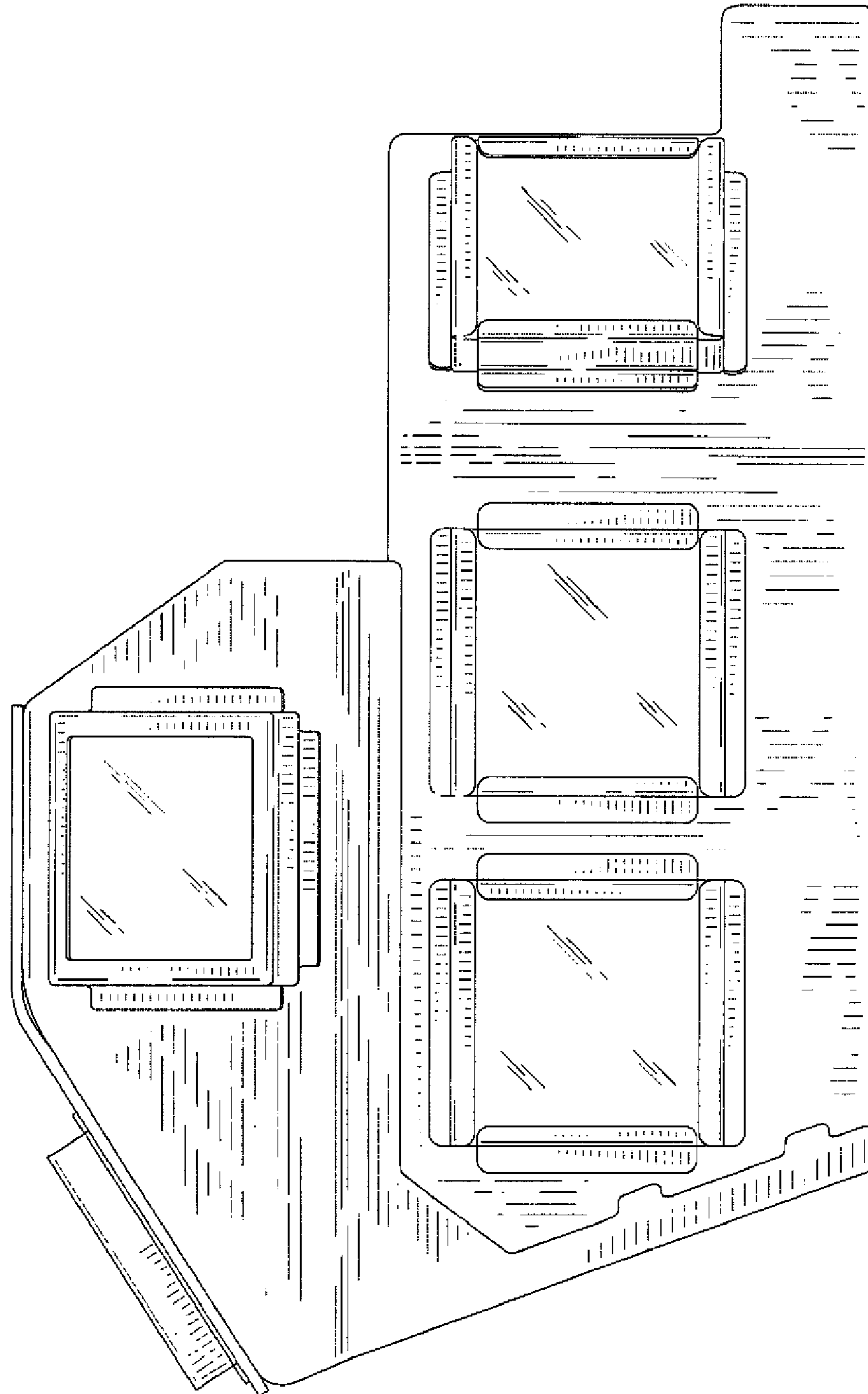


FIG. 5

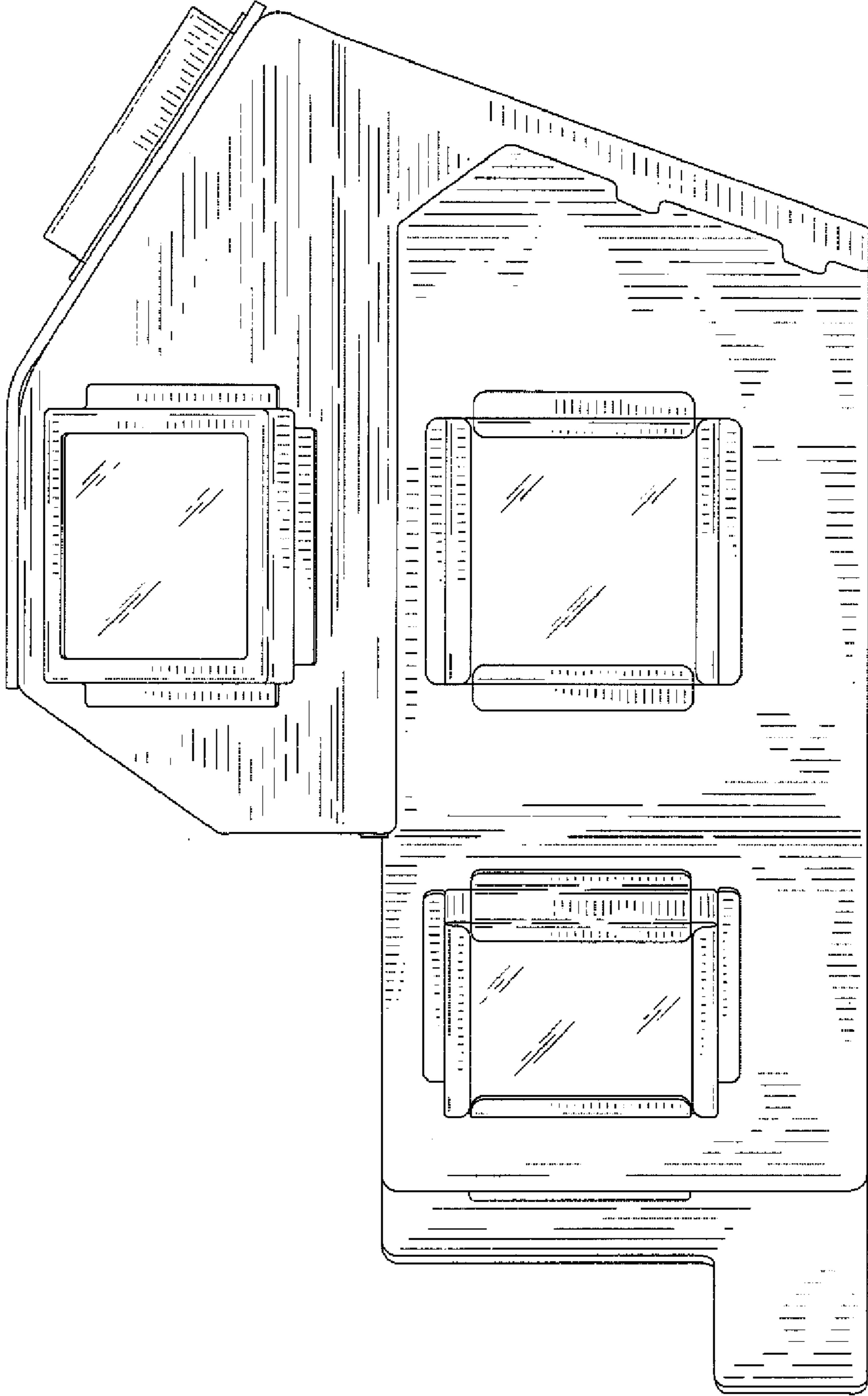


FIG. 6

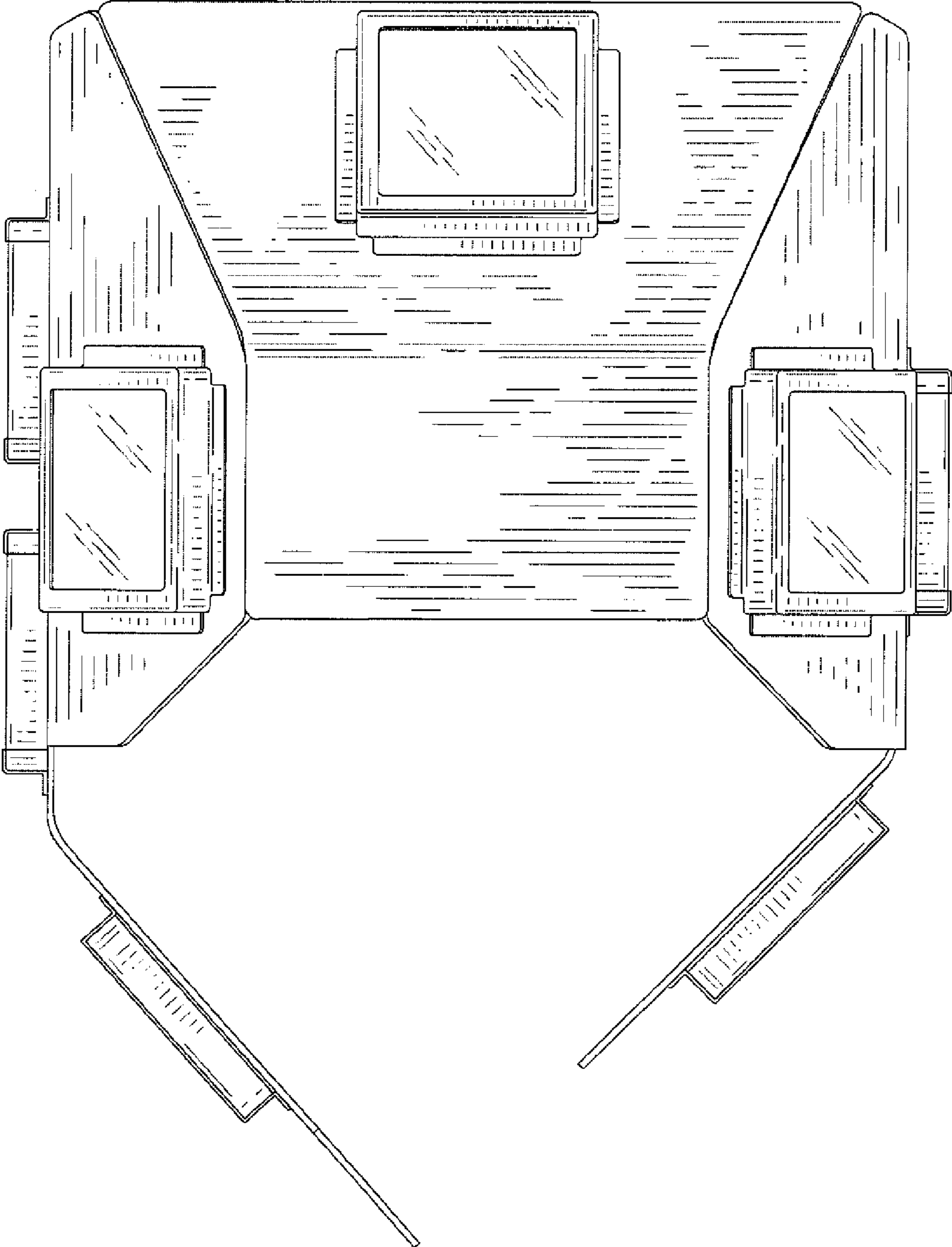


FIG. 7