



US00D619043S

(12) **United States Design Patent**
Uehara

(10) **Patent No.:** **US D619,043 S**
(45) **Date of Patent:** **** Jul. 6, 2010**

(54) **BUCKLE**
(75) Inventor: **Ryoichiro Uehara**, Kurobe (JP)
(73) Assignee: **YKK Corporation**, Tokyo (JP)
(**) Term: **14 Years**
(21) Appl. No.: **29/342,515**
(22) Filed: **Aug. 26, 2009**

(30) **Foreign Application Priority Data**
Mar. 6, 2009 (JP) 2009-004978

(51) **LOC (9) Cl.** **02-07**
(52) **U.S. Cl.** **D11/216**
(58) **Field of Classification Search** D11/1-2,
D11/200-201, 203-206, 210, 212, 214-219,
D11/222, 224, 226; 24/163 R, 169-171,
24/173, 177-179, 191, 194-195, 197, 200
See application file for complete search history.

(56) **References Cited**
U.S. PATENT DOCUMENTS
D524,694 S * 7/2006 Funo et al. D11/216

D560,551 S * 1/2008 Uehara D21/216
D576,519 S * 9/2008 Uehara D11/216
D591,642 S * 5/2009 Henderson et al. D11/216
D597,441 S * 8/2009 Uehara D11/216
7,650,676 B2 * 1/2010 Saitsu 24/615

* cited by examiner
Primary Examiner—Ralf Seifert
(74) *Attorney, Agent, or Firm*—Alston & Bird, LLP

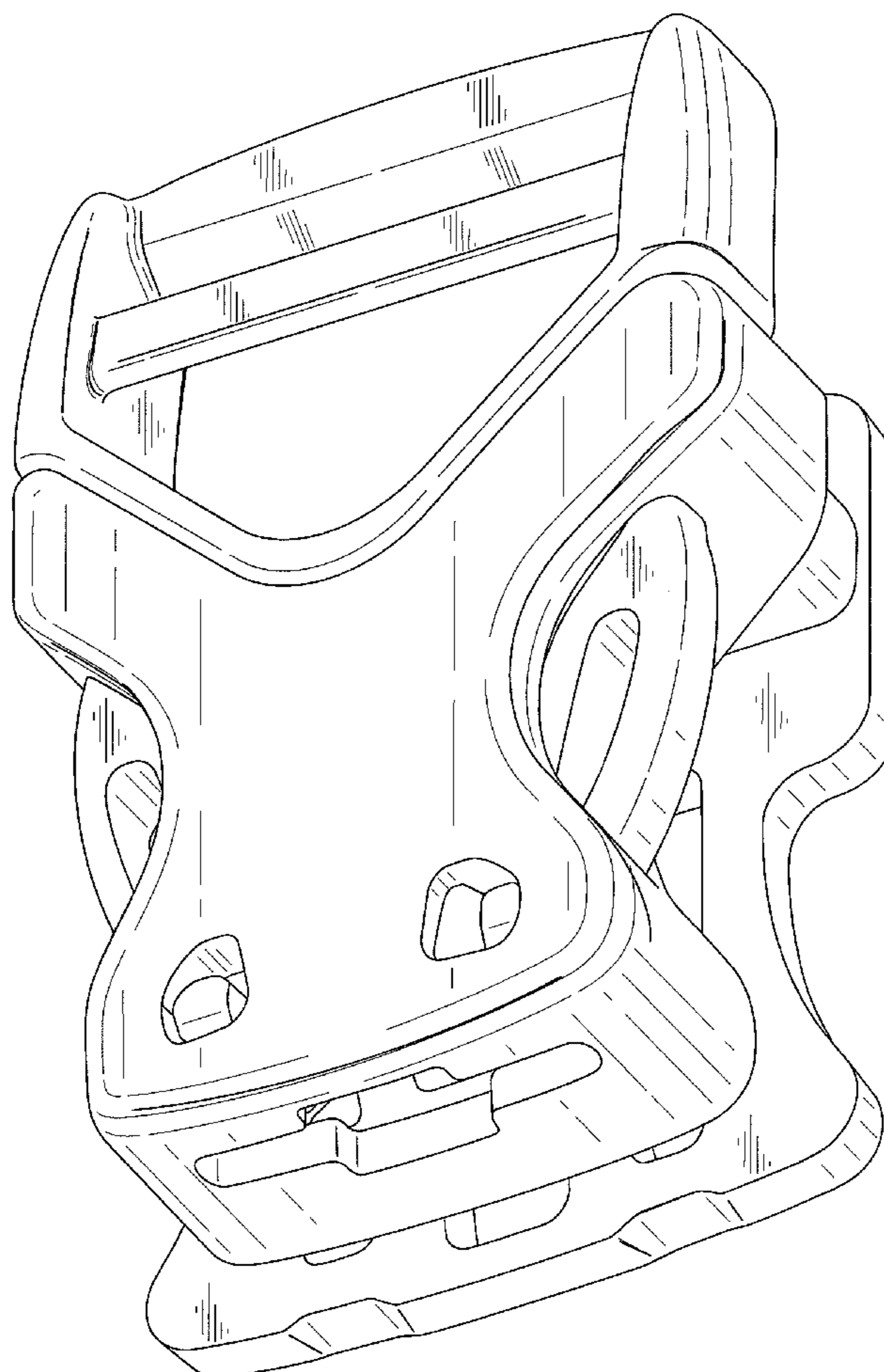
(57) **CLAIM**

The ornamental design for a buckle, as shown and described.

DESCRIPTION

FIG. 1 is a perspective view of the front, bottom and right side of a buckle showing my new design;
FIG. 2 is front view thereof;
FIG. 3 is a rear view thereof;
FIG. 4 is a right side view thereof, the left side view being mirror image thereof;
FIG. 5 is a top plan view thereof; and,
FIG. 6 is a bottom view thereof.

1 Claim, 5 Drawing Sheets



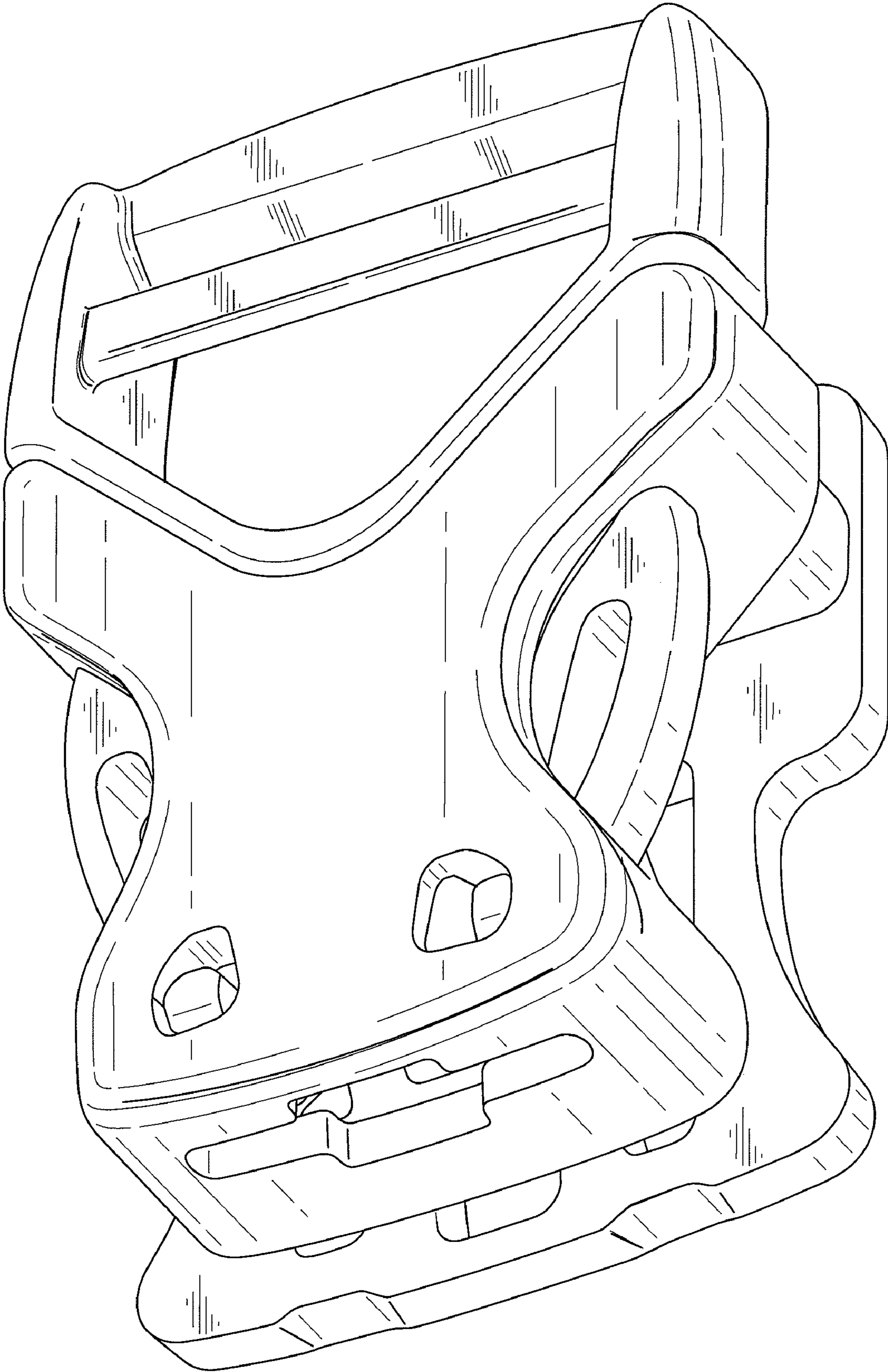


FIG. 1

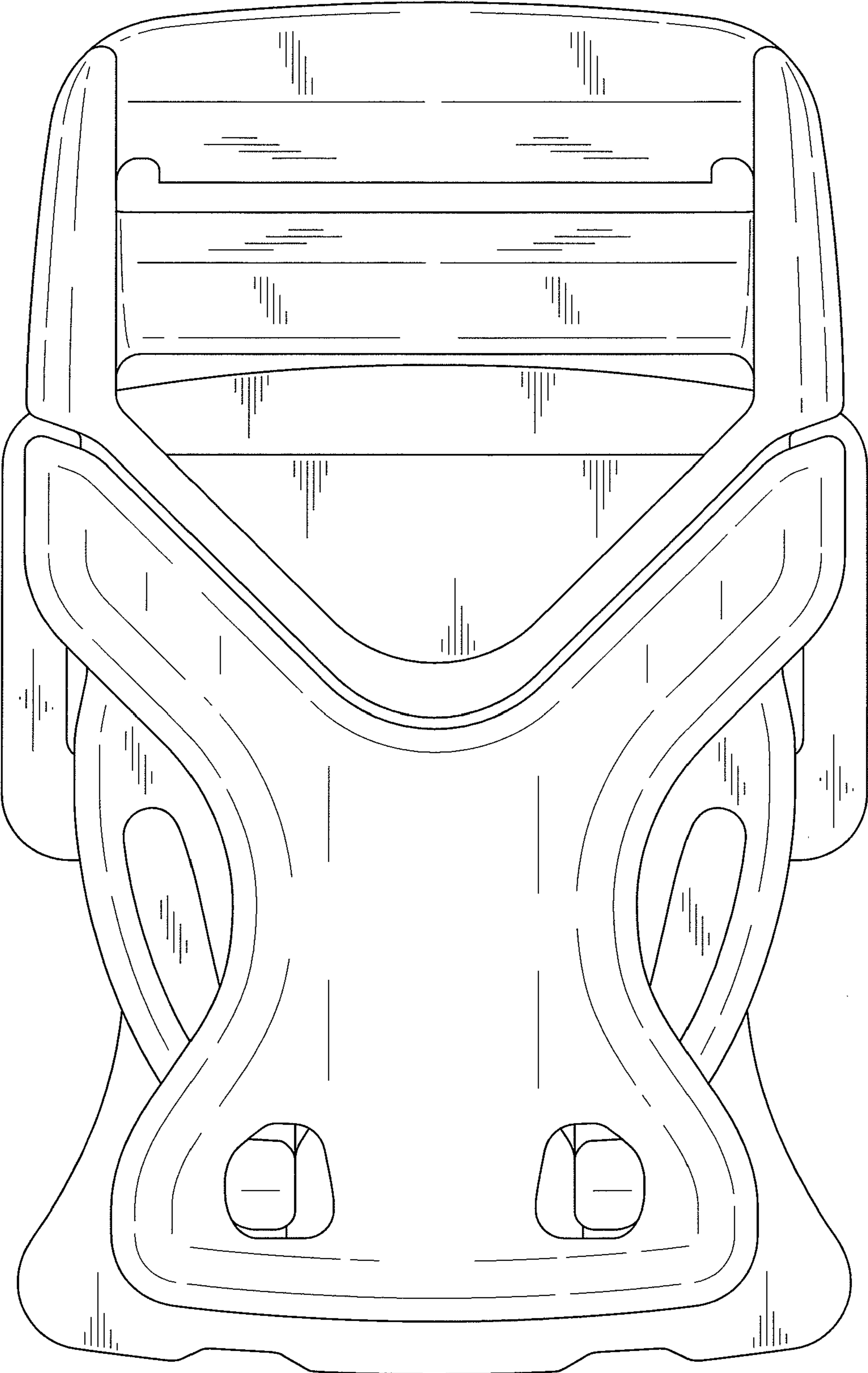


FIG. 2

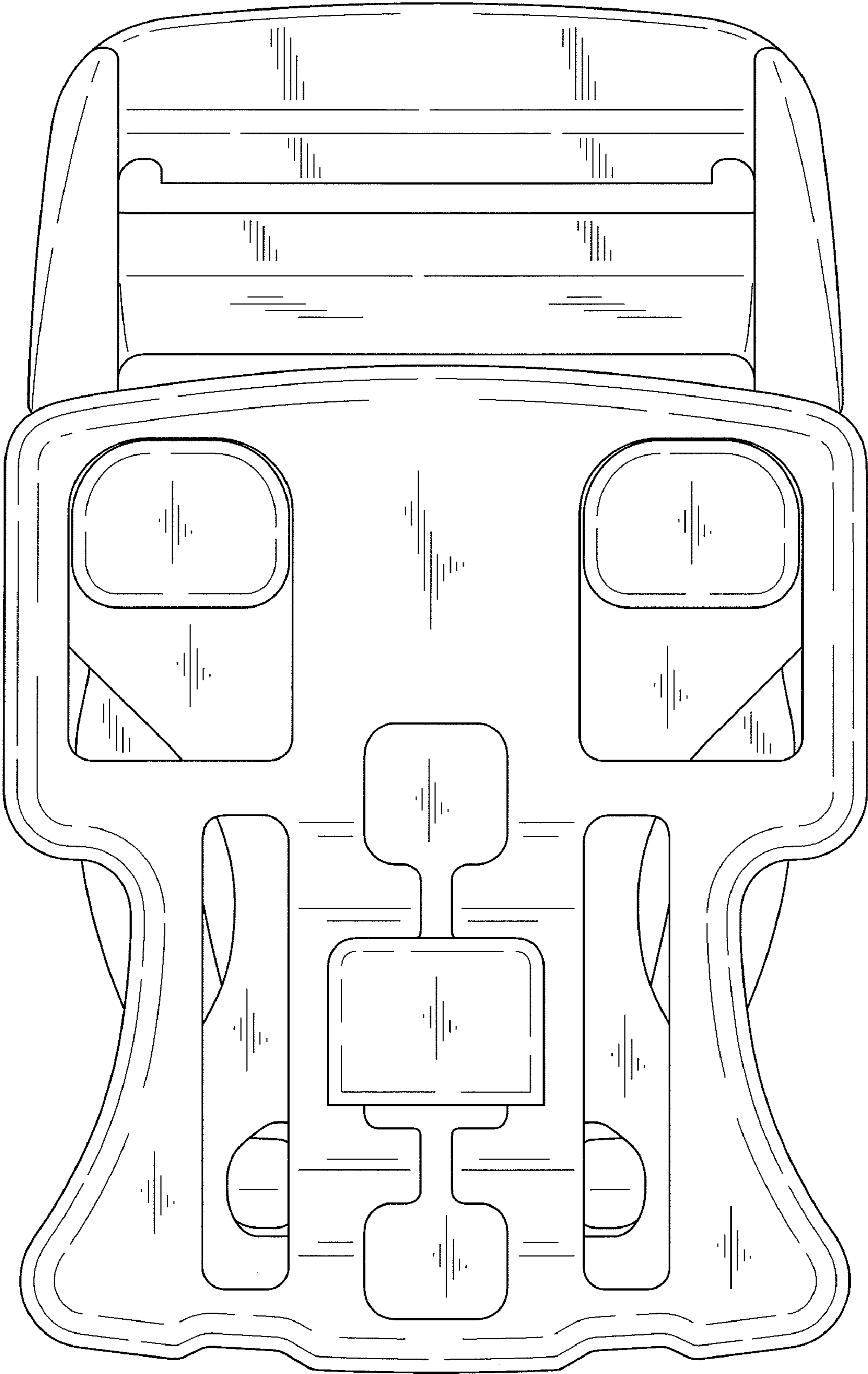


FIG. 3

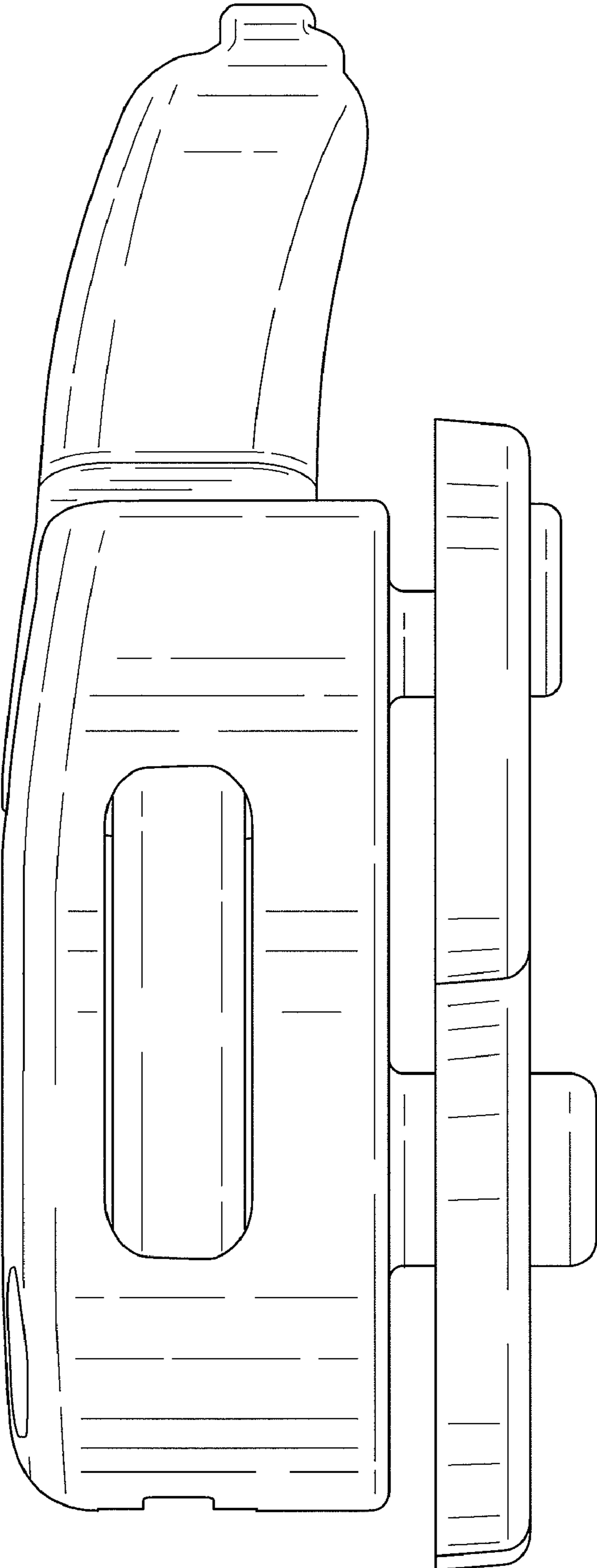


FIG. 4

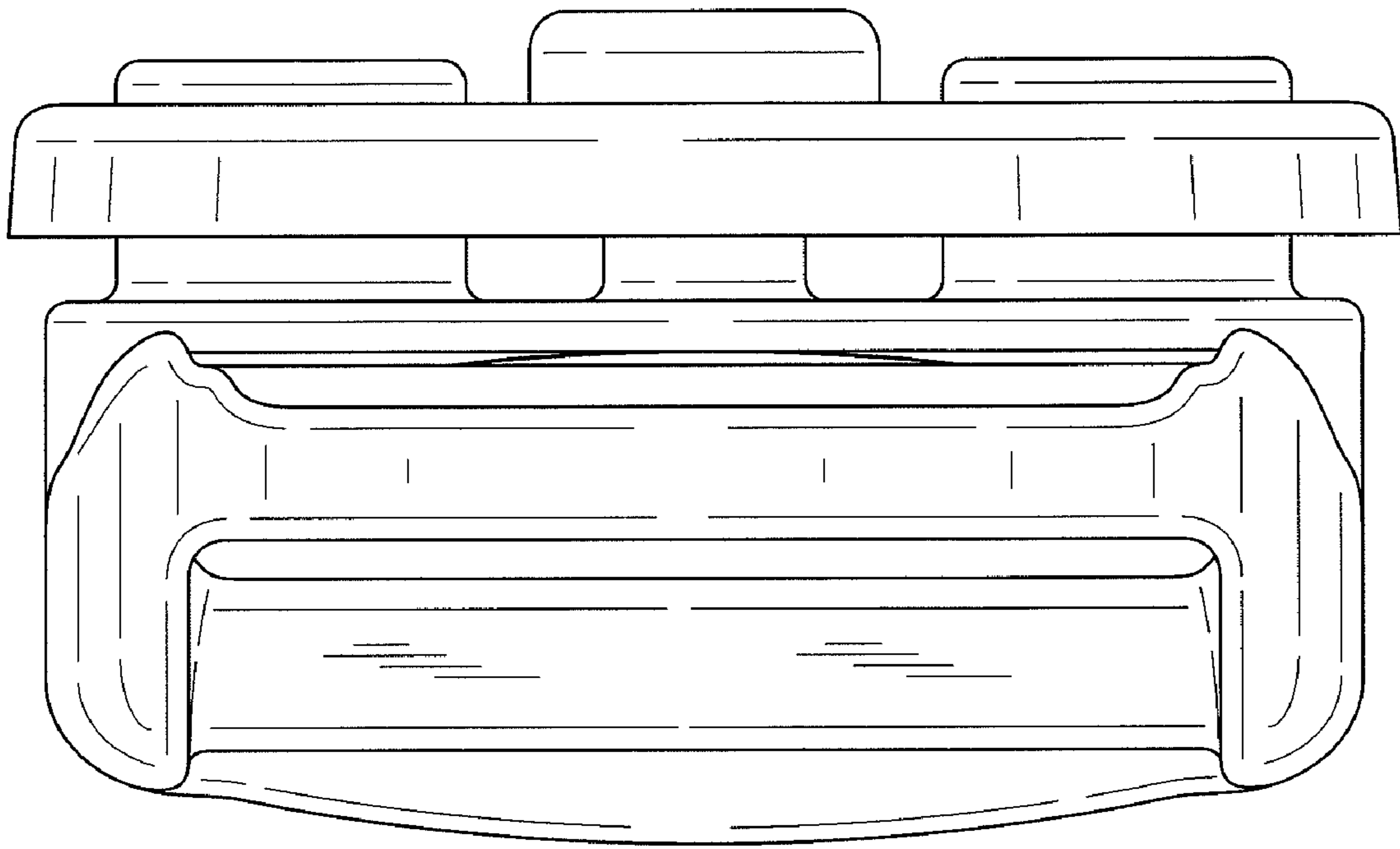


FIG. 5

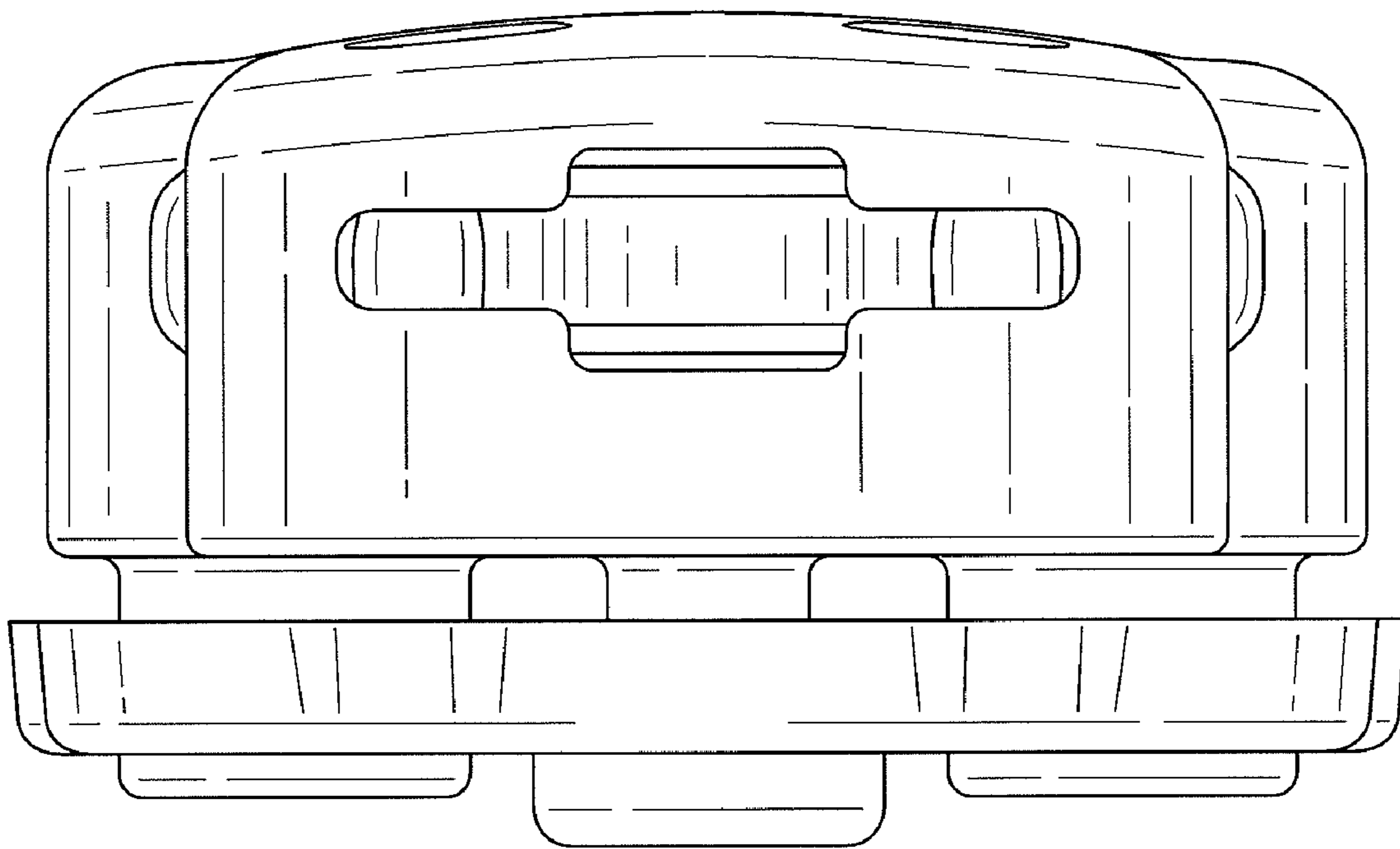


FIG. 6