



US00D619023S

(12) **United States Design Patent**  
**Brooking et al.**

(10) **Patent No.:** **US D619,023 S**

(45) **Date of Patent:** **\*\* Jul. 6, 2010**

(54) **MOISTURE DETECTION DEVICE**

(75) Inventors: **Michael J. Brooking**, Dong Guan (CN);  
**Christopher W. Barney**, Sandy, UT  
(US)

(73) Assignee: **Gizmode, LLC**, Sandy, UT (US)

(\*\*) Term: **14 Years**

(21) Appl. No.: **29/351,370**

(22) Filed: **Dec. 4, 2009**

(51) **LOC (9) Cl.** ..... **10-04**

(52) **U.S. Cl.** ..... **D10/56**

(58) **Field of Classification Search** ..... D10/56;  
73/40, 116; 340/602, 603, 604, 605, 618,  
340/620; 361/93.6

See application file for complete search history.

(56) **References Cited**

**U.S. PATENT DOCUMENTS**

D261,243 S	10/1981	Mintz	
D261,998 S	11/1981	Munz	
D476,586 S	7/2003	Nash	
6,690,281 B2	2/2004	Palmer	
6,873,263 B1 *	3/2005	Hohman	340/602
6,972,395 B2 *	12/2005	Jones	340/602

**OTHER PUBLICATIONS**

The Water Alarm, <http://www.thewateralarm.com/wateralarm/pc/The-Water-Alarm-c2.htm>.

Water Alarm, <http://www.amazon.com/Water-Alarm-Detects-Leaks-Saves/dp/B000JOK11K>.

General Tools WA500 Water Leak Alarm, [http://www.amazon.com/General-Tools-WA500-Water-Leak-Alarm/dp/B001CEIFNW/ref=pd\\_sbs\\_k\\_4](http://www.amazon.com/General-Tools-WA500-Water-Leak-Alarm/dp/B001CEIFNW/ref=pd_sbs_k_4).

\* cited by examiner

*Primary Examiner*—Antoine D Davis

(74) *Attorney, Agent, or Firm*—Warren M. Pate, LLC

(57) **CLAIM**

The ornamental design for a moisture detection device, as shown and described.

**DESCRIPTION**

FIG. 1 is a top plan view of a moisture detection device in accordance with our new design;

FIG. 2 is a bottom plan view of the design of FIG. 1;

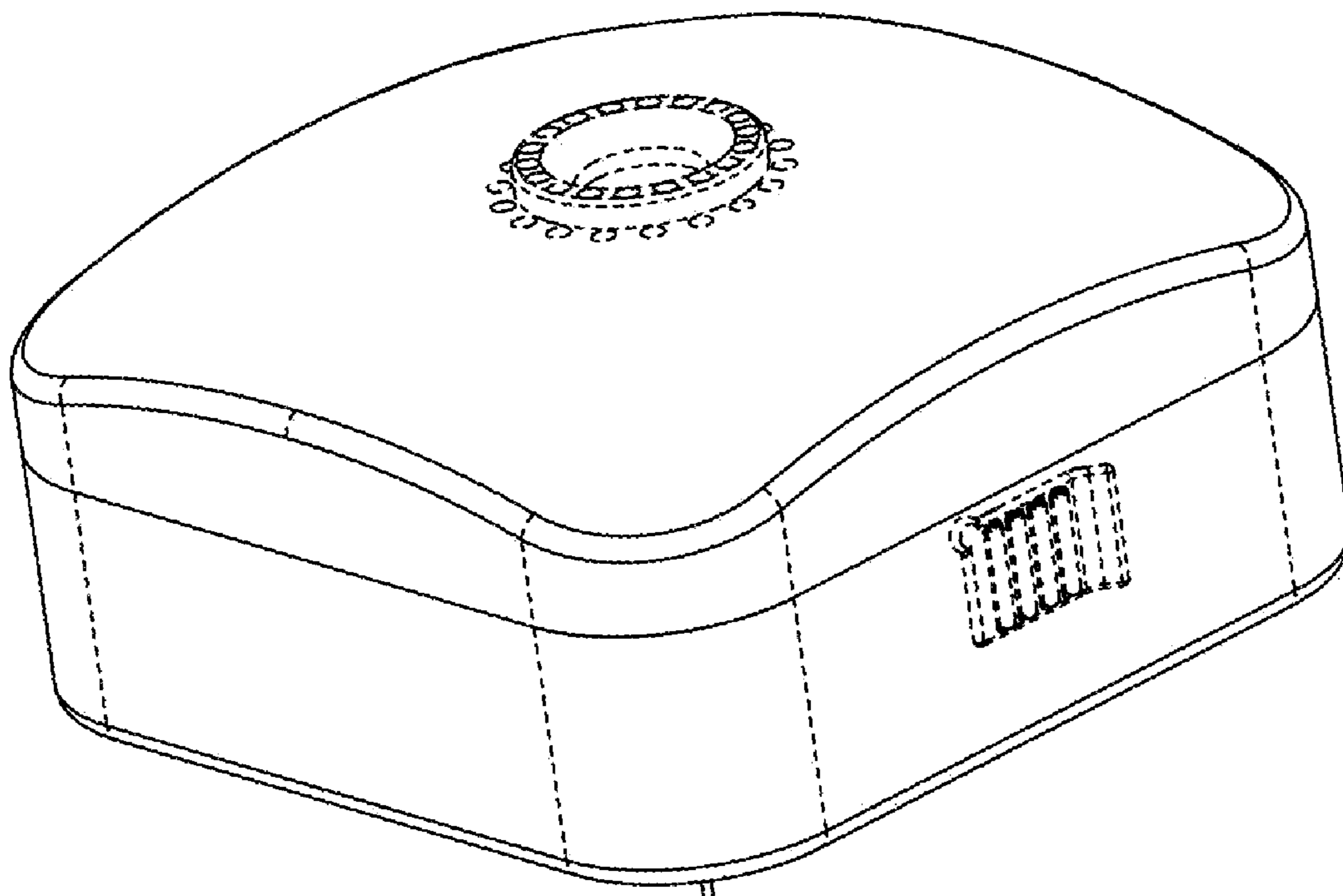
FIG. 3 is a front elevation view of the design of FIG. 1, which is identical to the to the back elevation view of the design of FIG. 1;

FIG. 4 is a side elevation view of the design of FIG. 1, which is identical to the to the opposite side elevation view of the design of FIG. 1; and,

FIG. 5 is a perspective view of the design of FIG. 1.

The broken line showing of structural features is included for the purpose of illustrating non-claimed subject matter and forms no part of the claimed design.

**1 Claim, 3 Drawing Sheets**



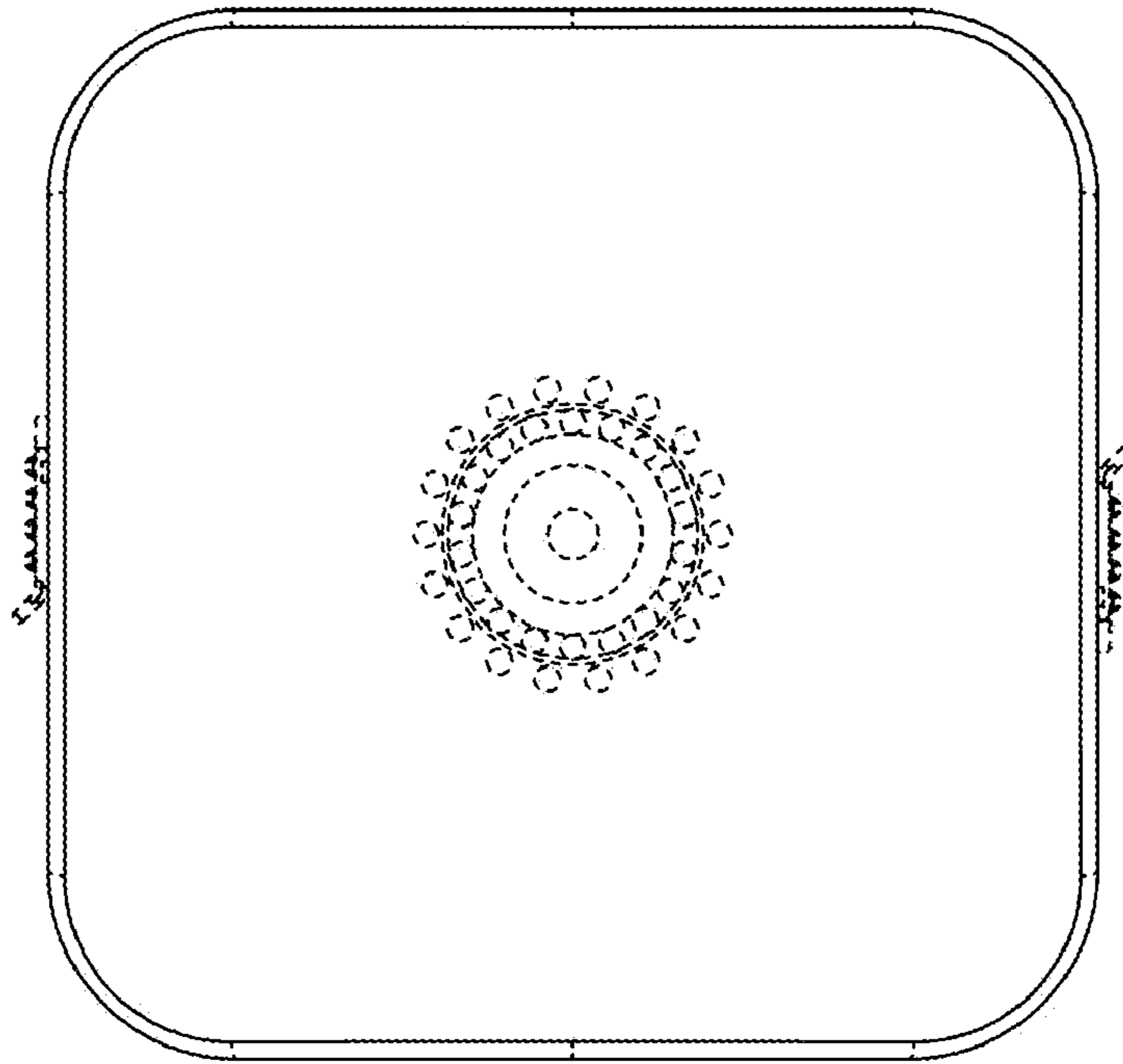


FIG.1

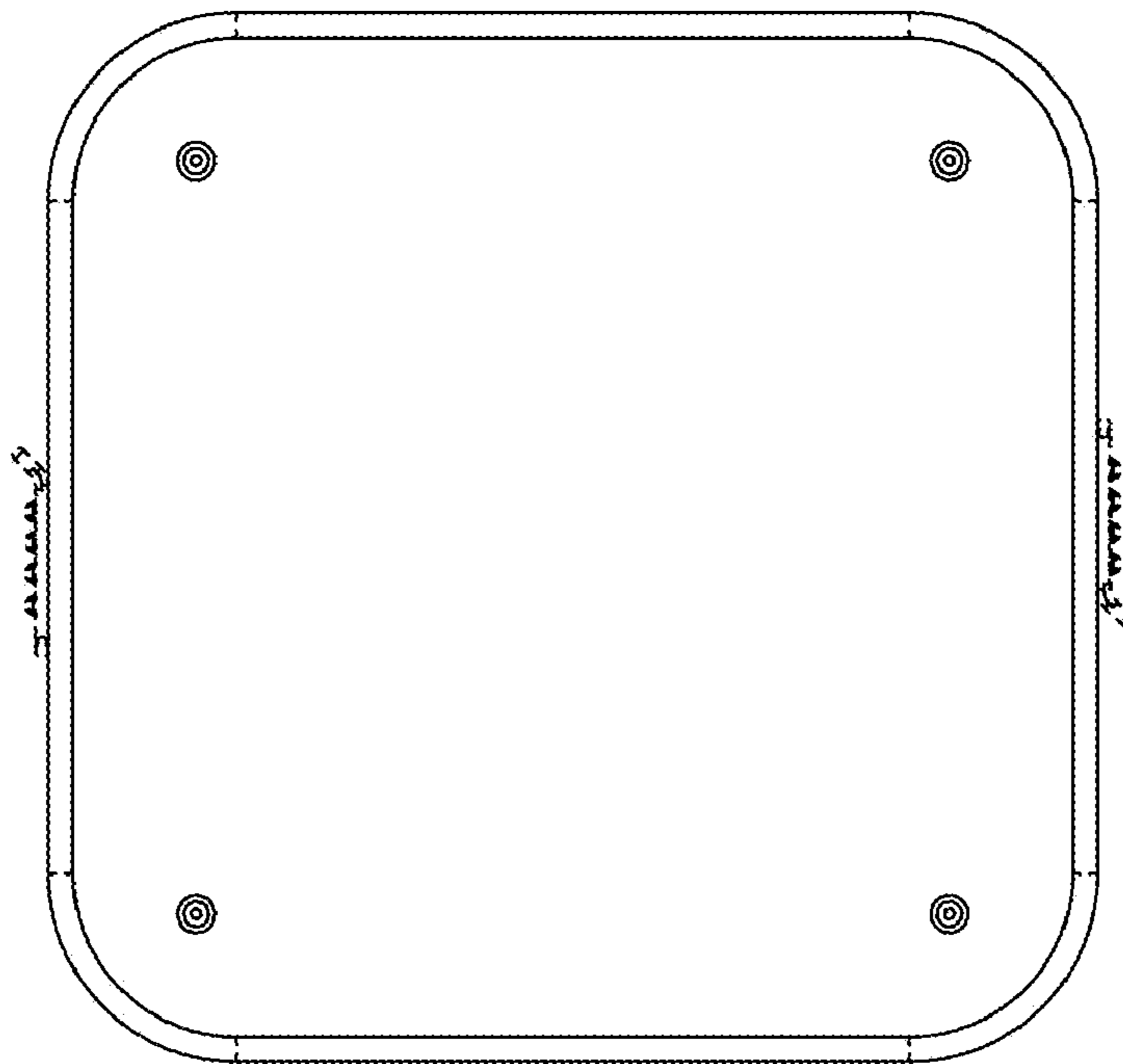


FIG.2

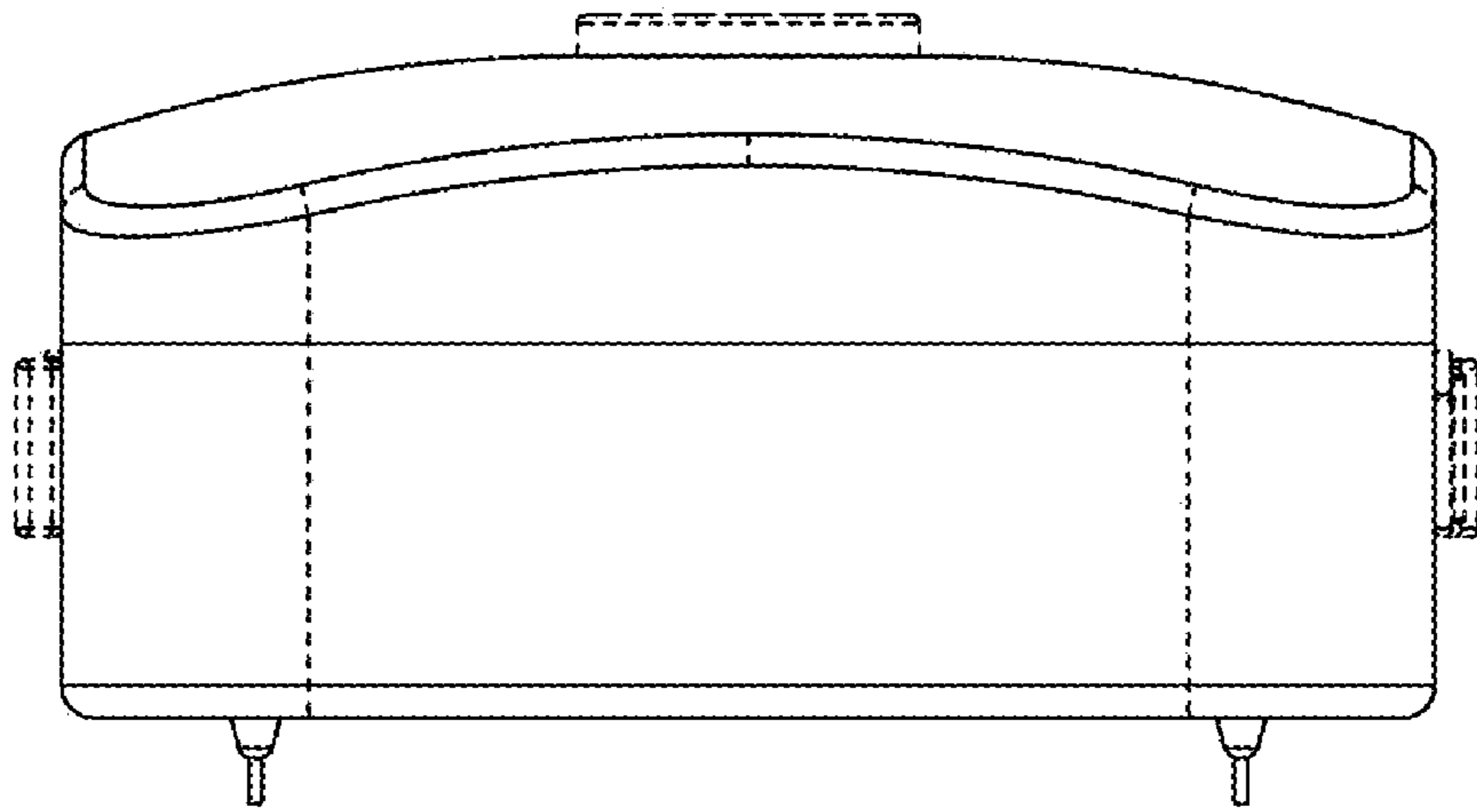


FIG.3

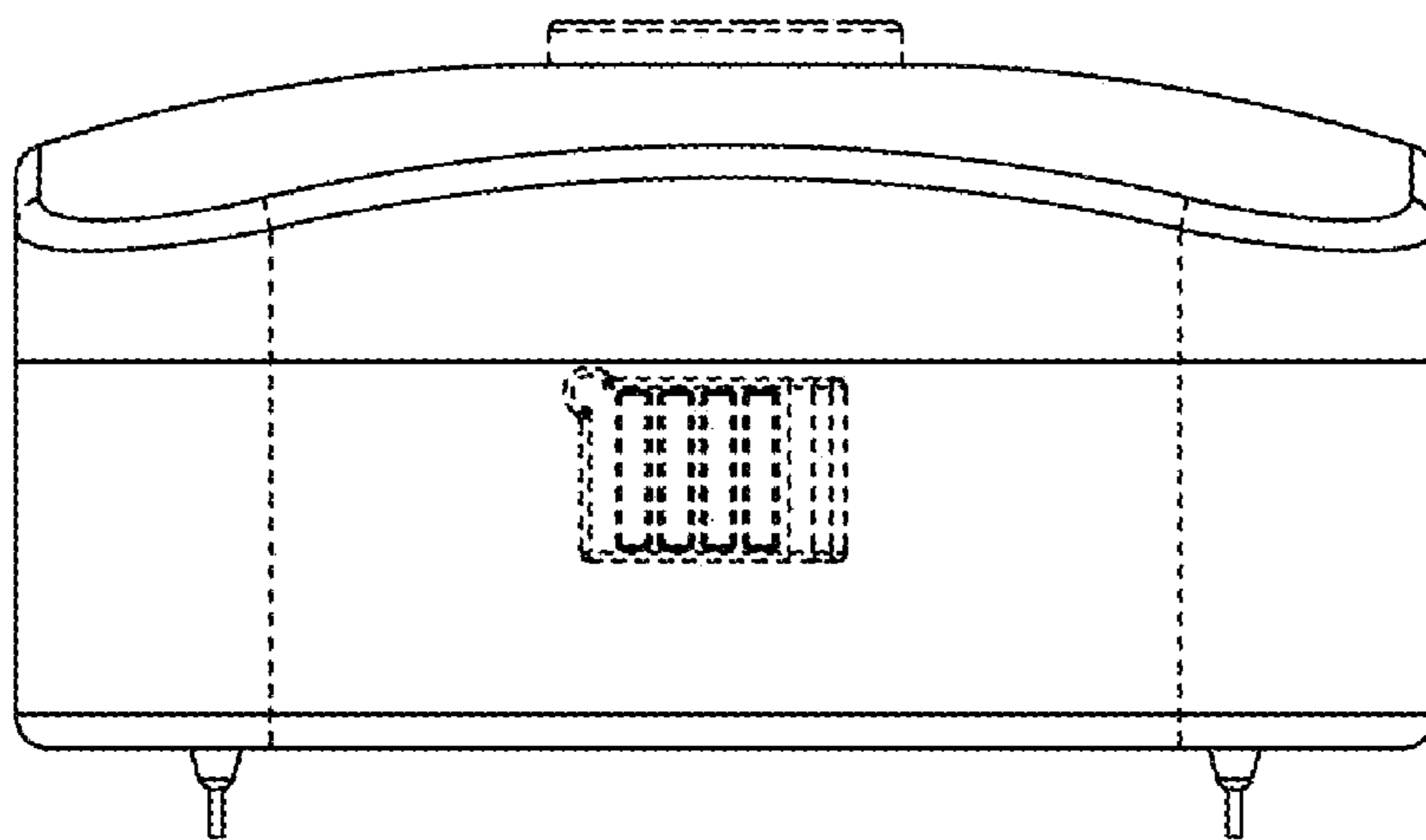


FIG.4

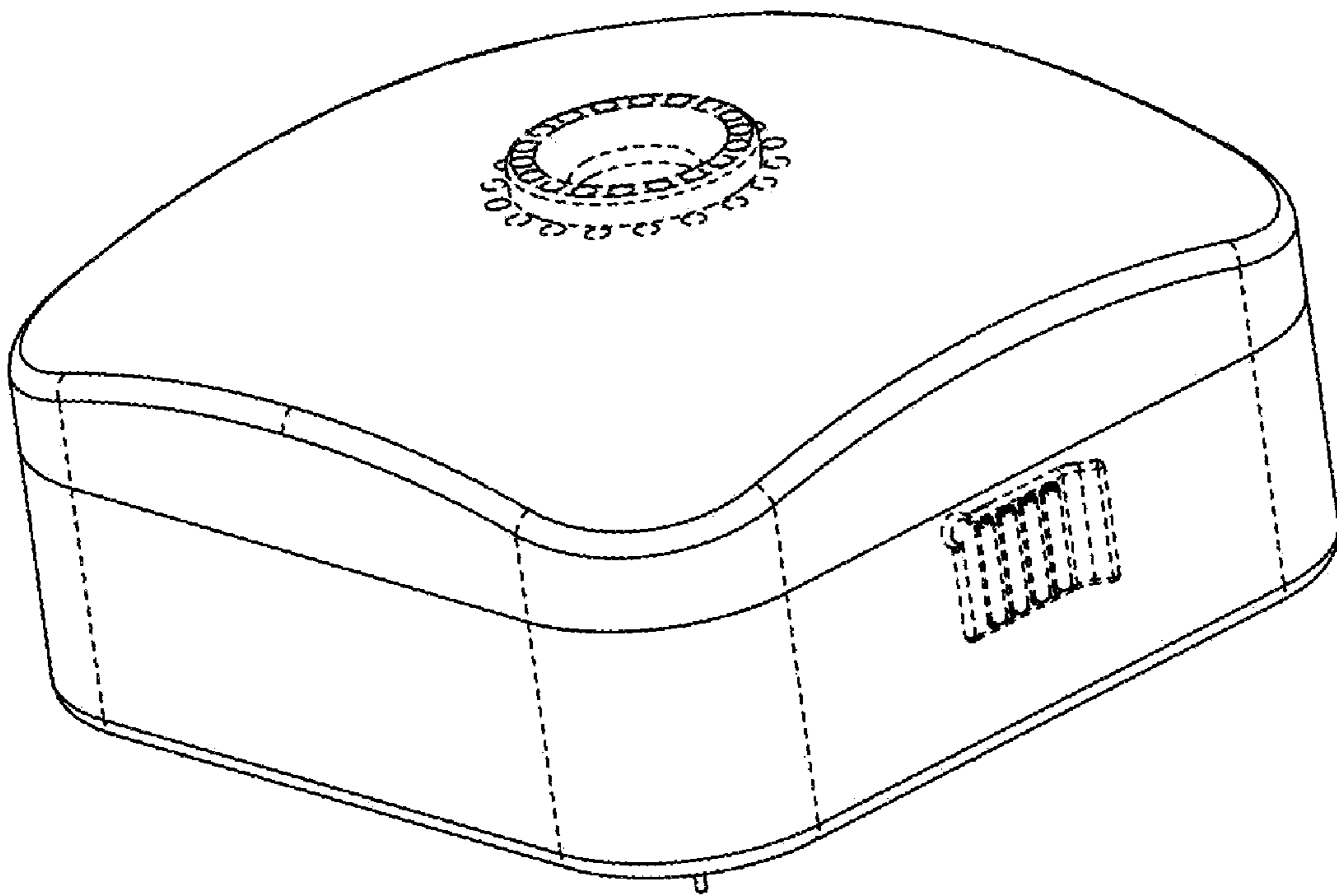


FIG.5