



US00D619010S

(12) **United States Design Patent**
Wasson et al.

(10) **Patent No.:** **US D619,010 S**
(45) **Date of Patent:** **** Jul. 6, 2010**

(54) **BOTTLE**

(75) Inventors: **Wesley Wasson**, Cumming, GA (US);
David Heisner, York, PA (US); **Anthony J. Schlies**, York, PA (US); **Justin Howell**, New Cumberland, PA (US)

(73) Assignee: **The Coca-Cola Company**, Atlanta, GA (US)

(**) Term: **14 Years**

(21) Appl. No.: **29/319,655**

(22) Filed: **Jun. 12, 2008**

(51) **LOC (9) Cl.** **09-01**

(52) **U.S. Cl.** **D9/538; D9/552; D9/556; D9/557; D9/571**

(58) **Field of Classification Search** D9/500, D9/516, 519, 529-530, 537-543, 549, 550-551, D9/553, 556-558, 571, 682-694; 215/381-385
See application file for complete search history.

(56) **References Cited**

U.S. PATENT DOCUMENTS

D331,017 S	11/1992	Chan	
5,713,681 A *	2/1998	Venne et al.	401/202
D395,396 S *	6/1998	Kuzma et al.	D9/542
D399,429 S	10/1998	Ramsey	
D405,698 S	2/1999	Lykken et al.	
D428,815 S *	8/2000	Mooney et al.	D9/557 X
D429,164 S	8/2000	Peek et al.	
D472,815 S	4/2003	Zhang et al.	
D486,739 S *	2/2004	Taylor et al.	D9/530
6,838,138 B1 *	1/2005	Akiyama et al.	428/35.7
7,014,056 B2	3/2006	Trude	
D522,870 S	6/2006	Venkataraman et al.	

D523,753 S *	6/2006	Corker et al.	D9/538
7,080,747 B2	7/2006	Lane et al.	
D531,913 S *	11/2006	Heisner et al.	D9/571 X
D532,312 S	11/2006	Conway et al.	
D533,068 S *	12/2006	Haley et al.	D9/538
D542,666 S	5/2007	Trude	
D547,195 S *	7/2007	Yourist et al.	D9/539
D548,086 S	8/2007	Conway et al.	
D561,035 S *	2/2008	Leslie et al.	D9/552 X
D565,416 S	4/2008	Lepoitevin	
D570,702 S	6/2008	Adamson et al.	
D573,476 S *	7/2008	Hopkins	D9/538
D607,743 S *	1/2010	Eble	D9/571 X

* cited by examiner

Primary Examiner—Carol Rademaker

(74) *Attorney, Agent, or Firm*—Michael J. Kline

(57) **CLAIM**

We claim the ornamental design for a bottle, as shown and described.

DESCRIPTION

FIG. 1 is a front right perspective view of a bottle showing our new design;

FIG. 2 is a left side elevational view thereof;

FIG. 3 is front elevational view thereof;

FIG. 4 is right side front elevational view thereof;

FIG. 5 is back elevational view thereof, the left side elevational view being identical;

FIG. 6 is a top plan view thereof; and,

FIG. 7 is a bottom plan view thereof.

The broken lines in the drawings are for illustrative purposes only and form no part of the claimed design.

1 Claim, 4 Drawing Sheets

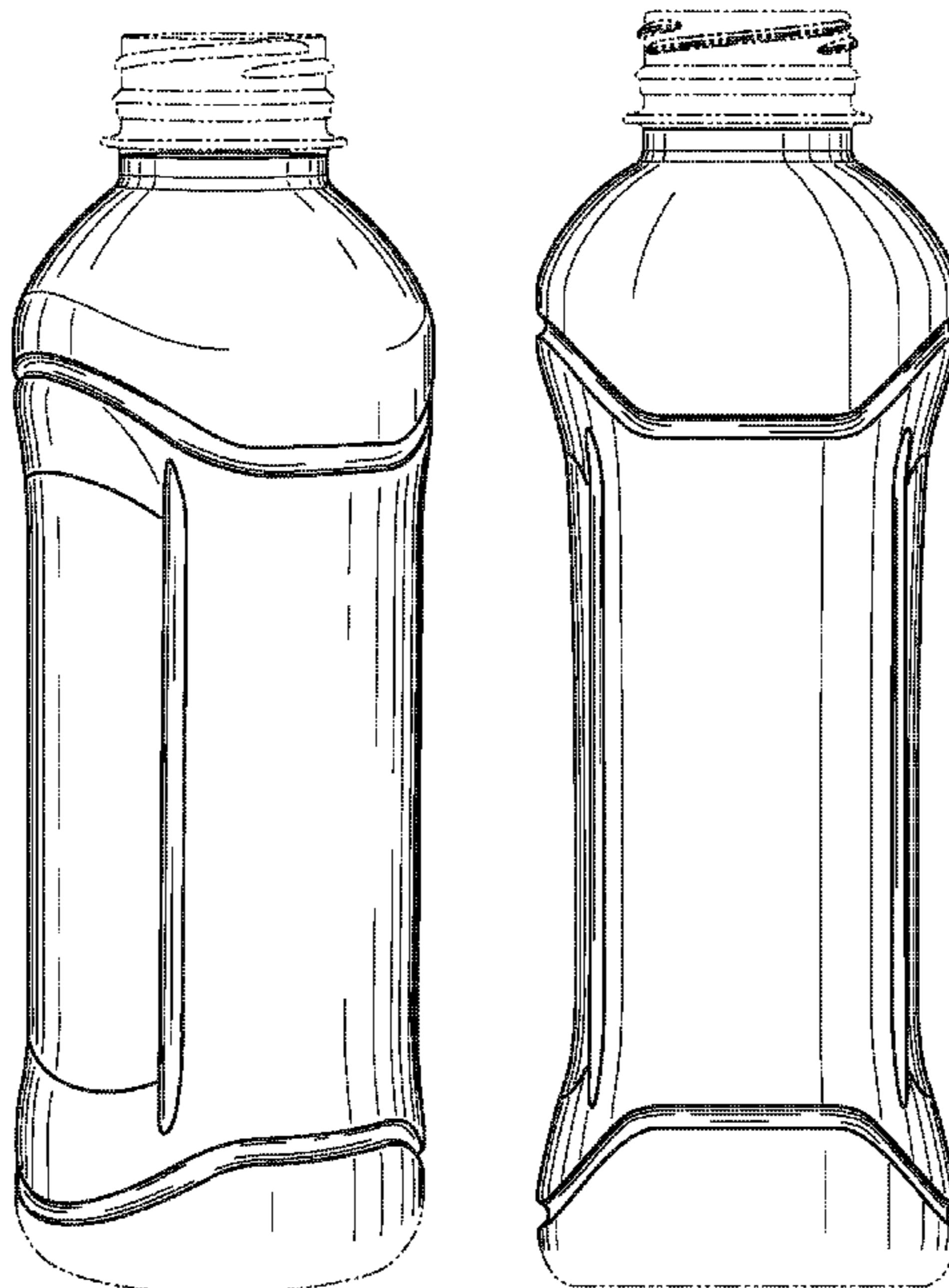
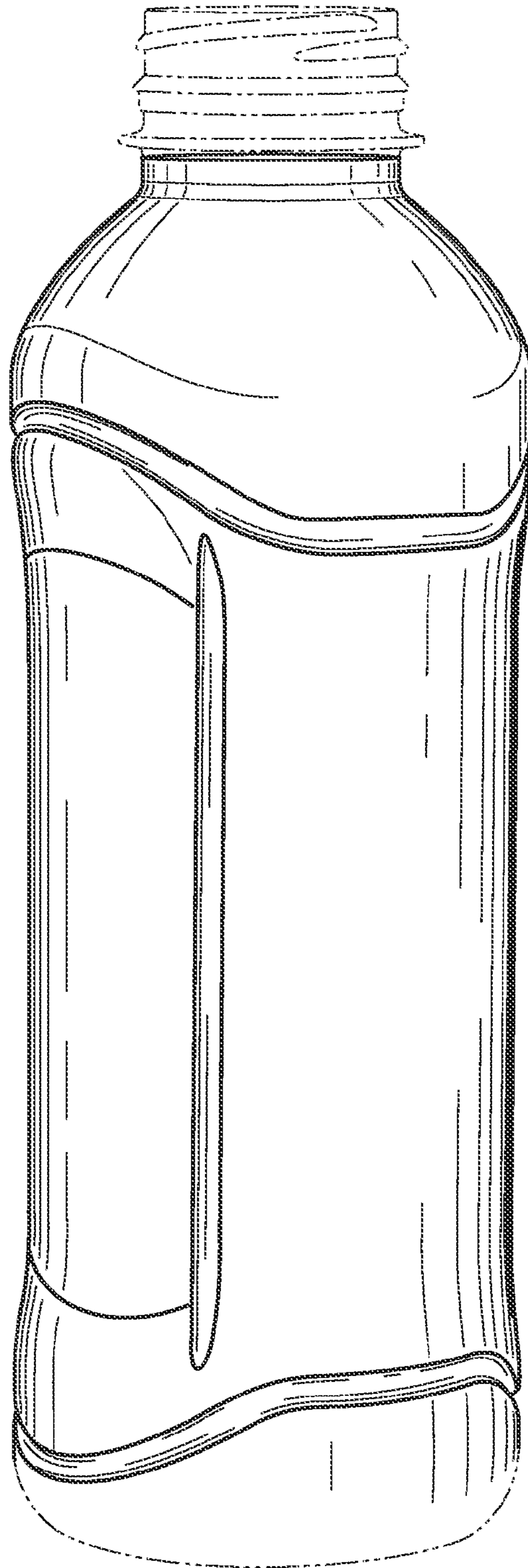


Fig. 1



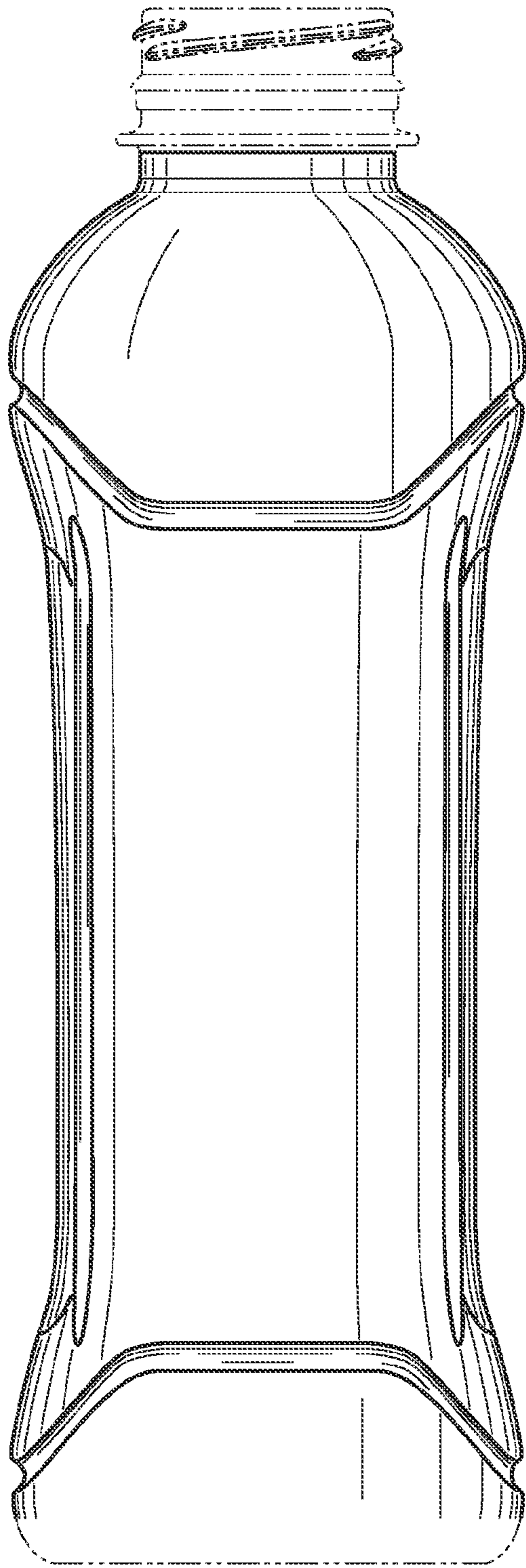


Fig. 2

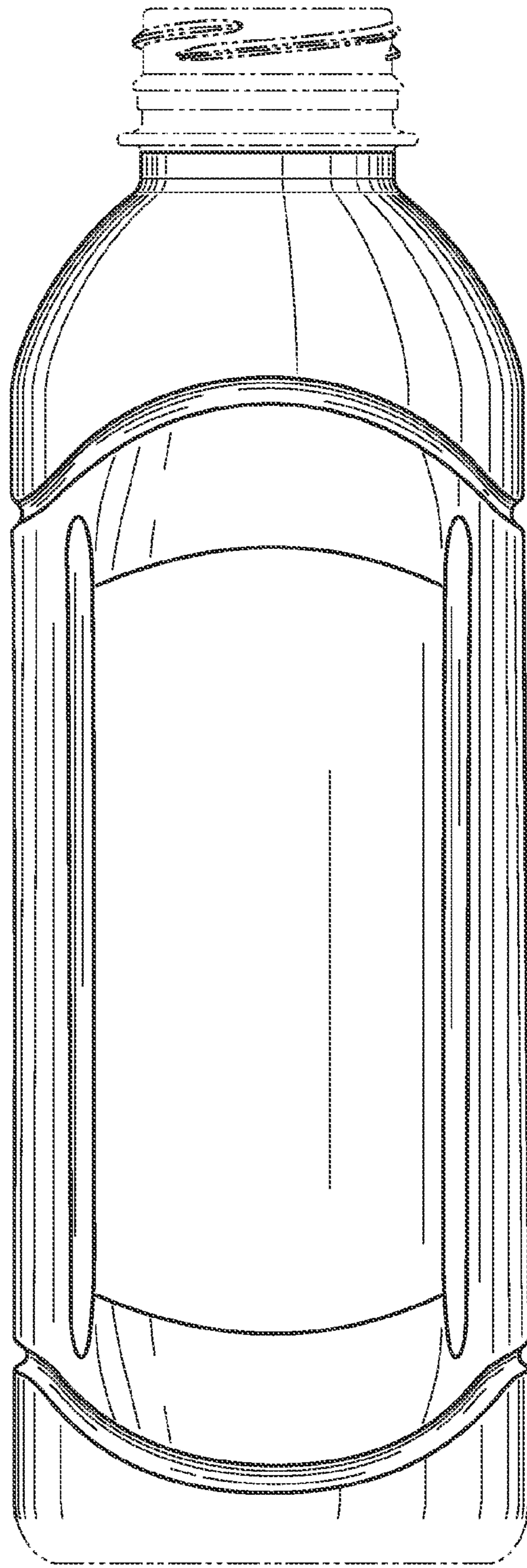


Fig. 3

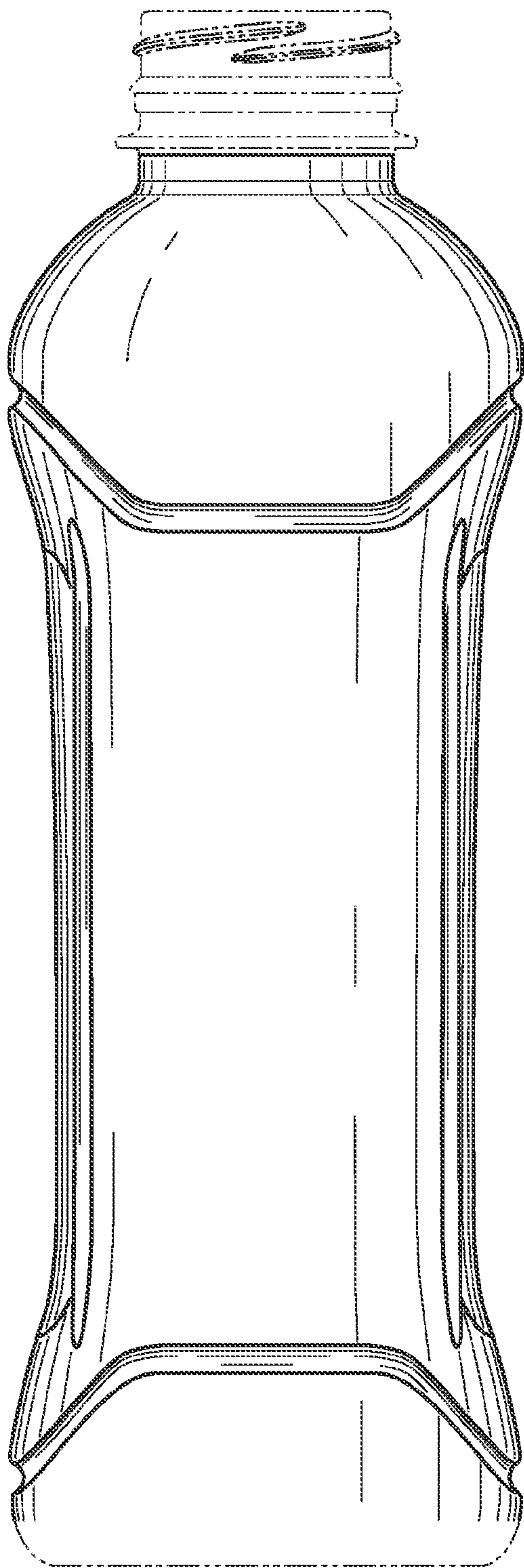


Fig. 4

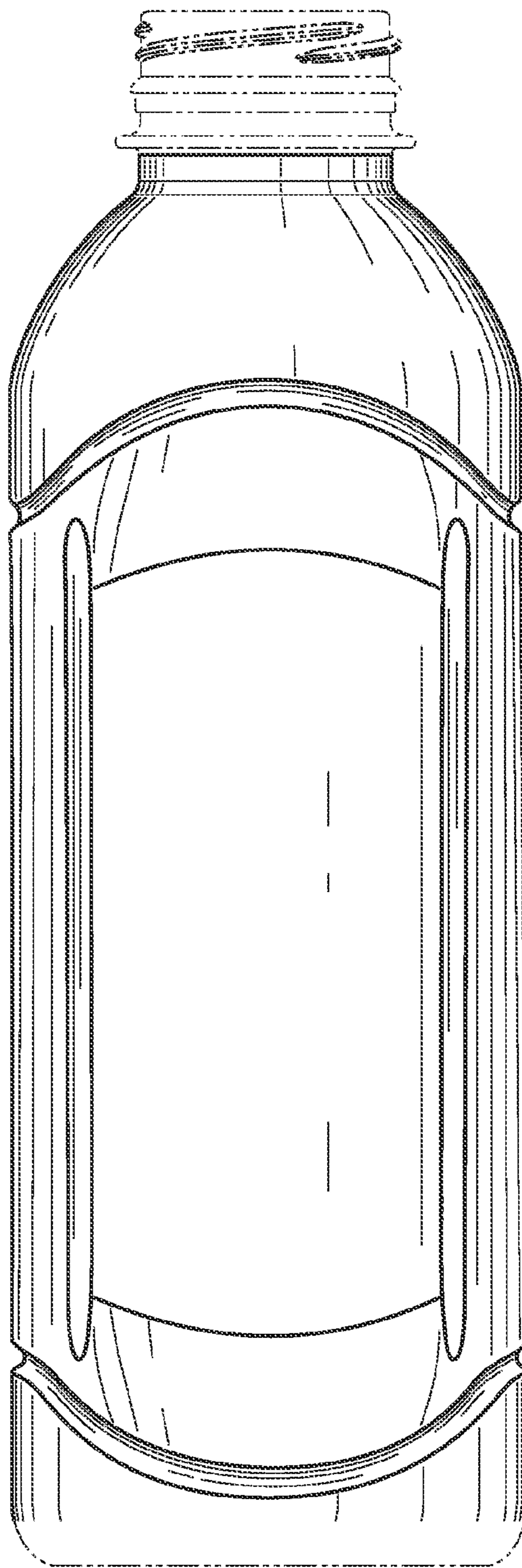


Fig. 5

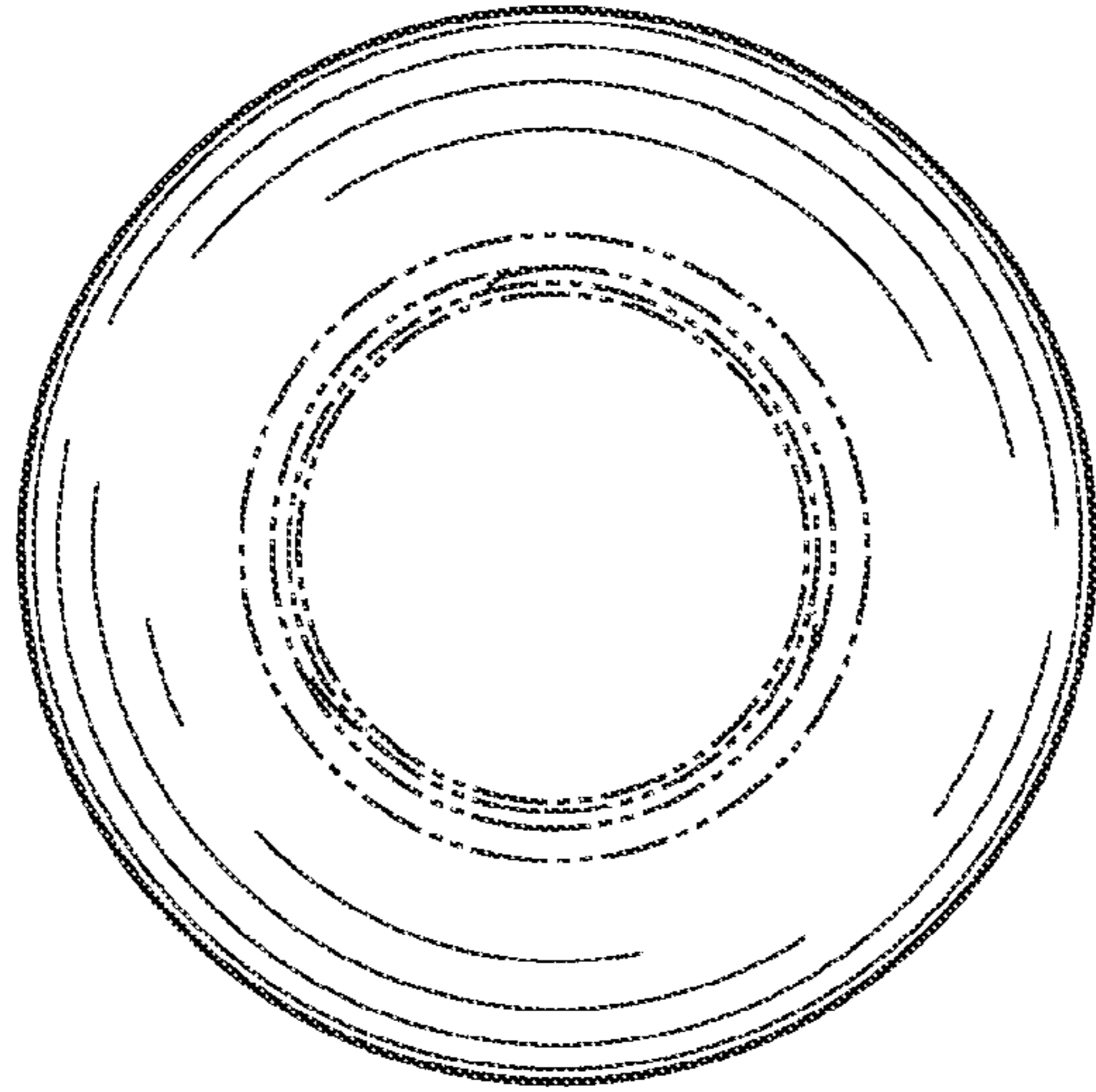


Fig. 6

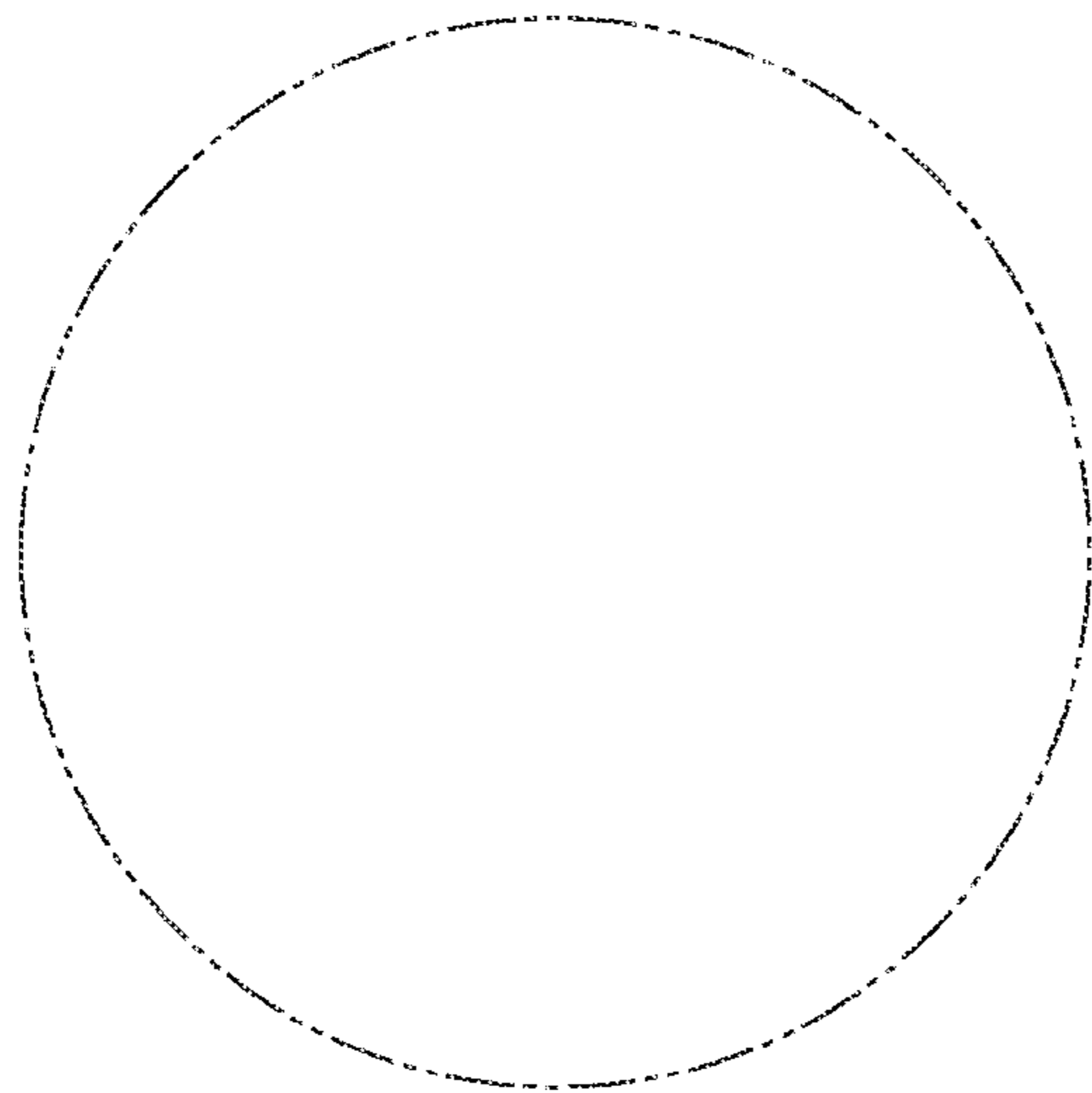


Fig. 7