



US00D619003S

(12) **United States Design Patent**  
**Benoit-Gonin et al.**

(10) **Patent No.:** **US D619,003 S**  
(45) **Date of Patent:** **\*\* Jul. 6, 2010**

(54) **CLOSURE MEANS FOR PACKAGING**

(75) Inventors: **Claude Benoit-Gonin**, Odenas (FR);  
**Philippe Bardet**, Gleize (FR)

(73) Assignee: **Obrist Closures Switzerland GmbH**  
(CH)

(\*\*) Term: **14 Years**

(21) Appl. No.: **29/339,494**

(22) Filed: **Jun. 30, 2009**

(51) **LOC (9) Cl.** ..... **09-07**

(52) **U.S. Cl.** ..... **D9/453**

(58) **Field of Classification Search** ..... D9/708,  
D9/709, 705, 629, 454, 453, 452, 451, 447,  
D9/445, 443, 439, 438, 435; D7/571, 567,  
D7/354; D24/224, 197; 222/566, 525; 220/288;  
215/329, 328, 256, 252, 238, 222; 116/308  
See application file for complete search history.

(56) **References Cited**

**U.S. PATENT DOCUMENTS**

4,059,198	A	*	11/1977	Mumford	.....	215/222
D318,804	S	*	8/1991	Ochs	.....	D9/453
5,358,872	A	*	10/1994	Mussi et al.	.....	435/297.1
D427,068	S	*	6/2000	Hierzer et al.	.....	D9/436
D460,357	S	*	7/2002	Kras et al.	.....	D9/435
D534,802	S	*	1/2007	German	.....	D9/453
D582,275	S	*	12/2008	Reed et al.	.....	D9/453

D583,237	S	*	12/2008	Fuchs	.....	D9/453
D584,619	S	*	1/2009	Lohrman et al.	.....	D9/453
2006/0060555	A1	*	3/2006	Ma et al.	.....	215/252

\* cited by examiner

*Primary Examiner*—Susan Bennett Hattan

(74) *Attorney, Agent, or Firm*—Bradley Arant Boult  
Cummings LLP

(57) **CLAIM**

The ornamental design for a closure means for packaging,  
substantially as shown and described.

**DESCRIPTION**

FIG. 1 is a perspective view of one embodiment of the closure  
means for packaging.

FIG. 2 is a side elevation view of one embodiment of the  
closure means for packaging.

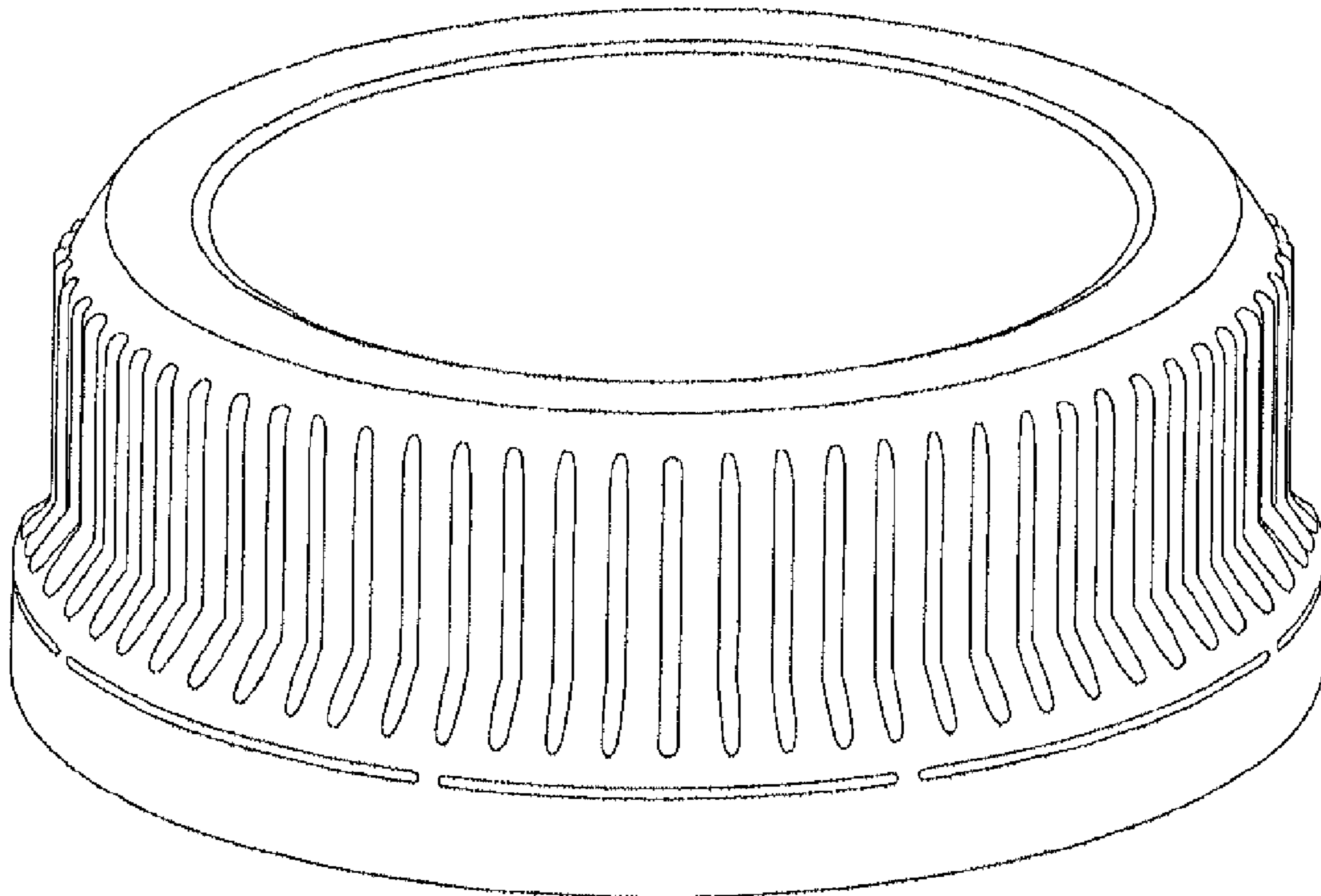
FIG. 3 is a perspective view of an alternate embodiment of the  
closure means for packaging.

FIG. 4 is a side elevation view of an alternate embodiment of  
the closure means for packaging; and,

FIG. 5 is a top view of both embodiments of the closure means  
for packaging.

The frangible bridges at the lower, open end of the closure  
skirt portions of FIGS. 3 and 4 shown in broken lines illustrate  
environmental structure and form no part of the claimed  
design.

**1 Claim, 3 Drawing Sheets**



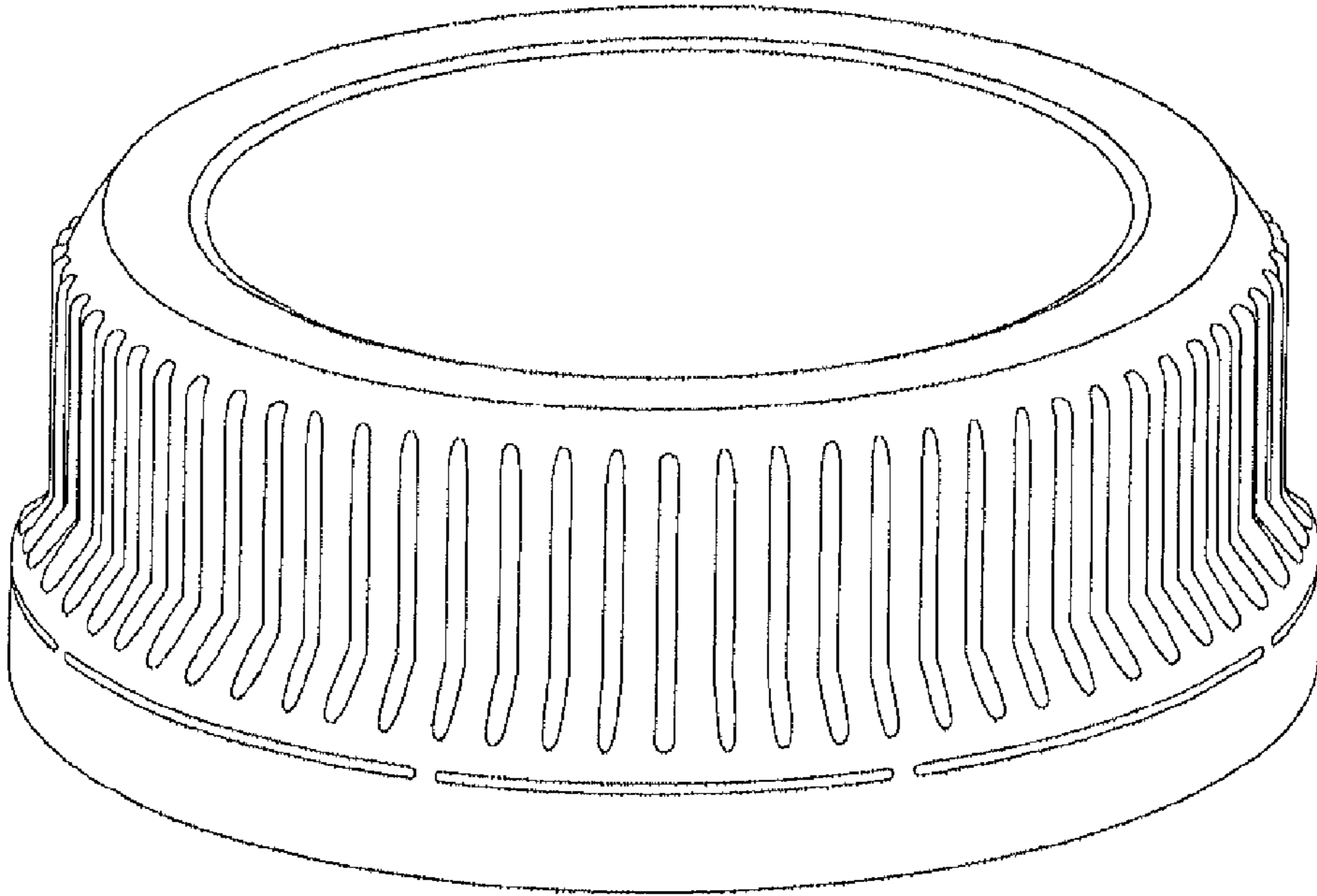


FIG. 1

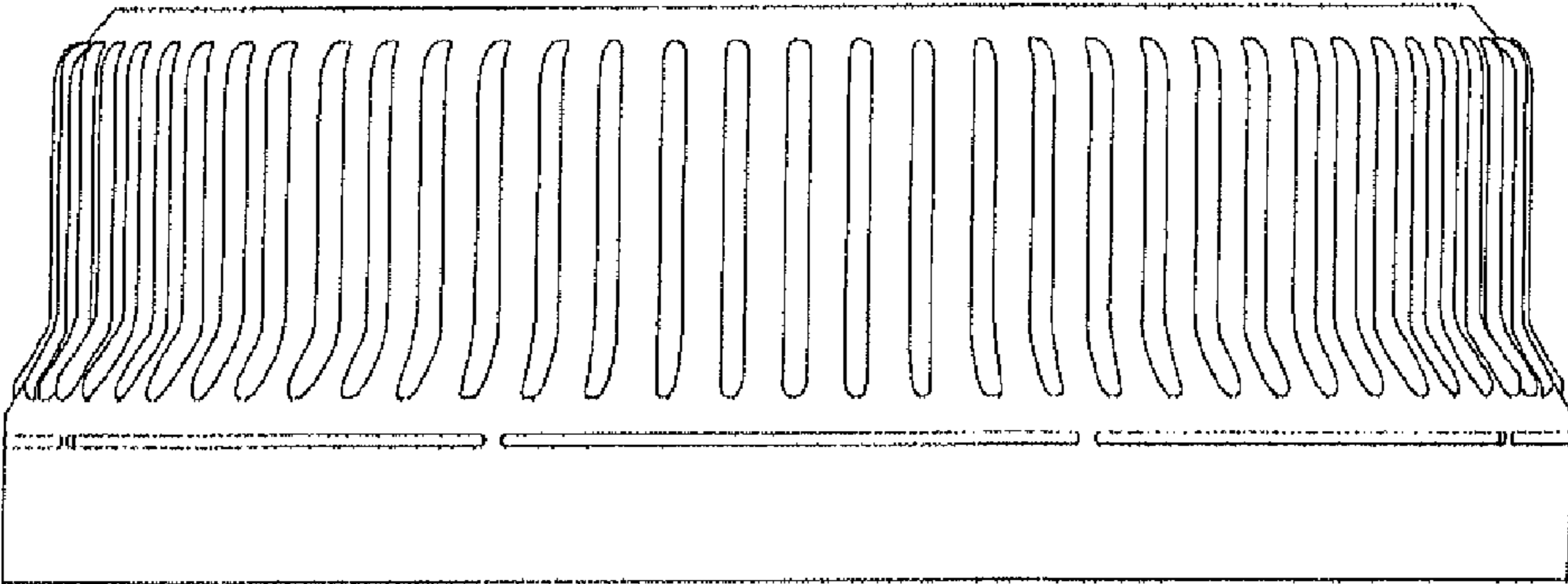


FIG. 2

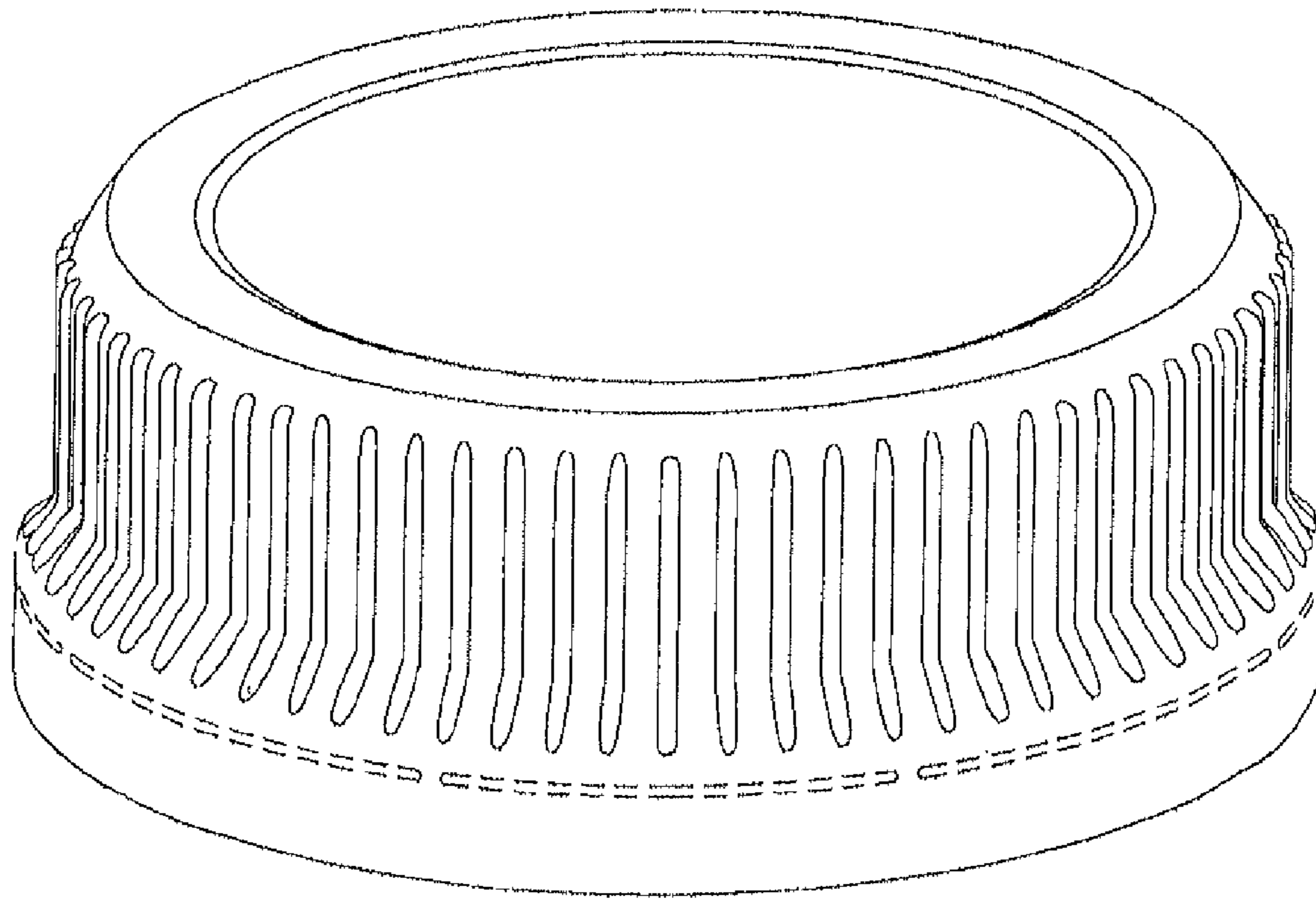


FIG. 3

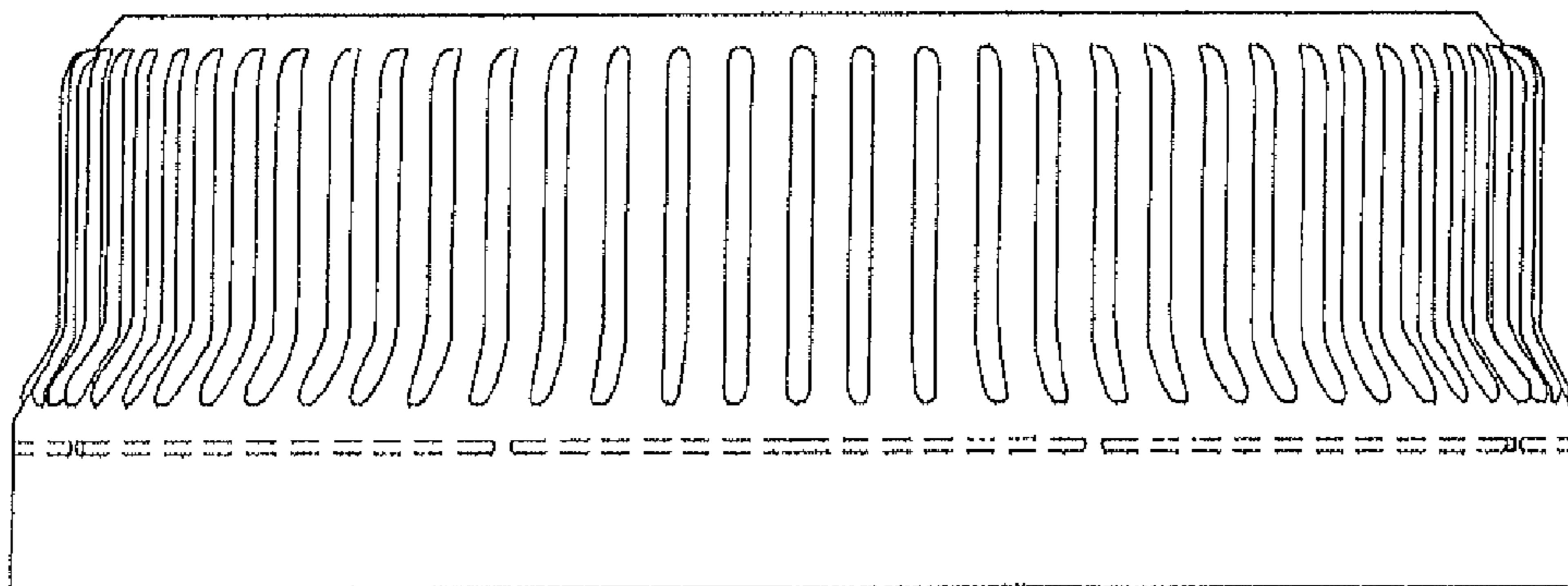


FIG. 4

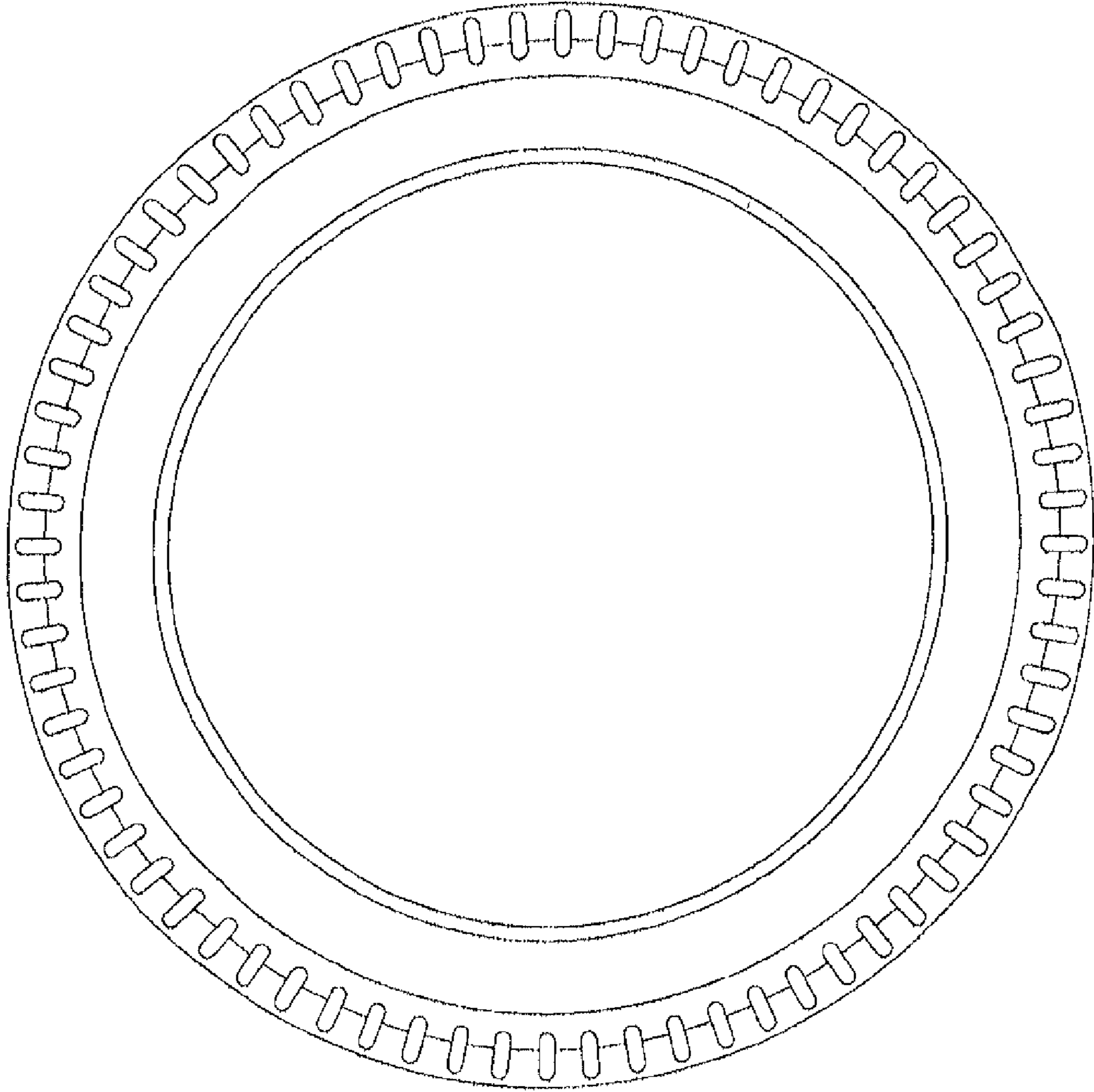


FIG. 5