



US00D619001S

(12) **United States Design Patent**  
**McKinney**

(10) **Patent No.:** **US D619,001 S**  
(45) **Date of Patent:** **\*\* Jul. 6, 2010**

(54) **DRINKING CONTAINER CAP ASSEMBLY**

(57) **CLAIM**

(75) Inventor: **Larry T. McKinney**, Huntersville, NC (US)

The ornamental design for a “drinking container cap assembly,” as shown and described.

(73) Assignee: **Rubbermaid Incorporated**, Huntersville, NC (US)

**DESCRIPTION**

(\*\*) Term: **14 Years**

(21) Appl. No.: **29/353,613**

(22) Filed: **Jan. 12, 2010**

**Related U.S. Application Data**

(62) Division of application No. 29/306,729, filed on Apr. 15, 2008, now Pat. No. Des. 610,005.

(51) **LOC (9) Cl.** ..... **09-07**

(52) **U.S. Cl.** ..... **D9/446; D9/453; D9/447**

(58) **Field of Classification Search** ..... D9/454, D9/450, 449, 447, 446, 443, 438, 436, 435, D9/434; D7/510, 396.2, 391; 222/565, 556, 222/109, 498, 153.01–153.14; 221/63; 220/847, 220/838, 375, 367.1, 258.2, 257.1, 254.1–254.4; 215/306, 256, 249, 243, 237, 235, 230; 16/257  
See application file for complete search history.

(56) **References Cited**

**U.S. PATENT DOCUMENTS**

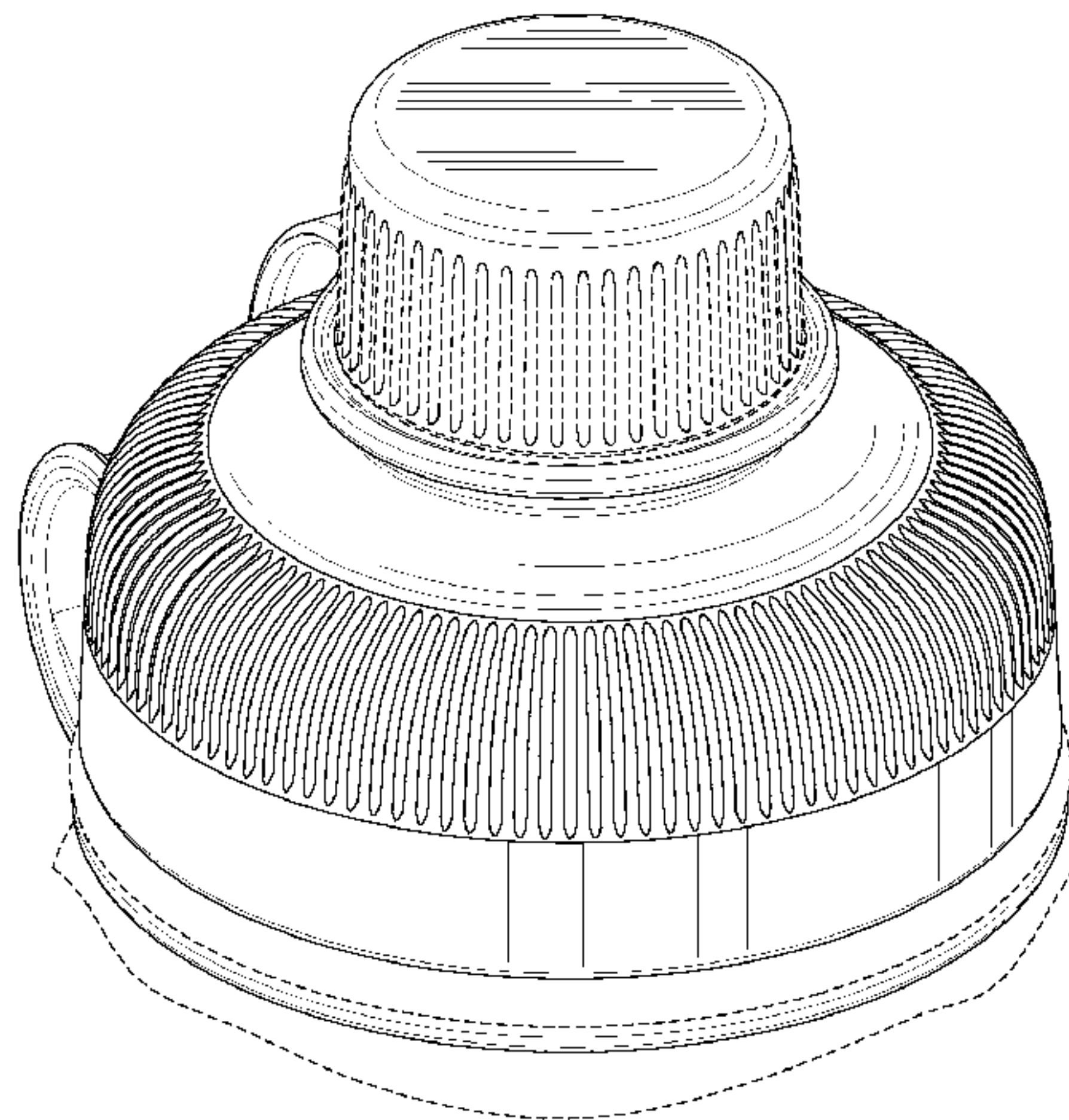
|           |     |         |             |       |         |
|-----------|-----|---------|-------------|-------|---------|
| 218,719   | A * | 8/1879  | Doyle       | ..... | 215/273 |
| 591,668   | A * | 10/1897 | Johnson     | ..... | 215/306 |
| 1,301,676 | A * | 4/1919  | Fitzgerald  | ..... | 220/288 |
| 1,564,019 | A * | 12/1925 | Pierce      | ..... | 215/227 |
| 1,633,420 | A * | 6/1927  | Schlayer    | ..... | 220/324 |
| 2,155,329 | A * | 4/1939  | Perdue      | ..... | 220/375 |
| D174,205  | S * | 3/1955  | Ward        | ..... | D9/446  |
| D185,179  | S * | 5/1959  | Tupper      | ..... | D9/436  |
| 2,911,128 | A * | 11/1959 | Krautkramer | ..... | 222/543 |

(Continued)

*Primary Examiner*—Susan Bennett Hattan

(74) *Attorney, Agent, or Firm*—Lempia Braidwood LLC

**1 Claim, 6 Drawing Sheets**



# US D619,001 S

Page 2

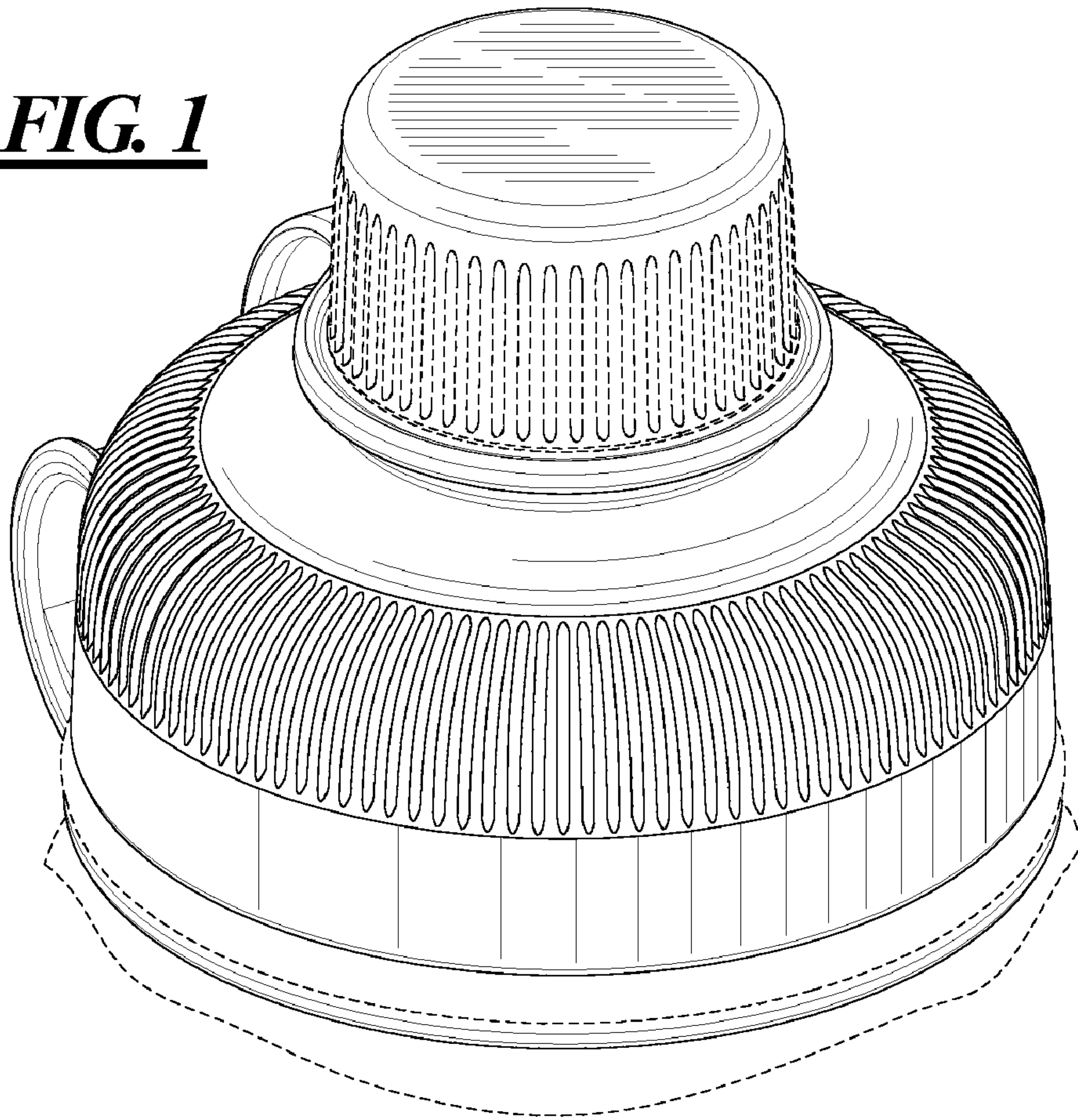
## U.S. PATENT DOCUMENTS

|           |   |   |         |                     |       |            |              |    |   |         |                 |       |            |
|-----------|---|---|---------|---------------------|-------|------------|--------------|----|---|---------|-----------------|-------|------------|
| D193,121  | S | * | 6/1962  | Wickman             | ..... | D9/446     | 6,227,399    | B1 | * | 5/2001  | Angus et al.    | ..... | 220/375    |
| 3,147,824 | A | * | 9/1964  | Henderson           | ..... | 184/88.1   | D443,337     | S  | * | 6/2001  | Mark et al.     | ..... | D23/238    |
| 3,181,725 | A | * | 5/1965  | Friedl              | ..... | 220/293    | 6,478,180    | B1 | * | 11/2002 | Dehn, Sr.       | ..... | 220/375    |
| D221,886  | S | * | 9/1971  | Gruett              | ..... | D15/150    | D478,005     | S  | * | 8/2003  | Sali            | ..... | D9/446     |
| 4,127,211 | A | * | 11/1978 | Zerbey              | ..... | 220/212    | D496,559     | S  | * | 9/2004  | Bodum           | ..... | D7/510     |
| 4,448,316 | A | * | 5/1984  | Hiroshige           | ..... | 215/388    | D501,362     | S  | * | 2/2005  | Gauss           | ..... | D7/510     |
| 4,478,346 | A | * | 10/1984 | Spong               | ..... | 220/711    | 7,040,499    | B1 | * | 5/2006  | Reif            | ..... | 220/291    |
| 4,526,289 | A | * | 7/1985  | Schiemann           | ..... | 220/304    | D528,862     | S  | * | 9/2006  | Li              | ..... | D7/510     |
| D280,802  | S | * | 10/1985 | Cho                 | ..... | D9/446     | D529,338     | S  | * | 10/2006 | Poulson et al.  | ..... | D7/510     |
| 4,669,641 | A | * | 6/1987  | Holmes              | ..... | 222/543    | D530,200     | S  | * | 10/2006 | Kingsley        | ..... | D9/446     |
| 4,728,037 | A | * | 3/1988  | Mainhardt           | ..... | 239/154    | D536,929     | S  | * | 2/2007  | Kingsley        | ..... | D7/510     |
| 4,811,865 | A | * | 3/1989  | Mueller et al.      | ..... | 222/153.08 | D537,676     | S  | * | 3/2007  | Kingsley        | ..... | D7/510     |
| 5,044,512 | A | * | 9/1991  | Giancaspro et al.   | ..... | 220/709    | D588,871     | S  | * | 3/2009  | Miller et al.   | ..... | D7/510     |
| 5,090,583 | A | * | 2/1992  | Hoffman et al.      | ..... | 215/253    | D591,160     | S  | * | 4/2009  | Windmiller      | ..... | D9/540     |
| D337,939  | S | * | 8/1993  | Smith, Jr.          | ..... | D9/726     | D596,458     | S  | * | 7/2009  | McKinney        | ..... | D7/510     |
| 5,533,767 | A | * | 7/1996  | Georgopoulos et al. | ..... | 292/320    | 2004/0164079 | A1 | * | 8/2004  | Alois           | ..... | 220/375    |
| 5,573,525 | A | * | 11/1996 | Watson et al.       | ..... | 604/403    | 2005/0199631 | A1 | * | 9/2005  | Alois           | ..... | 220/375    |
| D391,448  | S | * | 3/1998  | Winer et al.        | ..... | D7/510     | 2005/0247714 | A1 | * | 11/2005 | Backes et al.   | ..... | 220/375    |
| D413,067  | S | * | 8/1999  | Haley               | ..... | D9/539     | 2005/0274741 | A1 | * | 12/2005 | Cho             | ..... | 222/153.14 |
| 6,079,589 | A | * | 6/2000  | Matsuyama et al.    | ..... | 220/715    | 2008/0087624 | A1 | * | 4/2008  | Buckley         | ..... | 215/230    |
| D442,434  | S | * | 5/2001  | Klima et al.        | ..... | D7/510     | 2009/0236341 | A1 | * | 9/2009  | Mckinney et al. | ..... | 220/375    |

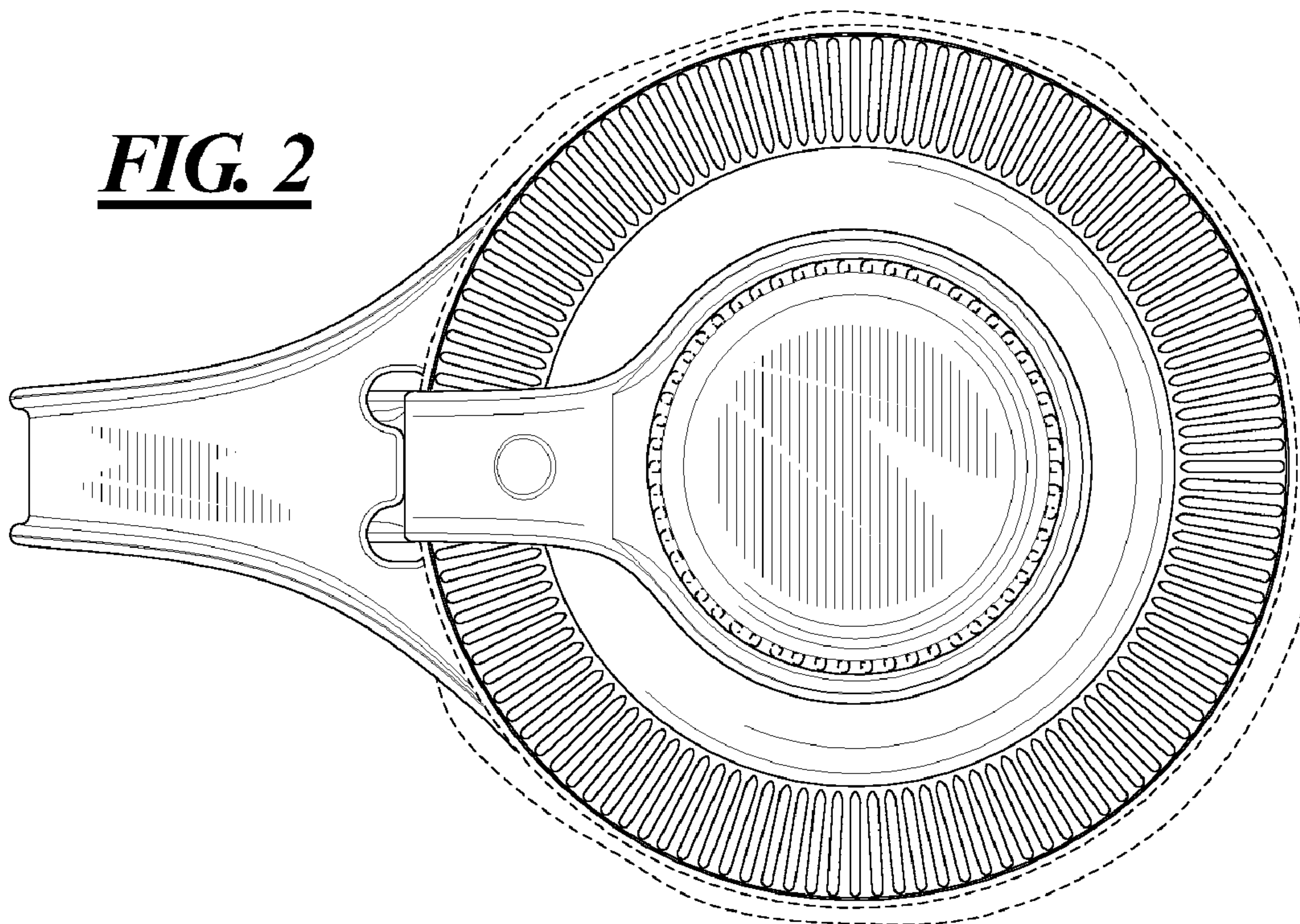
\* cited by examiner



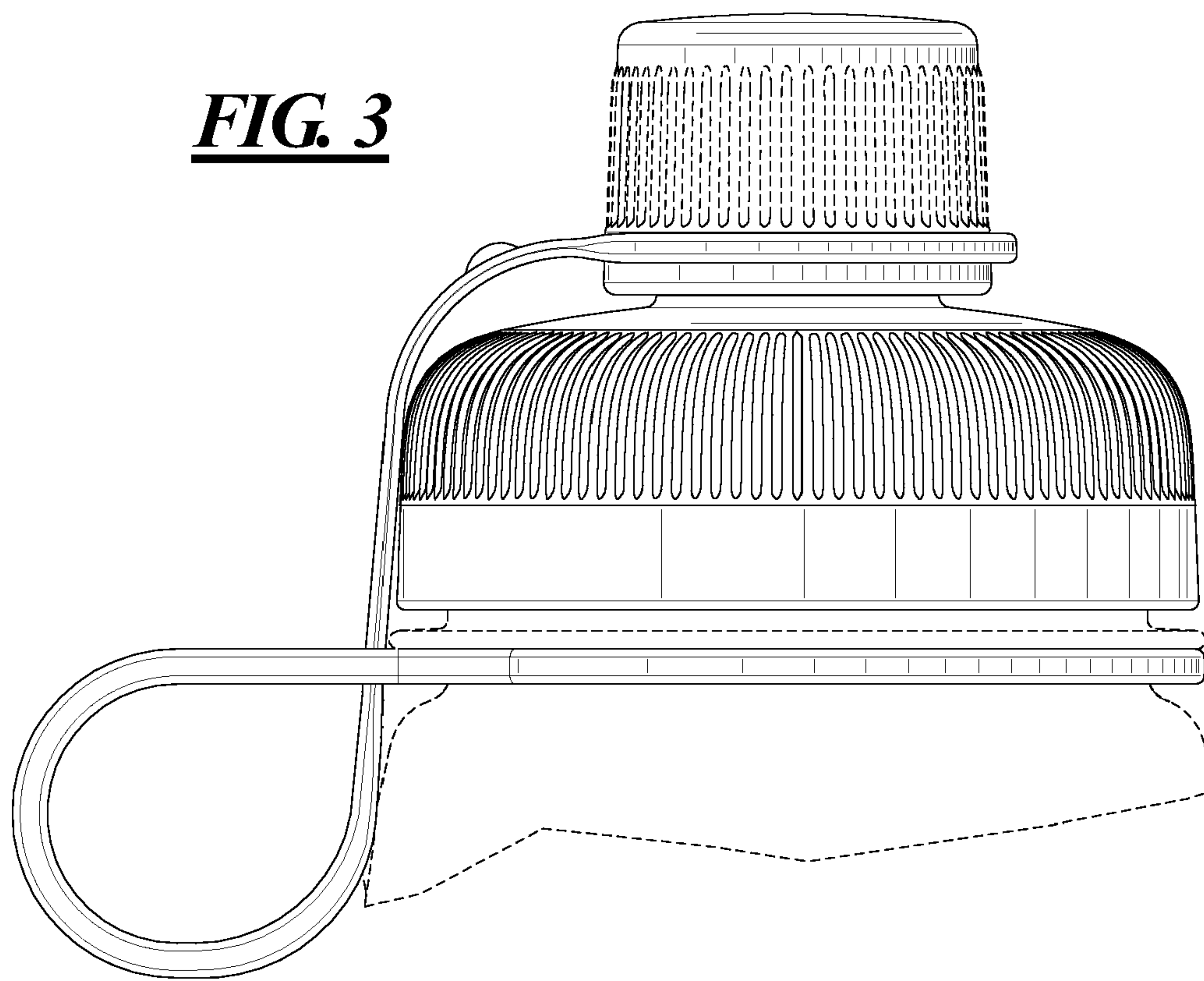
**FIG. 1**



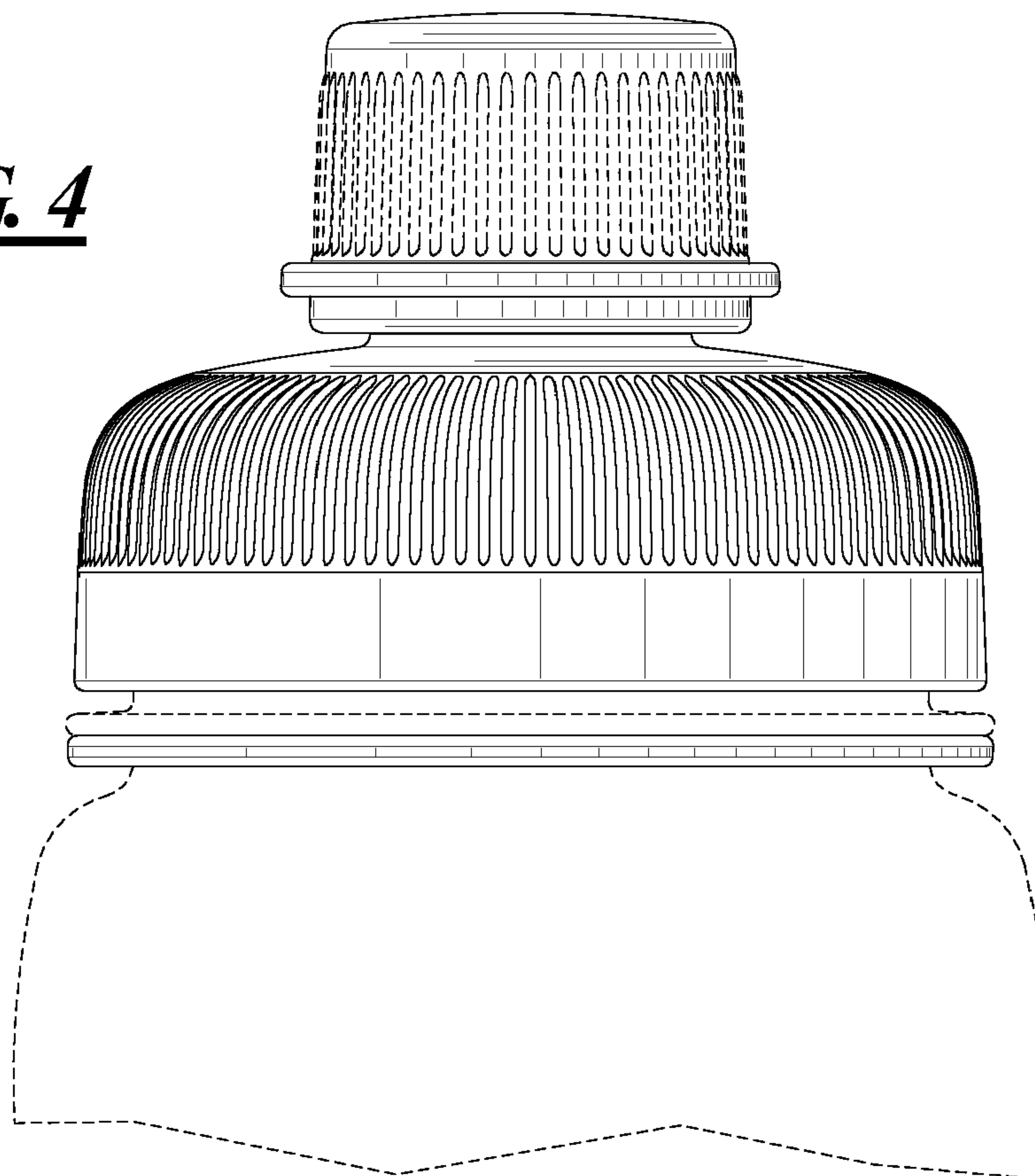
**FIG. 2**



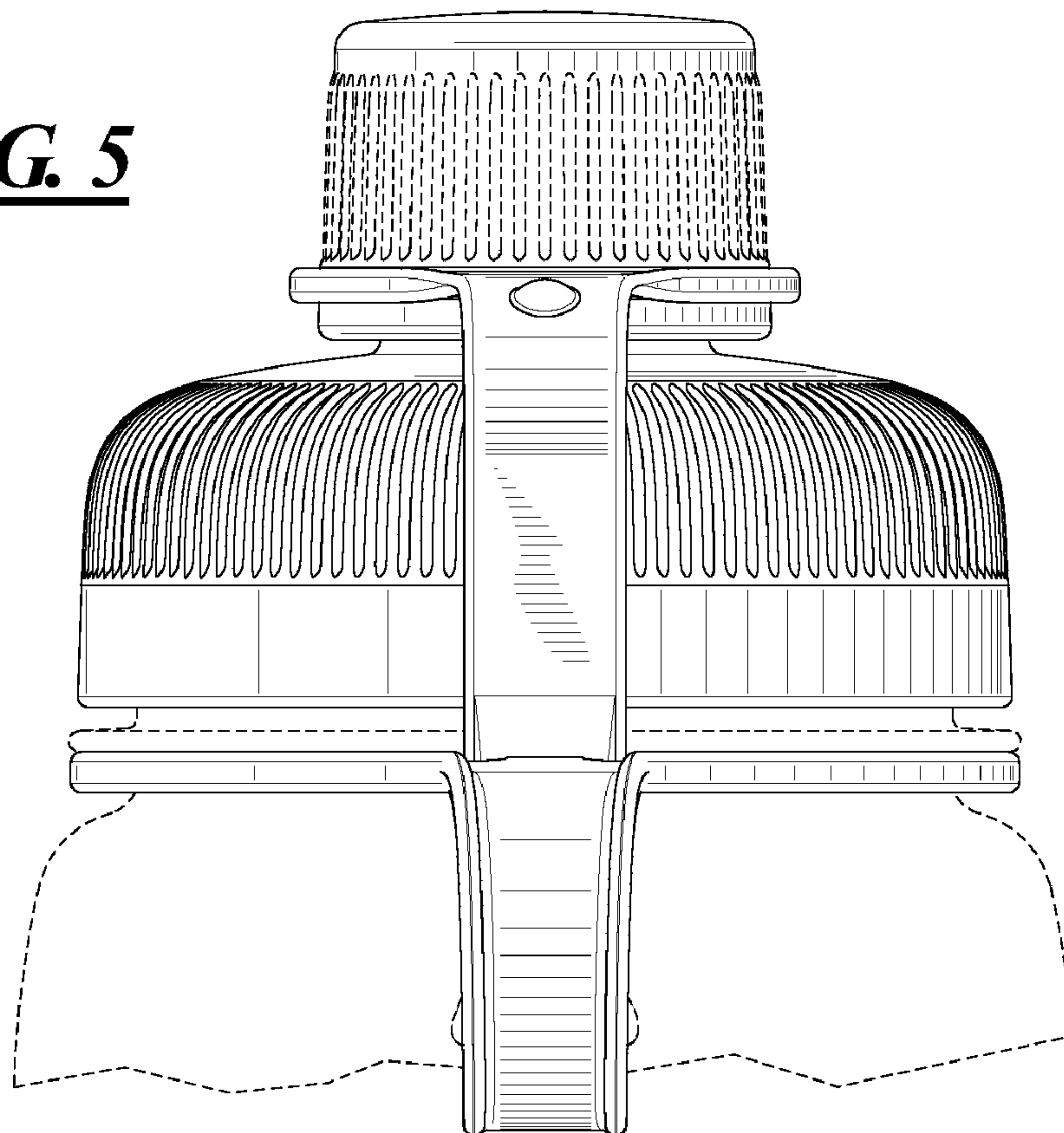
**FIG. 3**



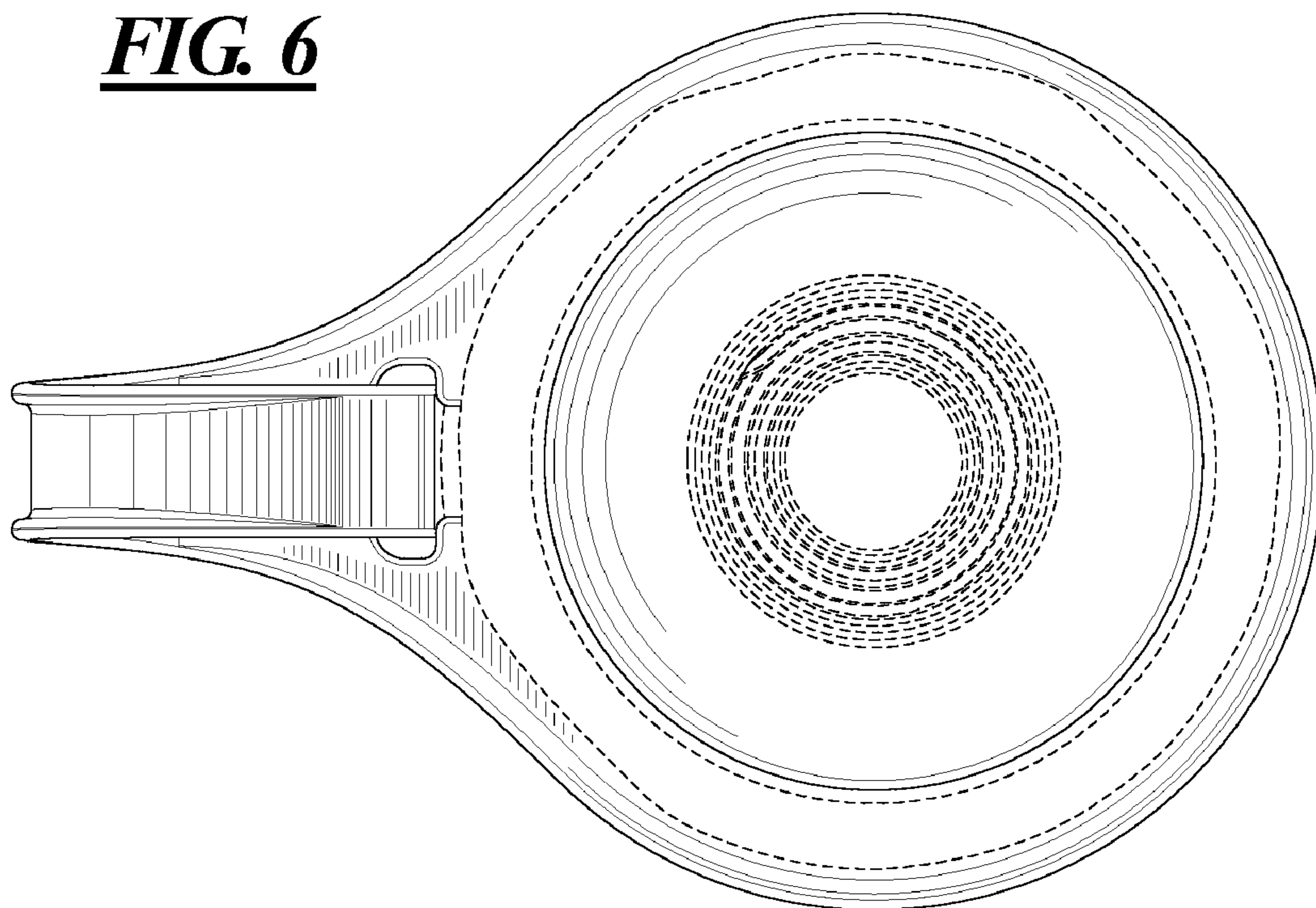
**FIG. 4**



**FIG. 5**

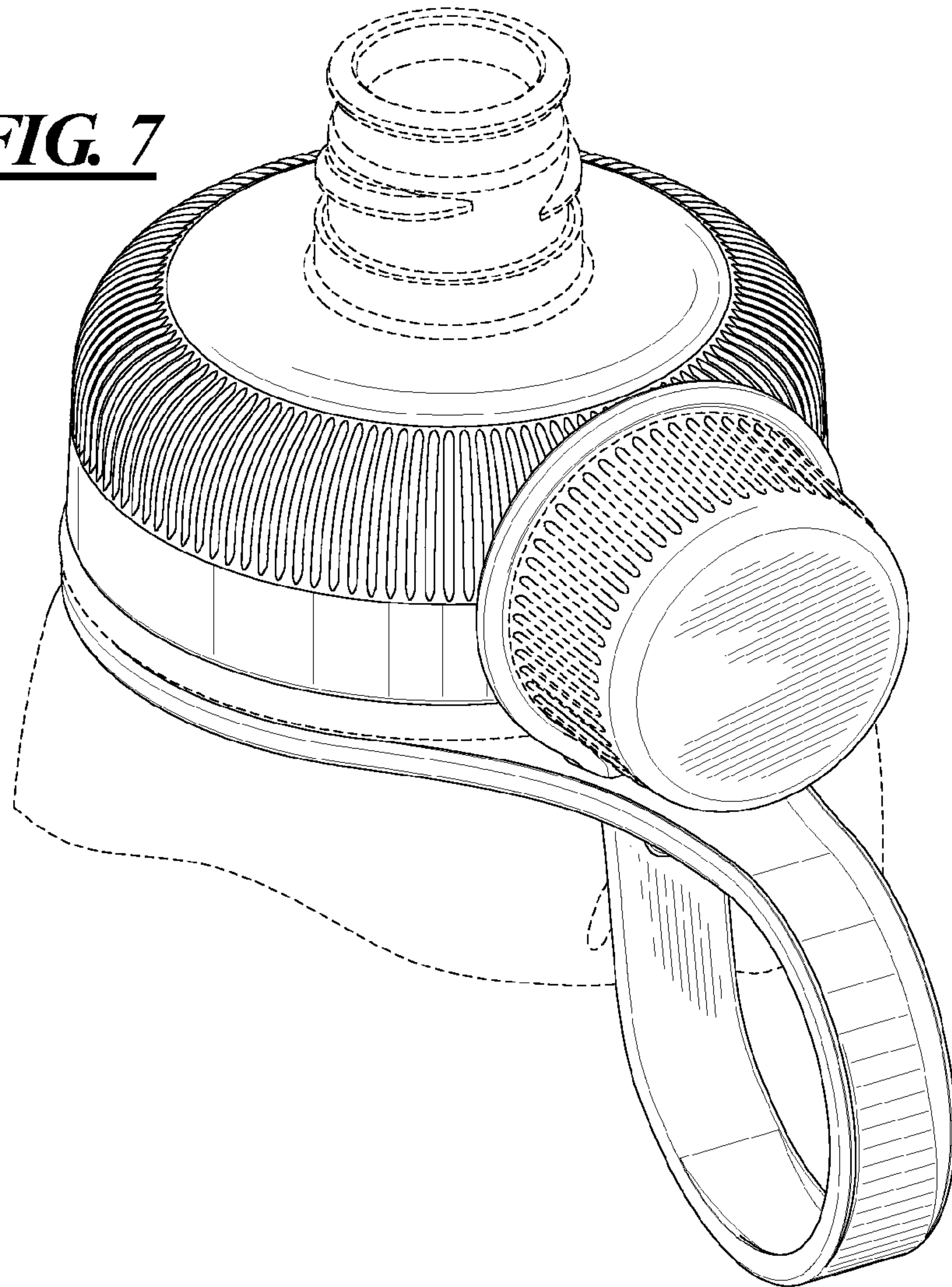


**FIG. 6**

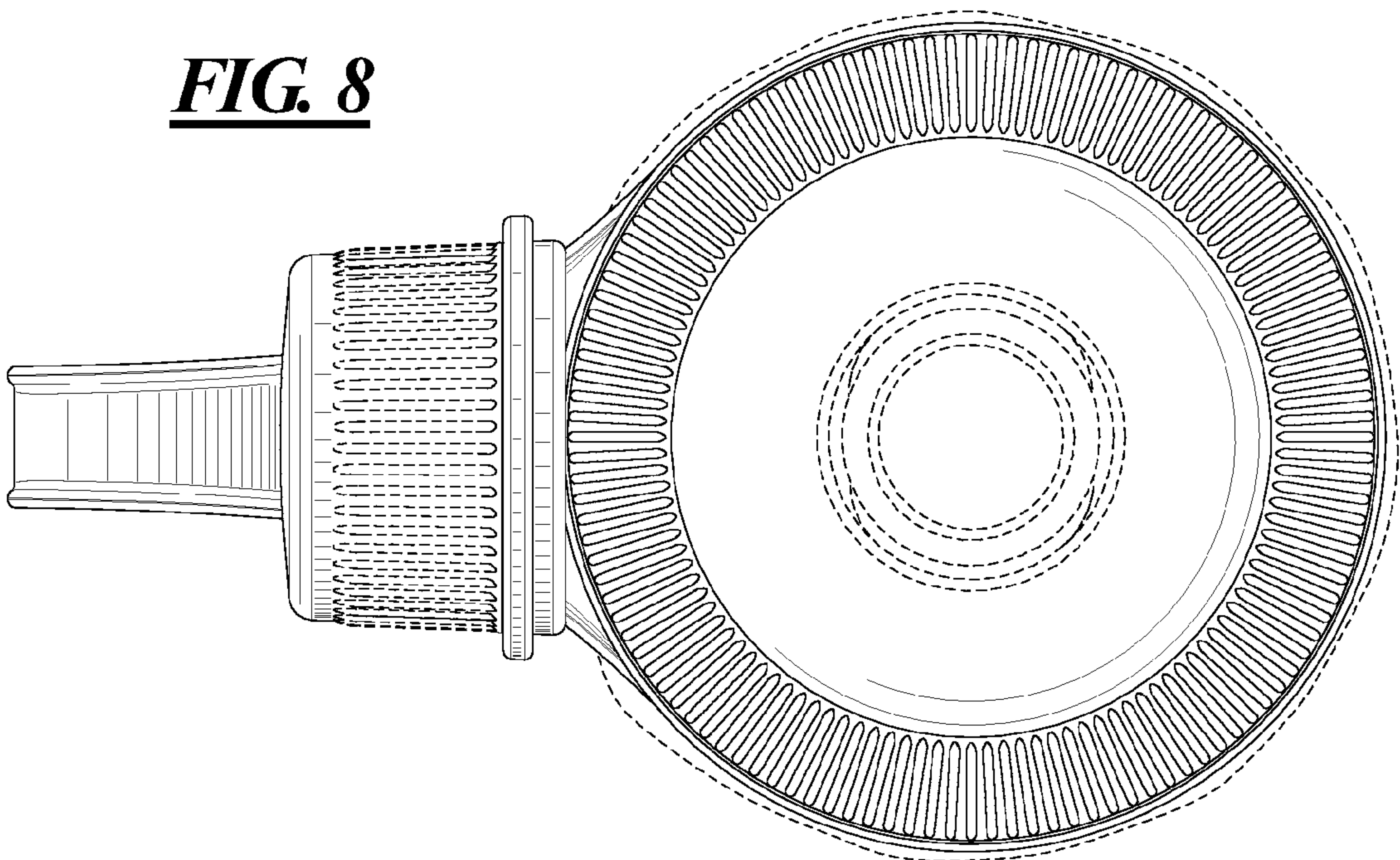


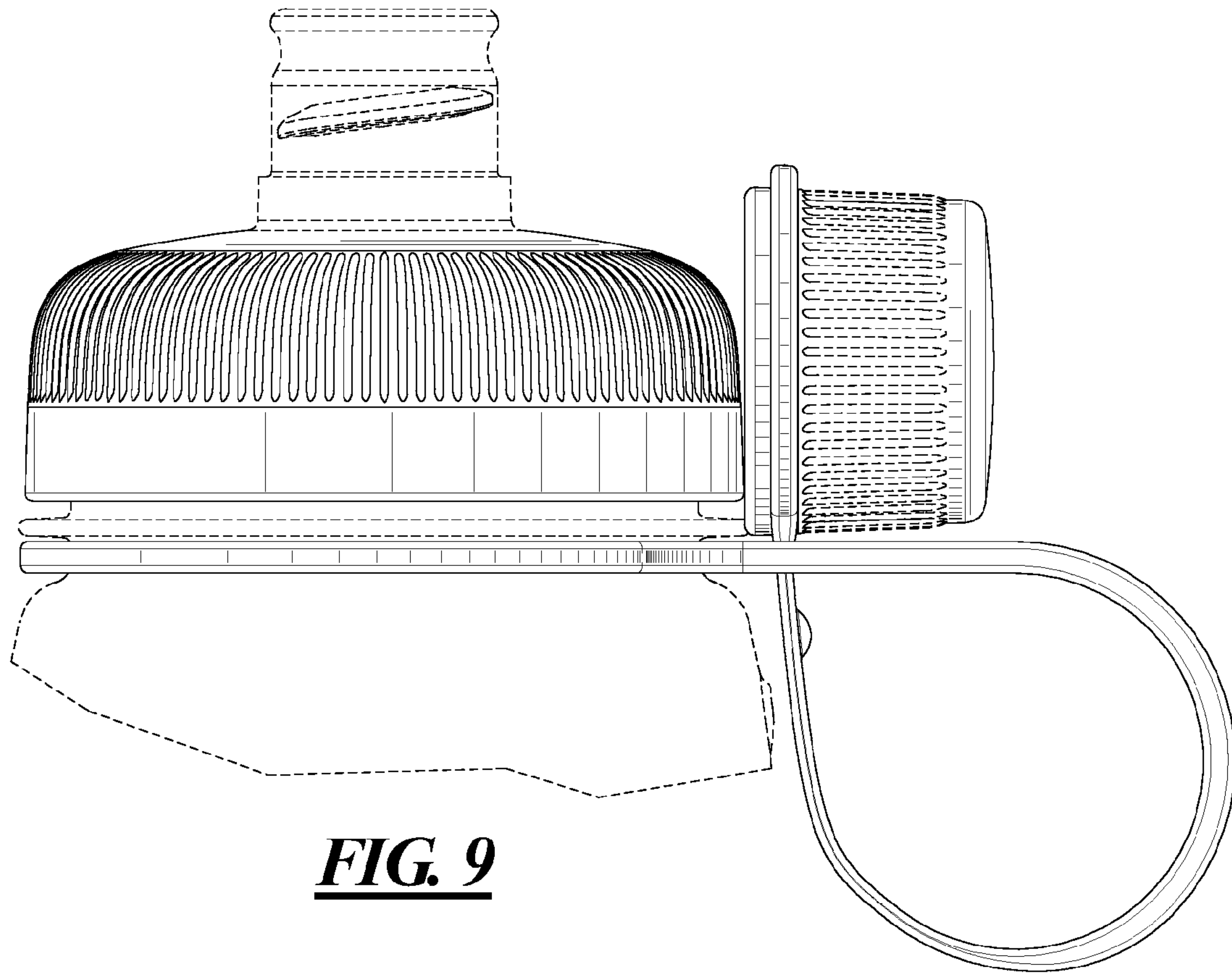


**FIG. 7**

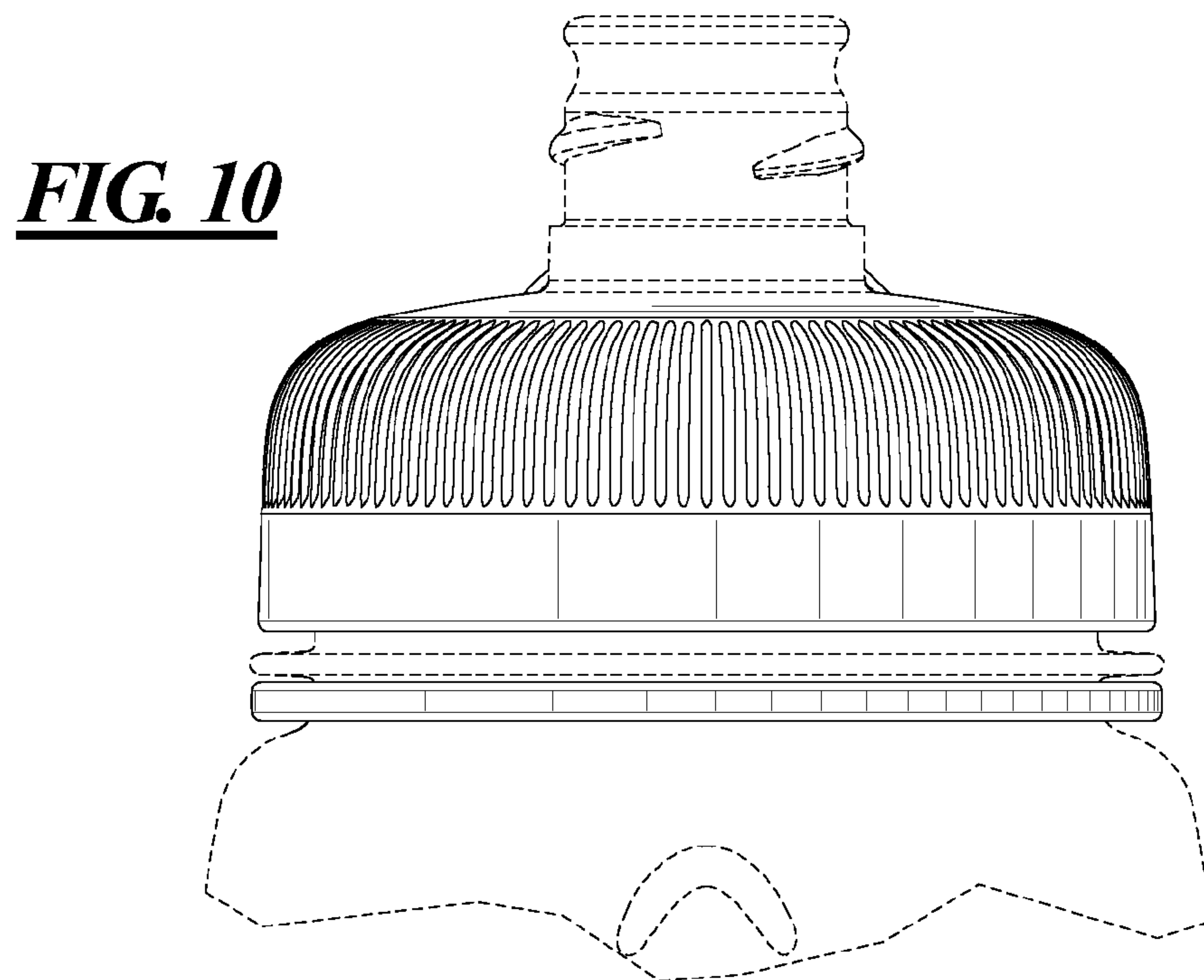


**FIG. 8**



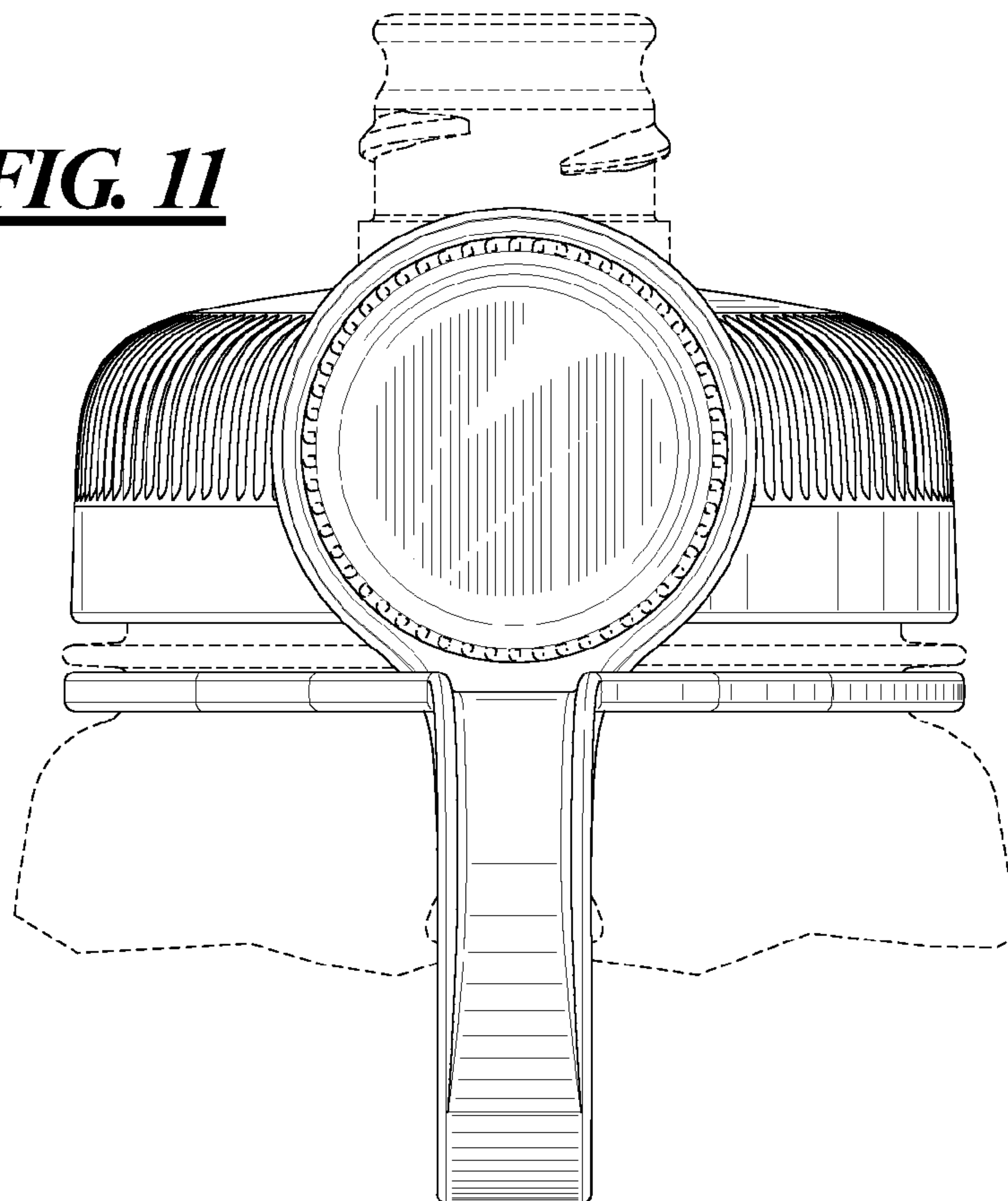


**FIG. 9**



**FIG. 10**

**FIG. 11**



**FIG. 12**

