



US00D618996S

(12) **United States Design Patent**
Wu

(10) **Patent No.:** **US D618,996 S**
(45) **Date of Patent:** **** Jul. 6, 2010**

(54) **JOINT COVER FOR SCISSORS**

(75) Inventor: **Chin-Sung Wu**, Chang Hua County (TW)

(73) Assignee: **Winland Garden Tools Co., Ltd.**, Chang Hua County (TW)

(**) Term: **14 Years**

(21) Appl. No.: **29/337,204**

(22) Filed: **May 18, 2009**

(51) **LOC (9) Cl.** **08-99**

(52) **U.S. Cl.** **D8/499; D8/1; D8/382**

(58) **Field of Classification Search** D8/4, D8/5, 51-58, 105, 107, 1, 14, 71, 330, 343, D8/331, 346, 499, 382, 397, 387; 30/131, 30/195, 229, 194, 230-235, 268, 350, 254-258; 7/135, 136; D21/532; D27/195; D28/57
See application file for complete search history.

(56) **References Cited**

U.S. PATENT DOCUMENTS

D218,226	S	*	8/1970	Painaud	D8/499
D284,263	S	*	6/1986	Resan	D8/382
D284,264	S	*	6/1986	Resan	D8/382
D284,265	S	*	6/1986	Resan	D8/382
D284,266	S	*	6/1986	Resan	D8/382
D296,900	S	*	7/1988	Randolph	D15/148
5,651,651	A	*	7/1997	Spencer	411/372.6
5,879,117	A	*	3/1999	Chen et al.	411/373
D413,778	S	*	9/1999	Matthews et al.	D8/57
6,398,312	B1	*	6/2002	Marczynski et al.	...	301/35.622
D547,172	S	*	7/2007	Kent et al.	D8/397
D606,853	S	*	12/2009	Shapiro et al.	D8/397

* cited by examiner

Primary Examiner—Cathron C Brooks

Assistant Examiner—Deanna Fluegeman

(74) *Attorney, Agent, or Firm*—Alan Kamrath; Kamrath & Associates PA

(57) **CLAIM**

The ornamental design for a joint cover for scissors, as shown and described.

DESCRIPTION

FIG. 1 is a perspective view of a joint cover for scissors showing my design;

FIG. 2 is a front elevational view thereof;

FIG. 3 is a rear elevational view thereof;

FIG. 4 is a left side elevational view thereof;

FIG. 5 is a right side elevational view thereof;

FIG. 6 is a top plan view thereof;

FIG. 7 is a bottom plan view thereof;

FIG. 8 is another perspective view in accordance with the present invention;

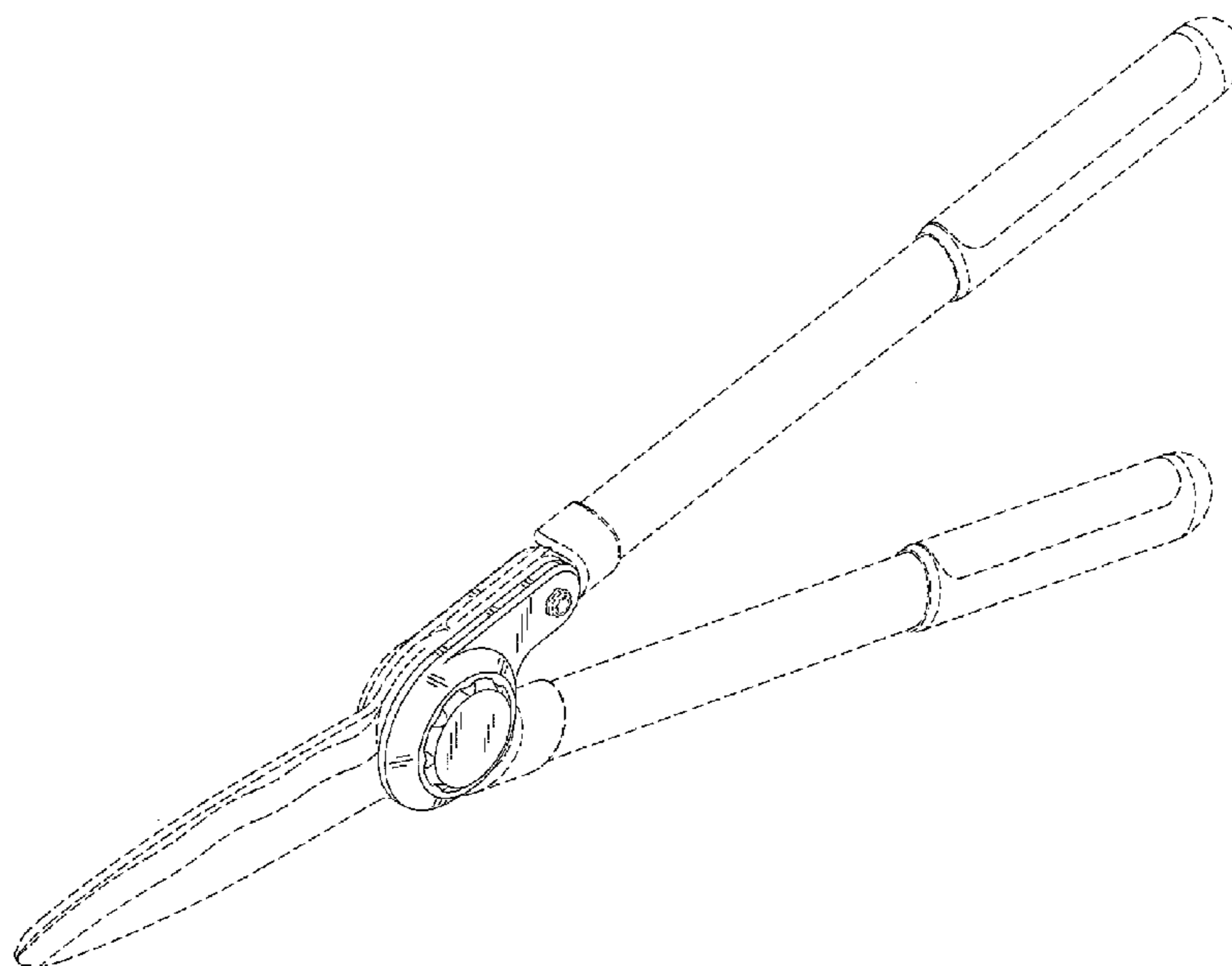
FIG. 9 is another perspective view thereof, showing an application of the joint cover for scissors showing my design;

FIG. 10 is another perspective view thereof, showing another application of the joint cover for scissors showing my design; and,

FIG. 11 is another perspective view thereof, showing a further application of the joint cover for scissors showing my design.

The broken lines in FIGS. 9-11 are included for the purpose of illustrating unclaimed environment and form no part of the claimed design.

1 Claim, 8 Drawing Sheets



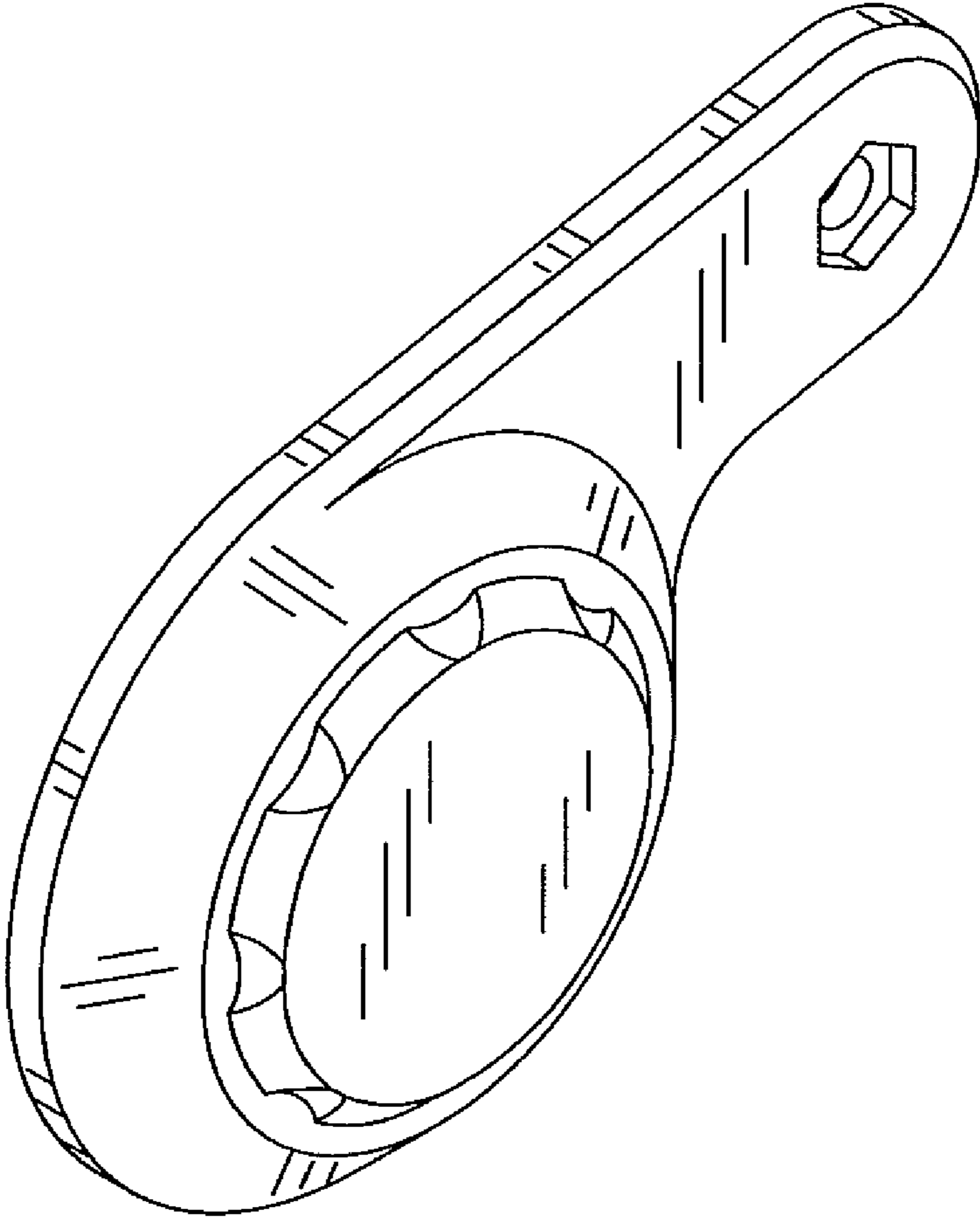


FIG. 1

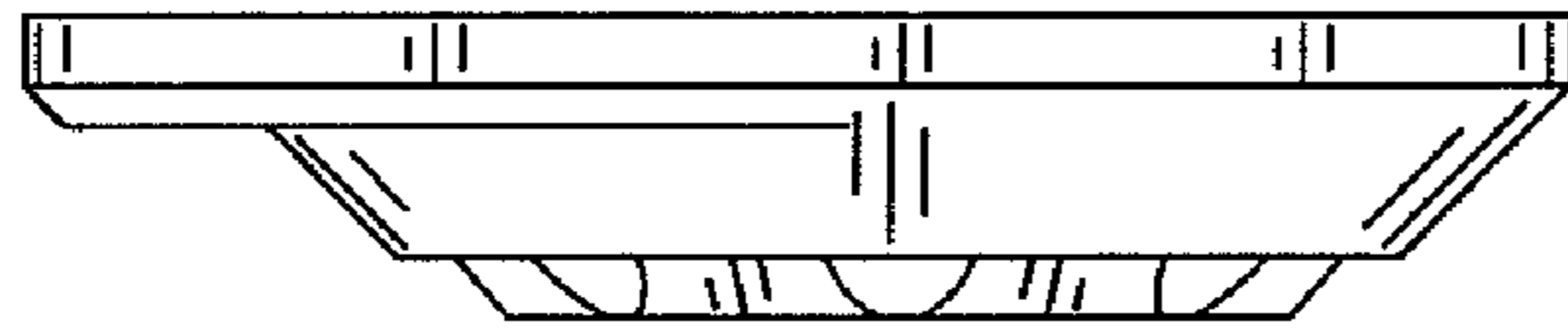


FIG. 3

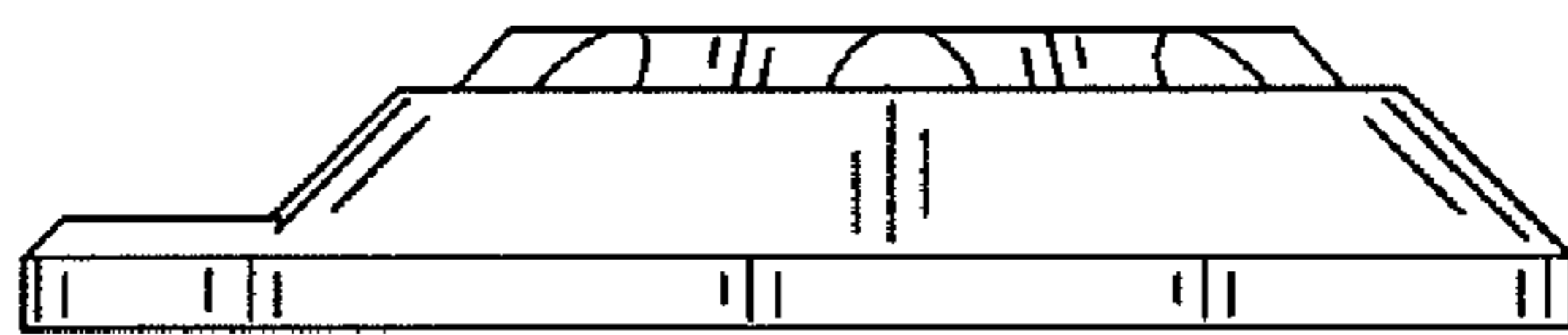


FIG. 2

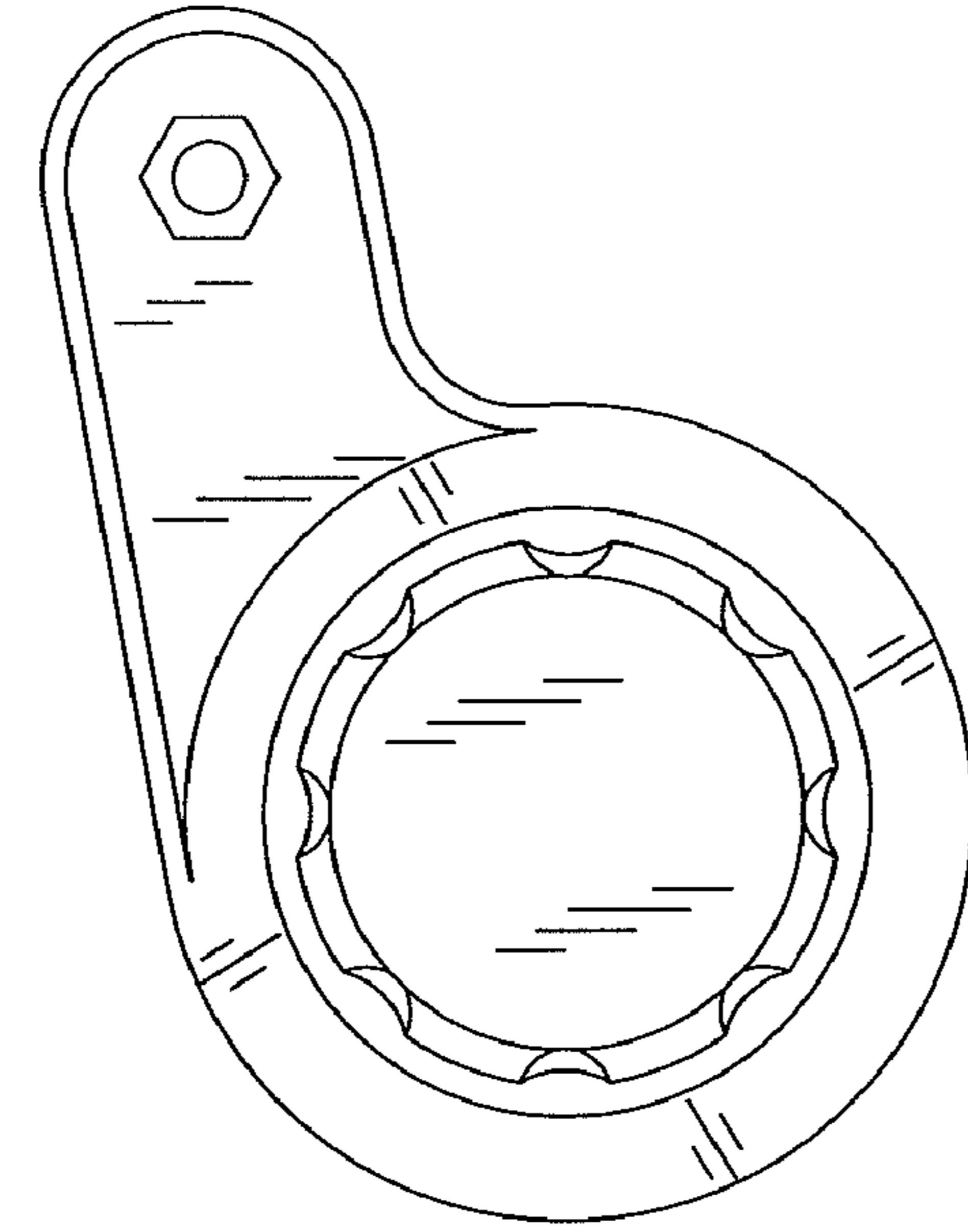


FIG. 5

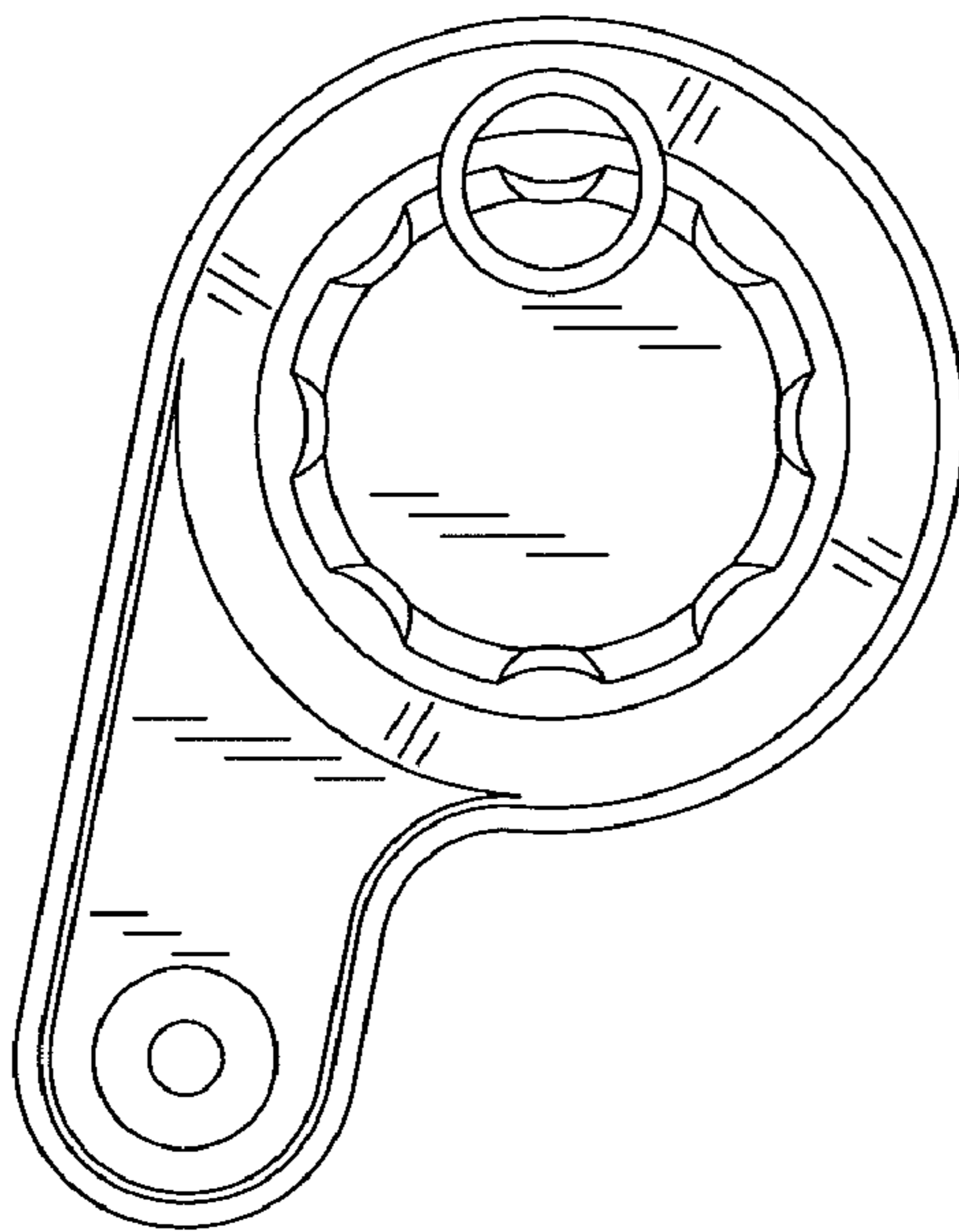


FIG. 4

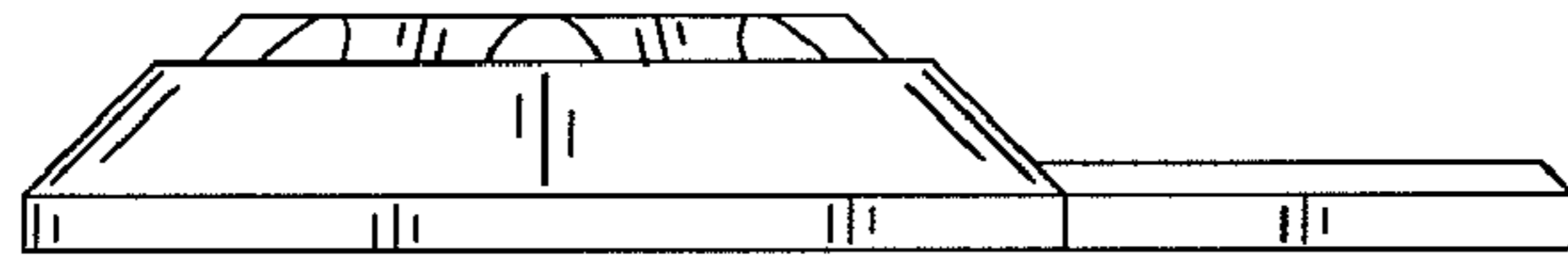


FIG. 7

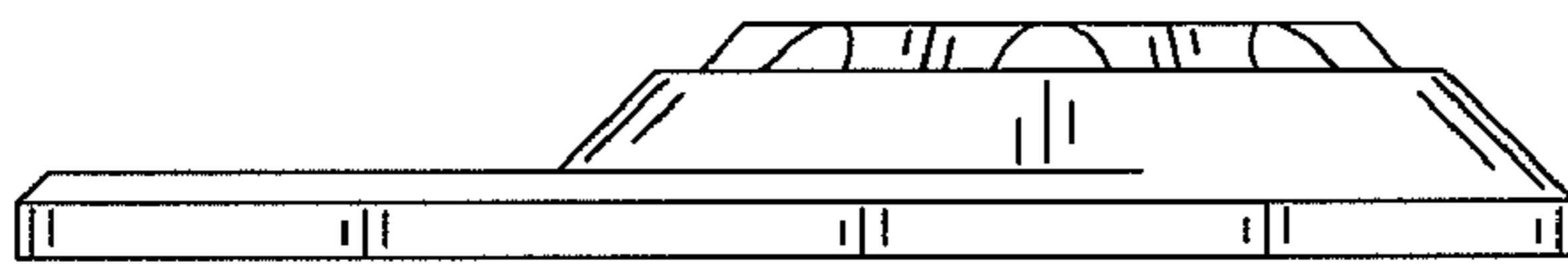


FIG. 6

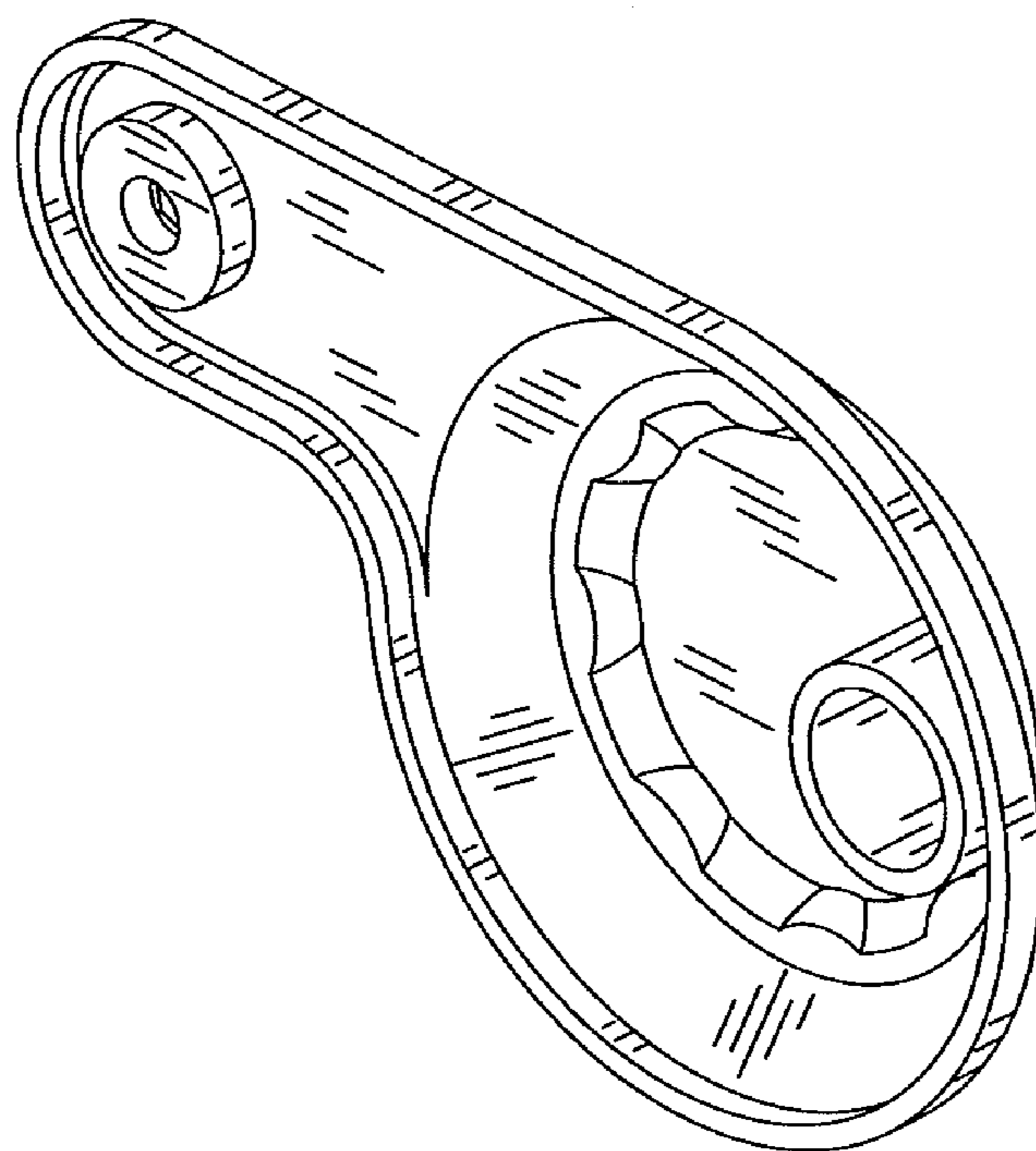


FIG. 8

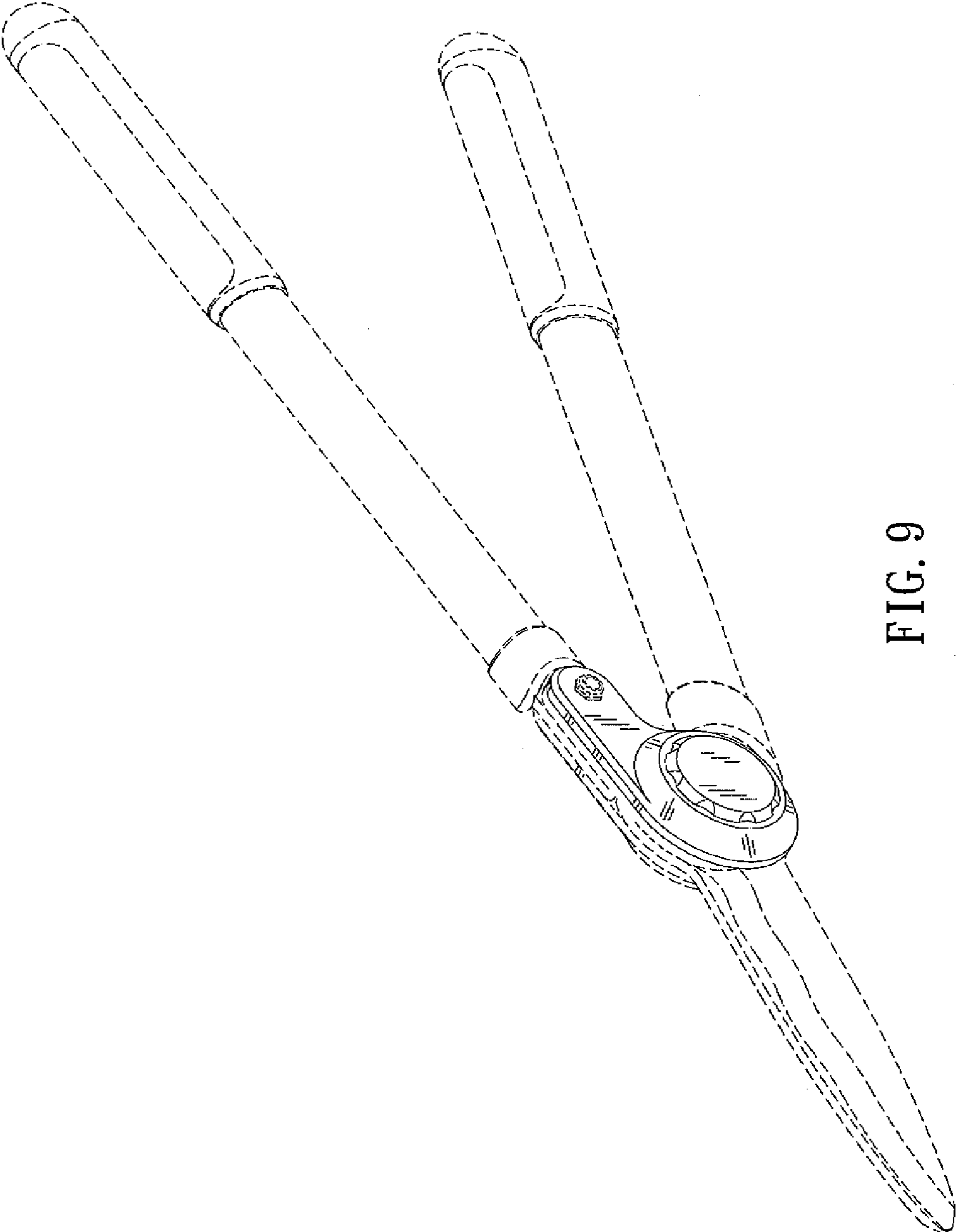


FIG. 9

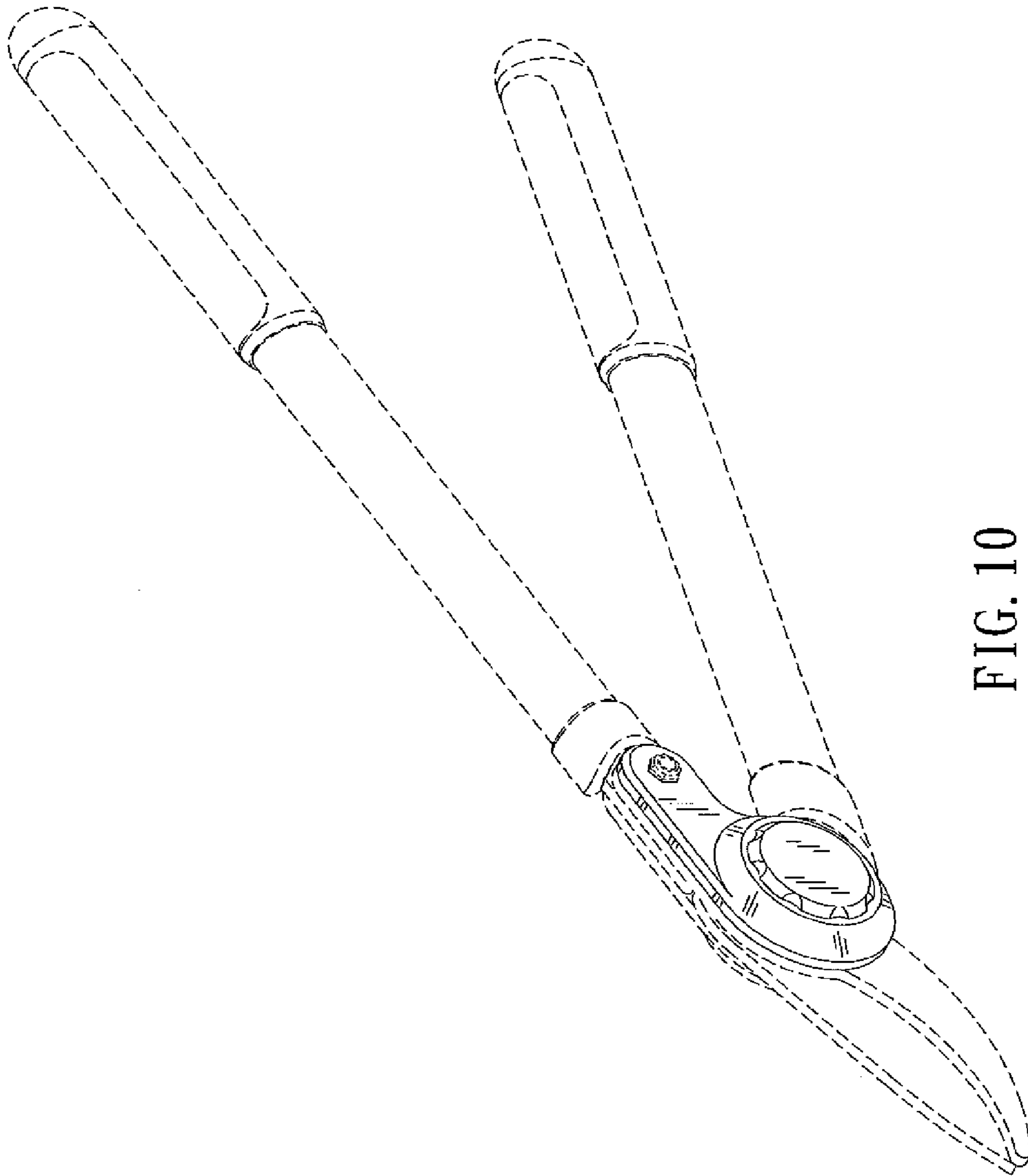


FIG. 10

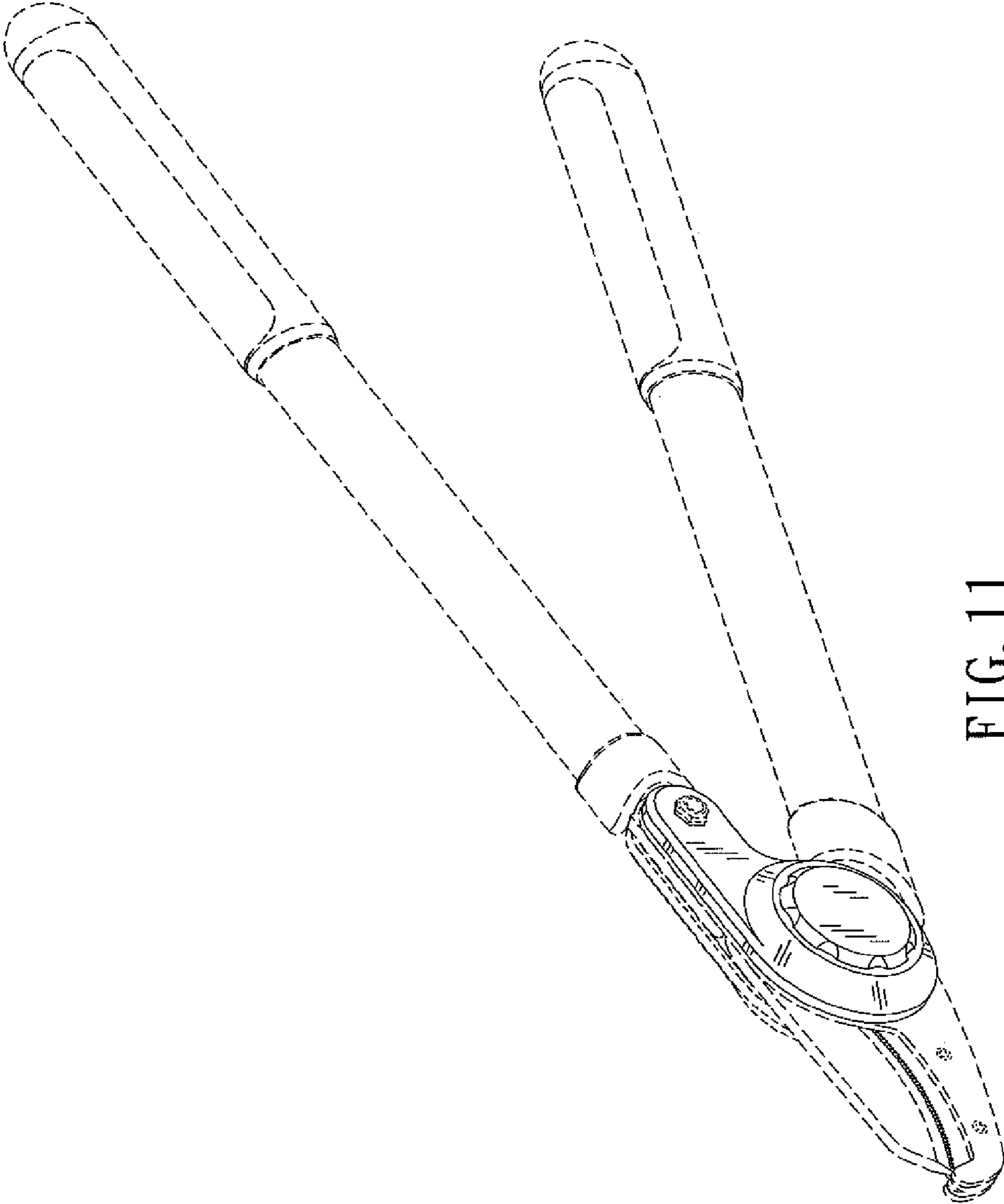


FIG. 11