



US00D618995S

(12) **United States Design Patent**  
**Lavelle**

(10) **Patent No.:** **US D618,995 S**

(45) **Date of Patent:** **\*\* Jul. 6, 2010**

(54) **CORNER PROTECTOR**

(76) Inventor: **Richard M. Lavelle**, 2662 Ravenwood Ct., Wexford, PA (US) 15090

(\*\*) Term: **14 Years**

(21) Appl. No.: **29/341,479**

(22) Filed: **Aug. 6, 2009**

(51) **LOC (9) Cl.** ..... **08-09**

(52) **U.S. Cl.** ..... **D8/403**

(58) **Field of Classification Search** ..... D8/400-499;  
D25/199; D24/227, 229; 54/24, 26; 428/99,  
428/199; 229/199; 206/453, 586, 557-567  
See application file for complete search history.

(56) **References Cited**

U.S. PATENT DOCUMENTS

1,320,205	A	10/1919	Cochrane	
1,546,680	A	7/1925	Sessions	
2,080,630	A	5/1937	Nathanson	
3,030,728	A	4/1961	Wesman	
D191,133	S *	8/1961	Marx	..... D32/73
2,995,863	A *	8/1961	Bright	..... 248/345.1
3,137,087	A	6/1964	Shroyer	
D220,166	S *	3/1971	Griffith	..... D8/380
3,655,113	A *	4/1972	Carroll	..... 206/586
3,725,188	A	4/1973	Kalt	
3,762,626	A	10/1973	Dorsey	

(Continued)

FOREIGN PATENT DOCUMENTS

EP 0143299 6/1985

(Continued)

OTHER PUBLICATIONS

Hmark, UnderGuard Tray Corners, 2006, p. 19, US.

*Primary Examiner*—Cathron C Brooks

*Assistant Examiner*—Barbara Fox

(74) *Attorney, Agent, or Firm*—Trego, Hines & Ladenheim, PLLC

(57) **CLAIM**

I claim the ornamental design for a corner protector, as shown and described.

**DESCRIPTION**

FIG. 1 is a perspective view of a corner protector, showing my design;

FIG. 2 is a top view of the corner protector of FIG. 1;

FIG. 3 is a bottom view of the corner protector of FIG. 1;

FIG. 4 is a front elevation view of the corner protector of FIG. 1;

FIG. 5 is a rear elevation view of the corner protector of FIG. 1;

FIG. 6 is a left elevation view of the corner protector of FIG. 1;

FIG. 7 is a right elevation view of the corner protector of FIG. 1;

FIG. 8 is a perspective view of another embodiment of the corner protector, showing my design;

FIG. 9 is a top view of the corner protector of FIG. 8;

FIG. 10 is a bottom view of the corner protector of FIG. 8;

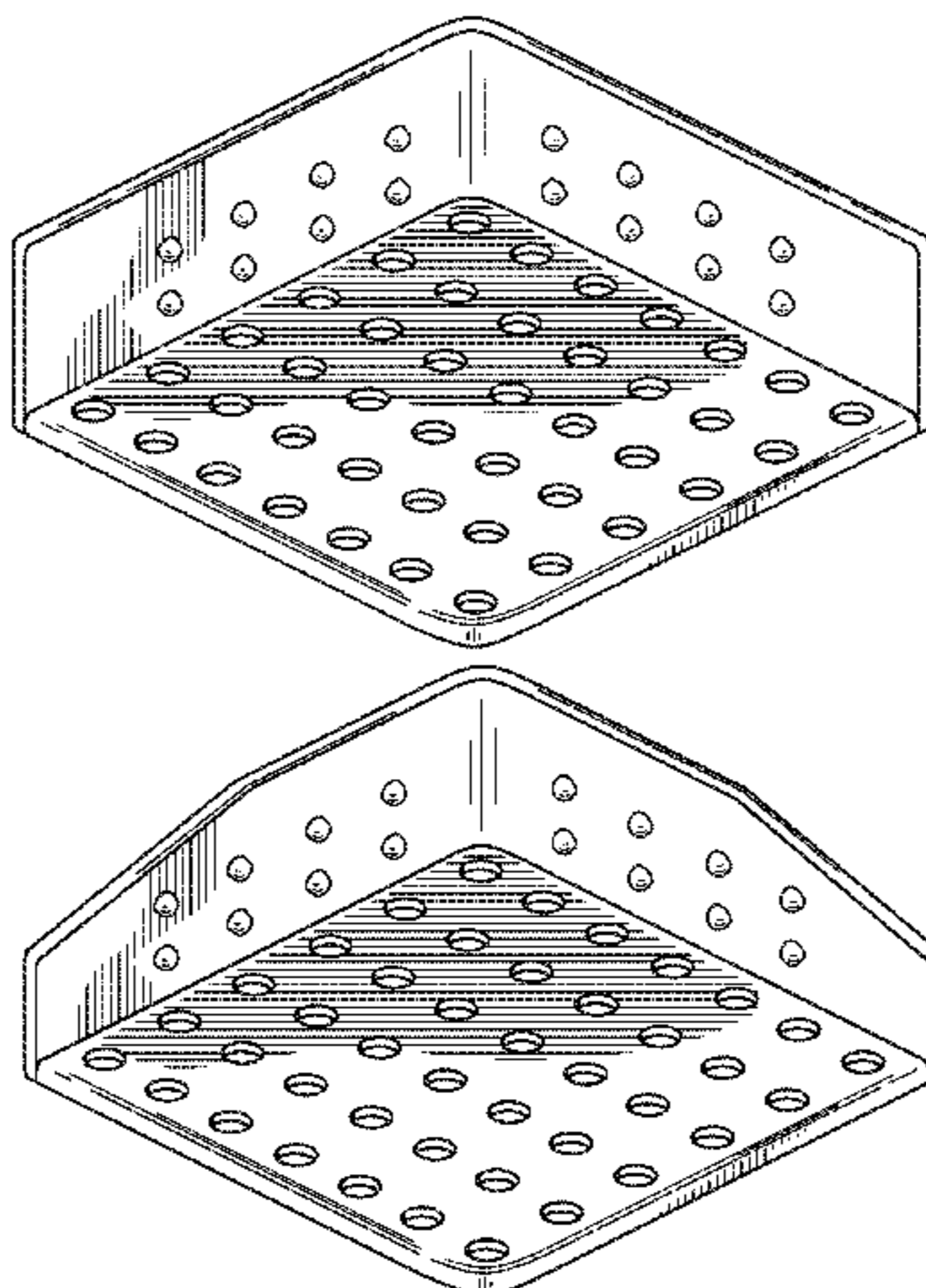
FIG. 11 is a front elevation view of the corner protector of FIG. 8;

FIG. 12 is a rear elevation view of the corner protector of FIG. 8;

FIG. 13 is a left elevation view of the corner protector of FIG. 8; and,

FIG. 14 is a right elevation view of the corner protector of FIG. 8.

**1 Claim, 8 Drawing Sheets**



# US D618,995 S

Page 2

## U.S. PATENT DOCUMENTS

3,822,036	A	7/1974	Goodsite	
3,843,038	A	10/1974	Sax	
3,870,152	A	3/1975	Kaplan	
3,955,677	A	5/1976	Collingwood	
3,960,354	A	6/1976	Simikoski	
3,975,564	A	8/1976	Jones	
3,994,433	A	11/1976	Jenkins et al.	
4,072,231	A	2/1978	Helms	
D249,314	S	9/1978	Wilde et al.	
D253,506	S	11/1979	Vigue	
D260,590	S	9/1981	Hobson	
4,287,265	A	9/1981	McKnight	
4,496,054	A	1/1985	Koltun	
4,529,091	A	7/1985	Martin	
D287,446	S	12/1986	Cowle	
4,742,916	A	5/1988	Galea	
4,838,427	A	6/1989	Hurley	
4,851,286	A	7/1989	Maurice	
4,852,744	A	8/1989	Van Breemen	
5,175,041	A	12/1992	Webb et al.	
5,297,682	A	3/1994	Miltenberger	
5,311,825	A	5/1994	Bonham	
5,370,229	A	12/1994	Kroeckel et al.	
D356,946	S	4/1995	Rekuc	
5,549,868	A	8/1996	Carlson, II	
D384,585	S	10/1997	Swarr	
5,749,512	A	5/1998	Gingras-Taylor	
5,772,037	A	6/1998	Hurley	
5,868,372	A *	2/1999	Novak et al. ....	248/346.11
D412,436	S *	8/1999	Tsui .....	D8/403
D416,476	S	11/1999	Engberg	

6,007,469	A	12/1999	Jaegers et al.	
6,039,184	A	3/2000	Gale	
6,103,335	A	8/2000	Zoller et al.	
6,202,848	B1 *	3/2001	Tindoll et al. ....	206/522
D454,371	S *	3/2002	Goodman et al. ....	D19/92
6,368,694	B1	4/2002	Marsh et al.	
6,440,375	B1	8/2002	Davis et al.	
6,470,637	B2	10/2002	Gratz	
6,478,354	B1	11/2002	Eyal	
D475,613	S *	6/2003	Mullane .....	D8/499
6,629,608	B2	10/2003	Hurley et al.	
6,776,380	B1	8/2004	Kirk, Jr. et al.	
6,840,372	B2	1/2005	Giles et al.	
6,902,712	B2	6/2005	Davis	
D518,526	S *	4/2006	Benn .....	D19/90
D537,337	S *	2/2007	Brockington et al. ....	D8/499
D560,485	S *	1/2008	Lavelle .....	D8/402
D573,013	S *	7/2008	Lavelle .....	D8/403
7,413,157	B2	8/2008	Curnow et al.	
7,422,185	B2 *	9/2008	Curnow et al. ....	248/345.1
D598,756	S *	8/2009	Robichaud et al. ....	D9/456
D602,350	S *	10/2009	Lavelle .....	D8/403
2005/0244316	A1	11/2005	Davis	
2006/0000745	A1	1/2006	Seelye et al.	
2006/0243636	A1	11/2006	Robichaud et al.	
2007/0251855	A1 *	11/2007	Curnow et al. ....	206/586

## FOREIGN PATENT DOCUMENTS

EP	1357056	10/2003
WO	9410058	5/1994
WO	2007019233	2/2007

\* cited by examiner

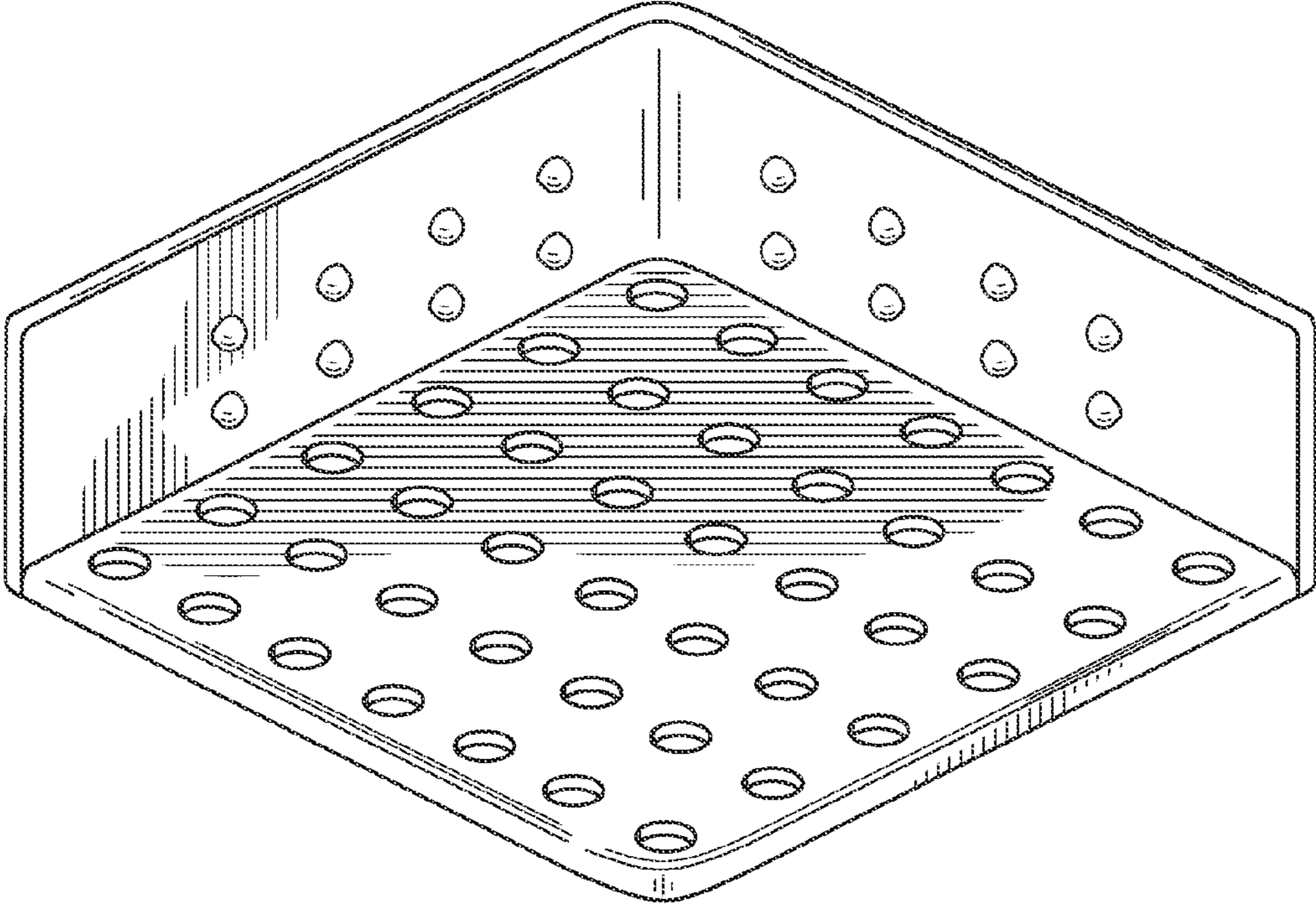


Fig. 1

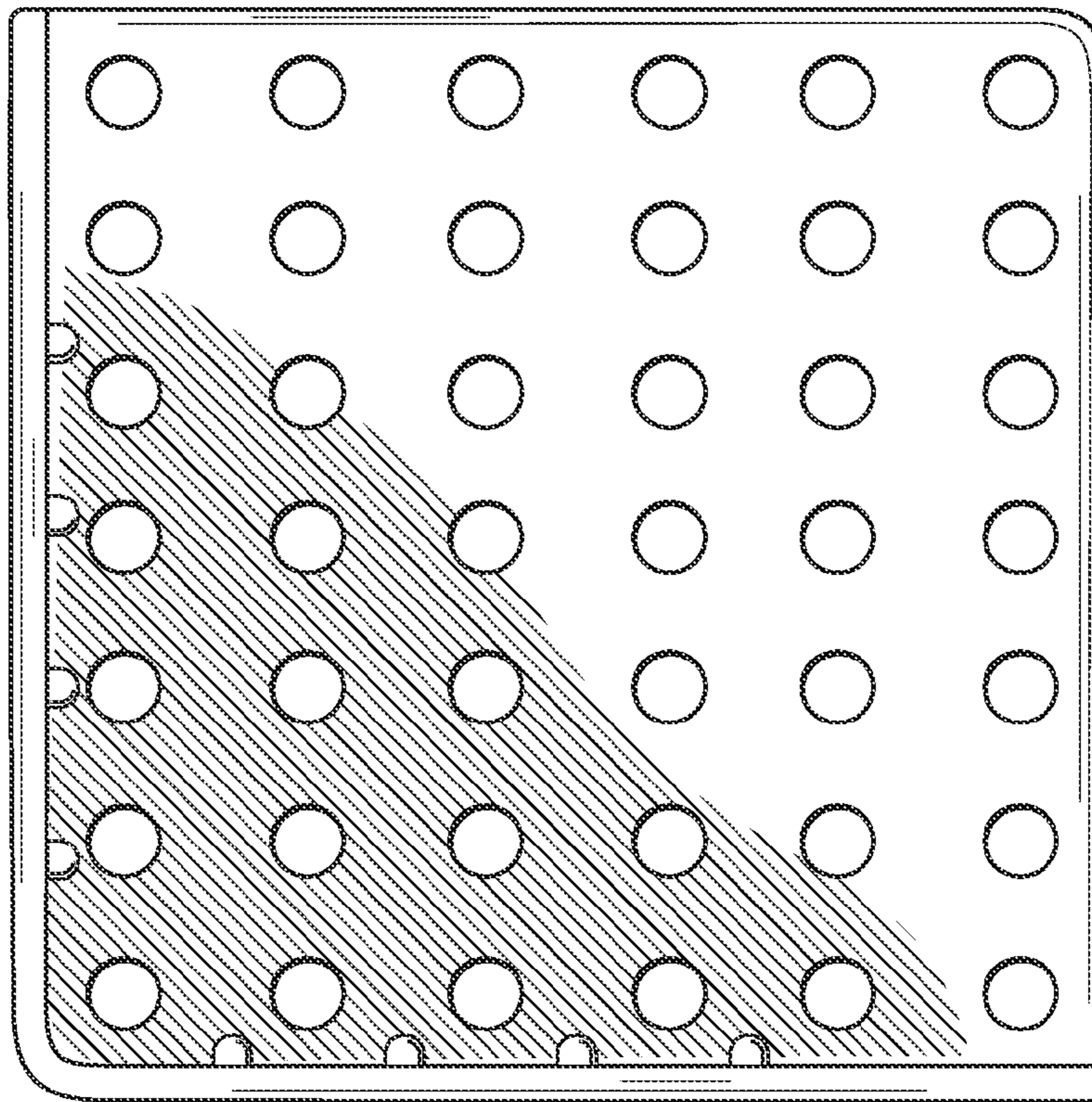


Fig. 2

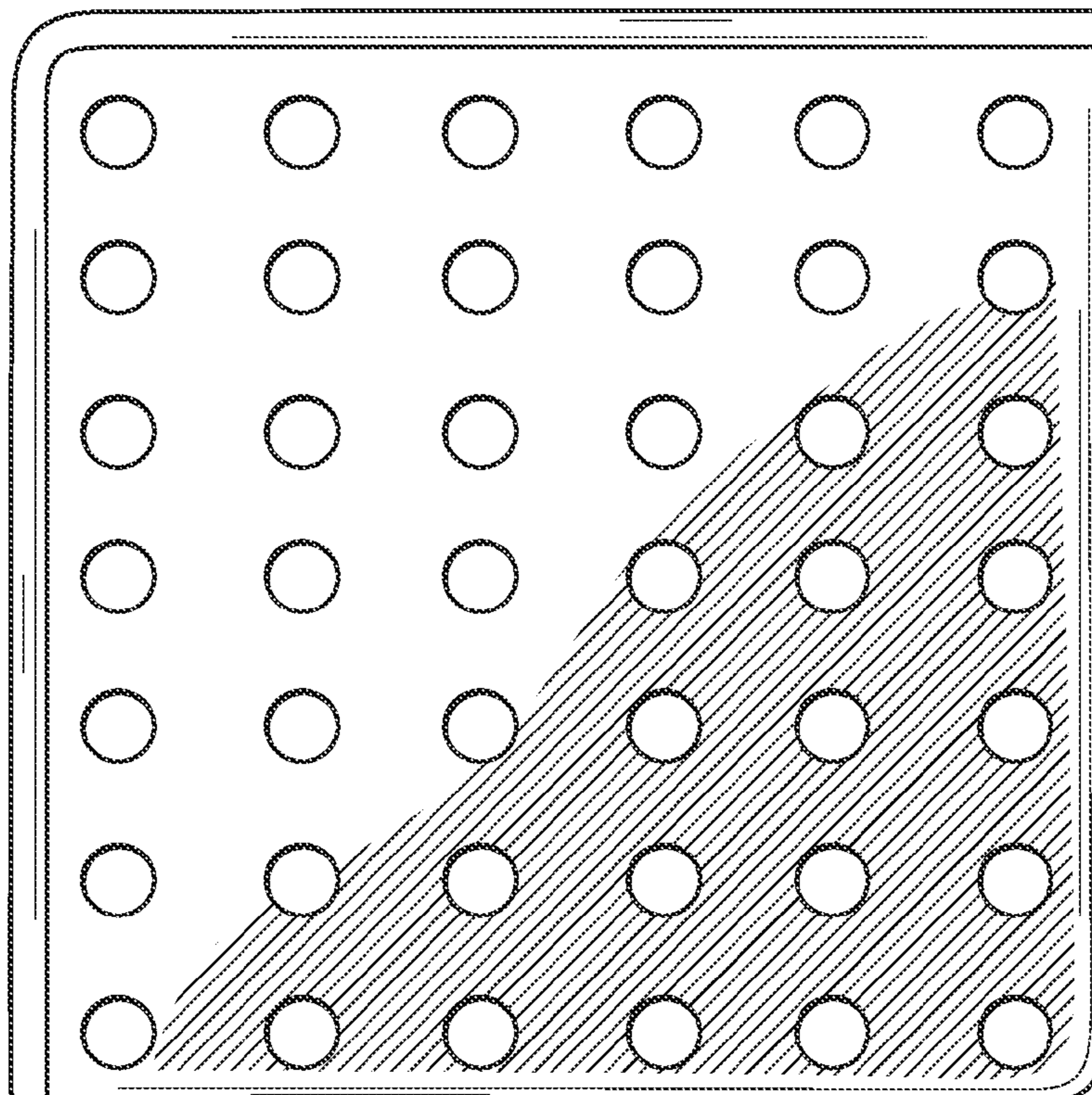


Fig. 3

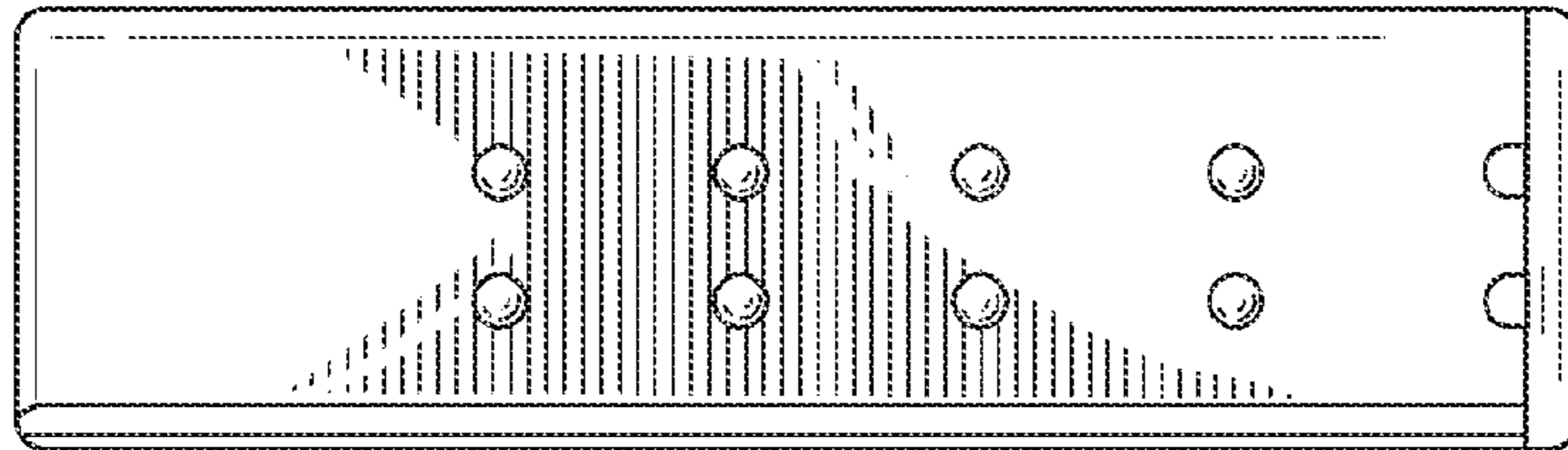


Fig. 4

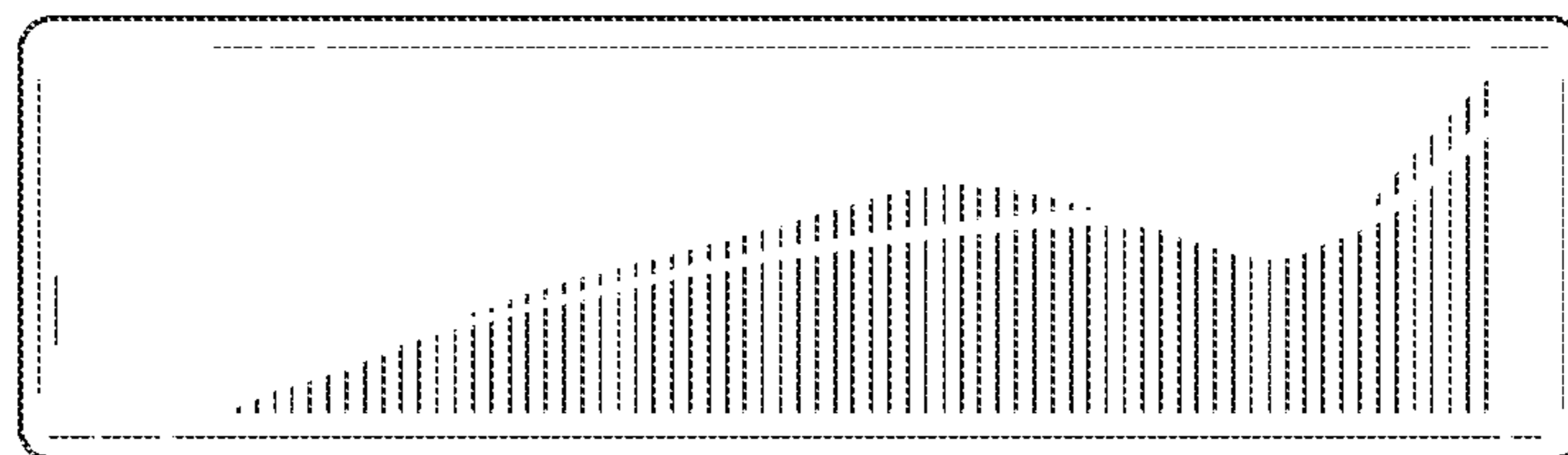


Fig. 5

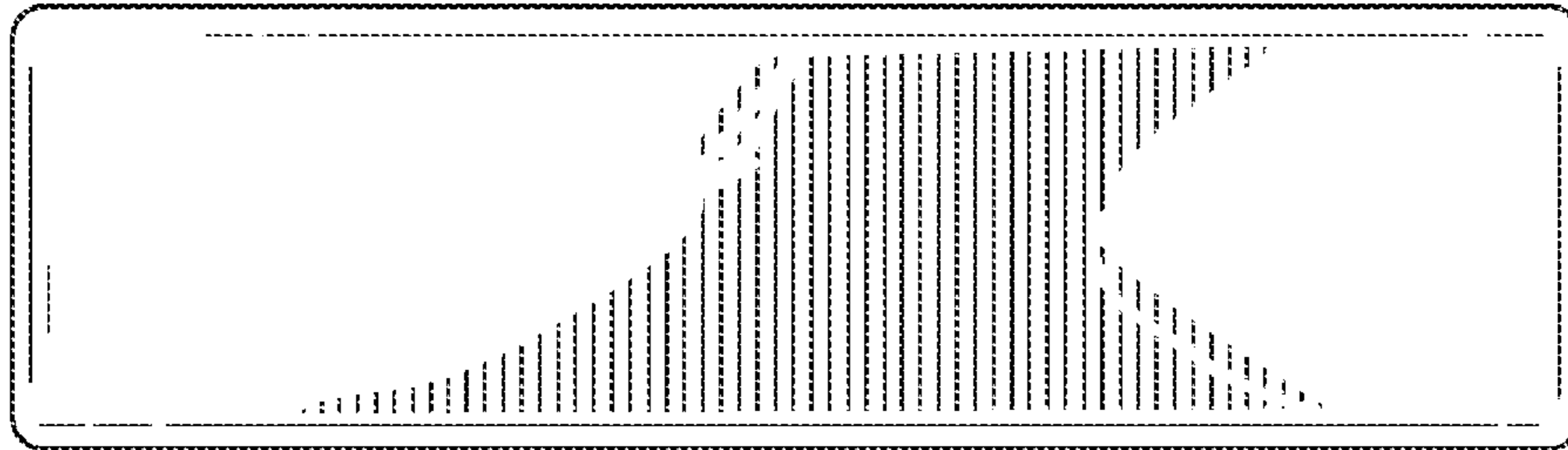


Fig. 6

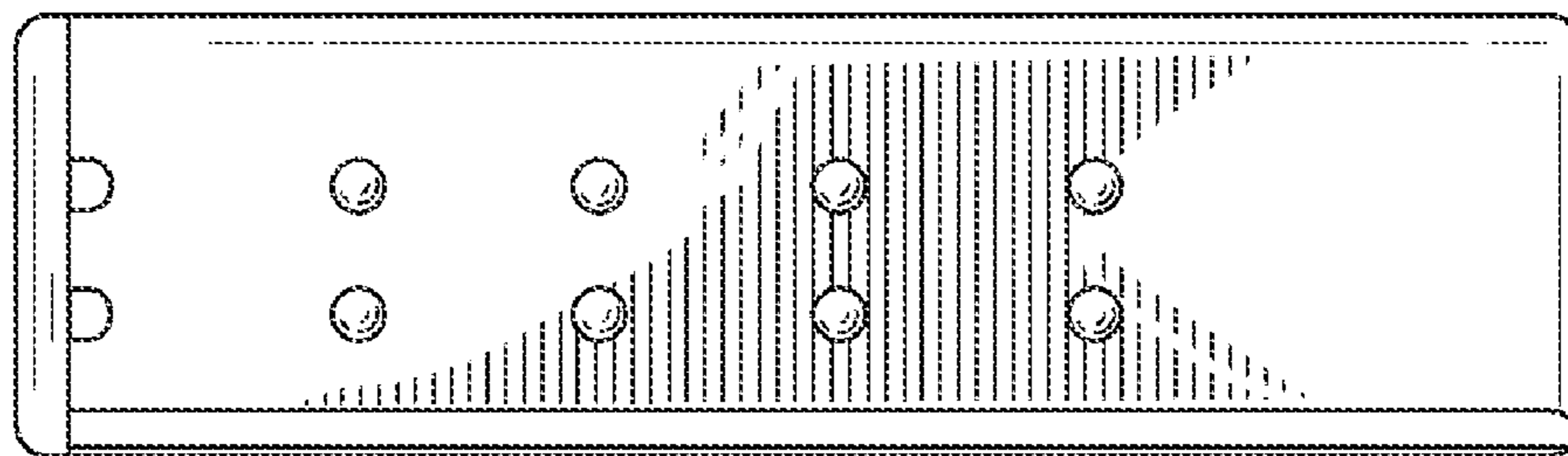


Fig. 7

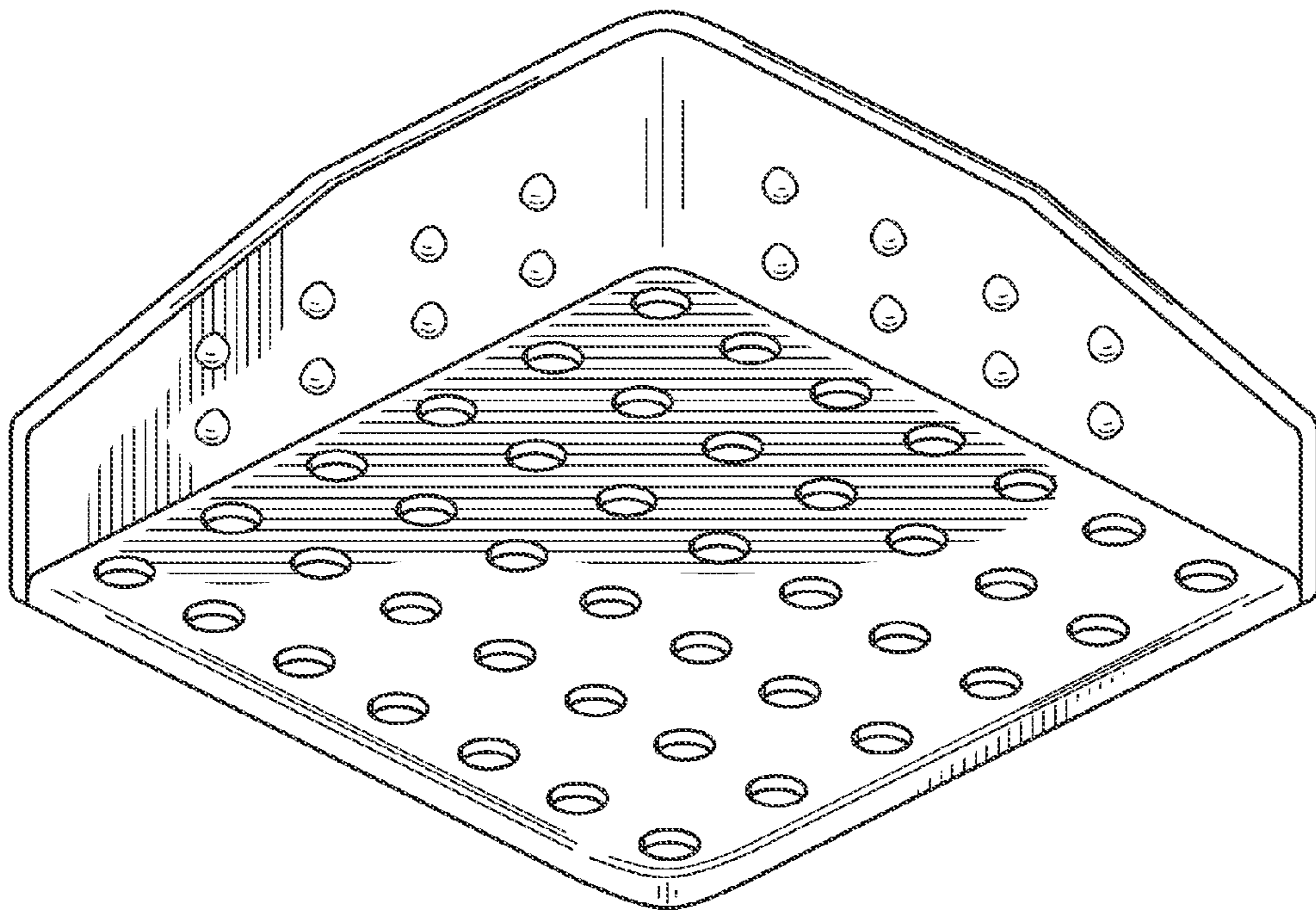


Fig. 8

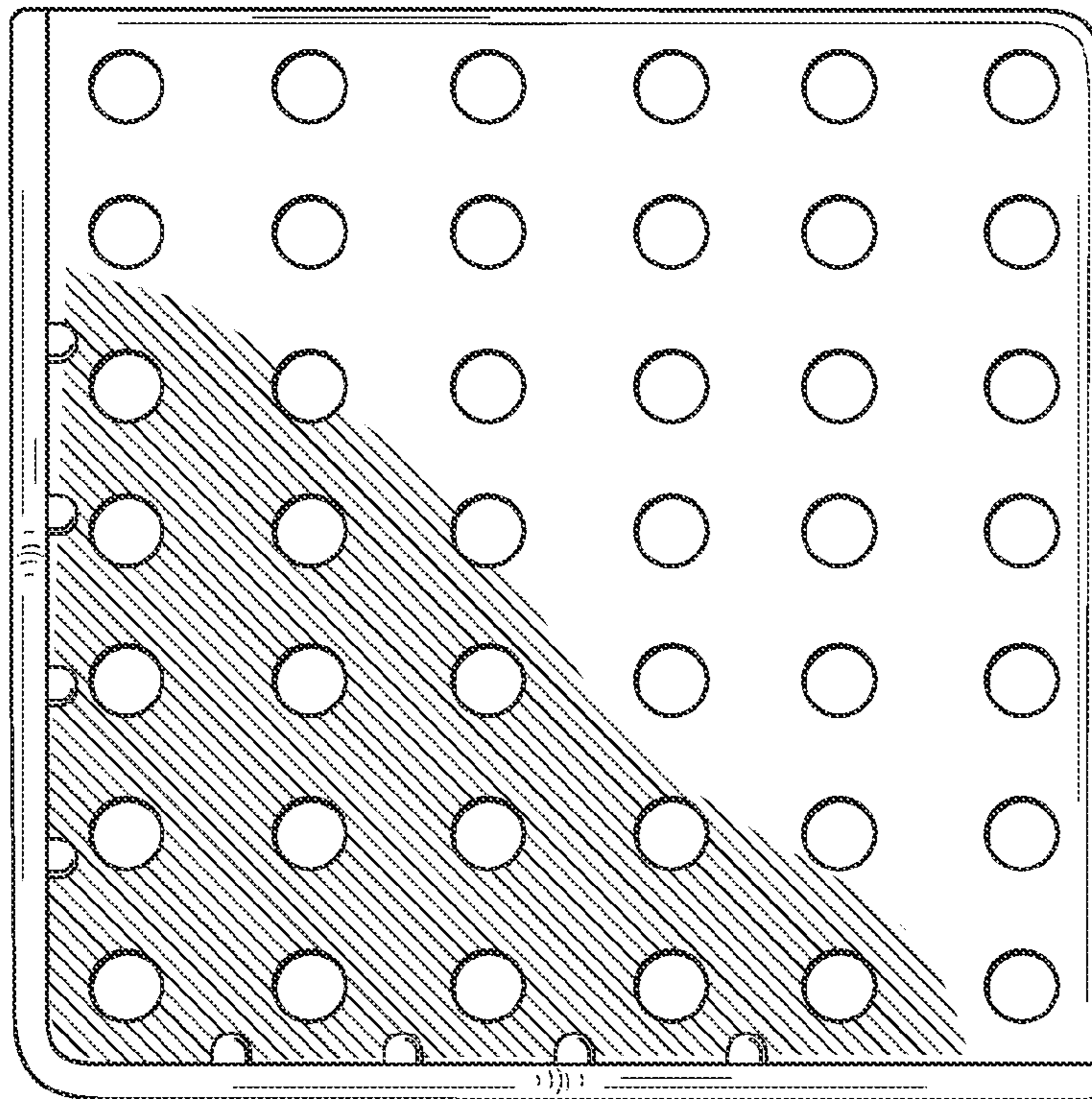


Fig. 9

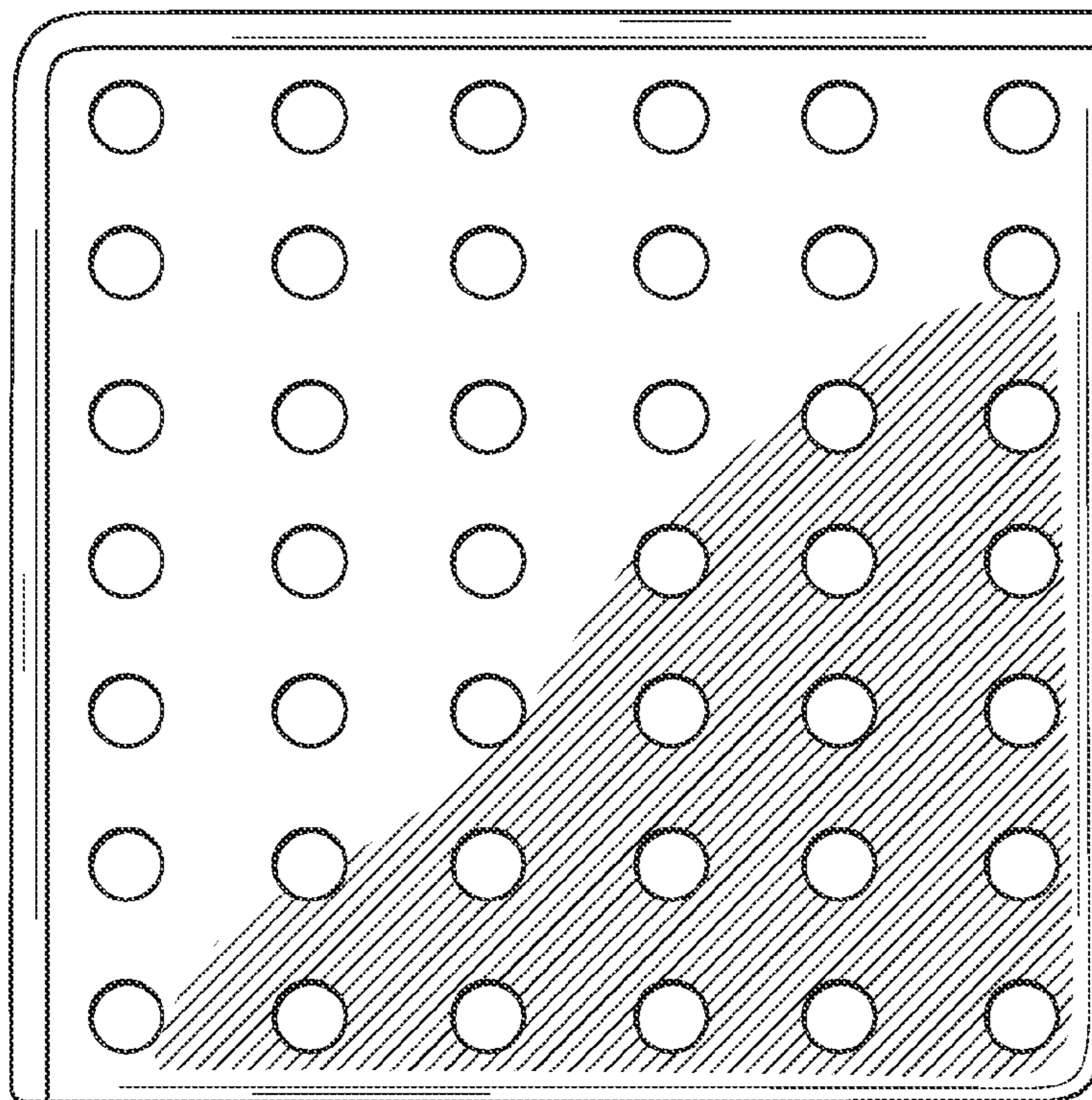


Fig. 10



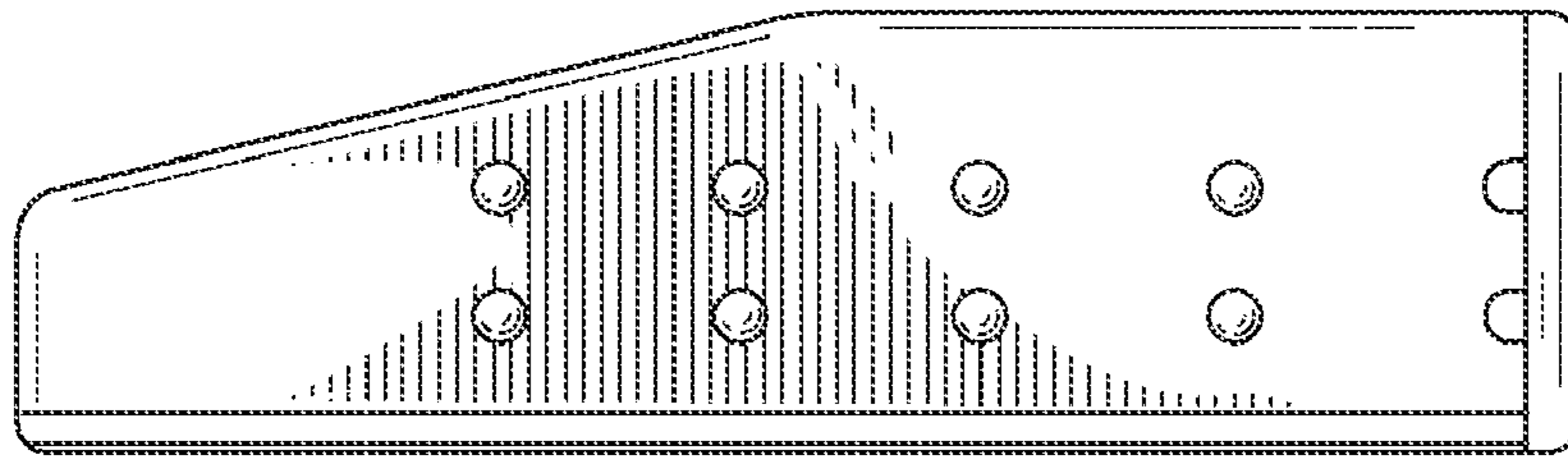


Fig. 11

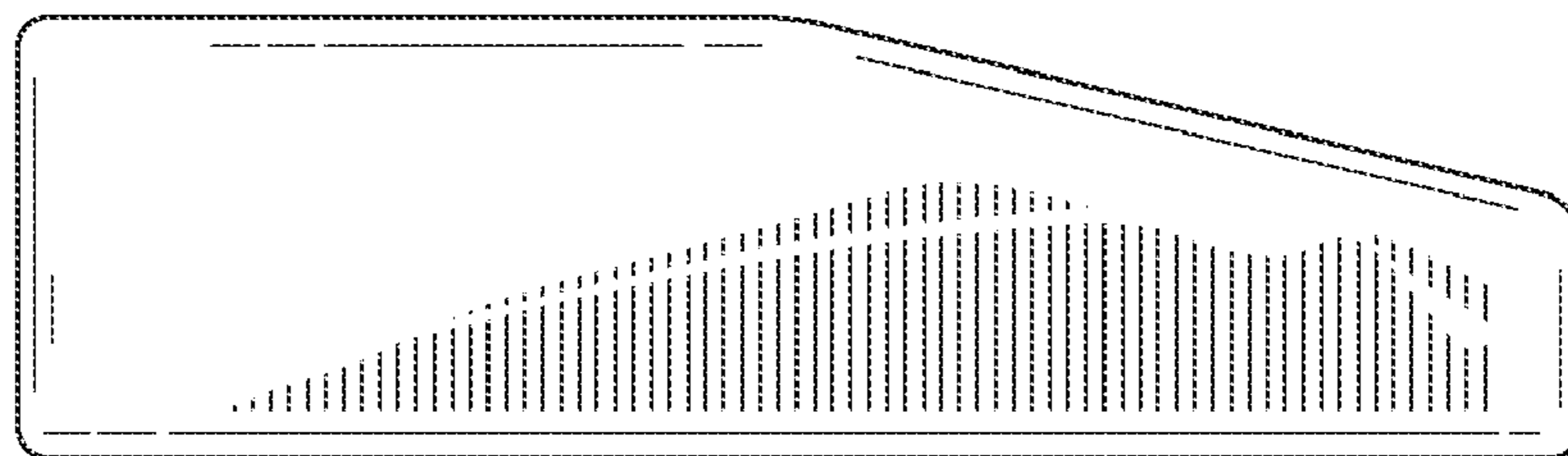


Fig. 12

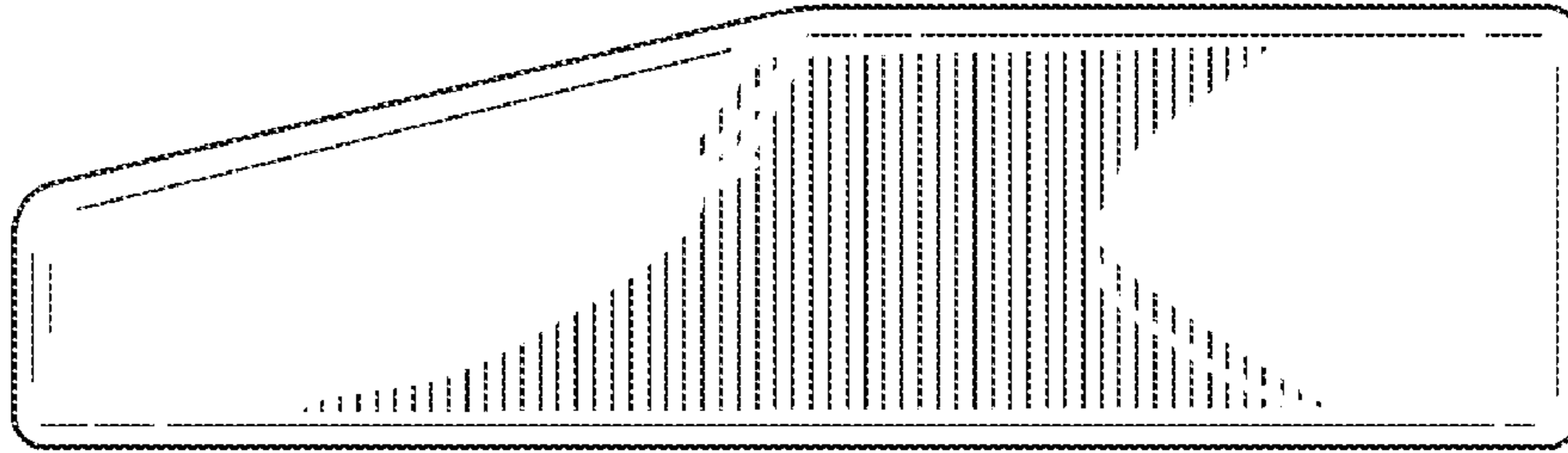


Fig. 13

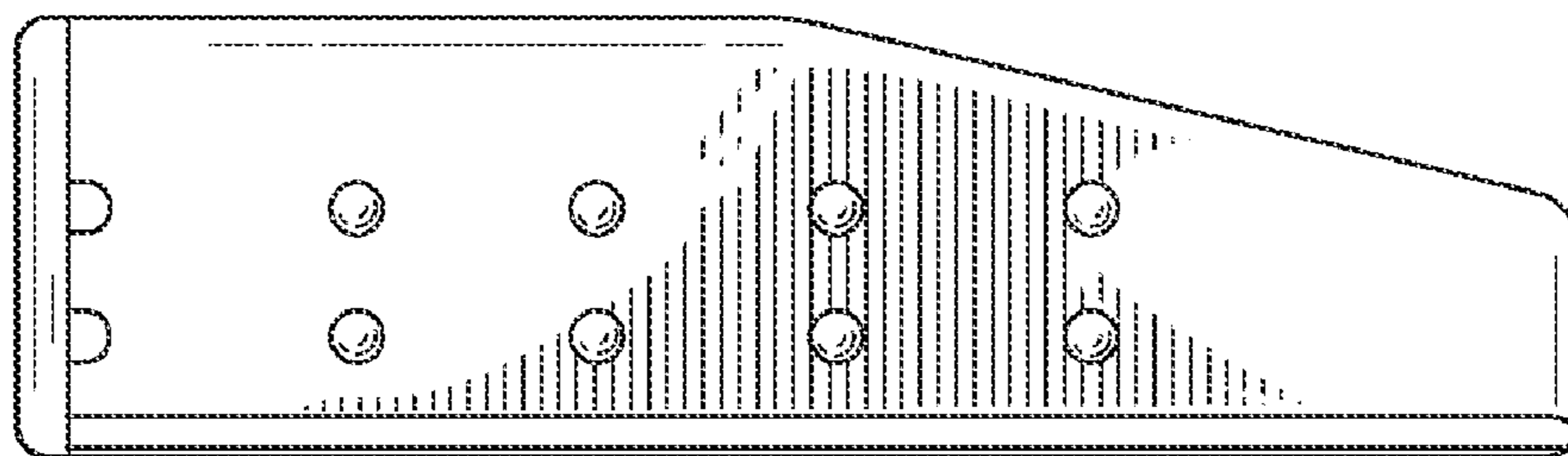


Fig. 14