



US00D618994S

(12) **United States Design Patent**
Suzuki

(10) **Patent No.:** **US D618,994 S**

(45) **Date of Patent:** **** Jul. 6, 2010**

(54) **LUG NUT SHELL**

(75) Inventor: **Toshihide Suzuki**, Hamamatsu (JP)

(73) Assignee: **Yamaha Corporation**, Hamamatsu-shi (JP)

(**) Term: **14 Years**

(21) Appl. No.: **29/306,474**

(22) Filed: **Apr. 10, 2008**

(30) **Foreign Application Priority Data**

Nov. 20, 2007 (JP) 2007-031895

(51) **LOC (9) Cl.** **08-08**

(52) **U.S. Cl.** **D8/397; D7/387**

(58) **Field of Classification Search** D8/397,
D8/330, 394, 382, 349, 396, 72, 71, 14; 411/106;
24/489, 504; 248/317; D24/128; 294/116;
D15/138

See application file for complete search history.

(56) **References Cited**

U.S. PATENT DOCUMENTS

D23,176 S *	4/1894	Bidle	D9/439
D33,373 S *	10/1900	Bidle	D8/367
D268,323 S *	3/1983	Schaumloffel	D8/397
D280,598 S *	9/1985	Serfas et al.	D8/397
D286,979 S *	12/1986	Bethea	D8/397
D290,339 S *	6/1987	Lowery	D8/354
D304,993 S *	12/1989	Sunila	D8/107
D456,668 S *	5/2002	Tse	D7/387

D485,480 S *	1/2004	Rushe	D8/71
6,672,547 B1 *	1/2004	Westerberg et al.	248/74.1
D495,938 S *	9/2004	Huebner et al.	D8/51
D510,858 S *	10/2005	Onishi	D8/397
D572,593 S *	7/2008	Adler et al.	D9/521

* cited by examiner

Primary Examiner—Robert M Spear

Assistant Examiner—Cynthia Underwood

(74) *Attorney, Agent, or Firm*—Sughrue Mion, PLLC

(57) **CLAIM**

The ornamental design for a lug nut shell, as shown and described.

DESCRIPTION

FIG. 1 is a perspective view of the lug nut shell of the present invention;

FIG. 2 is a front view thereof;

FIG. 3 is a rear view thereof;

FIG. 4 is a first side view thereof;

FIG. 5 is a second side view thereof;

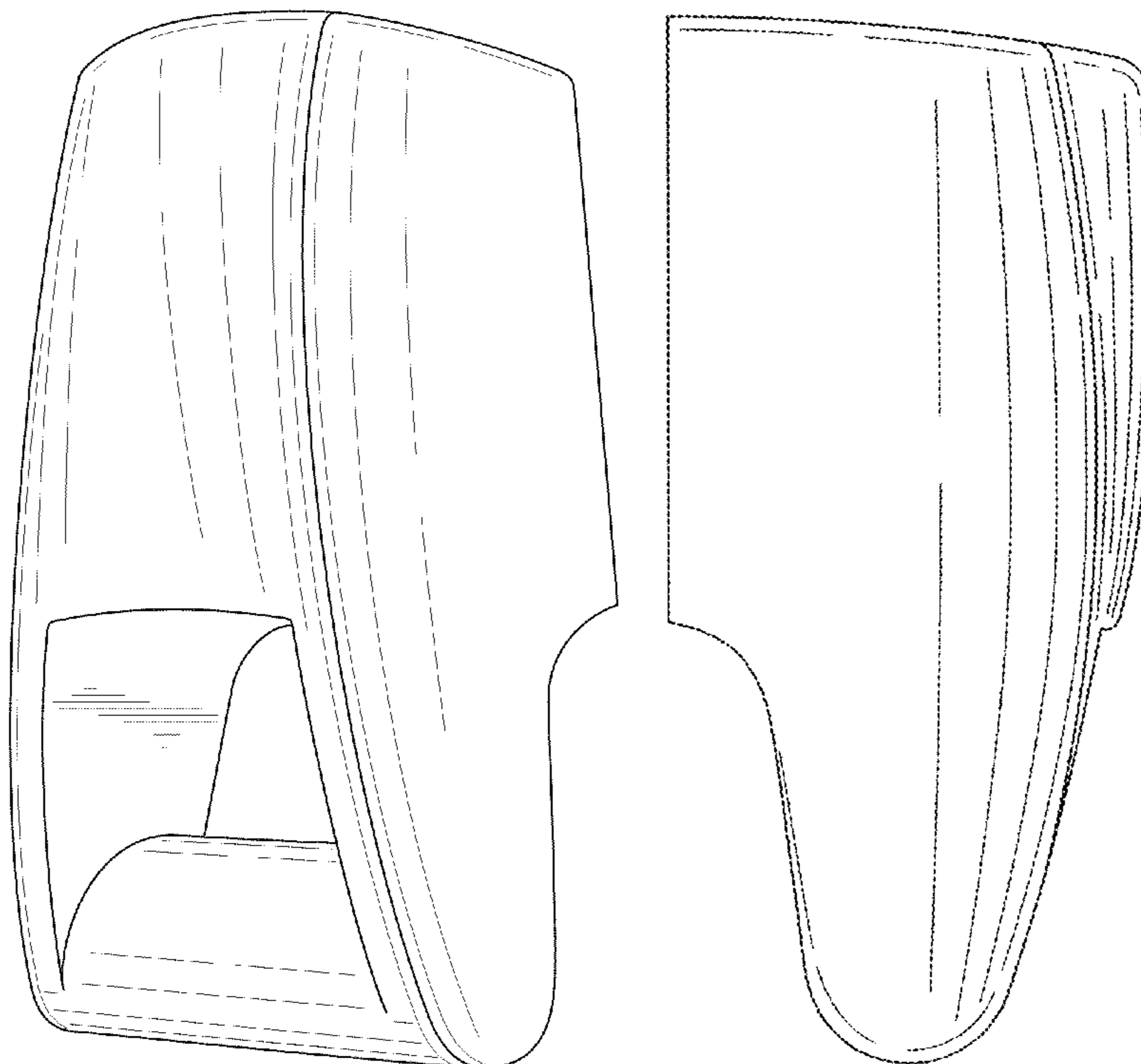
FIG. 6 is a first end view thereof;

FIG. 7 is a second end view thereof; and,

FIG. 8 is a view showing the lug nut shell in its environment of use.

The broken lines shown in the drawings are for illustrative purposes only and form no part of the claimed design.

1 Claim, 5 Drawing Sheets



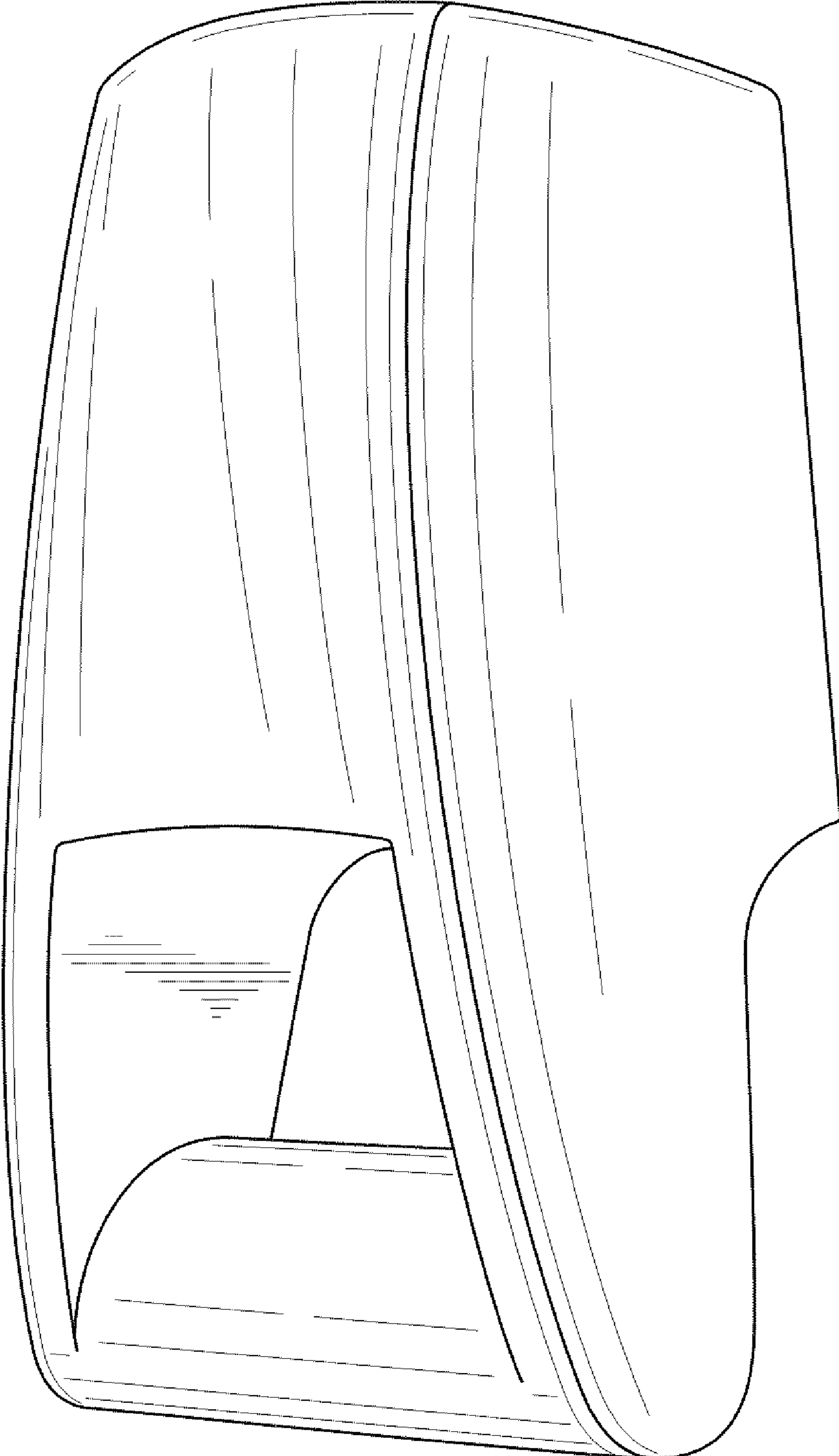


FIG. 1

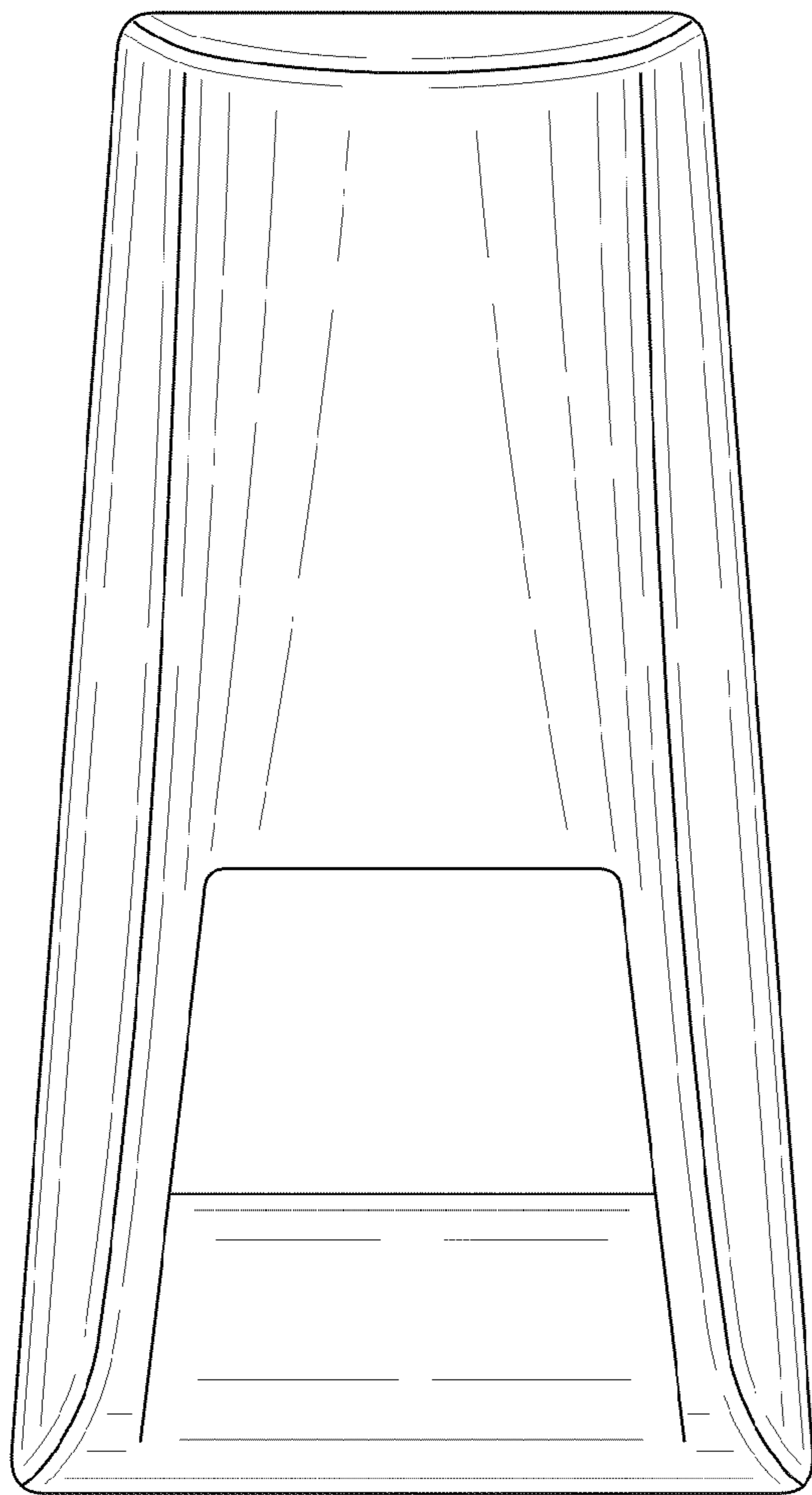


FIG. 2

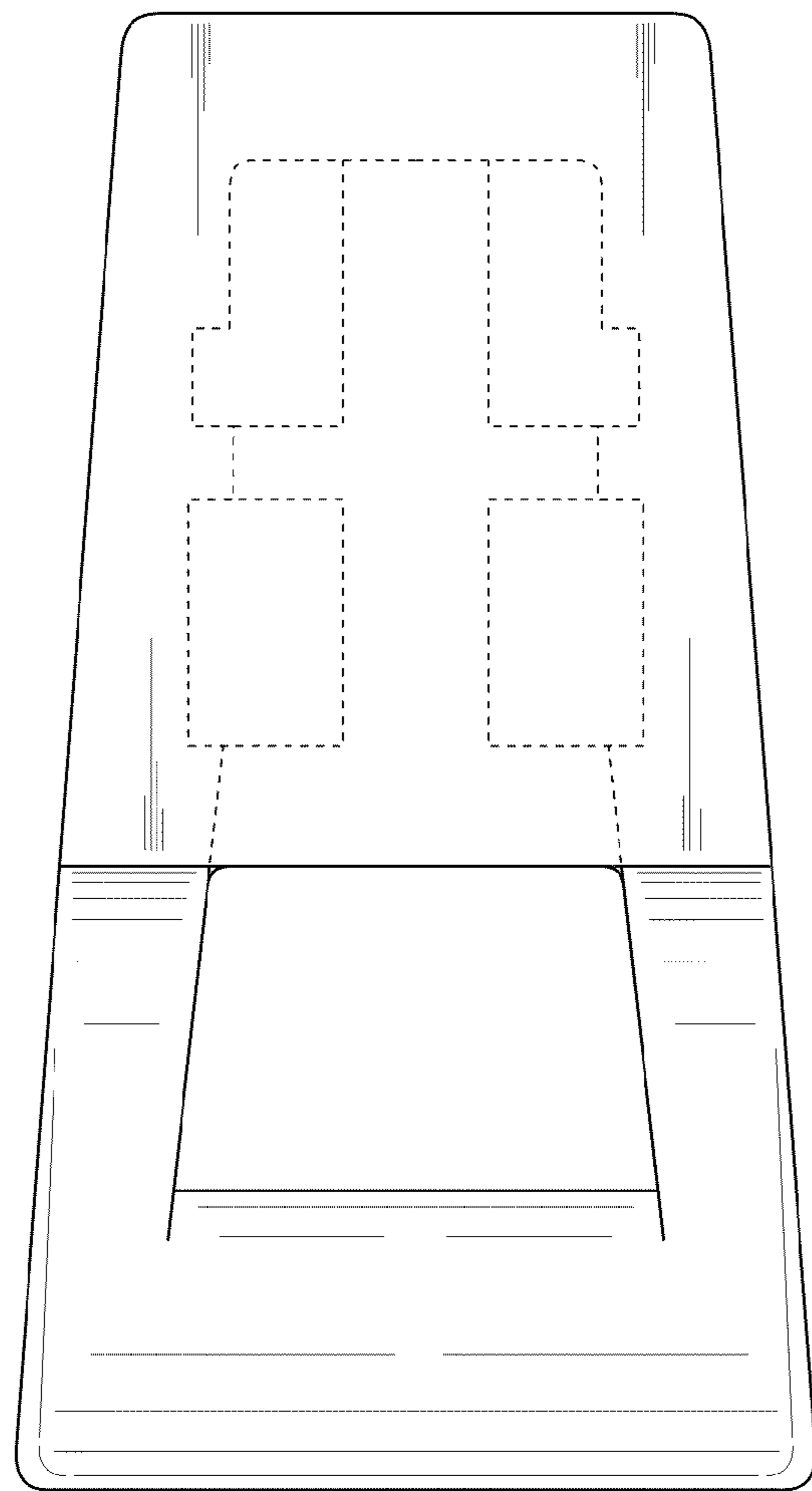


FIG. 3

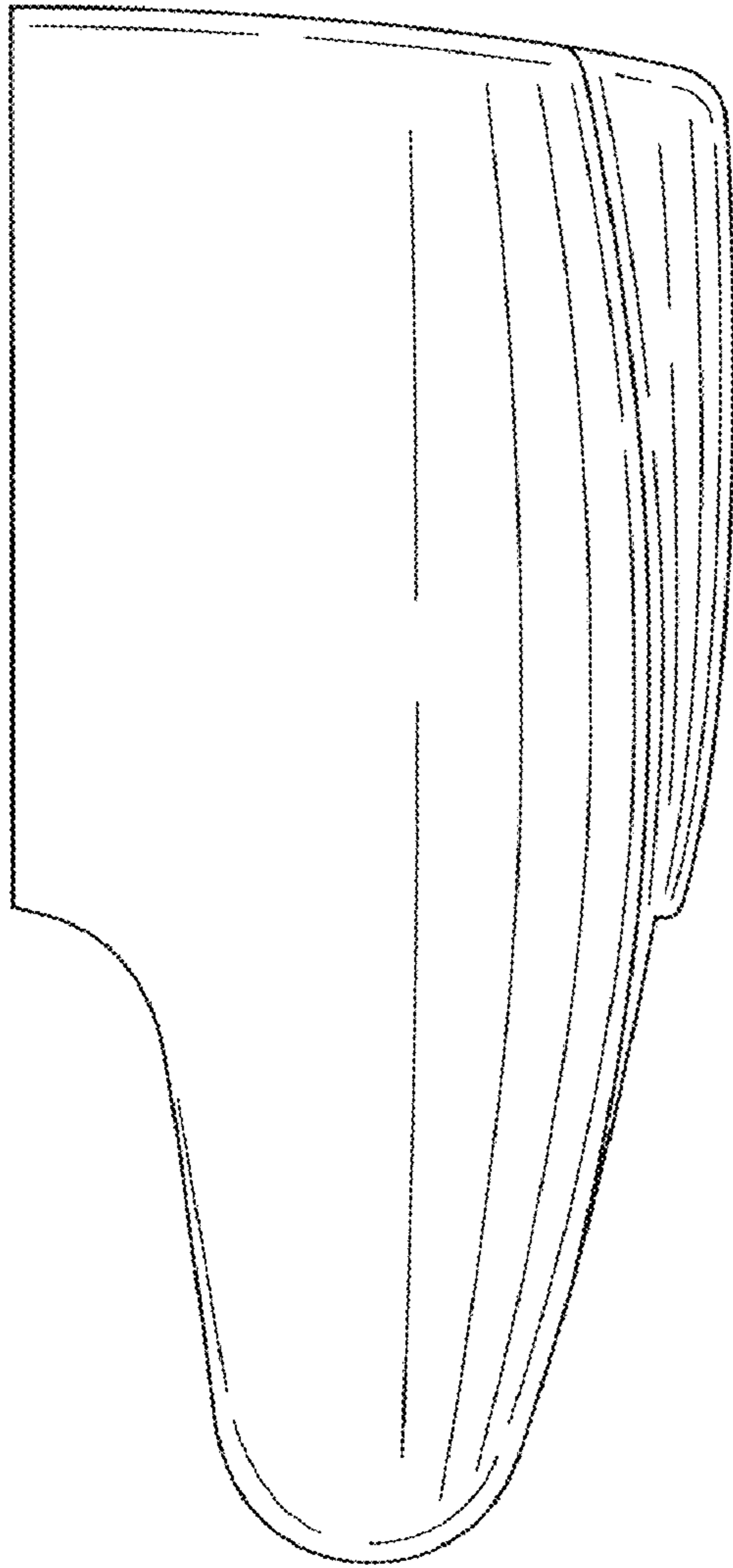


FIG. 4

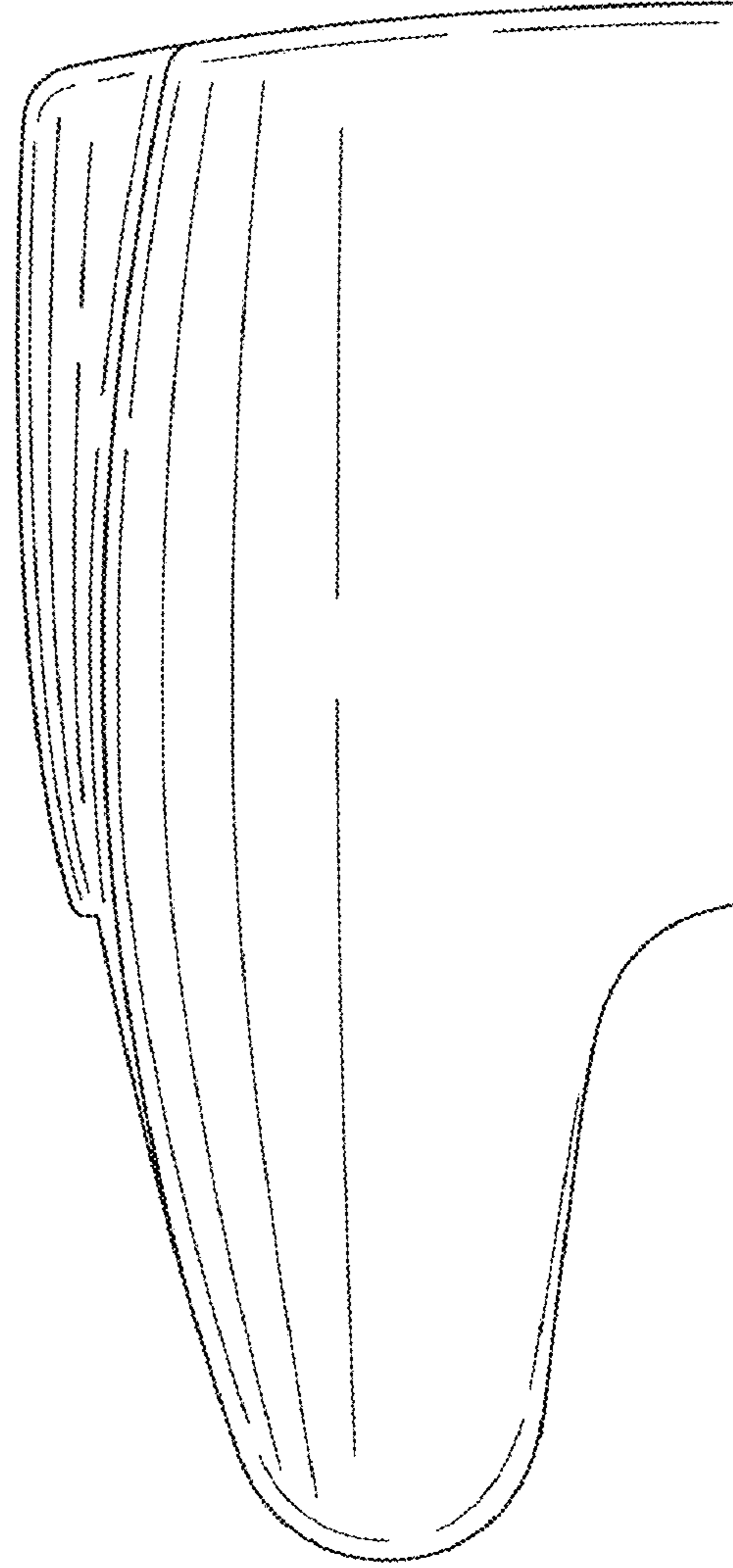


FIG. 5

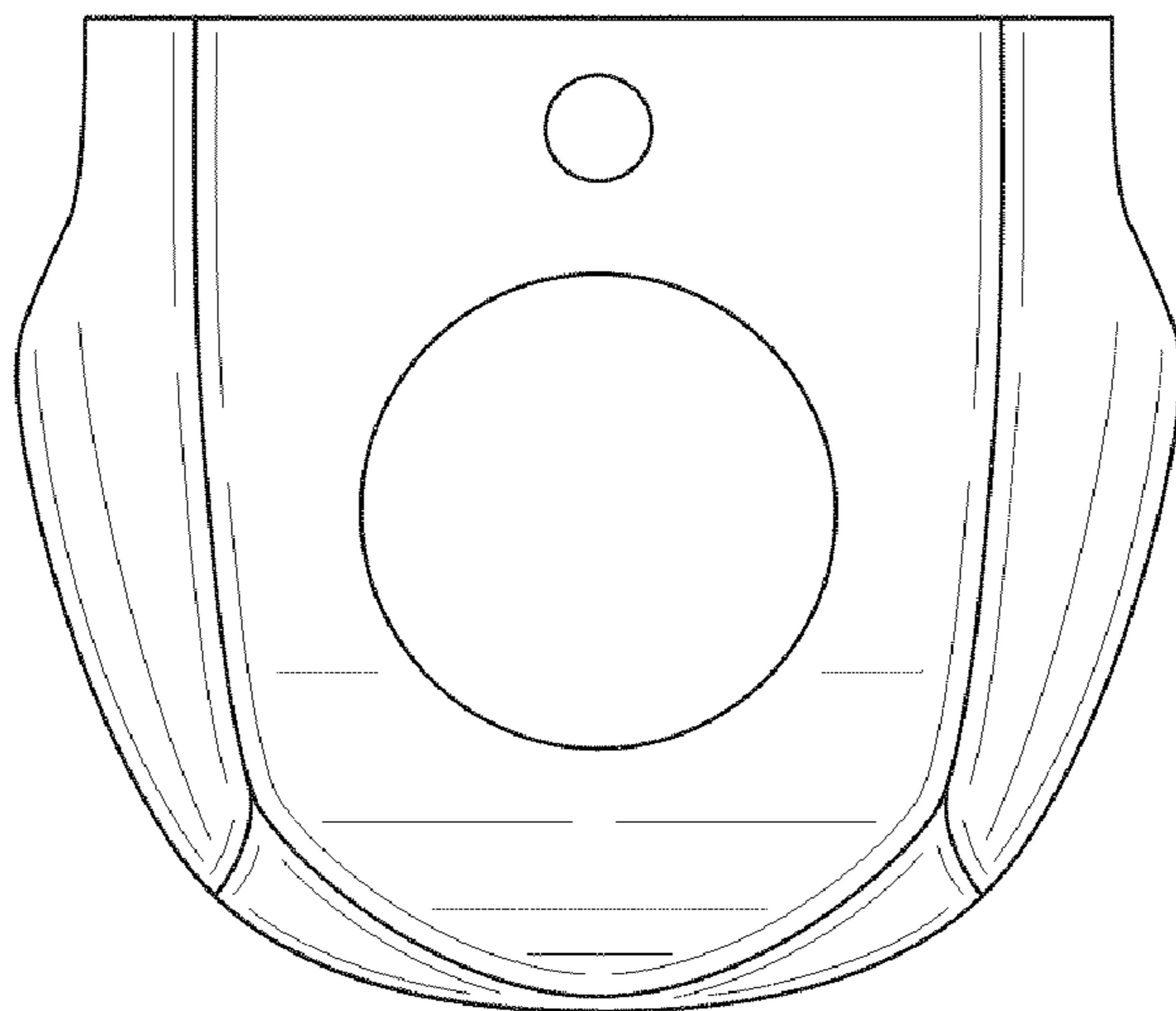


FIG. 6

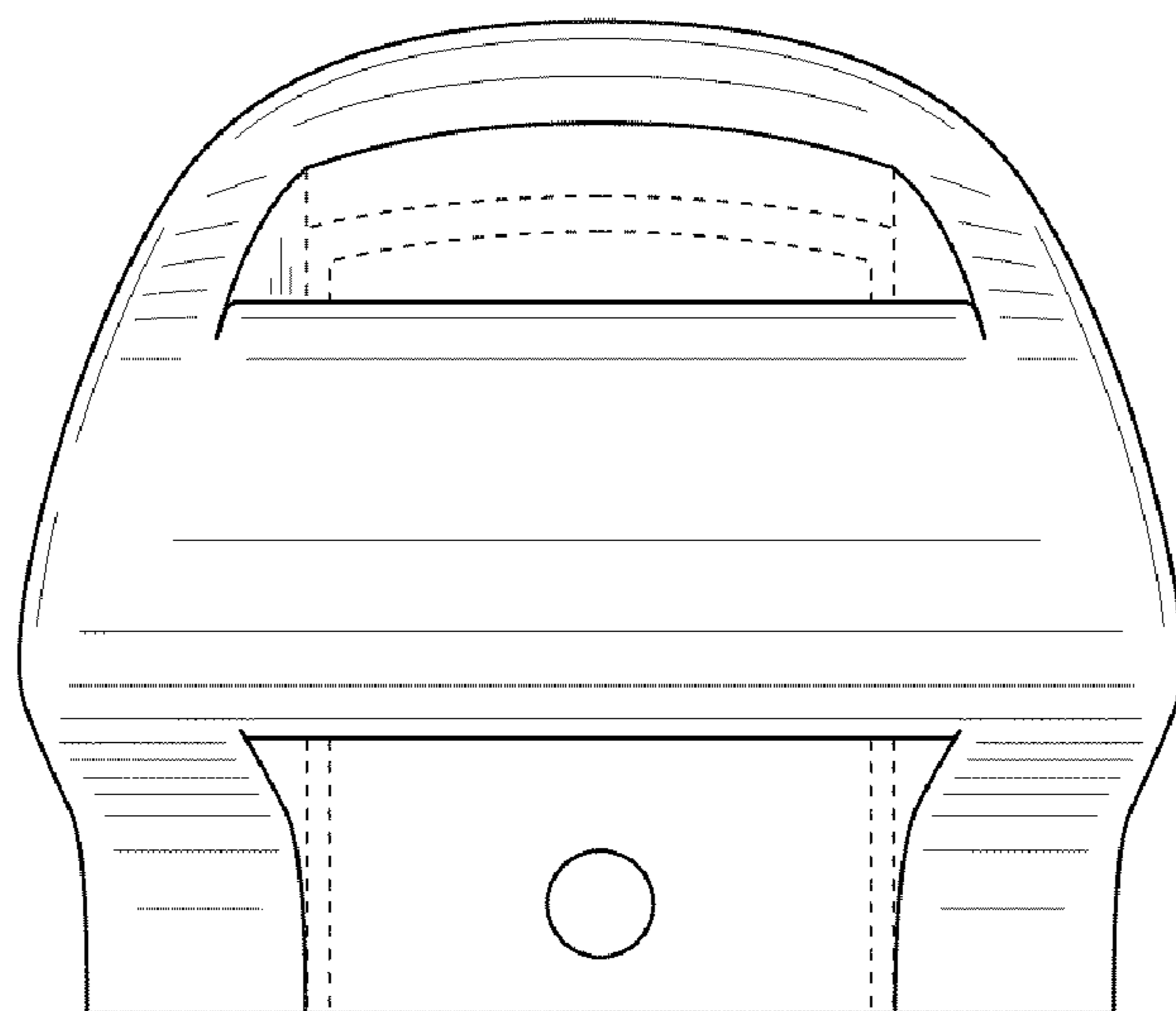


FIG. 7

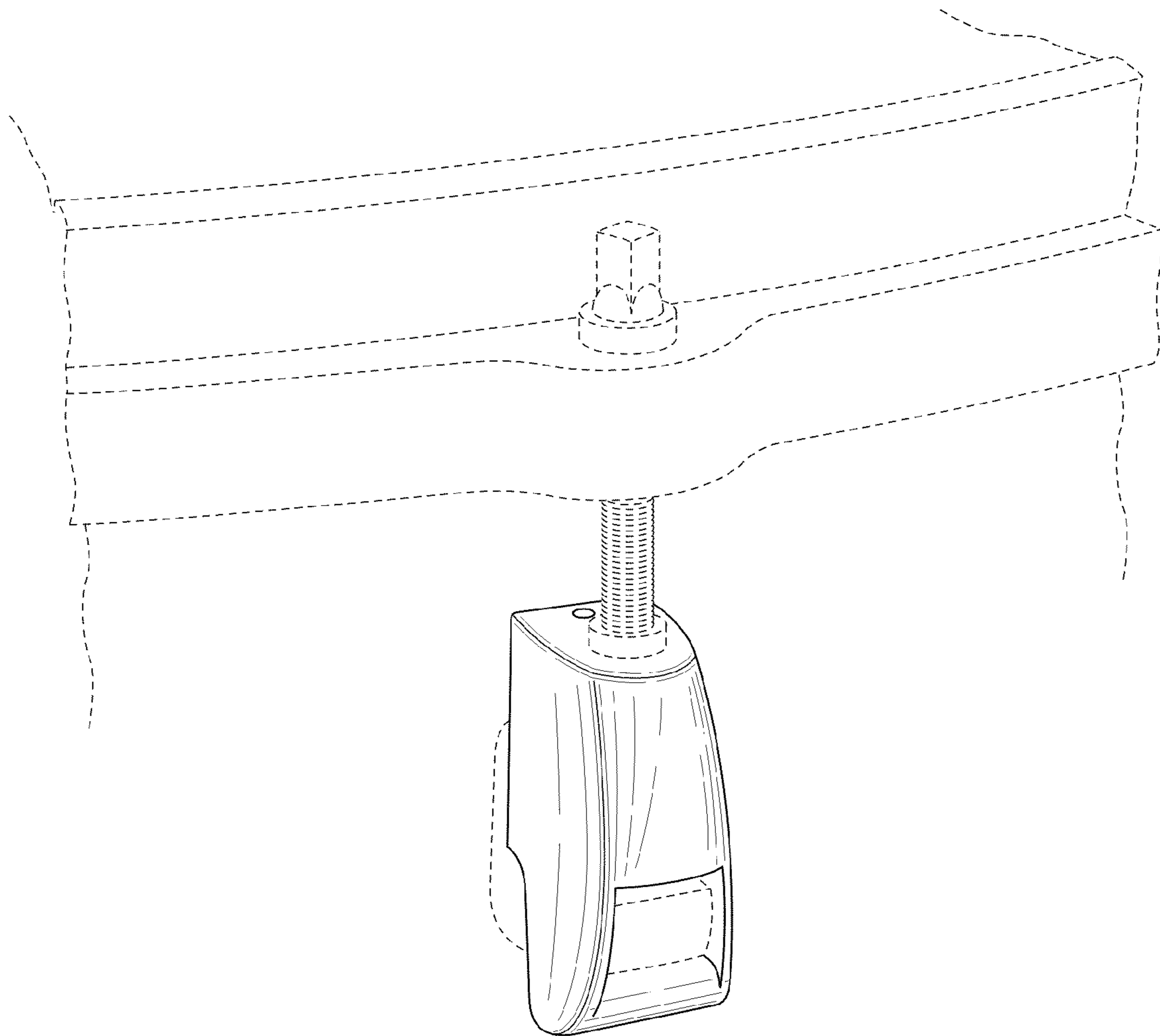


FIG. 8