



US00D618993S

(12) **United States Design Patent**  
**Reed**

(10) **Patent No.:** **US D618,993 S**

(45) **Date of Patent:** **\*\* Jul. 6, 2010**

(54) **TUBE HOLDER**

2008/0222902 A1\* 9/2008 Bisceglia ..... 30/541

(76) Inventor: **Charles R. Reed**, 62883 Country Rd. 7,  
Elkhart, IN (US) 48814

\* cited by examiner

(\*) Notice: This patent is subject to a terminal disclaimer.

*Primary Examiner*—T. Chase Nelson  
*Assistant Examiner*—John Windmuller  
(74) *Attorney, Agent, or Firm*—Walter D. Ames, Esq.

(\*\*) Term: **14 Years**

(57) **CLAIM**

(21) Appl. No.: **29/253,028**

The ornamental design for a tube holder, as shown and described.

(22) Filed: **Feb. 1, 2006**

**DESCRIPTION**

(51) **LOC (9) Cl.** ..... **08-08**

(52) **U.S. Cl.** ..... **D8/395**; D8/396

(58) **Field of Classification Search** ..... D8/356,  
D8/394–396, 371; D19/65; 24/570, 67.9;  
D32/60–64; D24/128; 248/74.2, 215, 227.1,  
248/49, 300, 301, 316.7, 51, 489; D9/434;  
222/538

See application file for complete search history.

FIG. 1 is a front elevation view of a tube holder showing my new design;

FIG. 2 is a right side elevation view thereof, the left side elevation view being identical;

FIG. 3 is a rear elevation view thereof;

FIG. 4 is a top plan view thereof, the bottom plan view being identical;

FIG. 5 is a sectional view taken at line 5—5 in FIG. 1; and,  
FIG. 6 is a perspective view thereof, showing its use in retaining a tube.

A bottom plan view of the holder is the same as the top plan view illustrated in FIG. 4. An elevational view from the other side of the tube holder is the same as that shown in FIG. 2.

The broken line showing of a tube in FIG. 6 depicts environment only and forms no part of the claimed design.

(56) **References Cited**

U.S. PATENT DOCUMENTS

- 4,401,156 A \* 8/1983 Wojtecki et al. .... 165/172
- 5,178,354 A \* 1/1993 Engvall ..... 248/316.7
- 5,820,095 A \* 10/1998 Stone ..... 248/316.7
- 6,533,108 B1 \* 3/2003 Ledingham ..... 198/841
- D517,913 S \* 3/2006 Mouyos ..... D9/434
- 2003/0052140 A1 \* 3/2003 Mouyos ..... 222/538

**1 Claim, 1 Drawing Sheet**



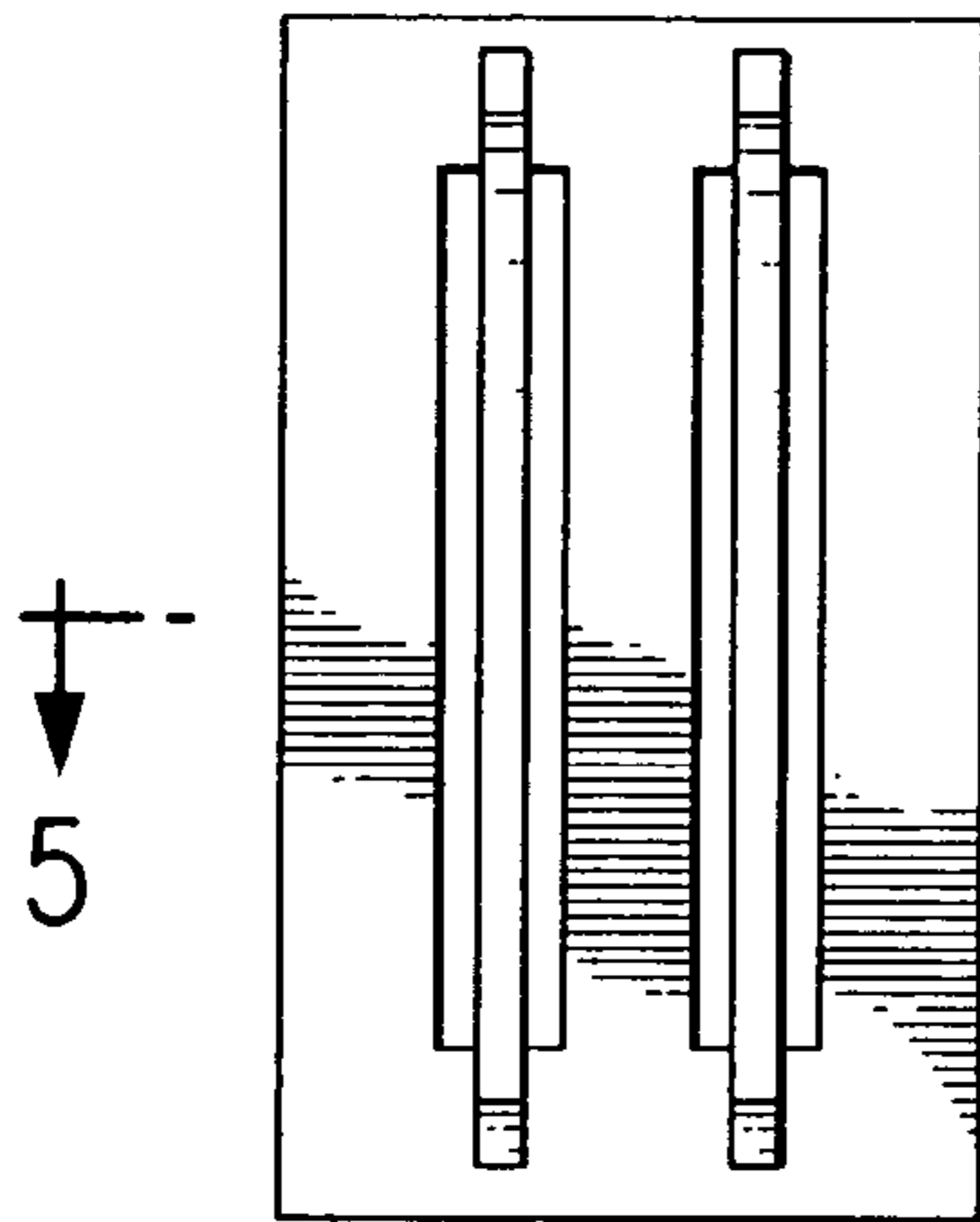


FIG. 1

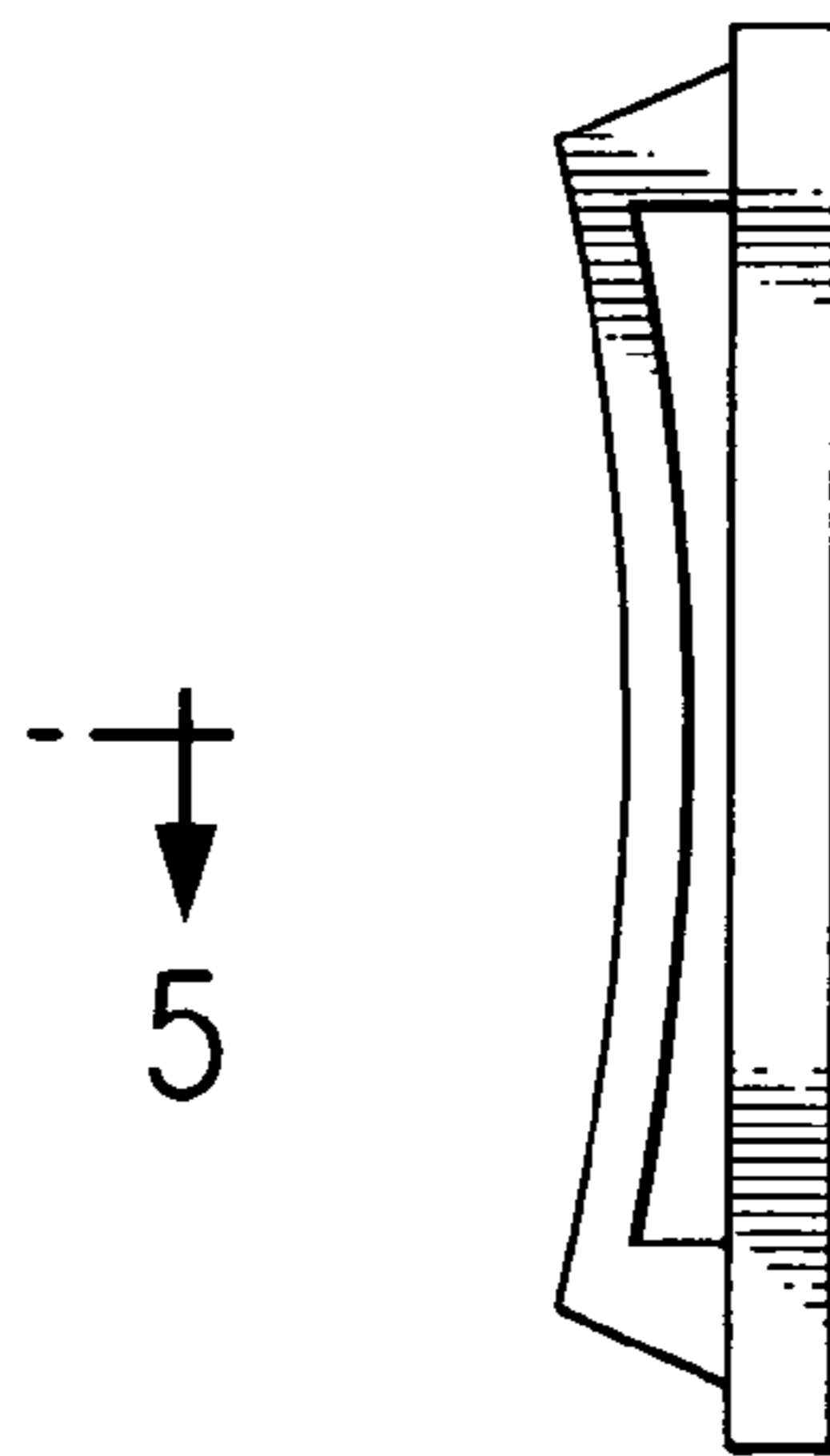


FIG. 2

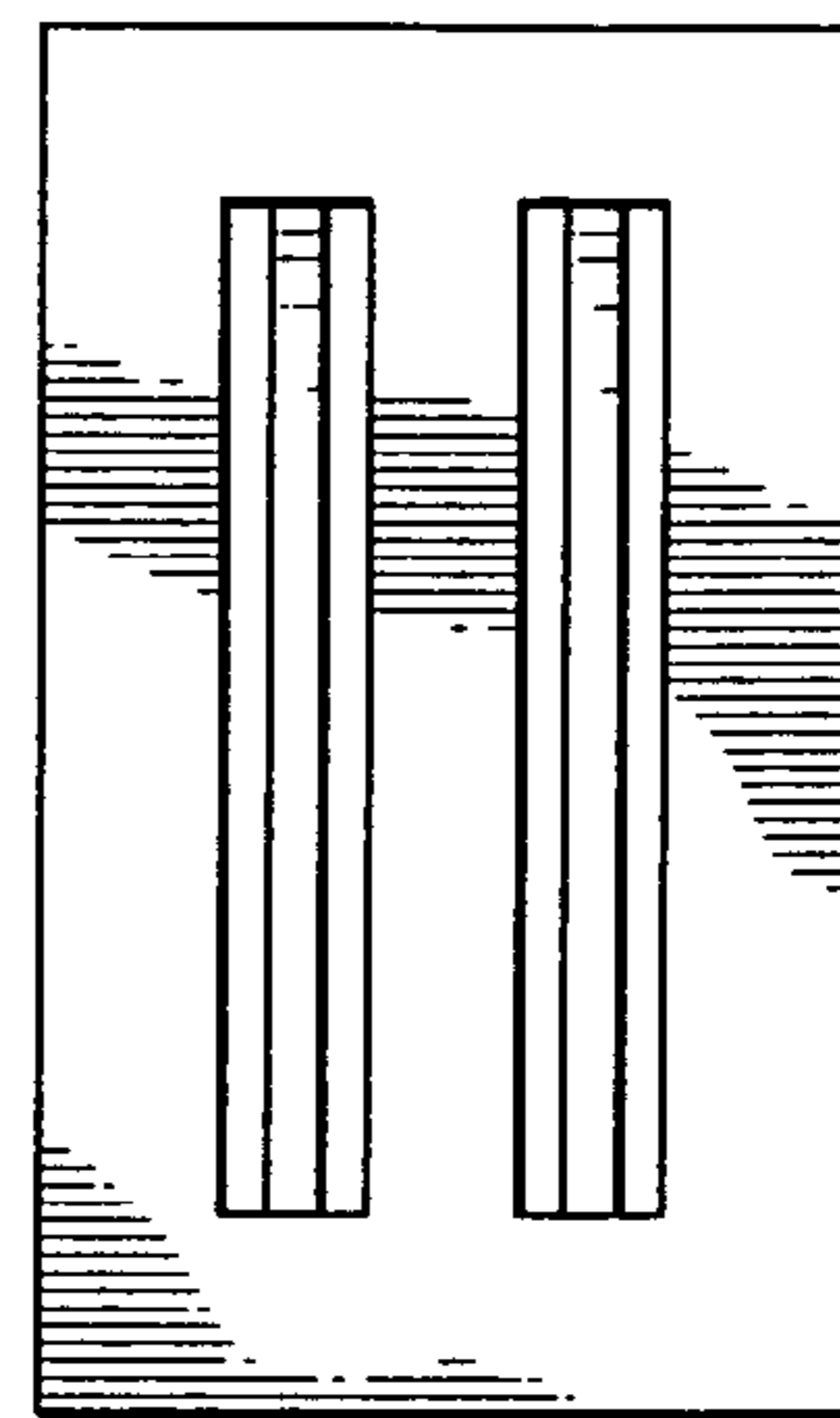


FIG. 3



FIG. 6



FIG. 4

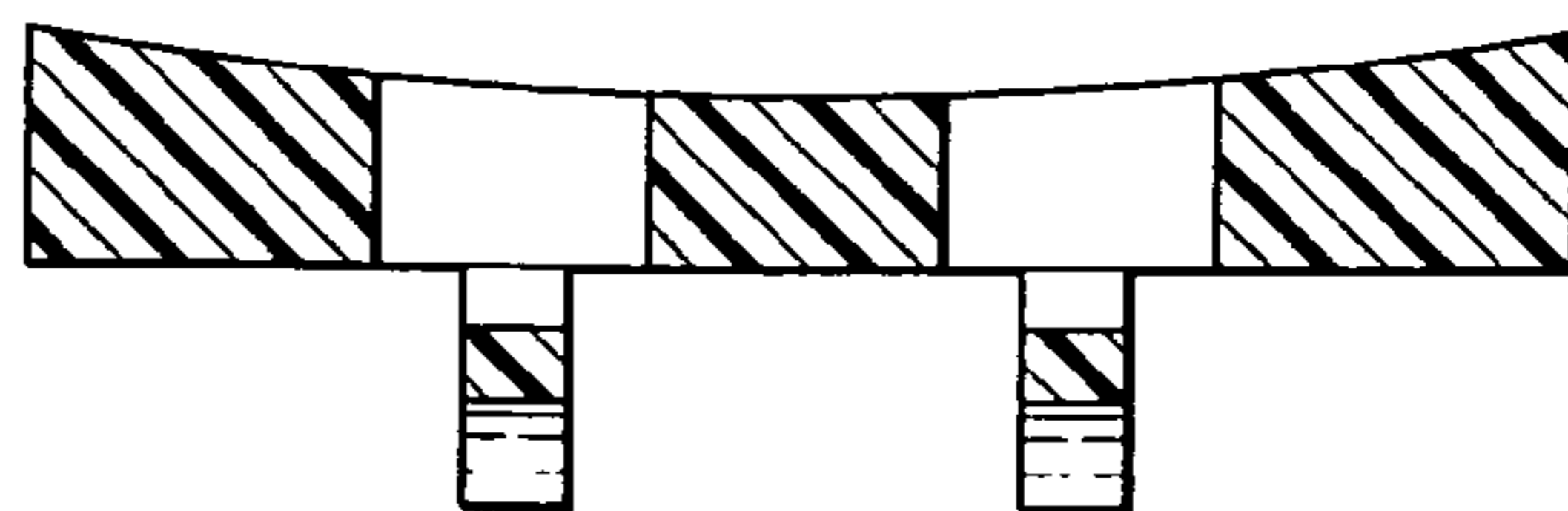


FIG. 5