



US00D618991S

(12) **United States Design Patent**
Heindl

(10) **Patent No.:** **US D618,991 S**

(45) **Date of Patent:** **** Jul. 6, 2010**

(54) **CONNECTING ELEMENT FOR SHEET PILES**

(75) Inventor: **Richard Heindl**, Munich (DE)

(73) Assignee: **Pilepro, LLC**, Rapid City, SD (US)

(**) Term: **14 Years**

(21) Appl. No.: **29/315,255**

(22) Filed: **Jun. 9, 2009**

(51) **LOC (9) Cl.** **08-08**

(52) **U.S. Cl.** **D8/382**

(58) **Field of Classification Search** D8/382,
D8/394, 395; D25/119; 405/279, 278; 24/573.09,
24/346, 370

See application file for complete search history.

(56) **References Cited**

U.S. PATENT DOCUMENTS

1,098,077	A	*	5/1914	Annison	405/279
D479,797	S	*	9/2003	Wall	D8/382
D479,983	S	*	9/2003	Wall	D8/382
D527,248	S	*	8/2006	Heindl et al.	D8/382
D527,249	S	*	8/2006	Heindl et al.	D8/382

D527,619	S	*	9/2006	Heindl et al.	D8/382
D530,190	S	*	10/2006	Wall	D8/382
D541,640	S	*	5/2007	Heindl	D8/382
D542,633	S	*	5/2007	Heindl	D8/382
D543,841	S	*	6/2007	Heindl et al.	D8/382
7,390,145	B2	*	6/2008	Wall	405/278

* cited by examiner

Primary Examiner—Holly H Baynham

Assistant Examiner—Sheryl Lane

(74) *Attorney, Agent, or Firm*—Karl F. Milde, Jr.; Eckert
Seamens Cherin & Mellott, LLC

(57) **CLAIM**

The ornamental design for a connecting element for sheet piles, as shown and described.

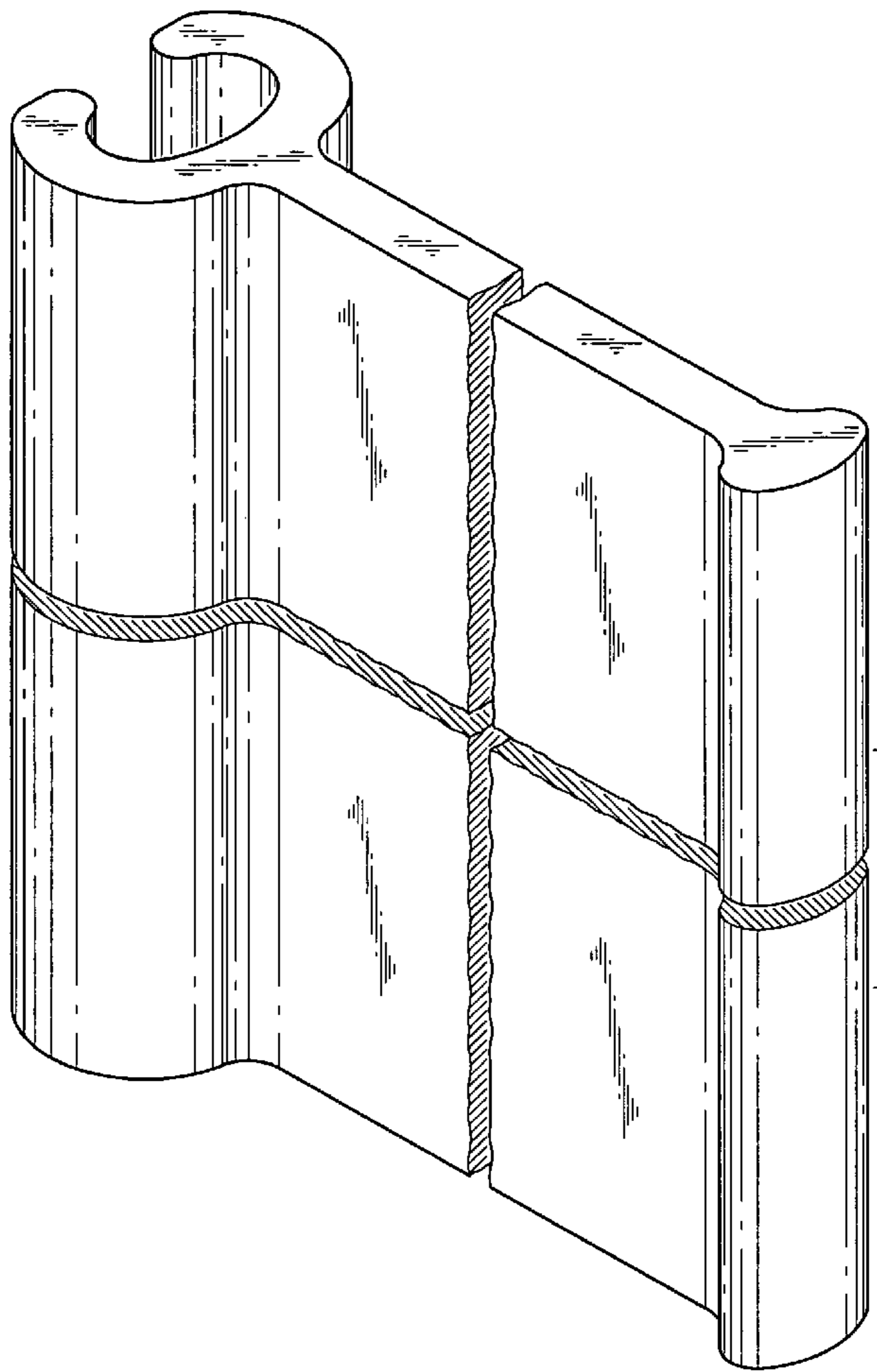
DESCRIPTION

FIG. 1 is a perspective view of the connecting element for sheet piles according to my design; and,

FIG. 2 is an end view of the connecting element of FIG. 1.

The connecting element is shown broken away to indicate an indeterminate length and an indeterminate width.

1 Claim, 1 Drawing Sheet



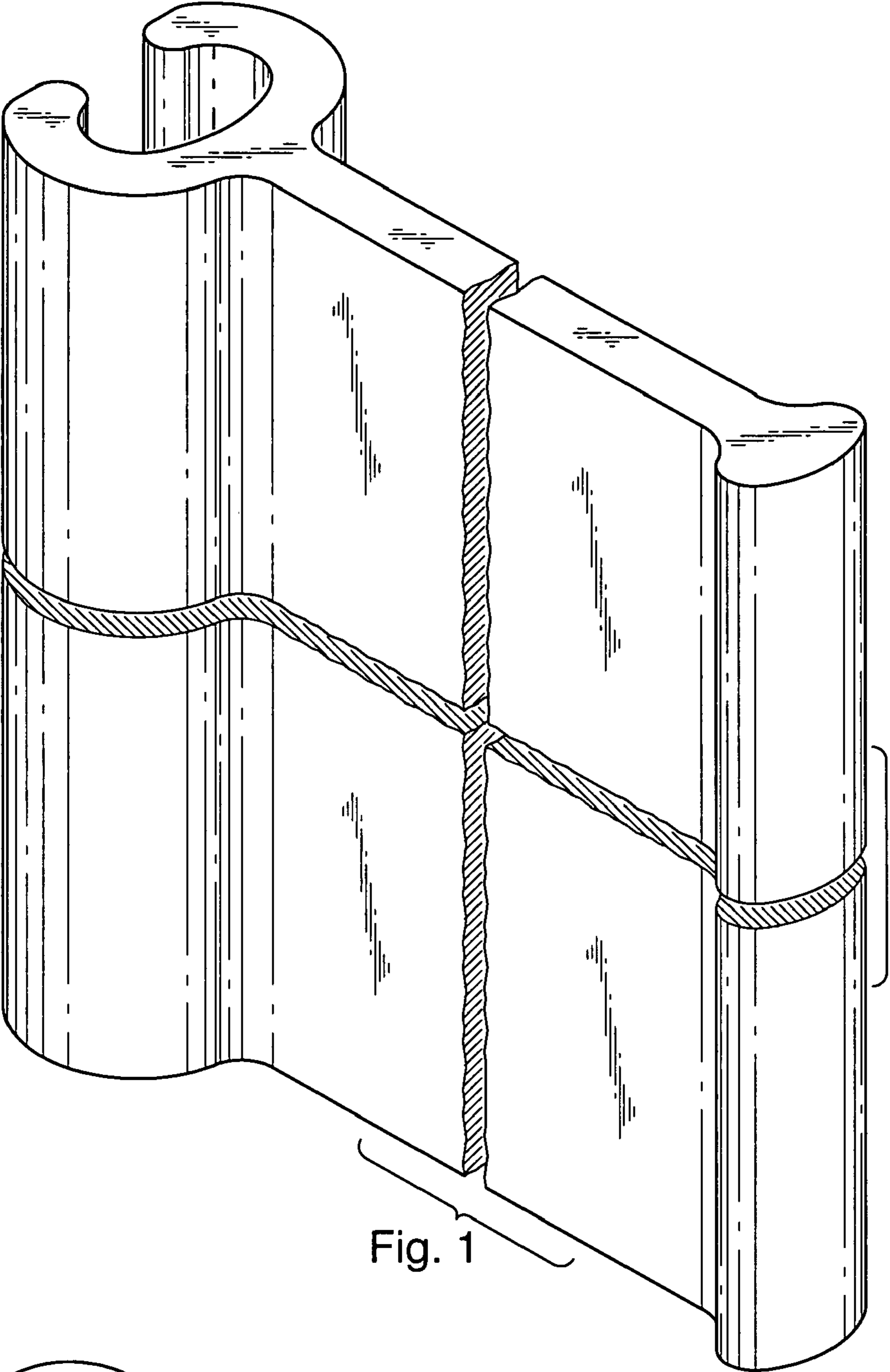


Fig. 1

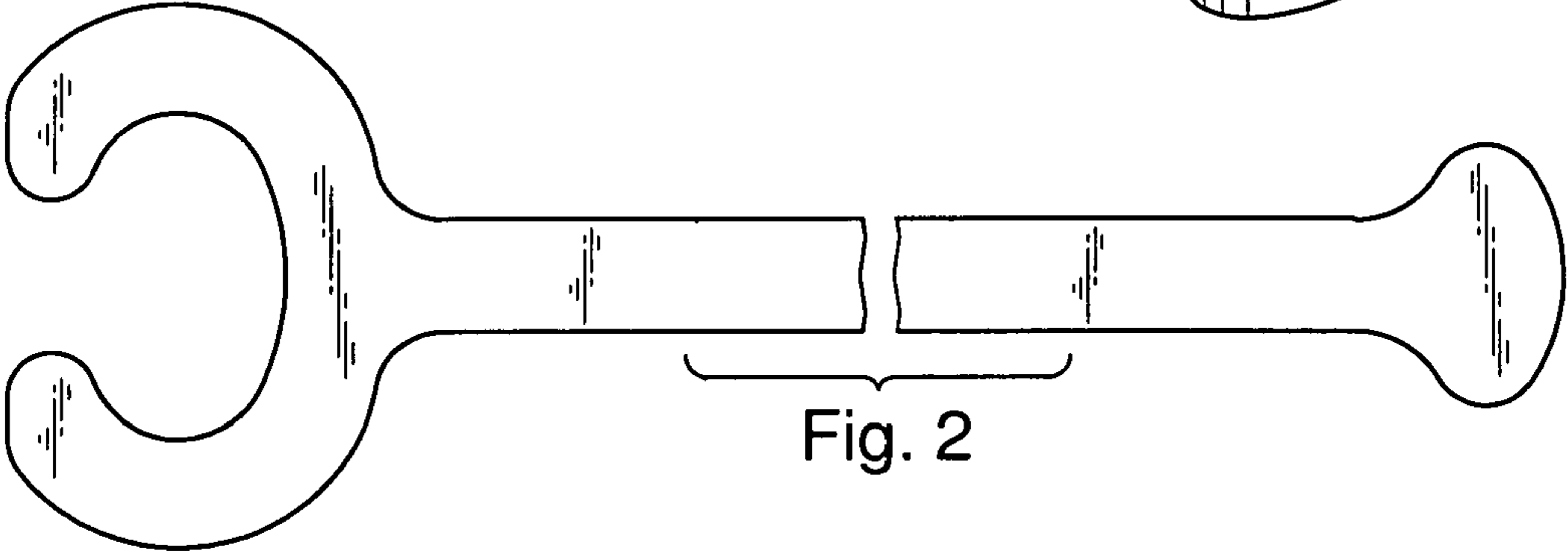


Fig. 2